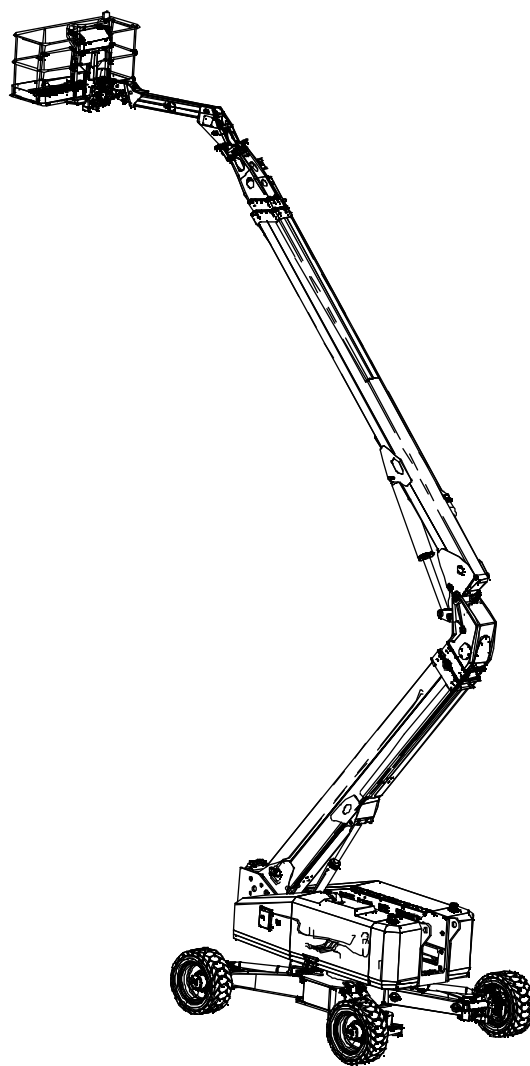


Parts Manual

BA44RT
BA41RT
BA36RT

From SN BART023F00001



Part Number: SM042420111
Version Number: Rev1.0
March 2024 Printing

Version of the Record

Version Number

Create Date

SM042420111_Rev1.0 2024-03

Foreword

We are very appreciated for your interesting with Dingli machine and choosing it for your application. Our priority above all is you can use the machine safely for your application and you can benefit from the Dingli machine mostly. For these reason we hope you can:

1. Comply with employer, job site and local governmental rules.
2. Safeguard your commitment to quality by always using genuine Dingli spare parts. Remember, Dingli cannot accept responsibility for the failure of a separator equipped with non-original spare parts. We guarantee the quality and reliability of our products.
3. All sketch maps of parts shown in this manual are for reference only, it is the practical that counts. This manual includes all the latest information up to the date when it was printed. All responsibilities for the revision and explanation of the manual rest with the Dingli. We also preserve the right to edit the technology characteristic and content of the manual.
4. Anyone who read the manual or used the machine, is encouraged to notify Dingli Machinery Co, Ltd of any errors or send in suggestions for improvement. All communications will be carefully considered for future printings of this and other manuals, certainly if you have any question about the machine, please contact with our team by dialing technical support phone, sending email, or any methods you want, etc. Our contact information as bellow:

If you are in China Mainland, Please contact with:

Zhejiang Dingli Machinery Co.,Ltd. Domestic Office:

Phone: +86 572 8681766
Fax: +86 572 8681700
Email: sales@cndingli.com

If you are out of the China Mainland, Please contact with:

Zhejiang Dingli Machinery Co.,Ltd. International Office:

Phone: +86 572 8681688
Fax: +86 572 8681690
Email: export@cndingli.com

Table of Contents

Section 1 Chassis

1-1	Support Arm Installations (Left Front and Right Rear).....	2
1-2	Tire and Wheel Installations (Left Front and Right Rear).....	5
1-3	Support Arm Accessories Installations (Left Front and Right Rear).....	7
1-4	Support Arm Installations (Right Front and Left Rear).....	9
1-5	Tire and Wheel Installations (Right Front and Left Rear).....	12
1-6	Support Arm Accessories Installations (Right Front and Left Rear).....	14
1-7	Chassis Accessories Installations 1.....	16
1-8	Chassis Accessories Installations 2.....	19
1-9	Steer Manifold.....	21
1-10	Traction Manifold.....	23
1-11	Slewing Ring Installations.....	25
1-12	Chassis Components.....	27

Section 2 Turntable

2-1	Gearmotor Installations.....	30
2-2	Rotary Coupling Installations.....	32
2-3	Hydraulic Tank Installations.....	34
2-4	Function Manifold Installations.....	36
2-5	Relief Valve.....	38
2-6	Function Manifold.....	40
2-7	Emergency Pump Installations.....	42
2-8	Battery Installations.....	44
2-9	Ground Control Box Installations.....	46
2-10	Fuel Tank Installations.....	48
2-11	Engine ECU Installations.....	50
2-12	Engine Support Installations.....	52
2-13	Engine Assembly.....	54
2-14	Engine and Pump Installations.....	56
2-15	Engine Cooling System Installations 1.....	58
2-16	Engine Cooling System Installations 2.....	60
2-17	Engine Cooling System Installations 3.....	62
2-18	Engine Fuel System Installations 1.....	64
2-19	Engine Fuel System Installations 2.....	66
2-20	Engine Suction System Installations (EU V and CHINA IV).....	68

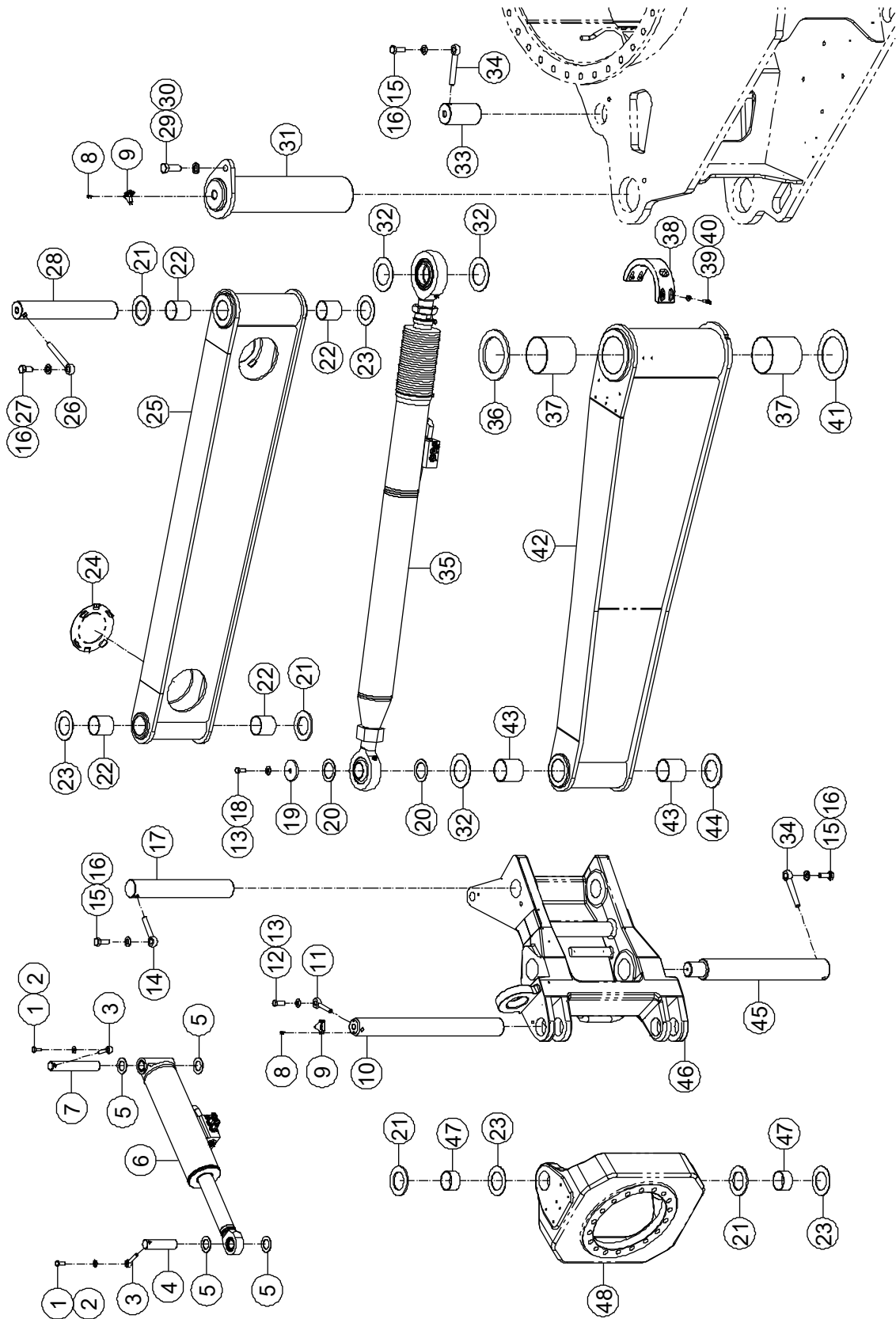
2-21	Engine Exhaust System Installations (EU V and CHINA IV).....	70
2-22	Engine Suction System Installations (CHINA III).....	72
2-23	Engine Exhaust System Installations (CHINA III).....	74
2-24	Hydraulic Cooling System Installations	76
2-25	Turntable Accessories Installations 1.....	78
2-26	Turntable Accessories Installations 2.....	80
2-27	Counterweight Installations	82
2-28	Cover Installations.....	84
2-29	Housing Installations	86
2-30	Grease System Installations	88
2-31	Turntable Hood Installations 1	90
2-32	Turntable Hood Installations 2	92
2-33	Turntable Hood Installations 3	95
2-34	Turntable Hood Installations 4	98
2-35	Turntable Hood Installations 5	101
Section 3 Boom		
3-1	Tower Boom (BA44RT, BA41RT).....	104
3-2	Tower Boom (BA36RT)	106
3-3	Tower Lifting Cylinder Assembly Installations	108
3-4	Tower Base Boom Sliding Block Installations (BA44RT, BA41RT)	110
3-5	Tower Base Boom Sliding Block Installations (BA36RT).....	112
3-6	Tower Second Boom Sliding Block Installations (BA44RT, BA41RT)	114
3-7	Tower Second Boom Sliding Block Installations (BA36RT).....	116
3-8	Tower Second Boom Sliding Block Installations (BA44RT, BA41RT)	118
3-9	Tower Boom Shield Installations (BA44RT, BA41RT).....	120
3-10	Tower Boom Shield Installations (BA36RT)	122
3-11	Tower Telescopic Cylinder Assembly Installations (BA44RT, BA41RT).....	124
3-12	Tower Telescopic Cylinder Assembly Installations (BA36RT)	128
3-13	Sequence Manifold	130
3-14	Tower Boom Carrier System Installations (BA44RT, BA41RT)	132
3-15	Tower Boom Carrier System Installations (BA36RT).....	135
3-16	Tower Boom Accessories Installations.....	138
3-17	Main Lifting Cylinder Assembly Installations	141
3-18	Main Telescopic Boom (BA44RT).....	143
3-19	Main Telescopic Boom (BA41RT, BA36RT)	145
3-20	Base Boom Sliding Block Installations (BA44RT)	147

3-21	Base Boom Sliding Block Installations (BA41RT)	149
3-22	Base Boom Sliding Block Installations (BA36RT)	151
3-23	Second Boom Sliding Block Installations (BA44RT)	153
3-24	Second Boom Sliding Block Installations (BA41RT)	155
3-25	Second Boom Sliding Block Installations (BA36RT)	157
3-26	Third Boom Sliding Block Installations (BA44RT)	159
3-27	Boom Shield Installations (BA44RT).....	161
3-28	Boom Shield Installations (BA41RT, BA36RT).....	163
3-29	Main Telescopic System Installations (BA44RT).....	165
3-30	Main Telescopic System Installations (BA41RT, BA36RT)	168
3-31	Main Telescopic Cylinder Assembly Accessories Installations 1 (BA44RT)	170
3-32	Main Telescopic Cylinder Assembly Accessories Installations 2 (BA44RT)	173
3-33	Carrier System Installations 1 (BA44RT)	175
3-34	Carrier System Installations 1 (BA41RT, BA36RT).....	177
3-35	Carrier System Installations 2.....	179
3-36	JIB Lifting Cylinder Assembly Installations	181
3-37	Telescopic Boom and Linkage Installations	184
3-38	Telescopic Boom and JIB Installations.....	186
3-39	JIB Accessories Installations	188
3-40	Valve Block	190
3-41	Leveling Cylinder Assembly Installations	192
3-42	Jib and Linkage Installations	194
3-43	Rotate Cylinder Assembly Installations	196
Section 4 Platform		
4-1	Rotate Cylinder Assembly And Support Installations.....	199
4-2	Support Installations.....	201
4-3	Platform Installations	203
4-4	Platform Assembly	205
4-5	Gate Assembly	207
4-6	Gate Assembly	209
4-7	Lift Guard Contact Alarm	211
Section 5 Cylinder		
5-1	Steer Cylinder Assembly	214
5-2	Axle Extend Cylinder Assembly	216
5-3	Tower Lifting Cylinder Assembly	218
5-4	Tower First Stage Telescopic Cylinder Assembly (BA44RT, BA41RT).....	220
5-5	Tower Second Stage Telescopic Cylinder Assembly (BA44RT, BA41RT).....	222

5-6	Tower Telescopic Cylinder Assembly (BA36RT).....	224
5-7	Main Lifting Cylinder Assembly.....	226
5-8	Main Telescopic Cylinder Assembly (BA44RT).....	228
5-9	Main Telescopic Cylinder Assembly (BA41RT, BA36RT).....	230
5-10	JIB Lifting Cylinder Assembly.....	232
5-11	Leveling Cylinder Assembly.....	234
5-12	Counterbalance Valve (Tower Lifting).....	236
5-13	Counterbalance Valve (Tower Telescopic).....	238
5-14	Counterbalance Valve (Main Lifting).....	240
5-15	Counterbalance Valve (Main Telescopic).....	242
Section 6 Hydraulic System		
6-1	Chassis Circuit 1.....	245
6-2	Chassis Circuit 2.....	248
6-3	Turntable Circuit 1.....	250
6-4	Turntable Circuit 2.....	255
6-5	Telescopic Boom Circuit (BA44RT, BA41RT).....	259
6-6	Telescopic Boom Circuit (BA36RT).....	262
6-7	JIB Circuit.....	265
Section 7 Electrical System		
7-1	Electrical Harness.....	268
7-2	Fuse Holder Assembly.....	273
7-3	Power Distribution Module.....	275
7-4	Ground Control Box Assembly.....	277
7-5	Platform Control Box Assembly.....	279
Section 8 Decals		
8-1	Decals Installations.....	283
Section 9 Special Options		
9-1	Air Shutoff Valve Installations.....	290
9-2	Air Intake Flame Trap Installations.....	292
9-3	Hydraulic Generator Assembly.....	294
9-4	Control Valve Block.....	297
9-5	Platform Accessories 1.....	299
9-6	Platform Accessories 2.....	301
9-7	Anti-collision Device Installations 1.....	303
9-8	Anti-collision Device Installations 2.....	305

Section 1 Chassis

1-1 Support Arm Installations (Left Front and Right Rear)



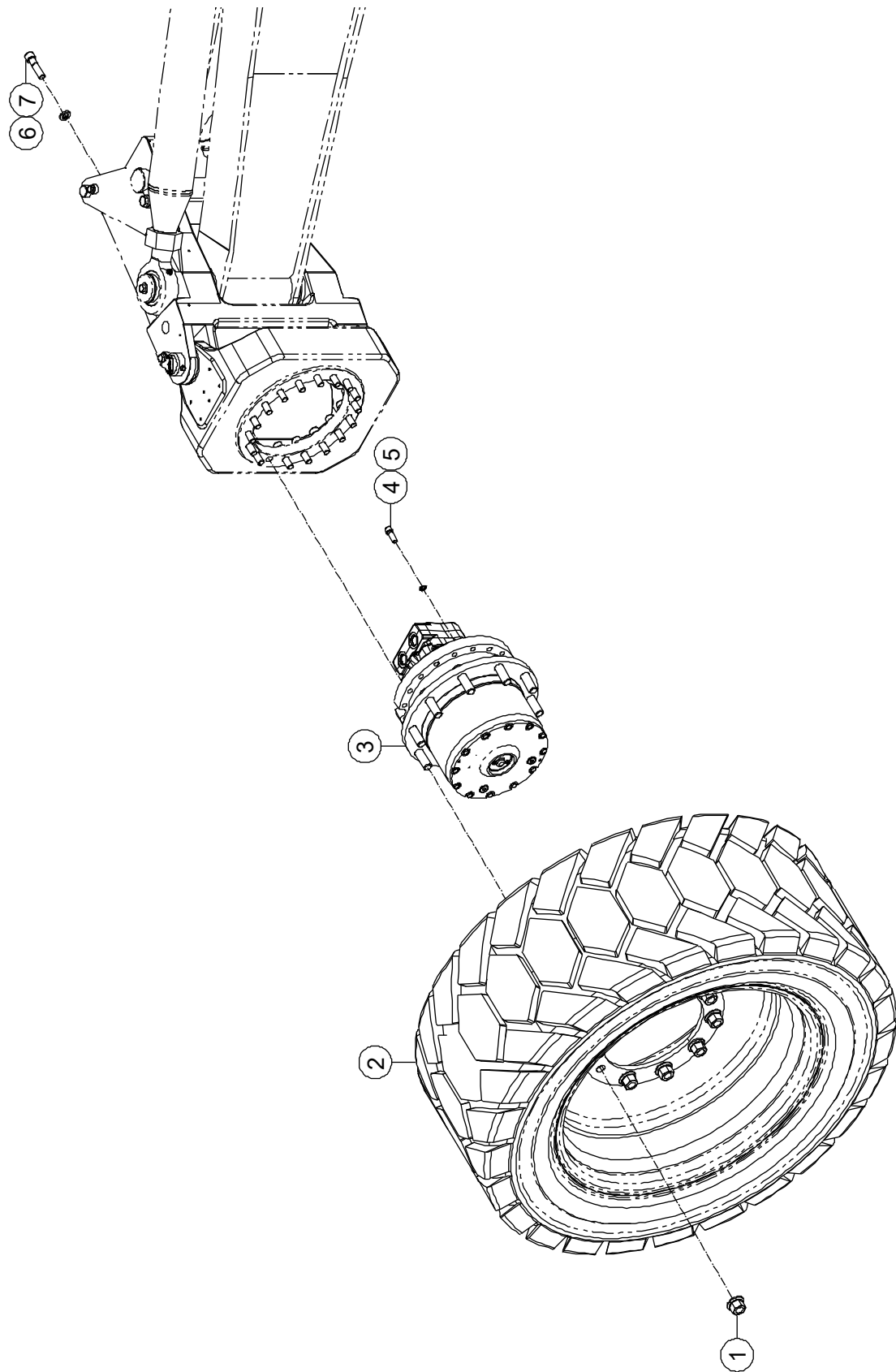
1-1 Support Arm Installations (Left Front and Right Rear)

Item	Part Number	Description	Qty.	Remark
1	00000678	Bolt GB/T 5783 M10 × 25	4	
2	93000016	Spring Washer Φ10.2	4	
3	00000219	8902-10060 Pin,Lock	4	
4	93301095	Pin	2	
5	93000595	Washer, Thrust	8	
6		Steer Cylinder Assembly (<i>Refer to 5-1</i>)	2	
7	93301082	Pin	2	
8	00001054	Screw GB/T 70 M4 × 12	8	
9	93300021	Angle Sensor	4	
10	93000160	Pin	2	
11	00002464	8902-12085 Pin,Lock	2	
12	00002046	Bolt GB/T 5783 M12 × 35	2	
13	93000017	Spring Washer Φ12.4	4	
14	00000222	8902-16095 Pin,Lock	2	
15	00001161	Bolt GB/T 5783 M16 × 40	6	
16	93305316	Spring Washer Φ16.4	8	
17	93301090	Pin	2	
18	00000816	Bolt GB/T 5783 M12 × 25	2	
19	93300431	Cover	2	
20	93000596	Washer, Thrust	4	
21	93000600	Washer, Thrust	8	
22	93300423	8813-606560 Sleeve Bearing	8	
23	93000597	Washer, Thrust	8	
24	93000391	Cover	4	
25	93200546	Parallel Guider	2	
26	00000224	8902-16150 Pin,Lock	2	
27	00009115	Bolt GB/T 5783 M16 × 35	2	
28	93301070	Pin	2	
29	00002734	Bolt GB/T 5783 M20 × 55	2	

1-1 Support Arm Installations (Left Front and Right Rear) (Continued)

Item	Part Number	Description	Qty.	Remark
30	00001103	Flat Washer 20 JB/ZQ 4080-2006	2	
31	93000837	Pin	2	
32	93000598	Washer, Thrust	6	
33	93301069	Pin	2	
34	00000223	8902-16120 Pin,Lock	4	
35		Axle Extend Cylinder Assembly (<i>Refer to 5-2</i>)	2	
36	93000602	Washer, Thrust	2	
37	93300223	8813-120125120 Sleeve Bearing	4	
38	93000450	Support	2	
39	00002555	Screw GB/T 70 M8 × 25	8	
40	93000015	Spring Washer Φ8.2	8	
41	93000599	Washer, Thrust	2	
42	93200553	Support Arm	2	
43	93300224	8813-707570 Sleeve Bearing	4	
44	93000601	Washer, Thrust	2	
45	93301091	Pin	2	
46	93200542	Axle Pivot	2	
47	93300424	8813-606535 Sleeve Bearing	4	
48	93000605	Knuckle	2	

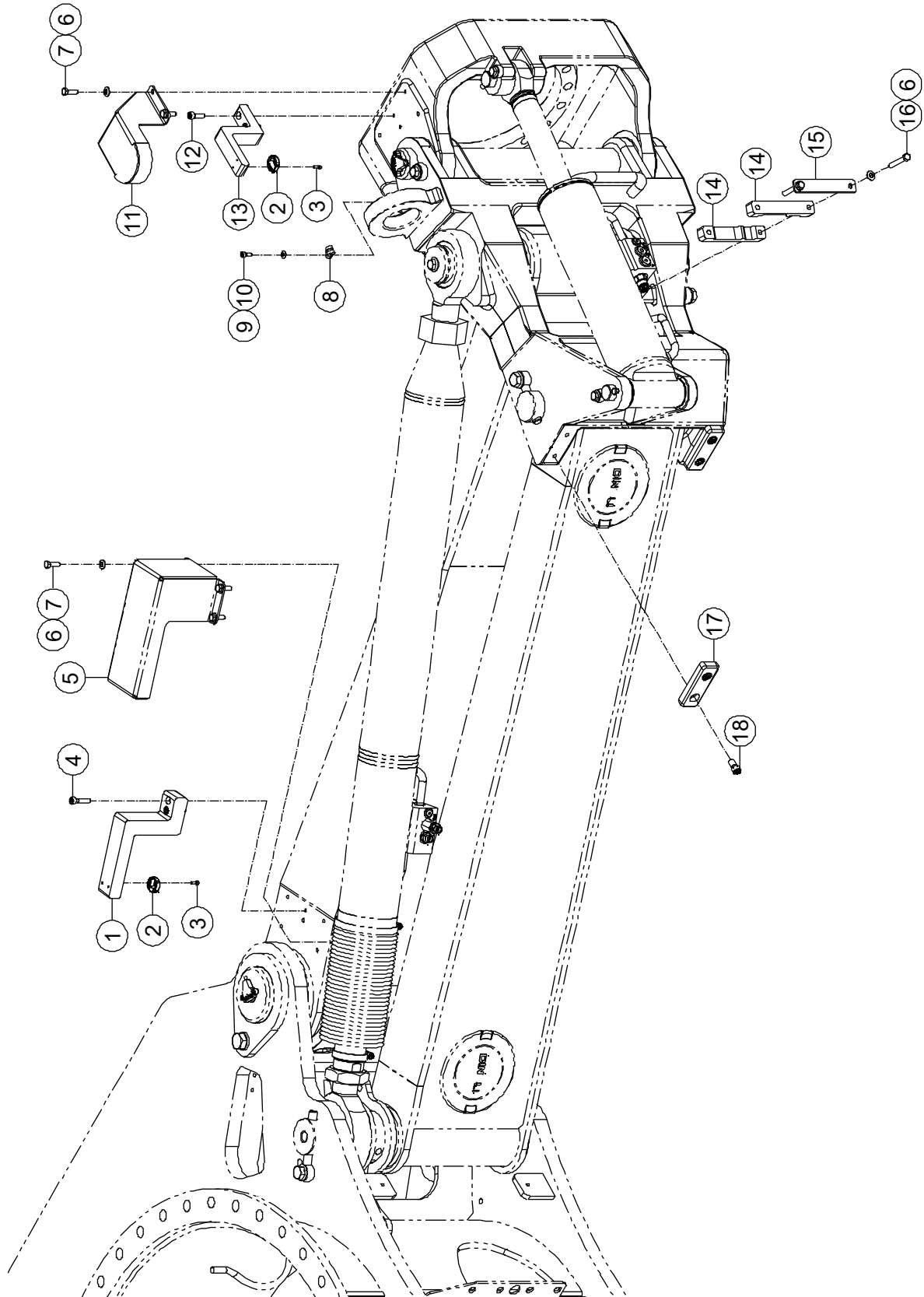
1-2 Tire and Wheel Installations (Left Front and Right Rear)



1-2 Tire and Wheel Installations (Left Front and Right Rear)

Item	Part Number	Description	Qty.	Remark
1	00002650	Nut M22×1.5	20	
2	93300174	Tire and Wheel Assembly (Left Side)	2	
3	93200207	Brake and Motor Assembly	2	
--	93000389	Motor	1	
--	93000390	Brake	1	
4	00006425	Screw GB/T 70 M12 × 35	4	
5	93305787	Spring Washer Φ12.4	4	
6	00001102	Flat Washer 16 JB/ZQ 4080-2006	36	
7	00006808	Screw GB/T 70 M16 × 65	36	

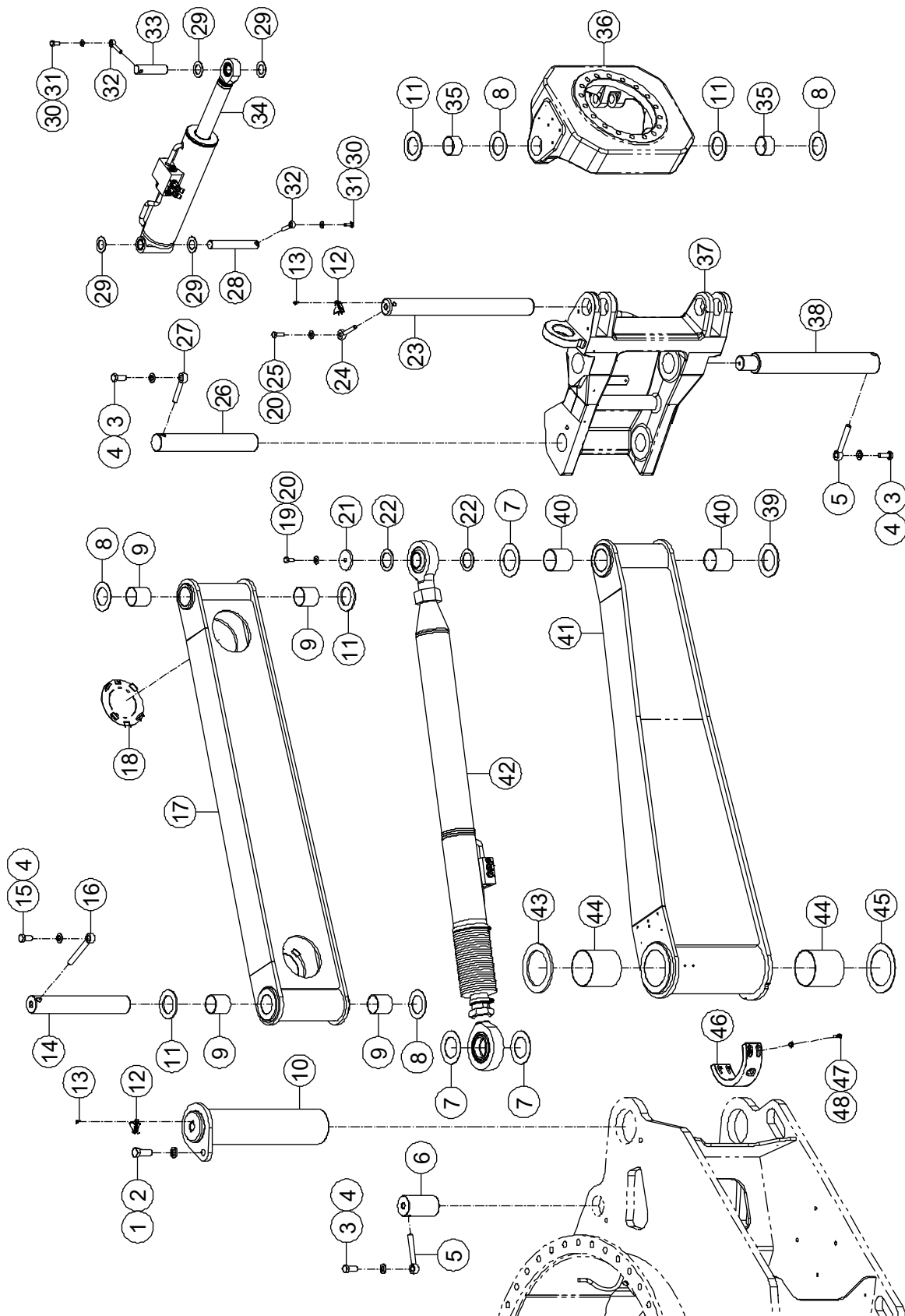
1-3 Support Arm Accessories Installations (Left Front and Right Rear)



1-3 Support Arm Accessories Installations (Left Front and Right Rear)

Item	Part Number	Description	Qty.	Remark
1	93301086	Bracket	2	
2	93300156	Angle Sensor Actuator	4	
3	00001054	Screw GB/T 70 M4 × 12	8	
4	00002062	Screw GB/T 70 M8 × 35	4	
5	93301088	Housing	2	
6	93000015	Spring Washer Φ8.2	20	
7	00000993	Bolt GB/T 5783 M8 × 25	16	
8	93000291	Clamp	8	
9	93000014	Spring Washer Φ6.1	8	
10	00000876	Screw GB/T 70 M6 × 16	8	
11	93000840	Housing	2	
12	00002555	Screw GB/T 70 M8 × 25	4	
13	93300426	Bracket	2	
14	93000152	Clamp	4	
15	93000153	Plate	2	
16	00002507	Bolt GB/T 5783 M8 × 55	4	
17	93300432	Spacer	4	
18	00002249	Screw GB/T 70 M10 × 20	8	

1-4 Support Arm Installations (Right Front and Left Rear)



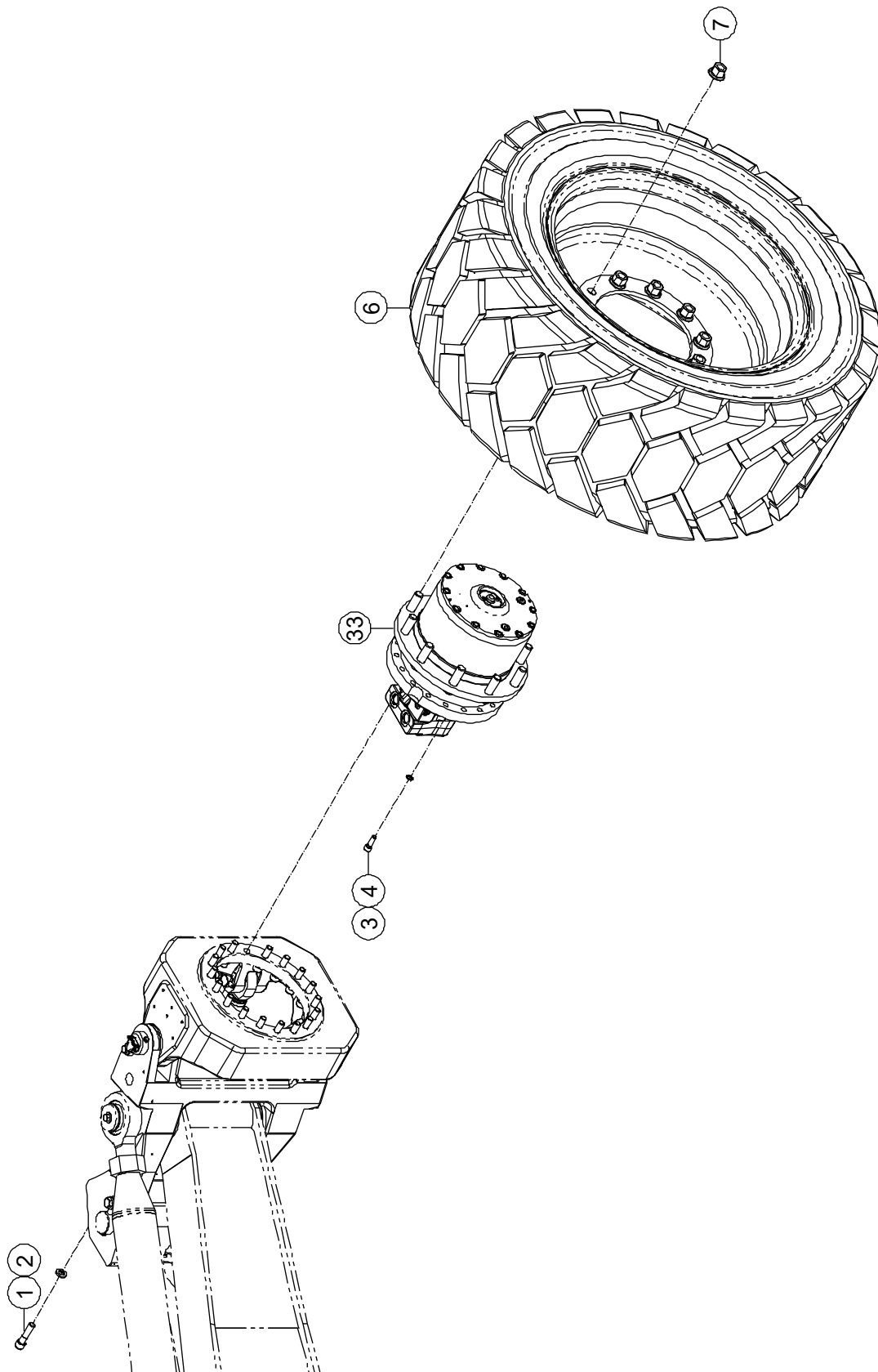
1-4 Support Arm Installations (Right Front and Left Rear)

Item	Part Number	Description	Qty.	Remark
1	00001103	Flat Washer 20 JB/ZQ 4080-2006	2	
2	00002734	Bolt GB/T 5783 M20 × 55	2	
3	00001161	Bolt GB/T 5783 M16 × 40	6	
4	93305316	Spring Washer Φ16.4	8	
5	00000223	8902-16120 Pin, Lock	4	
6	93301069	Pin	2	
7	93000598	Washer, Thrust	6	
8	93000597	Washer, Thrust	8	
9	93300423	8813-606560 Sleeve Bearing	8	
10	93000837	Pin	2	
11	93000600	Washer, Thrust	8	
12	93300021	Angle Sensor	4	
13	00001054	Screw GB/T 70 M4 × 12	8	
14	93301070	Pin	2	
15	00009115	Bolt GB/T 5783 M16 × 35	2	
16	00000224	8902-16150 Pin, Lock	2	
17	93200546	Parallel Guider	2	
18	93000391	Cover	4	
19	00000816	Bolt GB/T 5783 M12 × 25	2	
20	93000017	Spring Washer Φ12.4	4	
21	93300431	Cover	2	
22	93000596	Washer, Thrust	4	
23	93000160	Pin	2	
24	00002464	8902-12085 Pin, Lock	2	
25	00002046	Bolt GB/T 5783 M12 × 35	2	
26	93301090	Pin	2	
27	00000222	8902-16095 Pin, Lock	2	
28	93301082	Pin	2	
29	93000595	Washer, Thrust	8	

1-4 Support Arm Installations (Right Front and Left Rear) (Continued)

Item	Part Number	Description	Qty.	Remark
30	93000016	Spring Washer Φ 10.2	4	
31	00000678	Bolt GB/T 5783 M10 \times 25	4	
32	00000219	8902-10060 Pin, Lock	4	
33	93301095	Pin	2	
34		Steer Cylinder Assembly (<i>Refer to 5-1</i>)	2	
35	93300424	8813-606535 Sleeve Bearing	4	
36	93000603	Knuckle	2	
37	93200541	Axle Pivot	2	
38	93301091	Pin	2	
39	93000601	Washer, Thrust	2	
40	93300224	8813-707570 Sleeve Bearing	4	
41	93200553	Support Arm	2	
42		Axle Extend Cylinder Assembly (<i>Refer to 5-2</i>)	2	
43	93000602	Washer, Thrust	2	
44	93300223	8813-120125120 Sleeve Bearing	4	
45	93000599	Washer, Thrust	2	
46	93000450	Support	2	
47	00002555	Screw GB/T 70 M8 \times 25	8	
48	93000015	Spring Washer Φ 8.2	8	

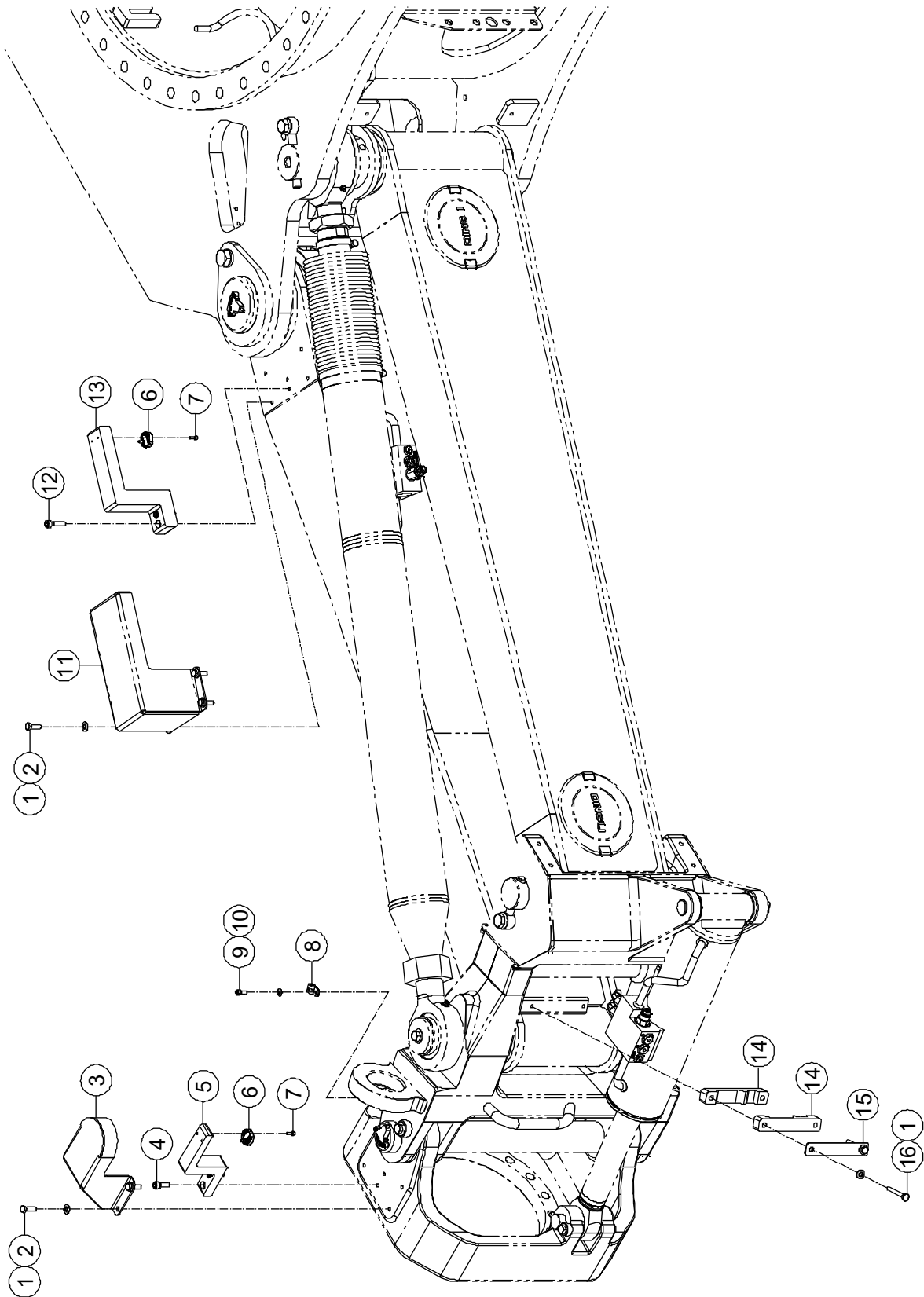
1-5 Tire and Wheel Installations (Right Front and Left Rear)



1-5 Tire and Wheel Installations (Right Front and Left Rear)

Item	Part Number	Description	Qty.	Remark
1	00006808	Screw GB/T 70 M16 × 65	36	
2	00001102	Flat Washer 16 JB/ZQ 4080-2006	36	
3	93305787	Spring Washer Φ12.4	4	
4	00006425	Screw GB/T 70 M12 × 35	4	
5	93200207	Brake and Motor Assembly	2	
--	93000389	Motor	1	
--	93000390	Brake	1	
6	93300175	Tire and Wheel Assembly (Right Side)	2	
7	00002650	Nut M22×1.5	20	

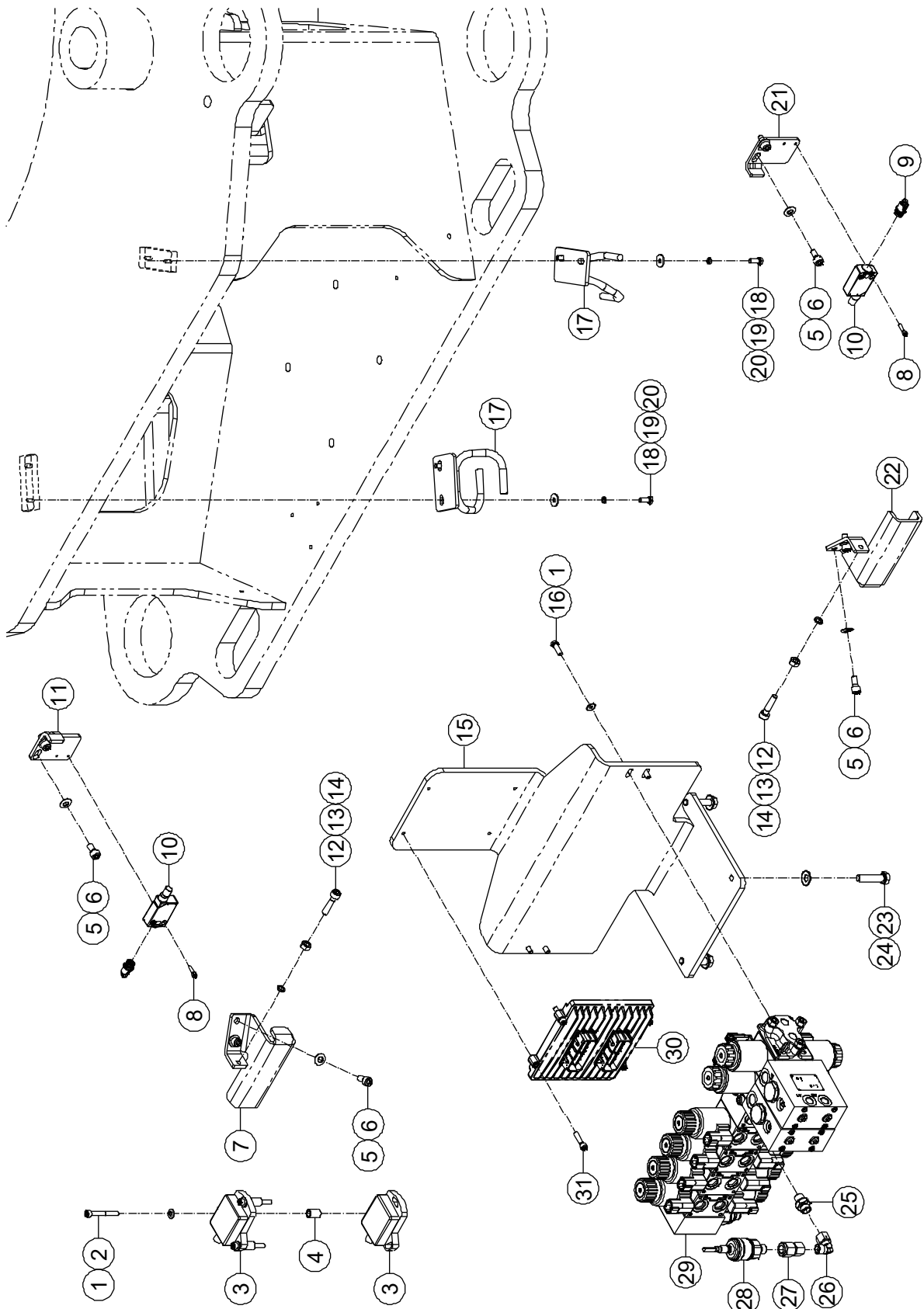
1-6 Support Arm Accessories Installations (Right Front and Left Rear)



1-6 Support Arm Accessories Installations (Right Front and Left Rear)

Item	Part Number	Description	Qty.	Remark
1	93000015	Spring Washer $\Phi 8.2$	20	
2	00000993	Bolt GB/T 5783 M8 \times 25	16	
3	93000840	Housing	2	
4	00002555	Screw GB/T 70 M8 \times 25	4	
5	93300426	Bracket	2	
6	93300156	Angle Sensor Actuator	4	
7	00001054	Screw GB/T 70 M4 \times 12	8	
8	93000291	Clamp	8	
9	00000876	Screw GB/T 70 M6 \times 16	8	
10	93000014	Spring Washer $\Phi 6.1$	8	
11	93301088	Housing	2	
12	00002062	Screw GB/T 70 M8 \times 35	4	
13	93301086	Bracket	2	
14	93000152	Clamp	4	
15	93000153	Plate	2	
16	00002507	Bolt GB/T 5783 M8 \times 55	4	

1-7 Chassis Accessories Installations 1



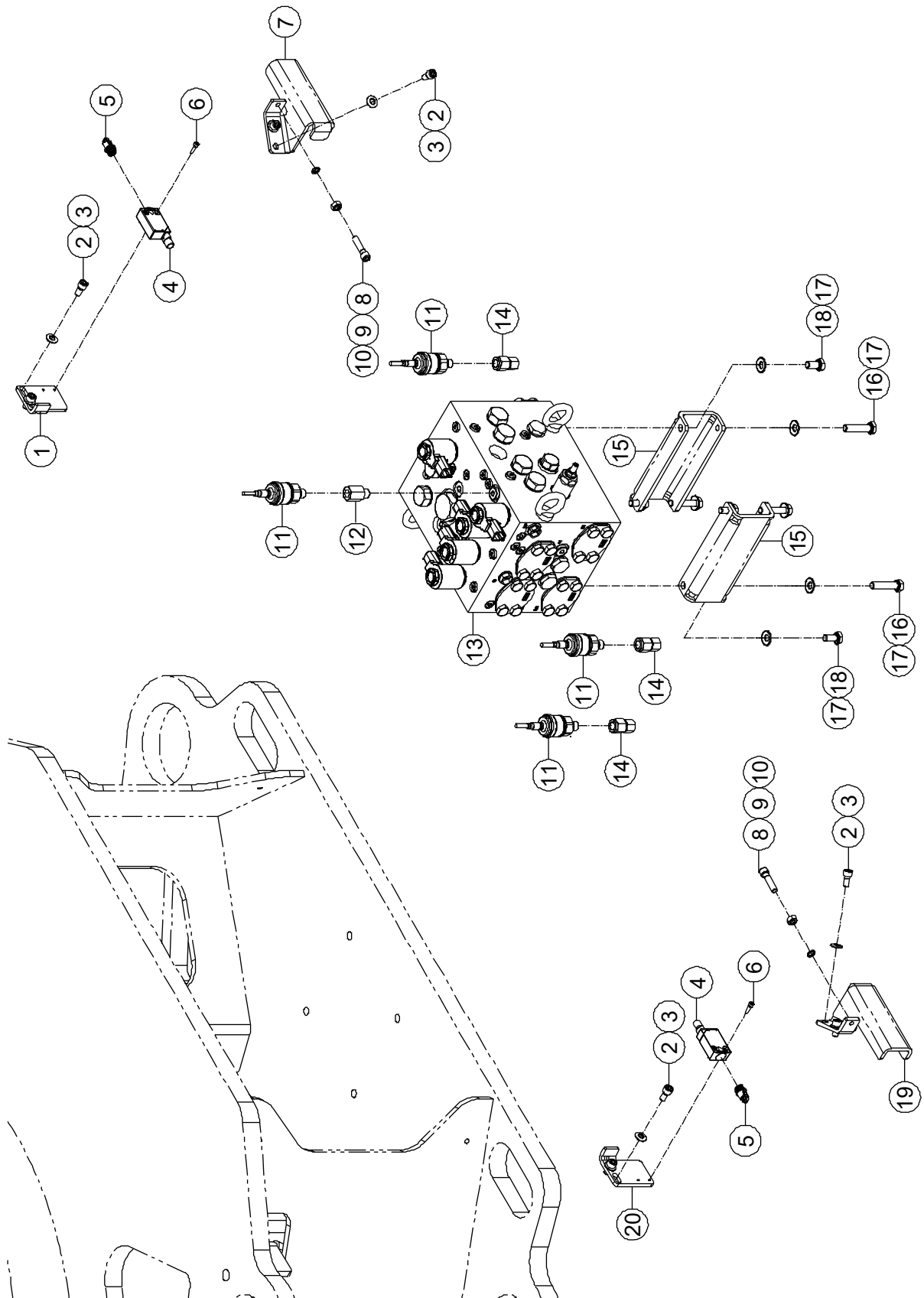
1-7 Chassis Accessories Installations 1

Item	Part Number	Description	Qty.	Remark
1	93000014	Spring Washer $\Phi 6.1$	7	
2	00005201	Screw GB/T 70 M6 \times 50	3	
3	00002610	Tilt Sensor	2	
4	93300913	Spacer	3	
5	93000015	Spring Washer $\Phi 8.2$	8	
6	00002051	Screw GB/T 70 M8 \times 16	8	
7	93301087	Housing	1	
8	00000604	Screw GB/T 70.1 M4 \times 16	4	
9	93300032	Limit Switch Actuator	2	
10	93300007	Limit Switch	2	
11	93300343	Bracket, Limit Switch	1	
12	00002062	Screw GB/T 70 M8 \times 35	2	
13	00000610	Nut GB/T 6170 M8	2	
14	93305785	Spring Washer $\Phi 8.2$	2	
15	93300344	Bracket	1	
16	00000743	Bolt GB/T 5783 M6 \times 20	4	
17	92049063	Support Tubes	2	
18	00000818	Bolt GB/T 5783 M6 \times 16	4	
19	00000621	Spring Washer GB/T 93 6	4	
20	00002583	Flat Washer GB/T 96.1 6	4	
21	93300347	Bracket, Limit Switch	1	
22	93301089	Housing	1	
23	00002411	Bolt GB/T 5783 M10 \times 45	4	
24	93000016	Spring Washer $\Phi 10.2$	4	
25	00001316	Fitting, Straight	1	
26	00001832	Fitting, 90°	1	
27	00006016	Fitting, Straight	1	
28	93300854	Pressure Sensor	1	
29	00012961	Steer Manifold (Refer to 1-9)	1	

1-7 Chassis Accessories Installations 1 (Continued)

Item	Part Number	Description	Qty.	Remark
30	00008699	Control	1	
31	00001034	Screw GB/T 70 M6 × 25	4	

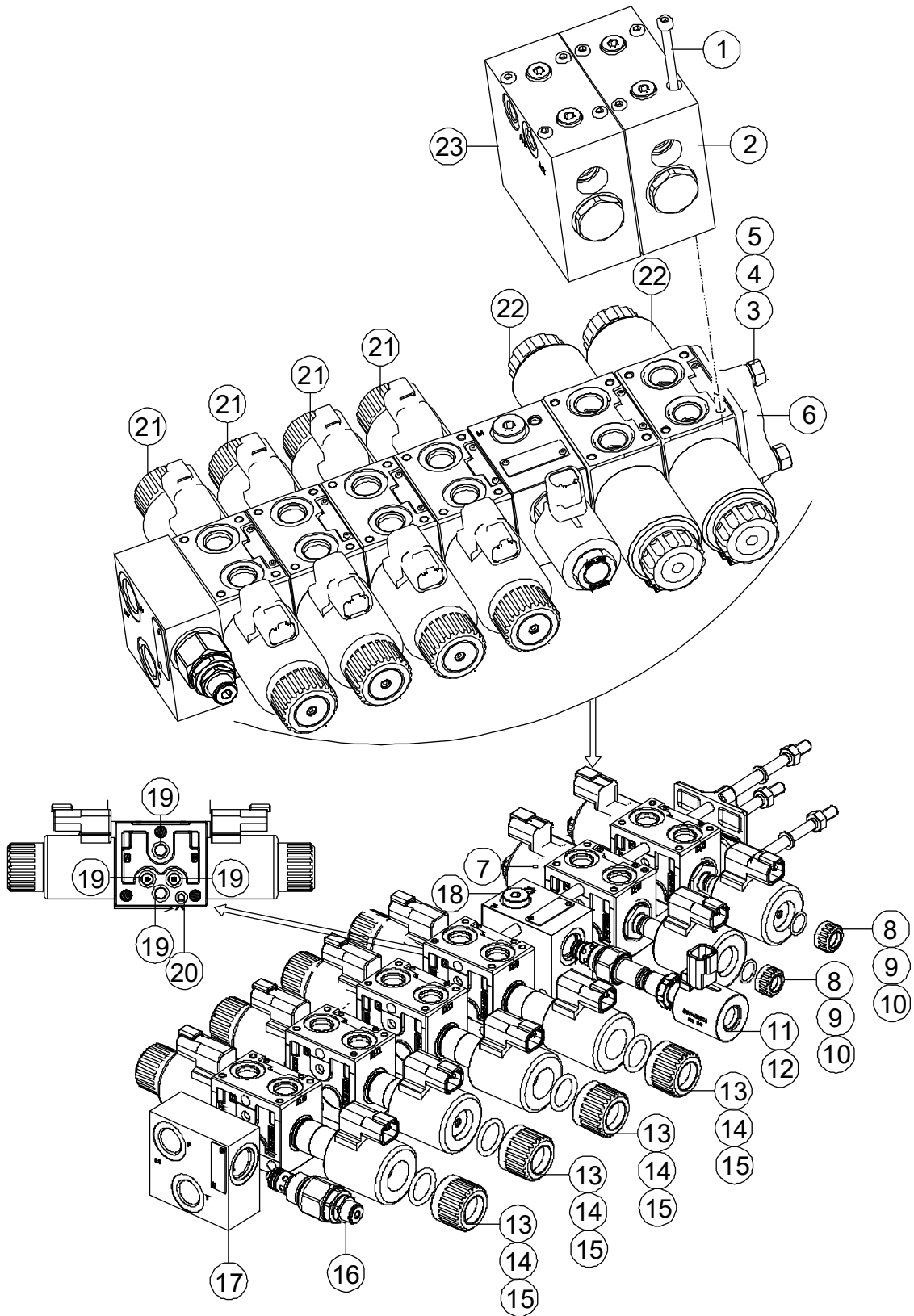
1-8 Chassis Accessories Installations 2



1-8 Chassis Accessories Installations 2

Item	Part Number	Description	Qty.	Remark
1	93300347	Bracket, Limit Switch	1	
2	00002051	Screw GB/T 70 M8 × 16	8	
3	93000015	Spring Washer Φ8.2	8	
4	93300007	Limit Switch	2	
5	93300032	Limit Switch Actuator	2	
6	00000604	Screw GB/T 70.1 M4×16	4	
7	93301089	Housing	1	
8	00002062	Screw GB/T 70 M8 × 35	2	
9	00000610	Nut GB/T 6170 M8	2	
10	93305785	Spring Washer Φ8.2	2	
11	93300854	Pressure Sensor	4	
12	92048451	Fitting, Straight	1	
13	93200037	Traction Manifold (<i>Refer to 1-10</i>)	1	
14	00006016	Fitting, Straight	3	
15	93300345	Support	2	
16	00002411	Bolt GB/T 5783 M10 × 45	4	
17	93000016	Spring Washer Φ10.2	8	
18	00000674	Bolt GB/T 5783 M10 × 20	4	
19	93301087	Housing	1	
20	93300343	Bracket, Limit Switch	1	

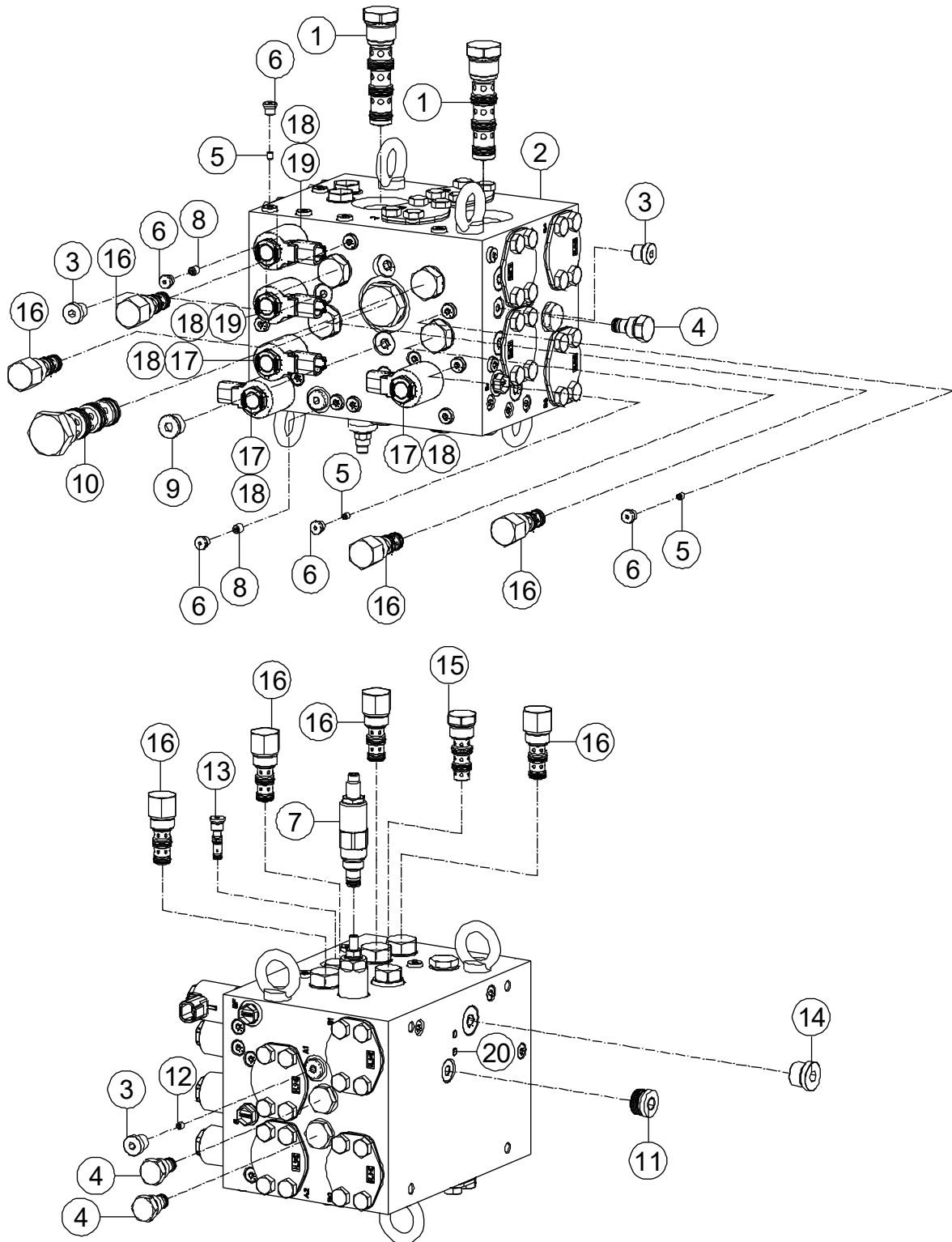
1-9 Steer Manifold



1-9 Steer Manifold

Item	Part Number	Description	Qty.	Remark
1	00012548	Screw	8	
2	00012547	Valve, Flow Divider/Combiners	1	
3	00011547	Lock-Washer	3	
4	00011548	Tie-Rod	3	
5	00011546	Nut	3	
6	00011518	Cover	1	
7	00011524	Orifice $\Phi 2.0$	1	
8	00011523	Nut	4	
9	00011538	Seal	4	
10	00012549	Coil	4	
11	00011506	Coil	1	
12	00011582	Cartridge, Solenoid Valve	1	
13	00011554	Nut	8	
14	00011557	Seal	8	
15	00011504	Coil	8	
16	00011491	Cartridge, Relief Valve	1	
17	00011507	Body	1	
18	00011520	Cuting Unit, Steefing and Extension/Retracion	1	
19	00011556	Seal	28	
20	00011555	Seal	8	
21	00011521	Work Unit, Steering	4	
22	00011519	Work Unit, Extension/Retraction	2	
23	00012546	Valve, Flow Divider/Combiners	1	

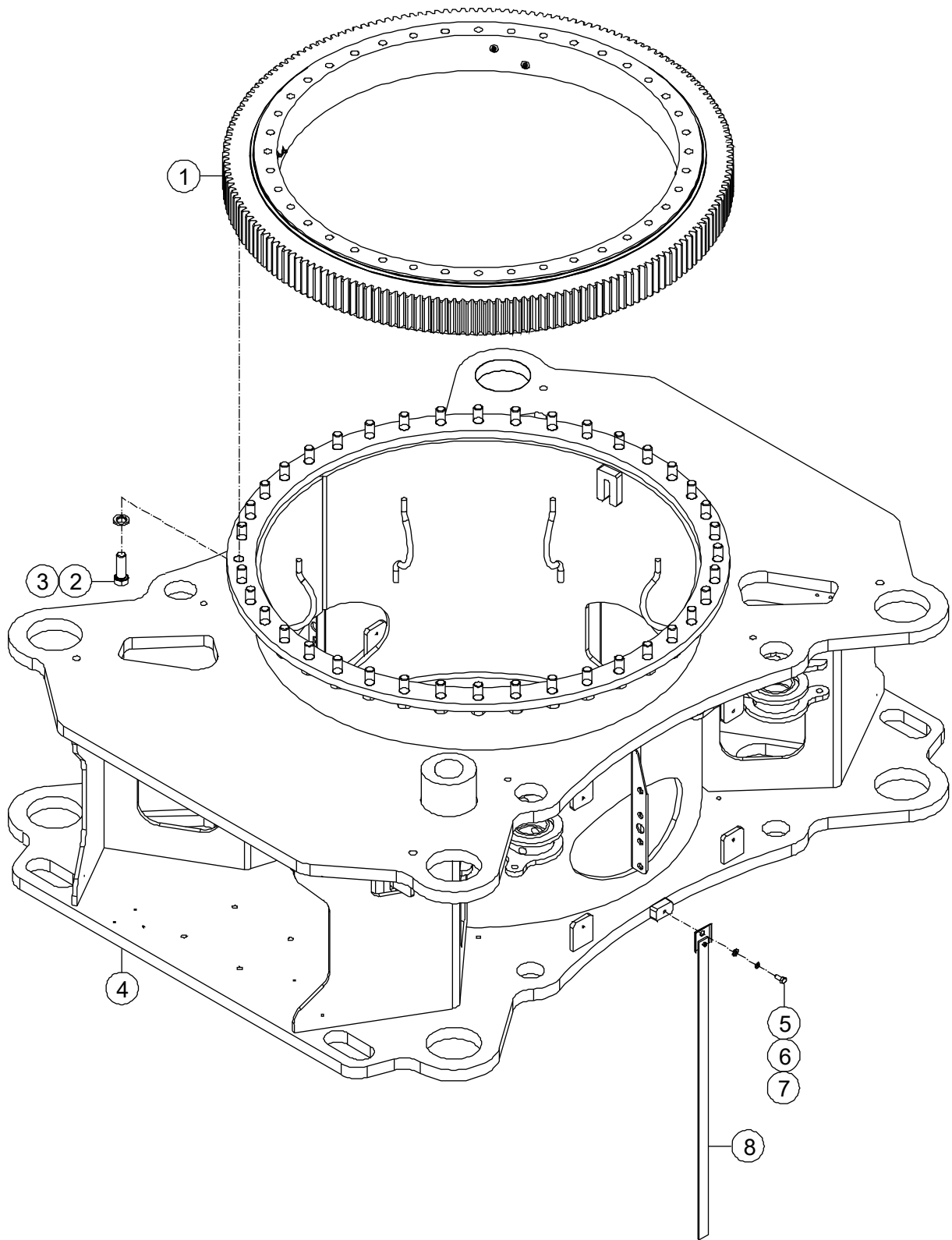
1-10 Traction Manifold



1-10 Traction Manifold

Item	Part Number	Description	Qty.	Remark
1	00011495	Cartridge, Flow Divider/Combiner	2	
2	00011508	Body	1	
3	00011535	Plug	4	
4	00011488	Cartridge, Check Valve	4	
5	00011526	Orifice	3	
6	00011533	Plug	5	
7	00011492	Cartridge, Relief Valve	1	
8	00011527	Orifice	2	
9	00011531	Plug	1	
10	00011496	Cartridge, Flow Divider/Combiner	1	
11	00011536	Plug	1	
12	00011525	Orifice	1	
13	00011489	Cartridge, Shuttle Valve	1	
14	00011532	Plug	1	
15	00011490	Cartridge, Shuttle Valve	1	
16	00011501	Cartridge, Logic Valve	8	
17	00011499	Cartridge, Solenoid Valve	3	
18	00011506	Coil	5	
19	00011498	Cartridge, Solenoid Valve	2	
20	00011534	Plug	2	

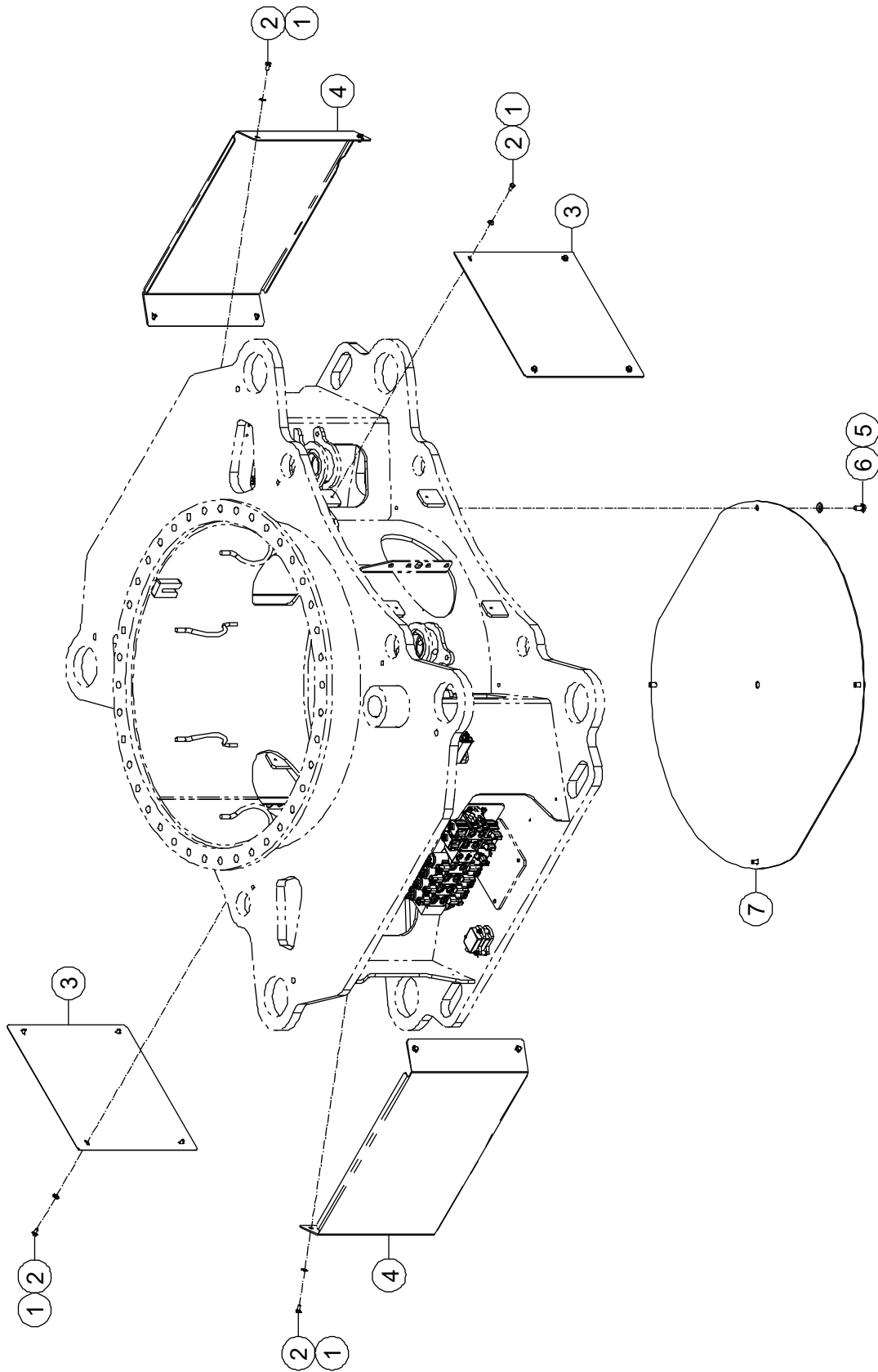
1-11 Slewing Ring Installations



1-11 Slewing Ring Installations

Item	Part Number	Description	Qty.	Remark
1	93200066	Slewing Ring	1	
2	00006443	Bolt GB/T 5783 M20 × 60	40	
3	00001103	Washer, Thrust	40	
4	93200551	Chassis	1	
5	00000875	Bolt GB/T 5783 M8 × 20	1	
6	00000609	Spring Washer GB/T 93 8	1	
7	00000608	Flat Washer GB/T 97.1 8	1	
8	00006555	Ground Strap	1	

1-12 Chassis Components

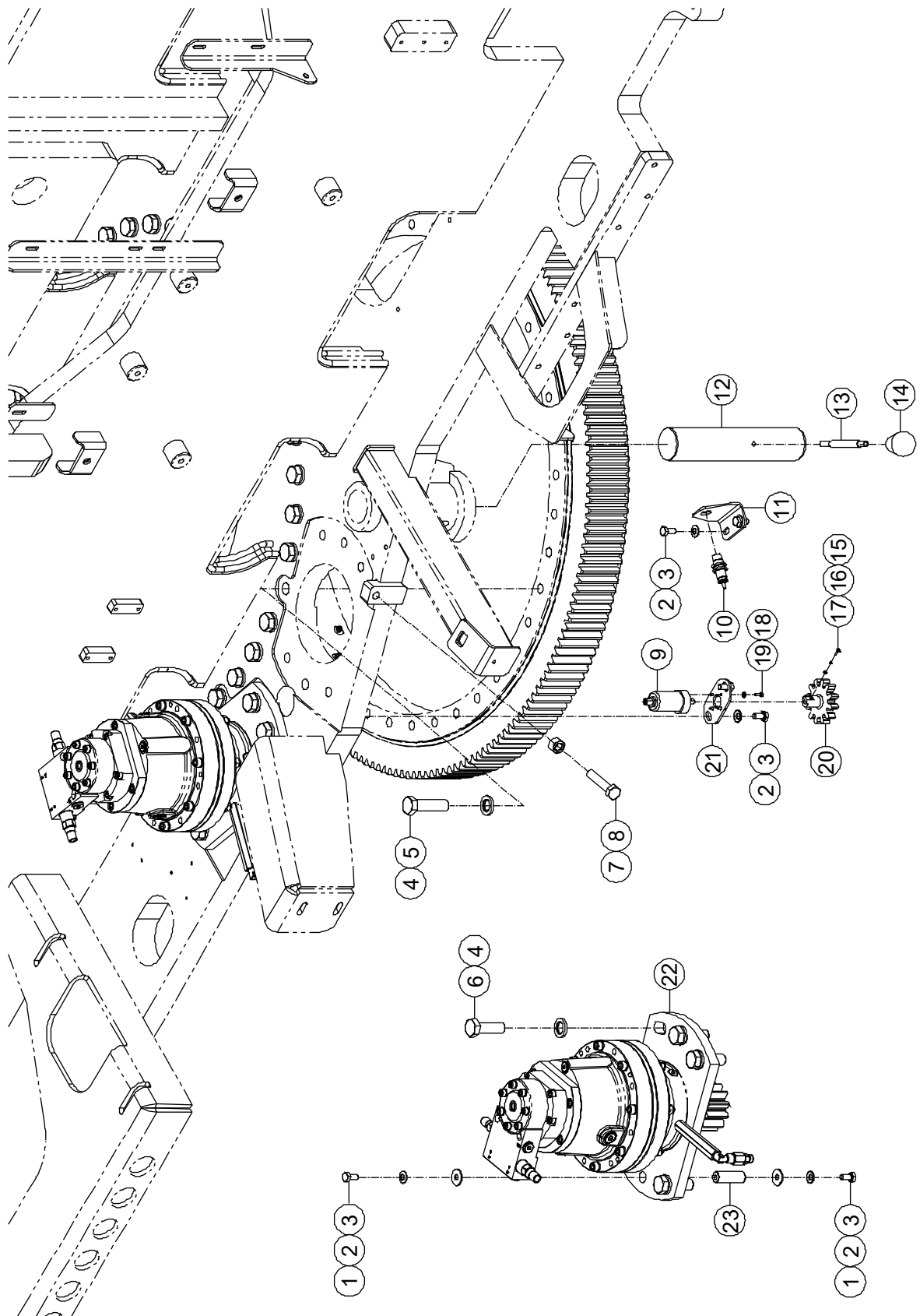


1-12 Chassis Components

Item	Part Number	Description	Qty.	Remark
1	93000015	Spring Washer $\Phi 8.2$	16	
2	00001063	Bolt GB/T 5783 M8 \times 16	16	
3	93301084	Cover	2	
4	93301083	Cover	2	
5	93000017	Spring Washer $\Phi 12.4$	4	
6	00000816	Bolt GB/T 5783 M12 \times 25	4	
7	93300337	Cover	1	

Section 2 Turntable

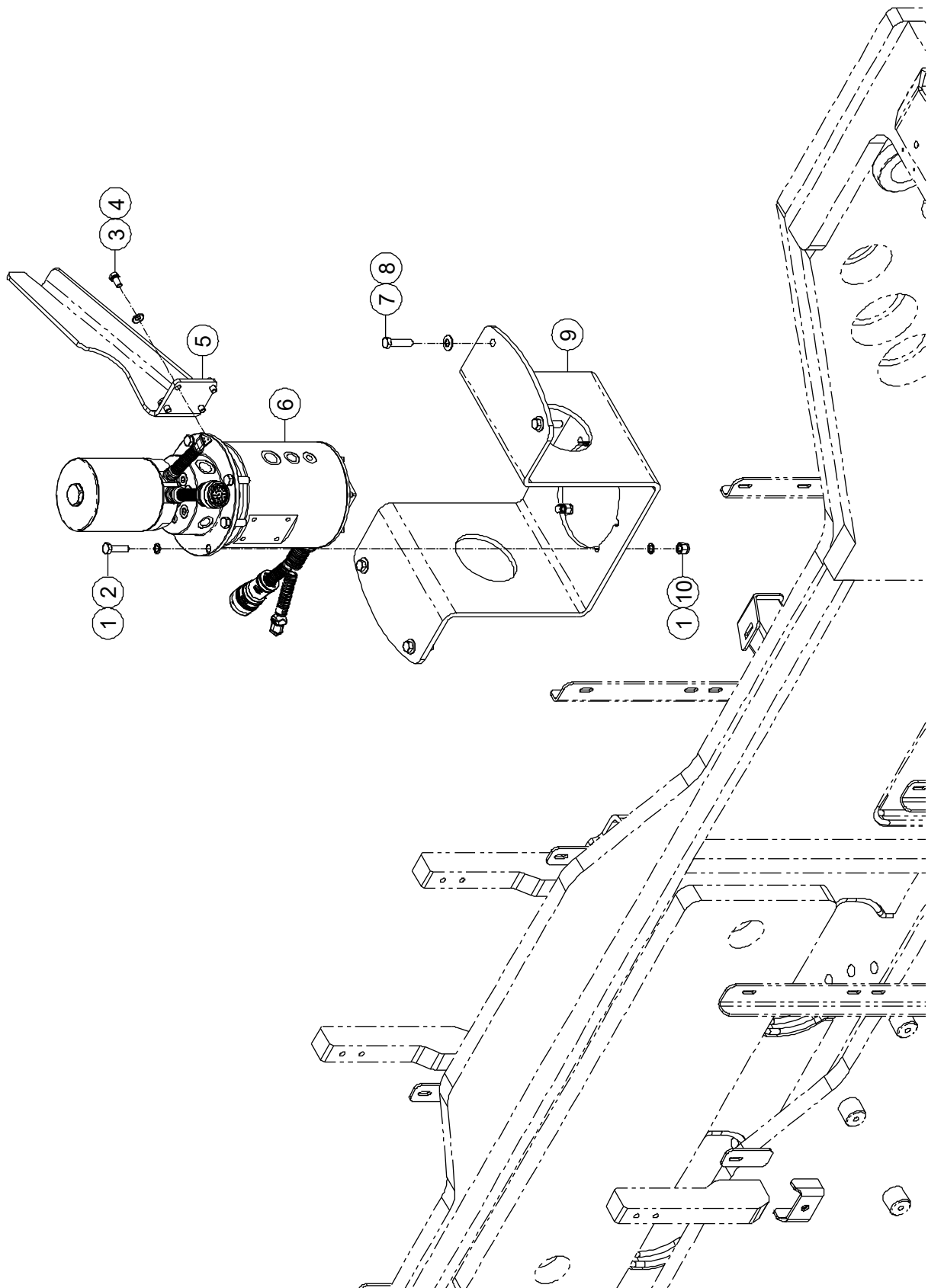
2-1 Gearmotor Installations



2-1 Gearmotor Installations

Item	Part Number	Description	Qty.	Remark
1	00001028	Flat Washer GB/T 96.1 10	4	
2	93000016	Spring Washer Φ 10.2	8	
3	00000674	Bolt GB/T 5783 M10 \times 20	8	
4	00001103	Flat Washer 20 JB/ZQ 4080-2006	50	
5	00003875	Bolt GB/T 5783 M20 \times 80	40	
6	00006443	Bolt GB/T 5783 M20 \times 60	10	
7	00002510	Nut GB/T 6170 M16	2	
8	00008732	Bolt GB/T 5783 M16 \times 75	2	
9	93300059	Angle Sensor	1	
10	00006642	Proximity Switch	1	
11	93300728	Bracket, Switch	1	
12	93300272	Pin	1	
13	93300273	Rod	1	
14	50001281	Handle	1	
15	00007754	Flat Washer GB/T 97.1 3	1	
16	00007755	Spring Washer GB/T 93 3	1	
17	00007756	Screw GB/T 70 M3 \times 10	1	
18	93305247	Spring Washer Φ 4.1	4	
19	00001054	Screw GB/T 70 M4 \times 12	4	
20	93300727	Gear	1	
21	93300726	Bracket	1	
22	00006823	Gearmotor	2	
--	00008952	Motor Assembly	1	
--	00008950	Valve Block	1	
23	93300922	Pin	2	

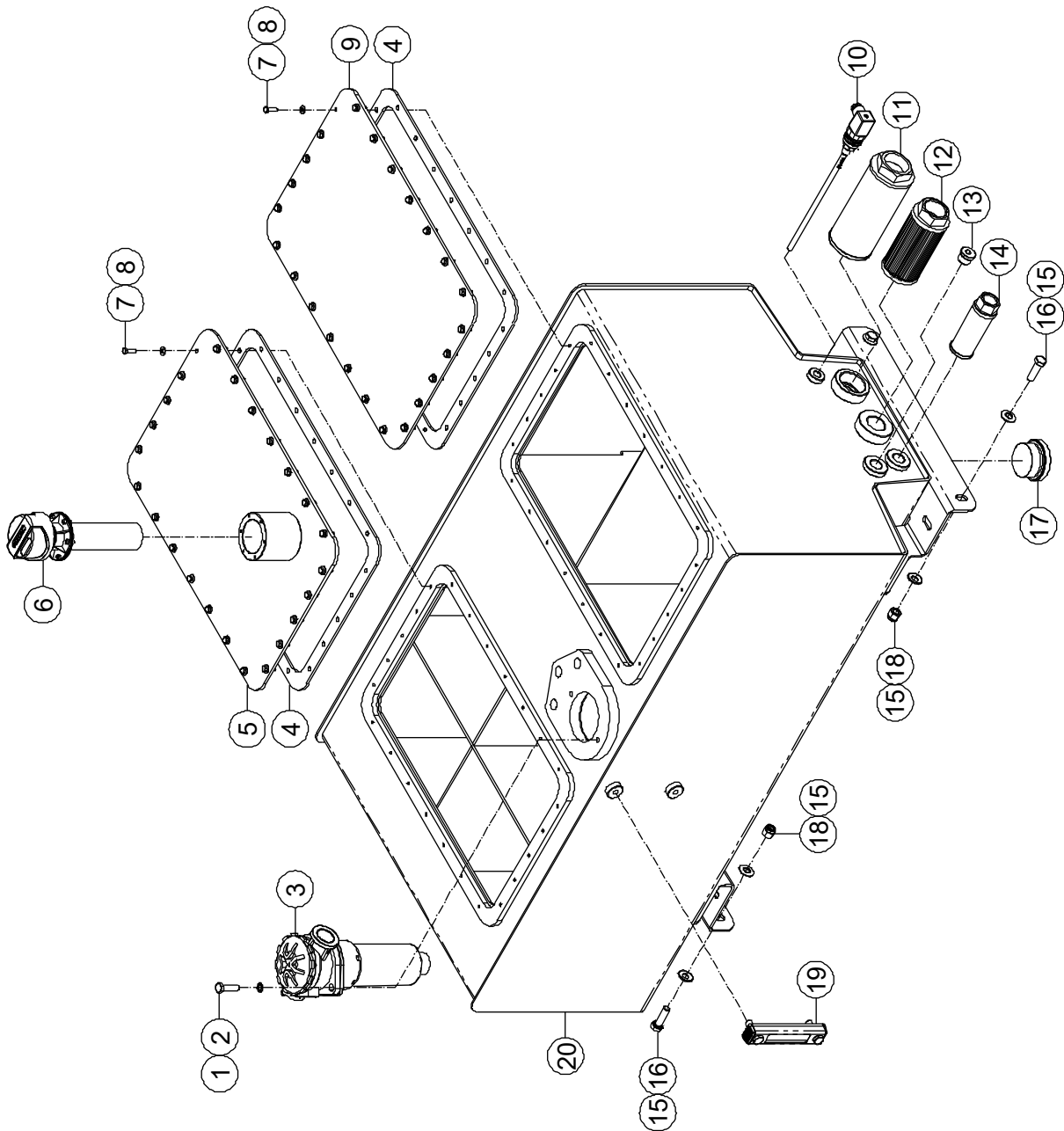
2-2 Rotary Coupling Installations



2-2 Rotary Coupling Installations

Item	Part Number	Description	Qty.	Remark
1	93305787	Spring Washer Φ 12.4	12	
2	00001055	Bolt GB/T 5783 M12 \times 40	6	
3	00000674	Bolt GB/T 5783 M10 \times 20	4	
4	93000016	Spring Washer Φ 10.2	4	
5	50010415	Bracket	1	
6	93300031	Rotary Coupling Assembly	1	
7	00001856	Bolt GB/T 5783 M12 \times 50	4	
8	93000017	Spring Washer Φ 12.4	4	
9	50010414	Support	1	
10	00001249	Nut GB/T 6182 M12	6	

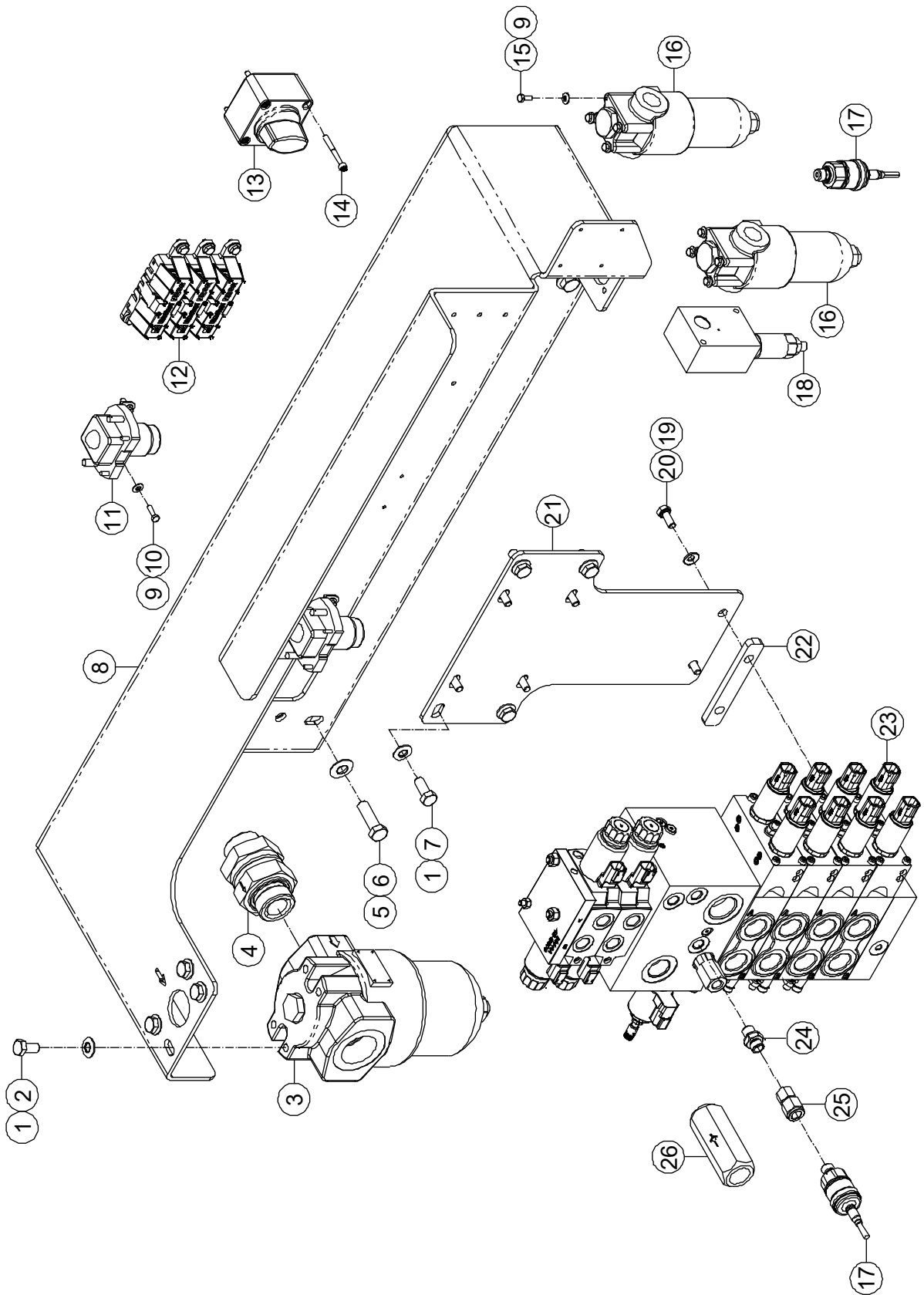
2-3 Hydraulic Tank Installations



2-3 Hydraulic Tank Installations

Item	Part Number	Description	Qty.	Remark
1	93305786	Spring Washer Φ 10.2	2	
2	00000684	Bolt GB/T 5783 M10 \times 35	2	
3	93000394	Filter, Return Oil	1	
4	93000047	Seal	2	
5	93000048	Cover	1	
6	90012734	Vent Plug	1	
7	00000743	Bolt GB/T 5783 M6 \times 20	48	
8	93000014	Spring Washer Φ 6.1	48	
9	93000046	Cover	1	
10	93300057	Temperature Sensor	1	
11	00001872	Filter Cartridge	1	
12	00000519	Filter Cartridge	1	
13	00001114	Plug	1	
14	00000518	Filter Cartridge	1	
15	93000017	Spring Washer Φ 12.4	8	
16	00001055	Bolt GB/T 5783 M12 \times 40	4	
17	00009809	Plug	1	
18	00001249	Nut GB/T 6182 M12	4	
19	93300098	Level Indicator	1	
20	50010405	Hydraulic Tank	1	

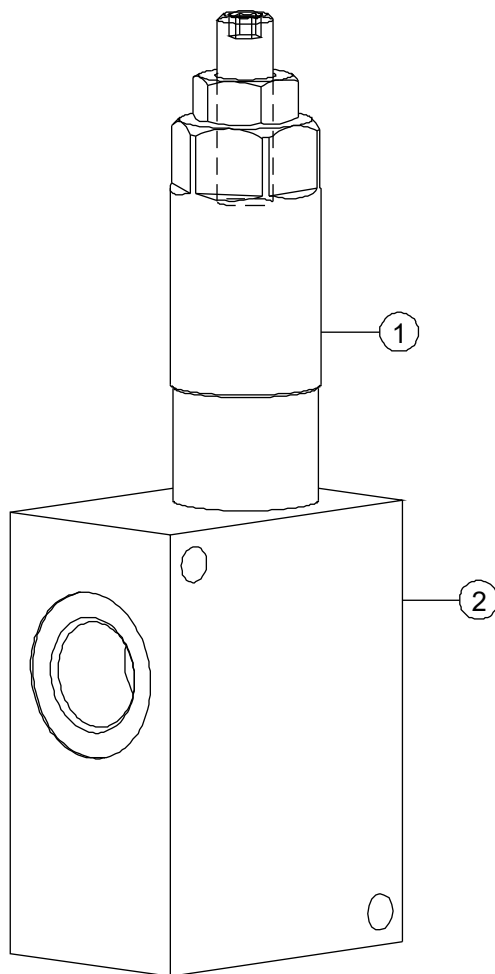
2-4 Function Manifold Installations



2-4 Function Manifold Installations

Item	Part Number	Description	Qty.	Remark
1	93000016	Spring Washer Φ 10.2	8	
2	00000674	Bolt GB/T 5783 M10 \times 20	4	
3	93000392	Filter	1	
4	93300786	Check Valve	1	
5	93000017	Spring Washer Φ 12.4	6	
6	00001055	Bolt GB/T 5783 M12 \times 40	6	
7	00000678	Bolt GB/T 5783 M10 \times 25	4	
8	93000053	Bracket	1	
9	93000013	Spring Washer Φ 5.1	12	
10	00003949	Bolt GB/T 5783 M5 \times 16	4	
11	00002205	DC Contactor	2	
12		Fuse Holder Assembly (<i>Refer to 7-2</i>)	1	
13	93300324	Power Switch	1	
14	00003362	Screw GB/T 70 M5 \times 45	4	
15	00002246	Bolt GB/T 5783 M5 \times 12	8	
16	93000393	Filter	2	
17	93300854	Pressure Sensor	2	
18	92058380	Relief Valve (<i>Refer to 2-5</i>)	1	
19	93000015	Spring Washer Φ 8.2	6	
20	00000875	Bolt GB/T 5783 M8 \times 20	6	
21	50010848	Bracket	1	
22	50010849	Plate	1	
23	00012241	Function Manifold (<i>Refer to 2-6</i>)	1	
24	00001316	Fitting, Straight	1	
25	00006016	Fitting, Straight	1	
26	00012596	Check Valve	1	

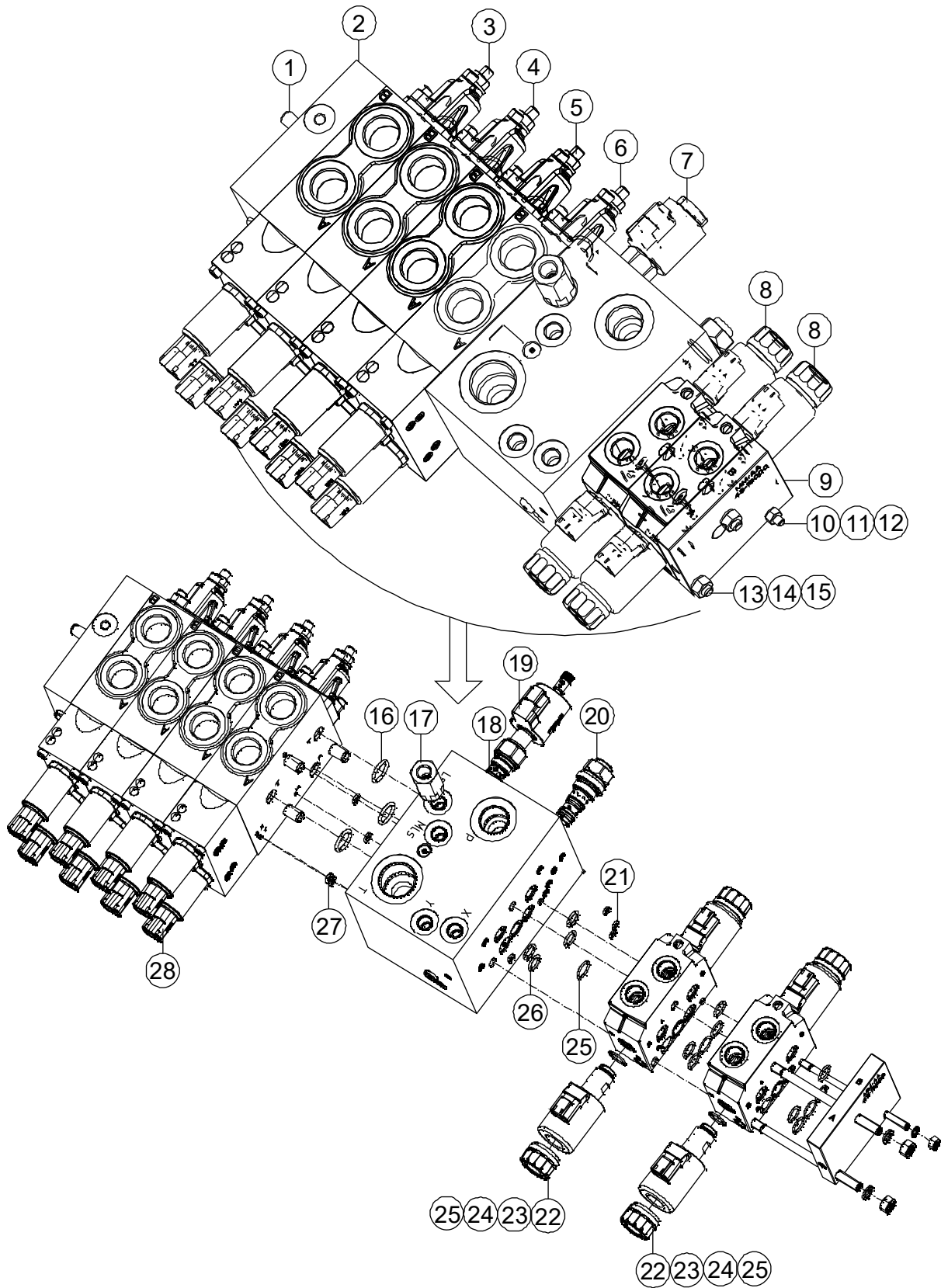
2-5 Relief Valve



2-5 Relief Valve

Item	Part Number	Description	Qty.	Remark
1	00008076	Cartridge, Relief	1	
2	00008077	Body	1	

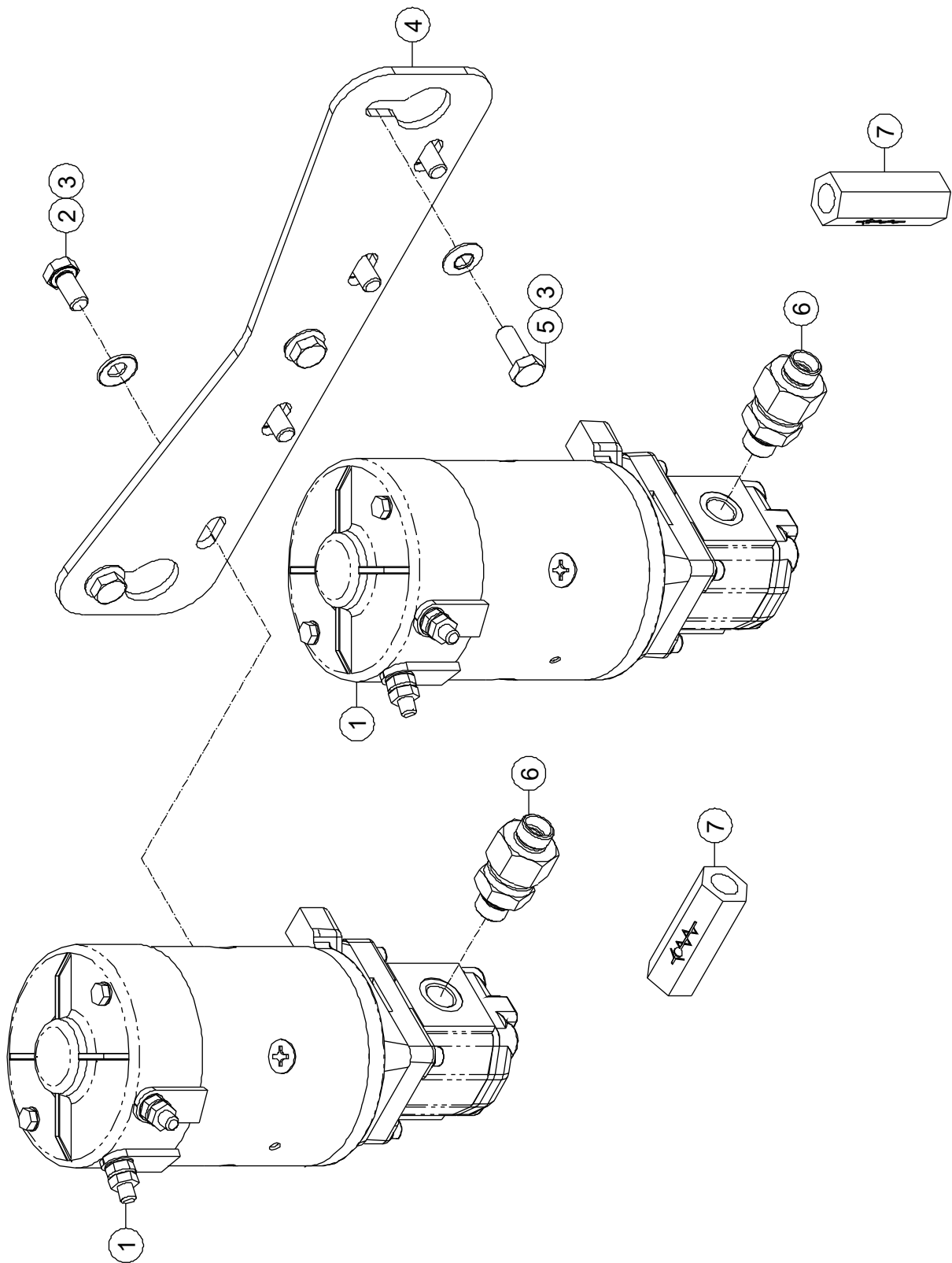
2-6 Function Manifold



2-6 Function Manifold

Item	Part Number	Description	Qty.	Remark
1	00012544	Tie-Rod	3	
2	00011581	Cover	1	
3	00012541	Work Unit, Main Boom Lifting	1	
4	00012542	Work Unit, Main Boom Telescope	1	
5	00012543	Work Unit, Tower Boom Lifting	1	
6	00011574	Work Unit, Main Boom Telescope	1	
7	00011516	Inlet Unit	1	
8	00011517	Work Unit, Jib Lifting	2	
9	00011514	Cover	1	
10	00011543	Tie-Rod	1	
11	00011545	Lock-Washer	1	
12	00011544	Nut	1	
13	00011542	Tie-Rod	2	
14	00011547	Lock-Washer	5	
15	00011546	Nut	5	
16	00011571	Seal	3	
17	00011568	Plug, Orifice	1	
18	00011497	Cartridge, Solenoid Valve	1	
19	00011502	Coil	1	
20	00011567	Cartridge, Relief Valve	1	
21	00011569	Seal	4	
22	00011522	Nut	4	
23	00011503	Coil	4	
24	00011500	Cartridge, Proportional Valve	4	
25	00011537	Seal	5	
26	00011570	Seal	4	
27	00011572	Seal	4	
28	00012783	Coil	8	

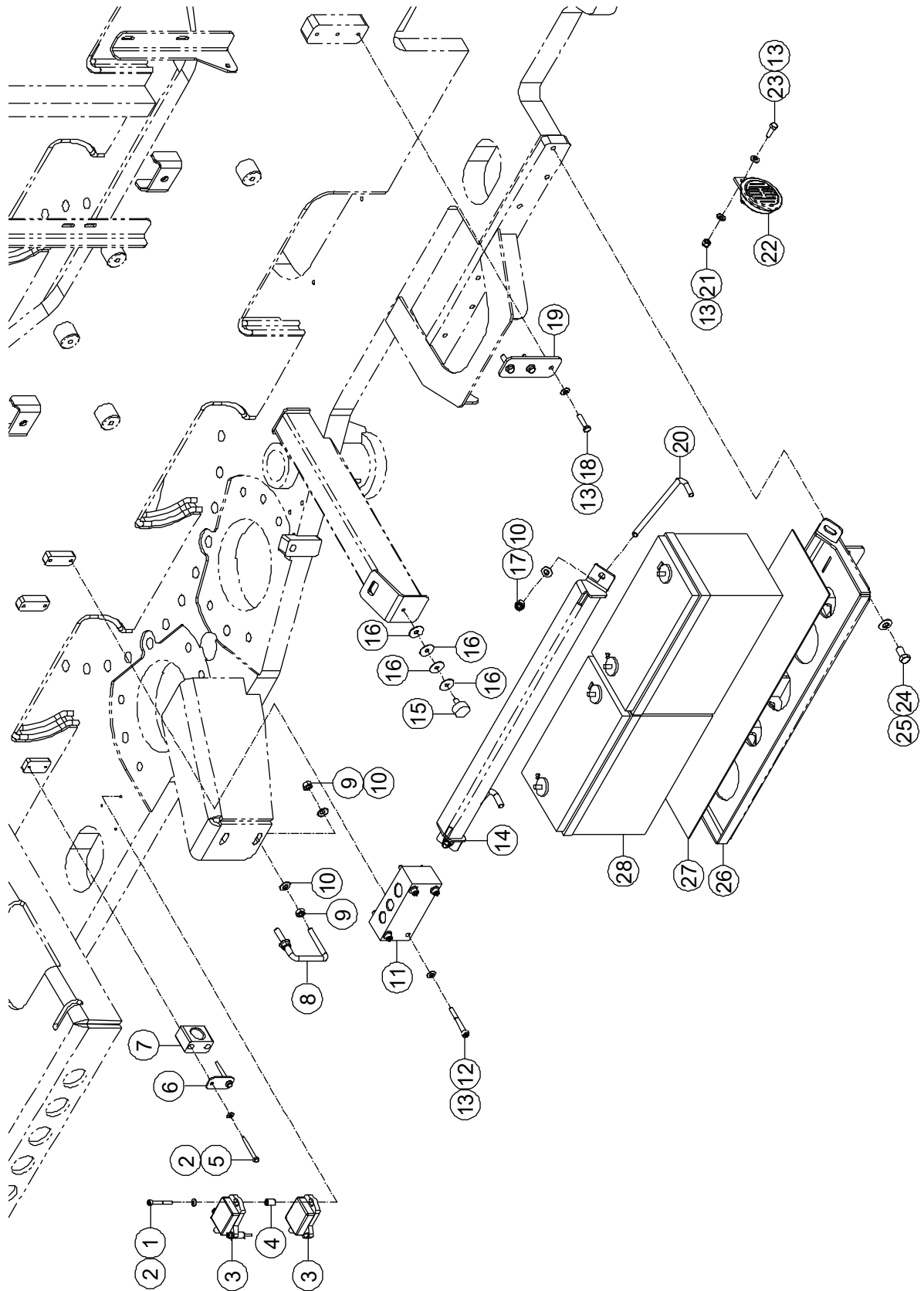
2-7 Emergency Pump Installations



2-7 Emergency Pump Installations

Item	Part Number	Description	Qty.	Remark
1	00006580	Emergency Pump Assembly	2	
--	00006954	Motor	1	
--	00006955	Pump	1	
2	00000674	Bolt GB/T 5783 M10 × 20	4	
3	93000016	Spring Washer Φ10.2	7	
4	93000056	Bracket	1	
5	00000678	Bolt GB/T 5783 M10 × 25	3	
6	93300770	Check Valve	2	
7	90003092	Check Valve	2	

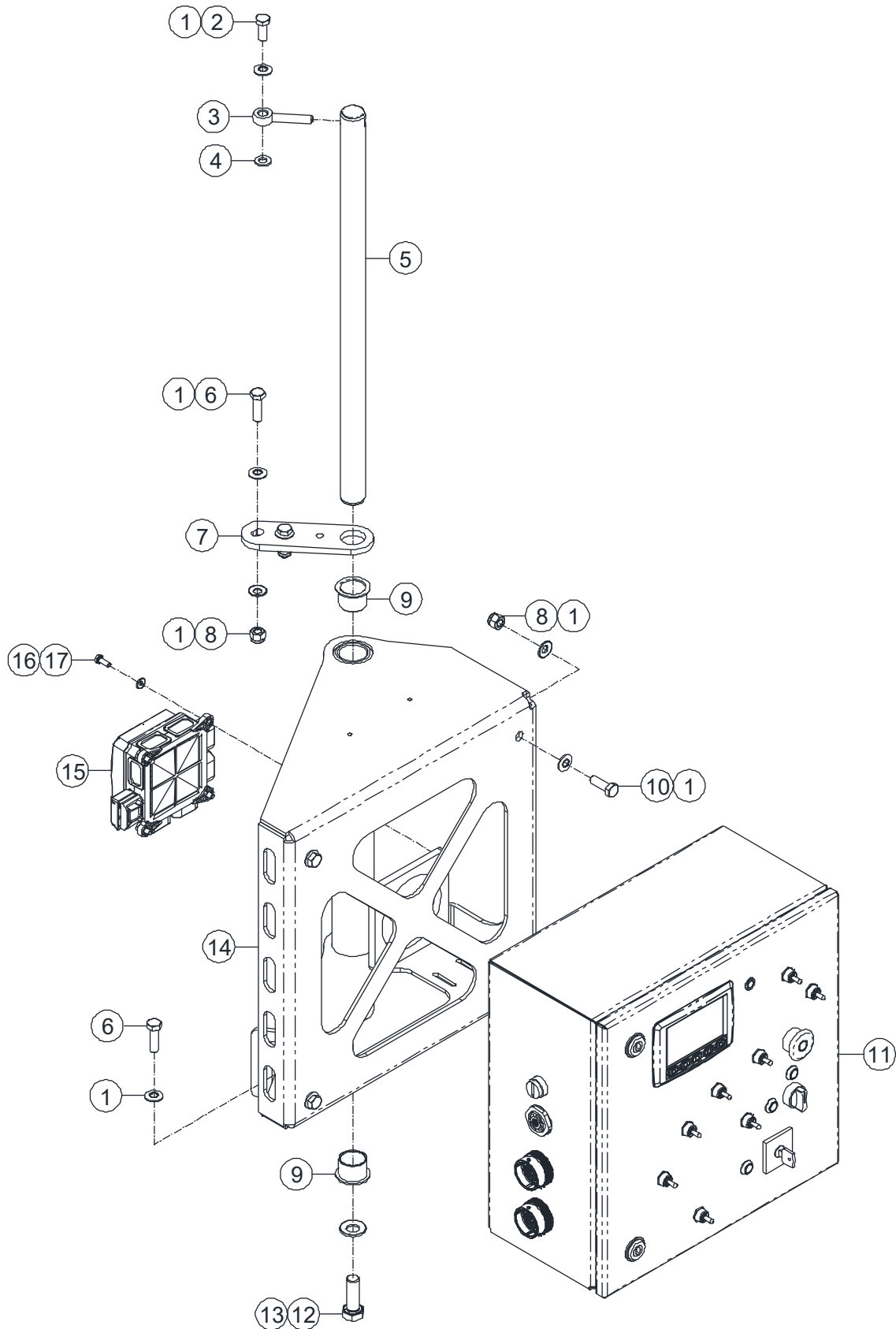
2-8 Battery Installations



2-8 Battery Installations

Item	Part Number	Description	Qty.	Remark
1	00005201	Screw GB/T 70 M6 × 50	3	
2	93000014	Spring Washer Φ6.1	5	
3	00002610	Tilt Sensor	2	
4	93300913	Spacer	3	
5	00002335	Bolt GB/T 5782 M6 × 60	2	
6	93300979	Plate	1	
7	00007021	Clamp	1	
8	93000098	U-Bolt	1	
9	00001999	Nut GB/T 6170 M10	4	
10	93000016	Spring Washer Φ10.2	6	
11	00002183	Return Oil Block	1	
12	00004103	Screw GB/T 70 M8 × 65	4	
13	93000015	Spring Washer Φ8.2	9	
14	93000069	Retainer	1	
15	93303714	Rubber Mounting	1	
16	93000295	Shim	4	
17	00000623	Nut GB/T 6182 M10	2	
18	00002488	Bolt GB/T 5783 M8 × 35	3	
19	00012411	Terminal Strip	1	
20	93000067	Hook, Battery Hold Down	2	
21	00001163	Nut GB/T 6182 M8	1	
22	00002212	Horn	1	
23	00000993	Bolt GB/T 5783 M8 × 25	1	
24	00000816	Bolt GB/T 5783 M12 × 25	6	
25	93000017	Spring Washer Φ12.4	6	
26	93000070	Support	1	
27	93000068	Rubber Mounting	1	
28	00004485	Battery	2	

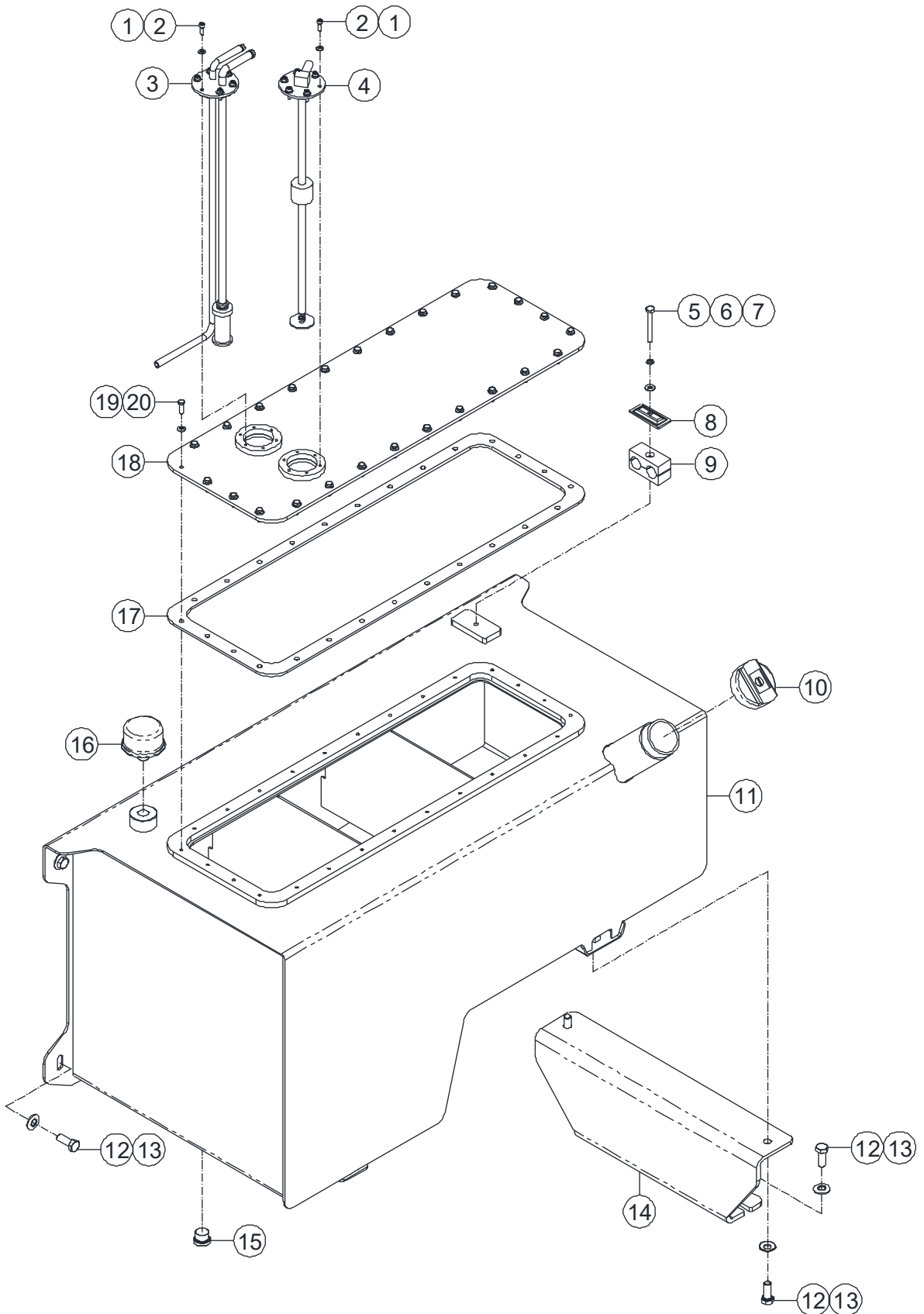
2-9 Ground Control Box Installations



2-9 Ground Control Box Installations

Item	Part Number	Description	Qty.	Remark
1	93000016	Spring Washer $\Phi 10.2$	14	
2	00000678	Bolt GB/T 5783 M10 \times 25	1	
3	00000219	8902-10060 Pin, Lock	1	
4	00000615	Flat Washer GB/T 97.1 10	1	
5	93300668	Pin	1	
6	00000684	Bolt GB/T 5783 M10 \times 35	3	
7	93300669	Plate	1	
8	00000623	Nut GB/T 6182 M10	6	
9	00012881	8821-3026 Sleeve Bearing	2	
10	00000683	Bolt GB/T 5783 M10 \times 30	4	
11		Ground Control Box Assembly (<i>Refer to 7-4</i>)	1	
12	00001057	Bolt GB/T 5783 M16 \times 45	1	
13	93305316	Spring Washer $\Phi 16.4$	1	
14	93200358	Bracket	1	
15	00006155	Power Distribution Module (<i>Refer to 7-3</i>)	1	
16	93000014	Spring Washer $\Phi 6.1$	4	
17	00000818	Bolt GB/T 5783 M6 \times 16	4	

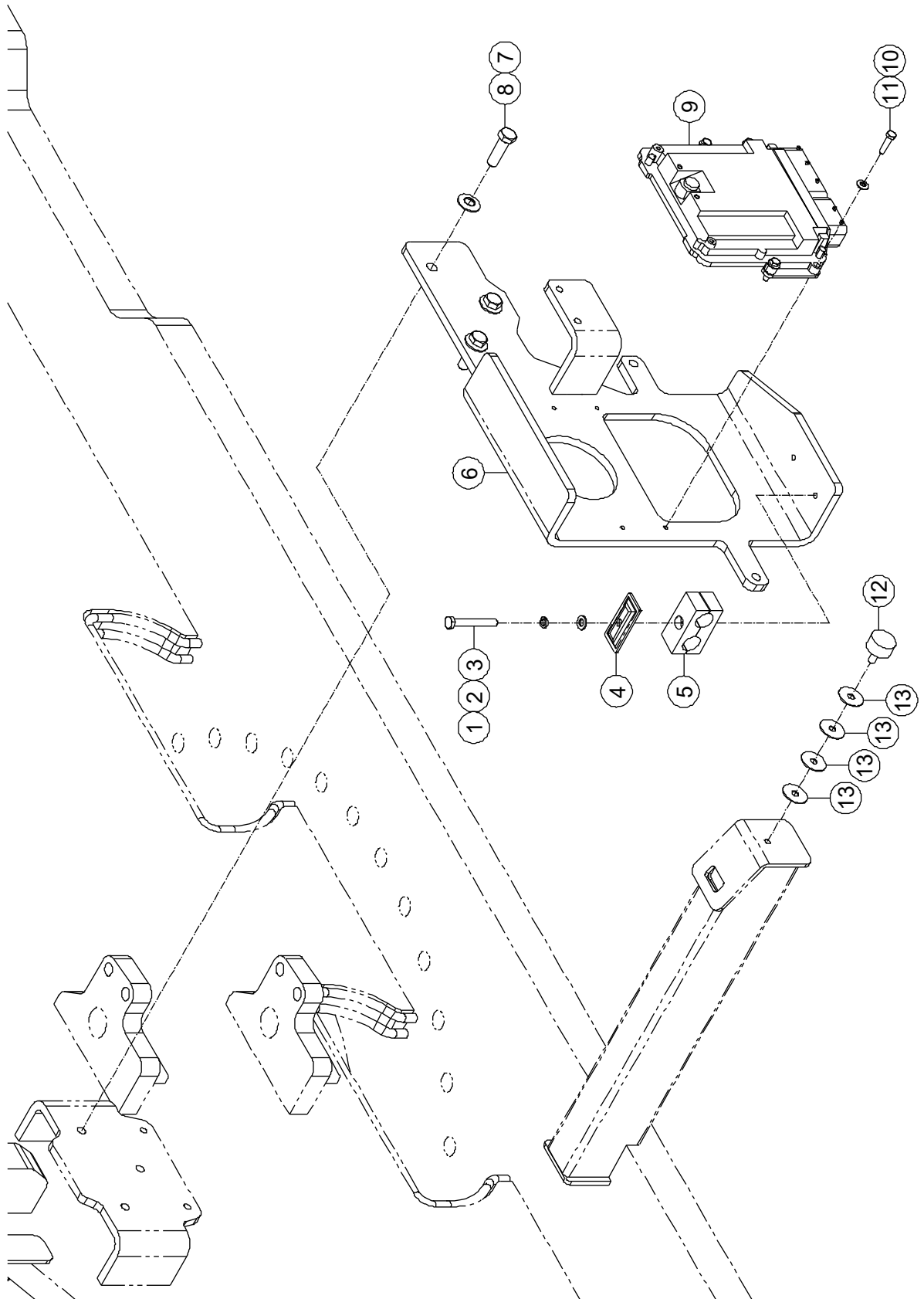
2-10 Fuel Tank Installations



2-10 Fuel Tank Installations

Item	Part Number	Description	Qty.	Remark
1	93000013	Spring Washer $\Phi 5.1$	12	
2	00001246	Screw GB/T 70 M5 \times 16	12	
3	93000109	Suction Pipe	1	
4	00009047	Fuel Level Sensor	1	
5	00001851	Bolt GB/T 5783 M8 \times 60	1	
6	00000609	Spring Washer GB/T 93 8	1	
7	00000608	Flat Washer GB/T 97.1 8	1	
8	92013750	Plate	1	
9	00000316	Clamp	1	
10	90003907	Plug	1	
11	50010424	Fuel Tank	1	
12	00002059	Bolt GB/T 5783 M12 \times 30	8	
13	93000017	Spring Washer $\Phi 12.4$	8	
14	50010418	Support	1	
15	00001114	Plug	1	
16	90028620	Filter	1	
17	93000105	Seal	1	
18	50010422	Cover	1	
19	93000014	Spring Washer $\Phi 6.1$	26	
20	00000743	Bolt GB/T 5783 M6 \times 20	26	

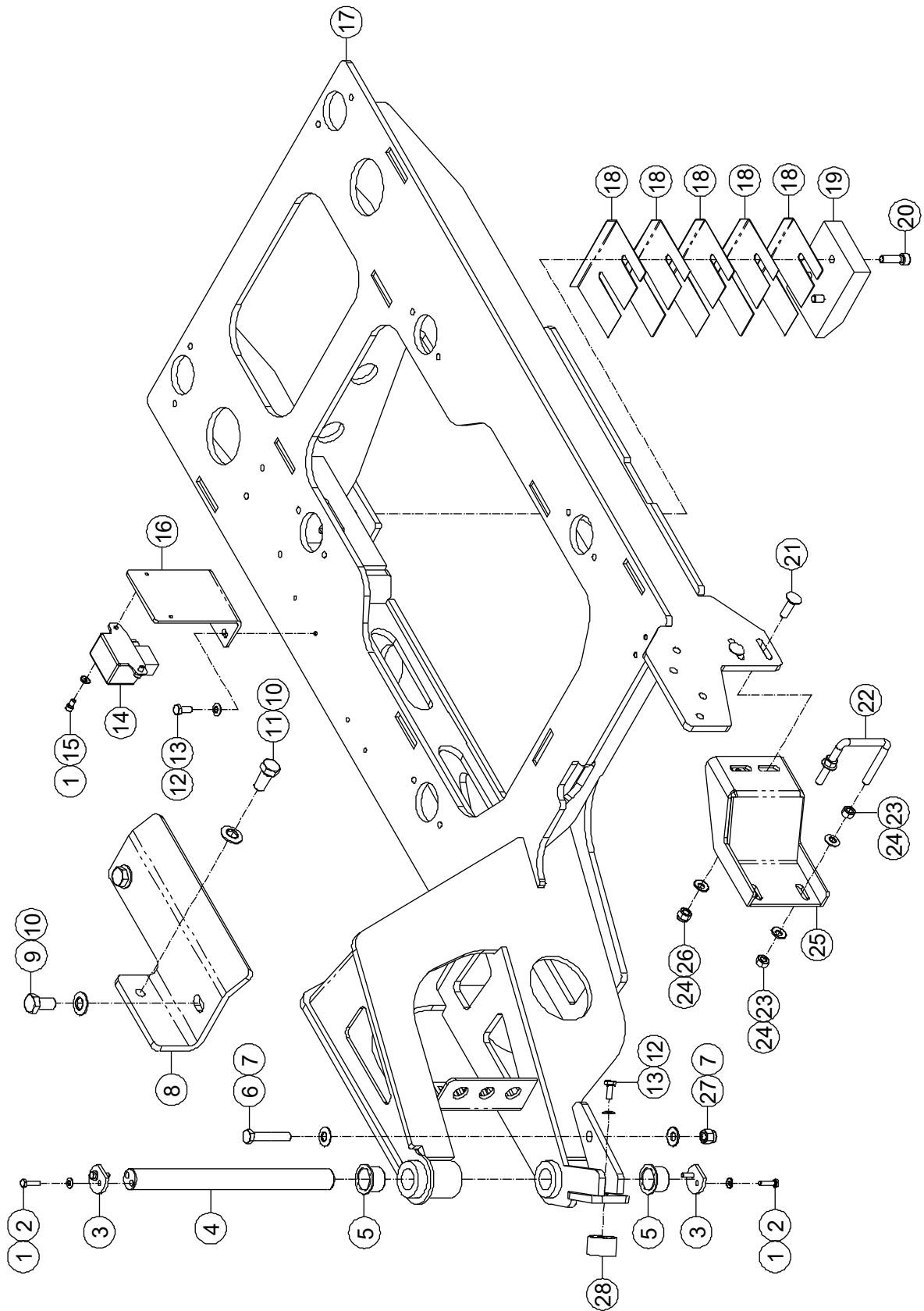
2-11 Engine ECU Installations



2-11 Engine ECU Installations

Item	Part Number	Description	Qty.	Remark
1	00000608	Flat Washer GB/T 97.1 8	1	
2	00000609	Spring Washer GB/T 93 8	1	
3	00001851	Bolt GB/T 5783 M8 × 60	1	
4	92013750	Plate	1	
5	00000316	Clamp	1	
6	93200273	Bracket	1	
7	93000017	Spring Washer Φ12.4	3	
8	00001055	Bolt GB/T 5783 M12 × 40	3	
9	92029394	Engine ECU	1	
10	93000014	Spring Washer Φ6.1	4	
11	00000619	Bolt GB/T 5783 M6 × 25	4	
12	93303714	Rubber Mounting	1	
13	93000295	Shim	4	

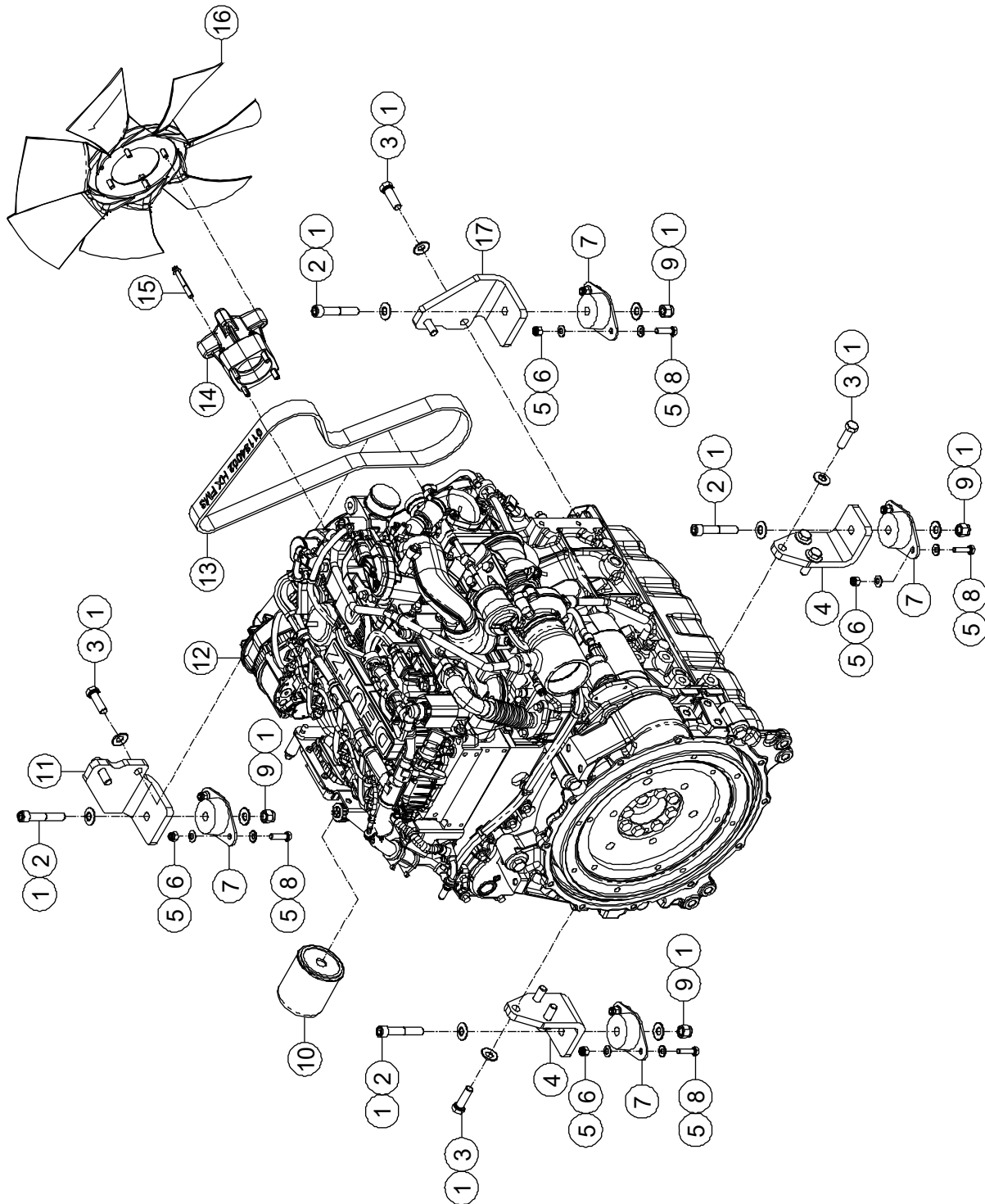
2-12 Engine Support Installations



2-12 Engine Support Installations

Item	Part Number	Description	Qty.	Remark
1	93000014	Spring Washer $\Phi 6.1$	6	
2	00000619	Bolt GB/T 5783 M6 \times 25	4	
3	93300717	Cover	2	
4	93300716	Pin	1	
5	00012881	8821-3026 Sleeve Bearing	2	
6	00003622	Bolt GB/T 5782 M12 \times 65	1	
7	93000017	Spring Washer $\Phi 12.4$	2	
8	93300812	Bracket	1	
9	00002746	Bolt GB/T 5783 M16 \times 30	2	
10	93305316	Spring Washer $\Phi 16.4$	3	
11	00009115	Bolt GB/T 5783 M16 \times 35	1	
12	93000015	Spring Washer $\Phi 8.2$	3	
13	00000875	Bolt GB/T 5783 M8 \times 20	3	
14	00002918	Contactora, Preheat	1	
15	00002029	Screw GB/T 70 M6 \times 12	2	
16	93000541	Bracket	1	
17	50010335	Engine Support	1	
18	93300811	Shim	5	
19	93300810	Sliding Block	1	
20	00002238	Screw GB/T 70 M10 \times 35	3	
21	00006440	Bolt GB/T 14 M10 \times 35	2	
22	93000098	U-Bolt	1	
23	00001999	Nut GB/T 6170 M10	4	
24	93000016	Spring Washer $\Phi 10.2$	6	
25	93000099	Bracket	1	
26	00000623	Nut GB/T 6182 M10	2	
27	00001249	Nut GB/T 6182 M12	1	
28	93300919	Rubber Mounting	1	

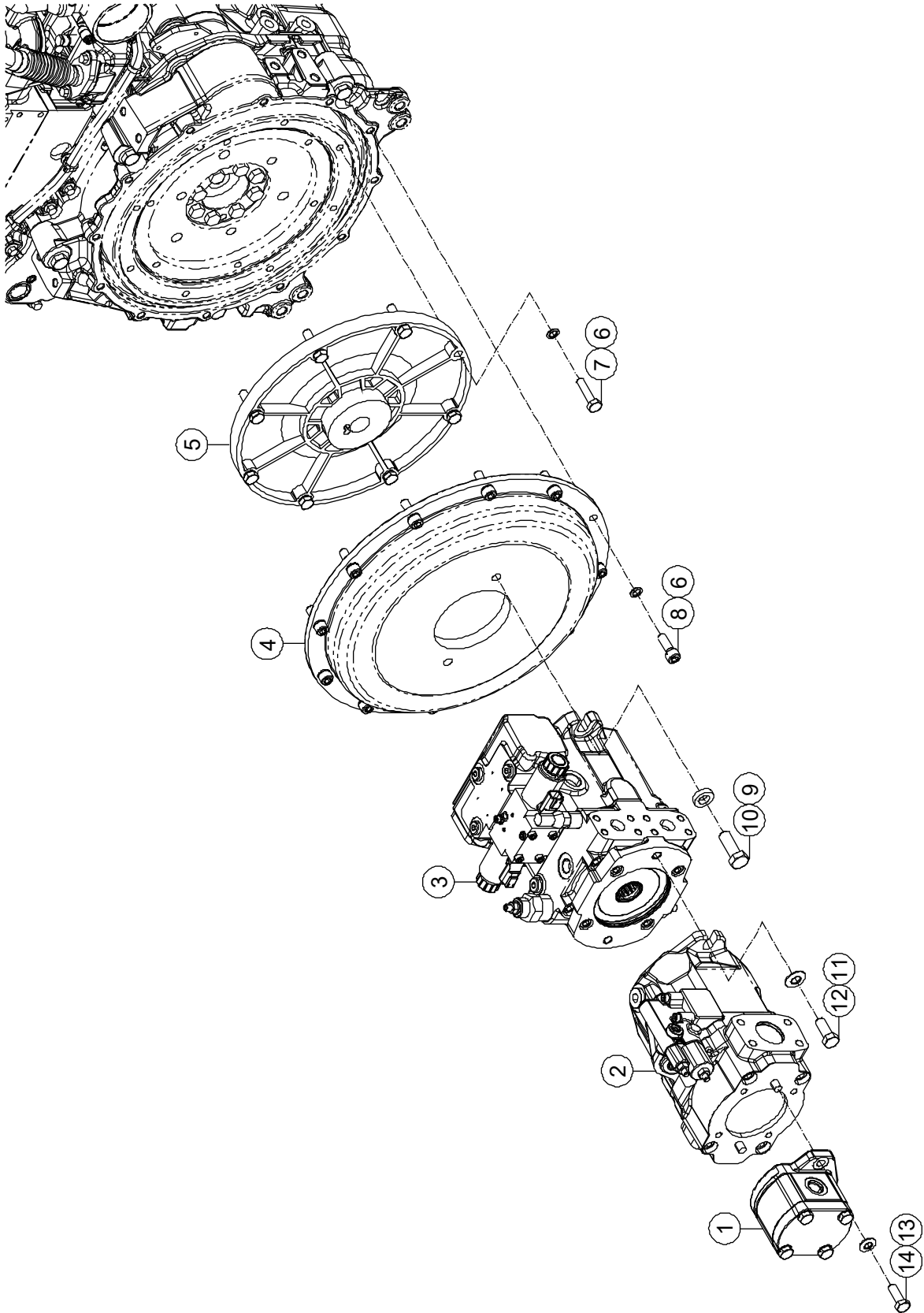
2-13 Engine Assembly



2-13 Engine Assembly

Item	Part Number	Description	Qty.	Remark
1	93000017	Spring Washer Φ 12.4	18	
2	00006631	Screw GB/T 70 M12 \times 70	4	
3	00001055	Bolt GB/T 5783 M12 \times 40	10	
4	93000087	Support	2	
5	93000015	Spring Washer Φ 8.2	16	
6	00001163	Nut GB/T 6182 M8	8	
7	93000090	Rubber Mounting	4	
8	00000995	Bolt GB/T 5783 M8 \times 30	8	
9	00001249	Nut GB/T 6182 M12	4	
10	90024289	Filter Cartridge	1	
11	93000088	Support	1	
12	92100487	Engine	1	EU V
	92101764	Engine	1	CHINA IV
	92102232	Engine	1	CHINA III
13	90031505	V-Belt	1	
14	00008666	Adapter	1	
15	00008910	Screw	4	
16	00008667	Fan	1	
17	93000089	Support	1	

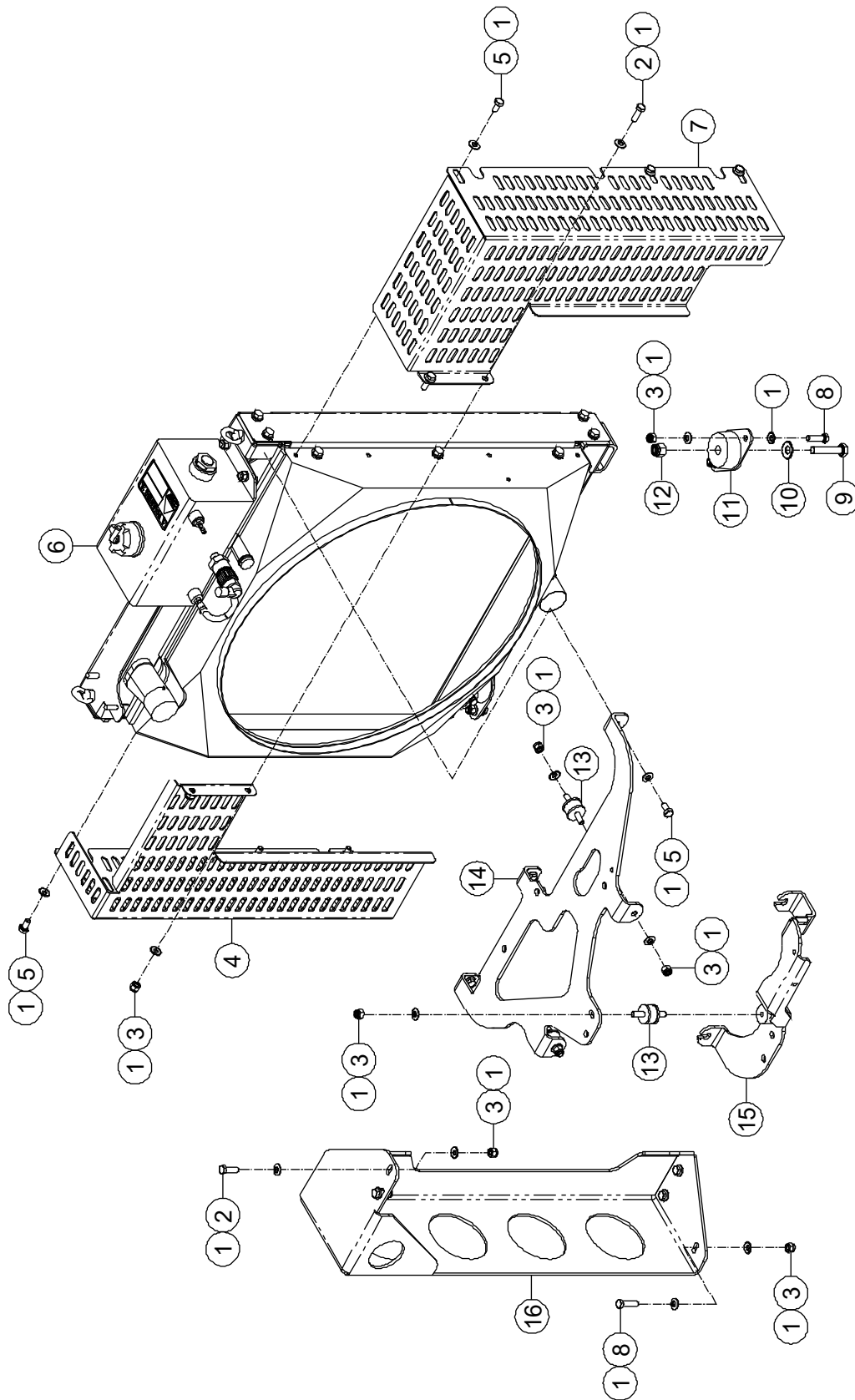
2-14 Engine and Pump Installations



2-14 Engine and Pump Installations

Item	Part Number	Description	Qty.	Remark
1	93200043	Gear Pump Assembly	1	
2	00012964	Function Pump Assembly	1	
3	93200041	Drive Pump Assembly	1	
4	93000456	Protection	1	
5	93200114	Flange	1	
6	93305786	Spring Washer $\Phi 10.2$	20	
7	00001041	Bolt GB/T 5783 M10 \times 40	8	
8	00001059	Screw GB/T 70 M10 \times 30	12	
9	93300873	Washer	2	
10	00002904	Bolt GB/T 5783 M14 \times 40	2	
11	93000017	Spring Washer $\Phi 12.4$	2	
12	00002059	Bolt GB/T 5783 M12 \times 30	2	
13	93000016	Spring Washer $\Phi 10.2$	2	
14	00000683	Bolt GB/T 5783 M10 \times 30	2	

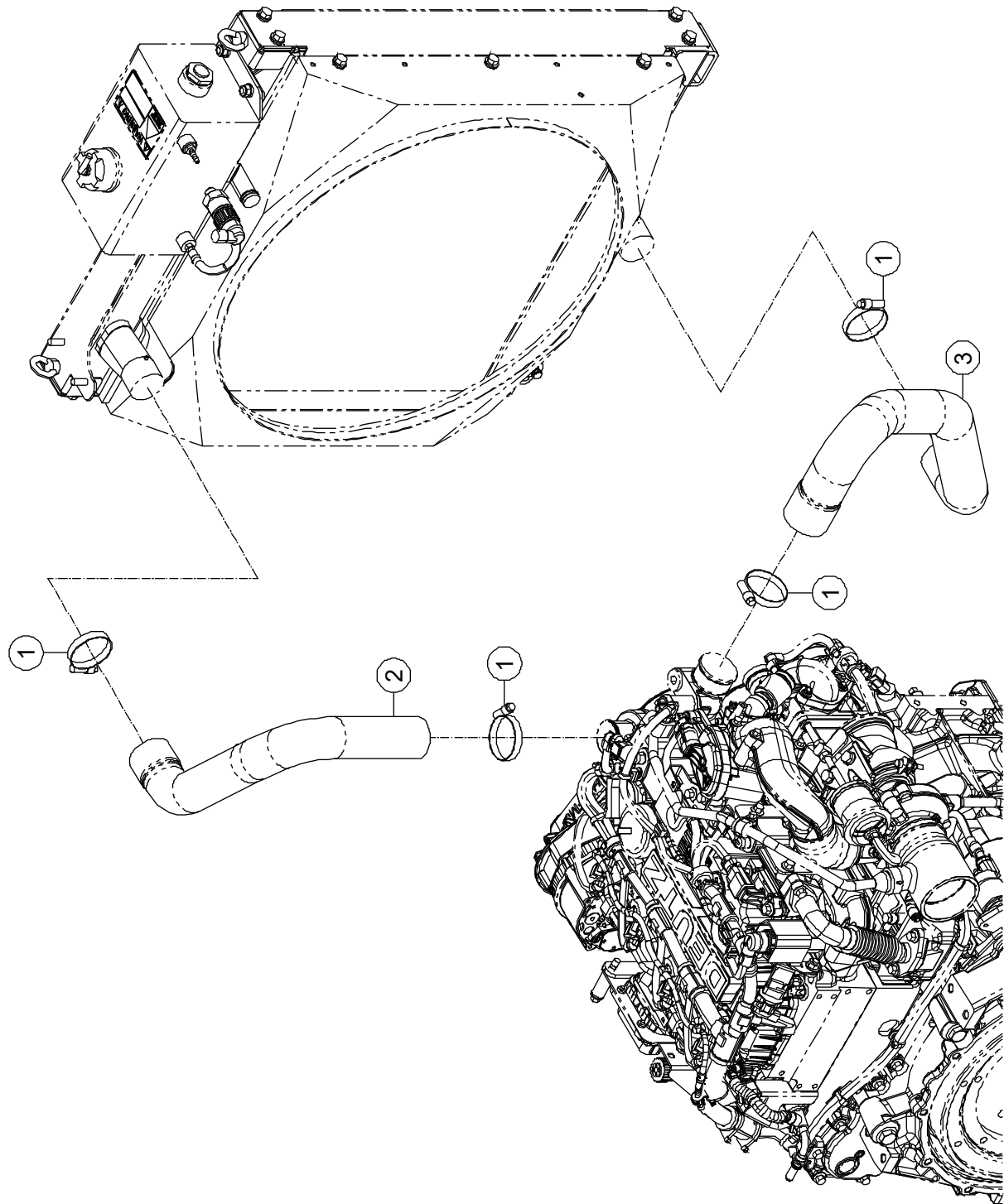
2-15 Engine Cooling System Installations 1



2-15 Engine Cooling System Installations 1

Item	Part Number	Description	Qty.	Remark
1	93000015	Spring Washer $\Phi 8.2$	36	
2	00000993	Bolt GB/T 5783 M8 \times 25	4	
3	00001163	Nut GB/T 6182 M8	16	
4	93000514	Housing	1	
5	00001063	Bolt GB/T 5783 M8 \times 16	9	
6	93200310	Radiator	1	
7	93000513	Housing	1	
8	00000995	Bolt GB/T 5783 M8 \times 30	7	
9	00002923	Bolt GB/T 5783 M12 \times 55	2	
10	93000017	Spring Washer $\Phi 12.4$	2	
11	93000532	Rubber Mounting	2	
12	00001249	Nut GB/T 6182 M12	2	
13	93000086	Rubber Mounting	3	
14	93000081	Bracket	1	
15	93000083	Bracket	1	
16	93300692	Bracket	1	

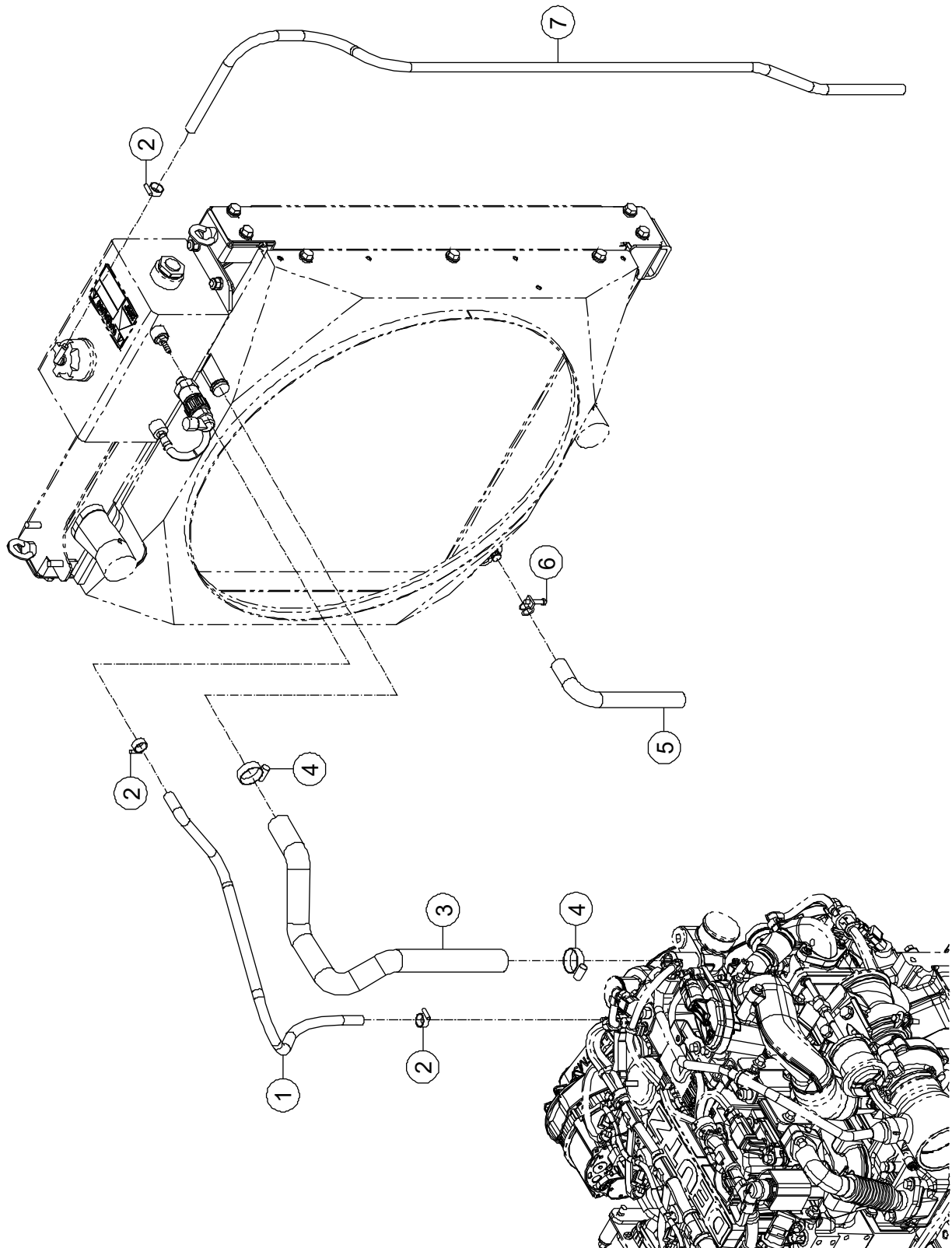
2-16 Engine Cooling System Installations 2



2-16 Engine Cooling System Installations 2

Item	Part Number	Description	Qty.	Remark
1	90007999	Clamp	4	
2	93300683	Hose	1	
3	93300682	Hose	1	

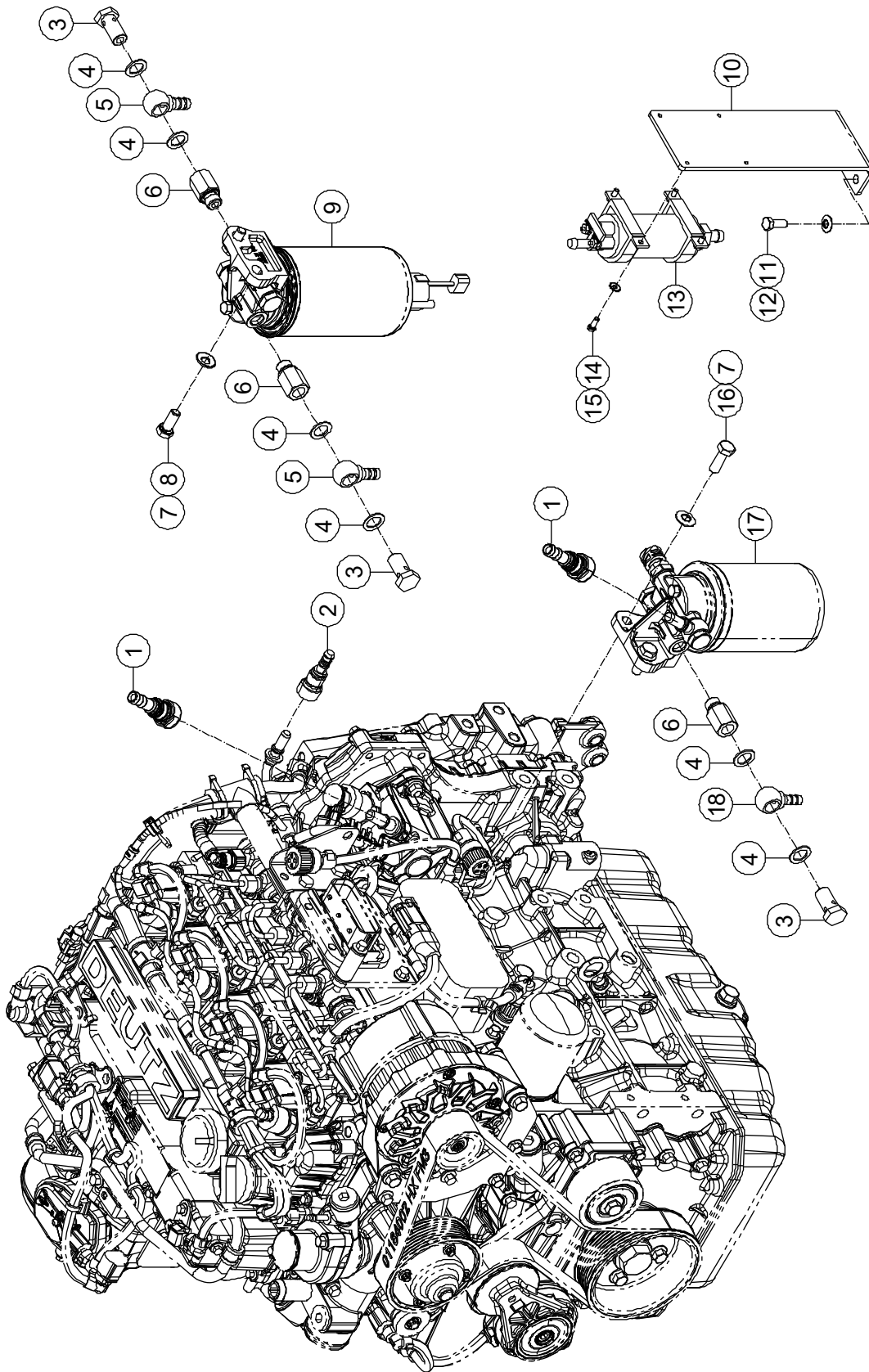
2-17 Engine Cooling System Installations 3



2-17 Engine Cooling System Installations 3

Item	Part Number	Description	Qty.	Remark
1	93300685	Hose	1	
2	92100158	Clamp	3	
3	93300684	Hose	1	
4	90005077	Clamp	2	
5	93000325	Hose	1	
6	92100159	Clamp	1	
7	93300827	Hose	1	

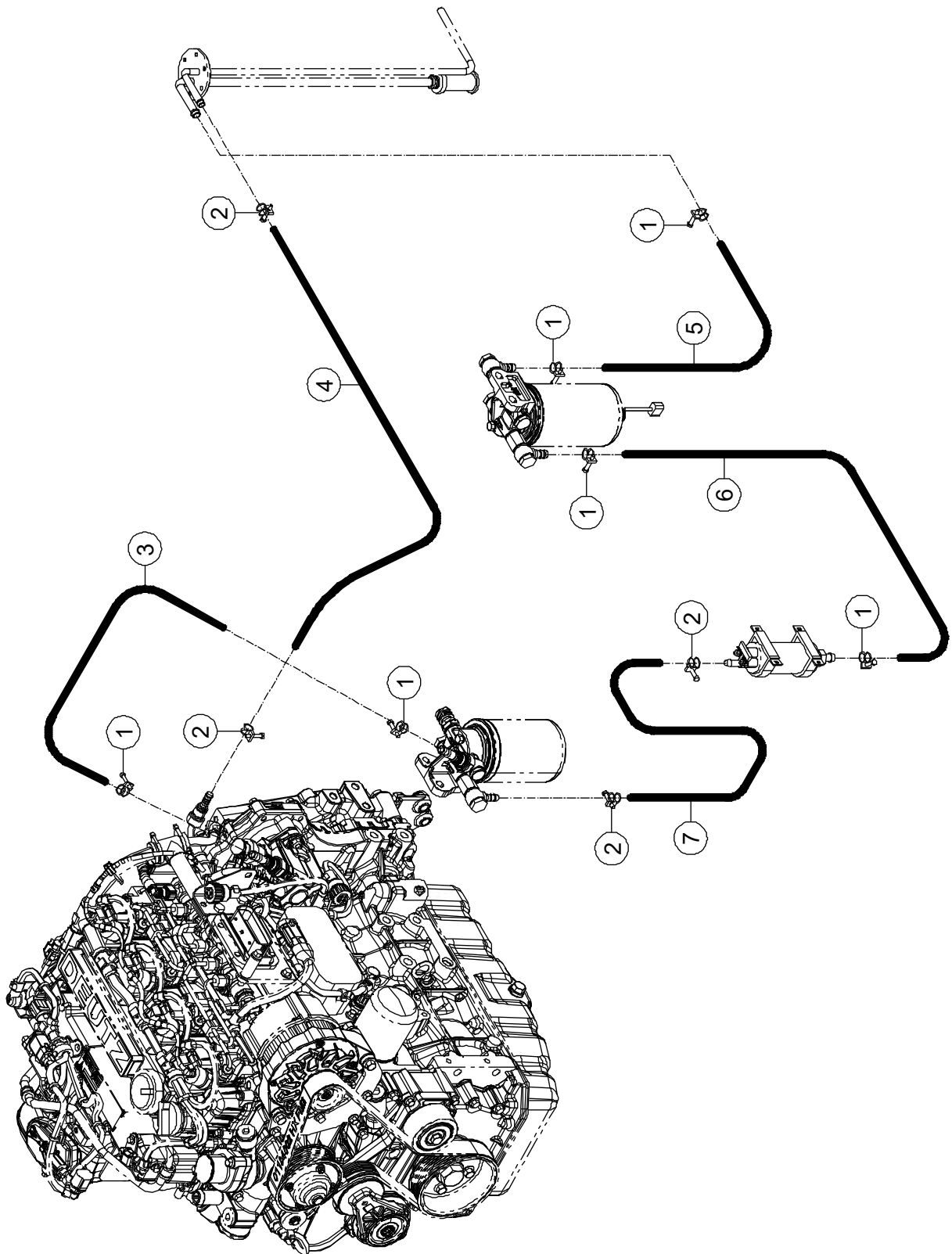
2-18 Engine Fuel System Installations 1



2-18 Engine Fuel System Installations 1

Item	Part Number	Description	Qty.	Remark
1	92048997	Pipe Fitting	2	
2	93000309	Pipe Fitting	1	
3	90007329	Drilled Screw	3	
4	90007331	Washer	6	
5	90023862	Pipe Fitting	2	
6	92100611	Fitting	3	
7	93000016	Spring Washer $\Phi 10.2$	4	
8	00000678	Bolt GB/T 5783 M10 \times 25	2	
9	90029468	Fuel Filter	1	
--	90031462	Filter Cartridge	1	
--	90031464	Fuel Sensor	1	
10	93000534	Bracket	1	
11	00000875	Bolt GB/T 5783 M8 \times 20	2	
12	93000015	Spring Washer $\Phi 8.2$	2	
13	90029469	Fuel Pump	1	
14	00002246	Bolt GB/T 5783 M5 \times 12	4	
15	93000013	Spring Washer $\Phi 5.1$	4	
16	00000683	Bolt GB/T 5783 M10 \times 30	2	
17	93000293	Fuel Filter	1	
--	90031463	Filter Cartridge	1	
18	90007330	Pipe Fitting	1	

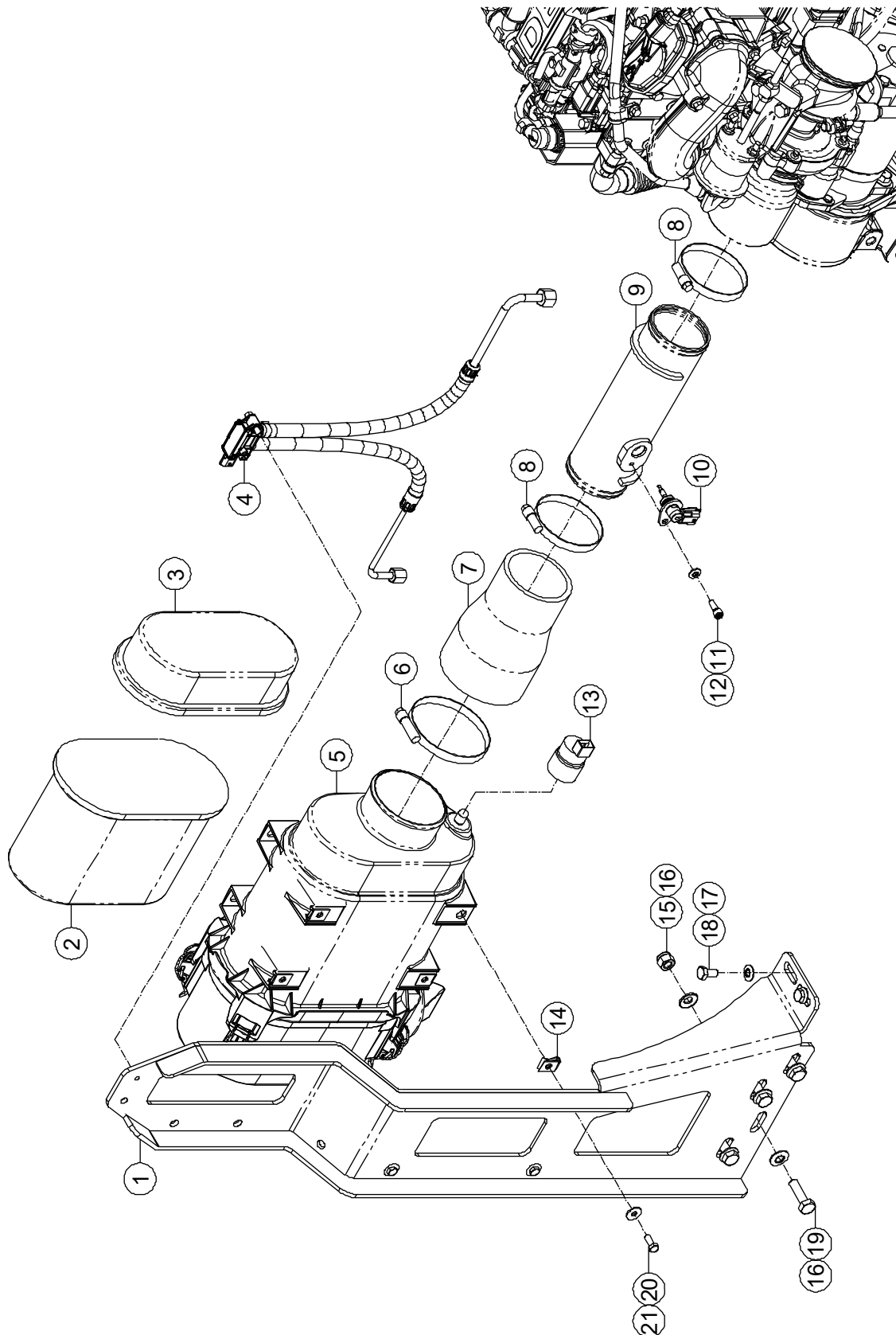
2-19 Engine Fuel System Installations 2



2-19 Engine Fuel System Installations 2

Item	Part Number	Description	Qty.	Remark
1	92100159	Clamp	6	
2	92100571	Clamp	4	
3	93200338	Hose	1	
4	50011162	Hose	1	
5	50011160	Hose	1	
6	50011161	Hose	1	
7	93200336	Hose	1	

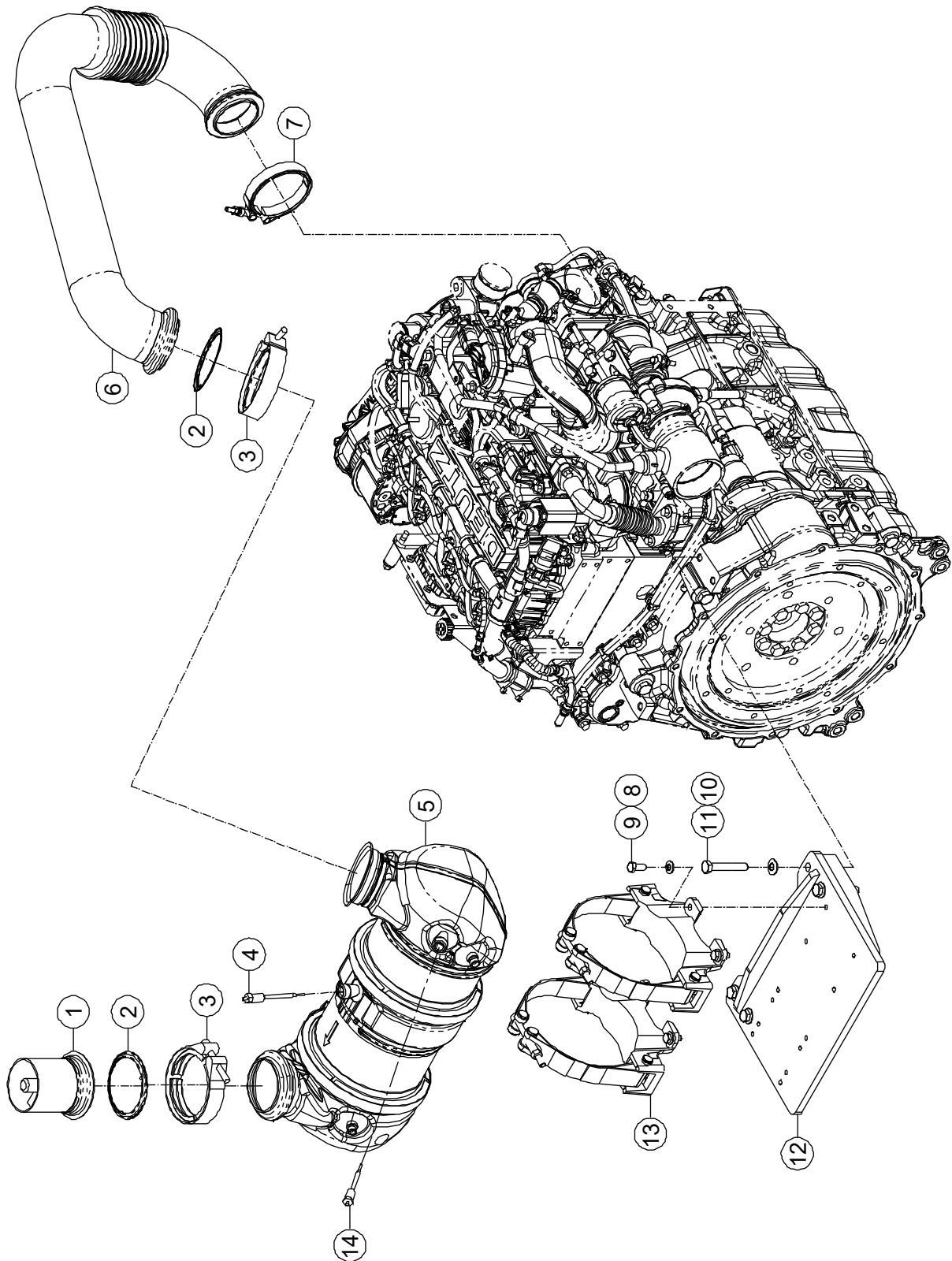
2-20 Engine Suction System Installations (EU V and CHINA IV)



2-20 Engine Suction System Installations (EU V and CHINA IV)

Item	Part Number	Description	Qty.	Remark
1	93000626	Bracket	1	
2	90031461	Filter Cartridge	1	
3	90031459	Safety Cartridge	1	
4	00006582	Differential Pressure Sensor	1	
5	90029290	Complete Air Filter	1	
6	90007001	Clamp	1	
7	93000401	Hose	1	
8	90015693	Clamp	2	
9	93000397	Connecting Pipe	1	
10	00006583	Ambient Temperature Sensor	1	
11	00000876	Screw GB/T 70 M6 × 16	1	
12	93000014	Spring Washer Φ6.1	1	
13	00006809	Air Filter Sensor	1	
14	50000112	Nut QC/T 885 M6	4	
15	00000623	Nut GB/T 6182 M10	4	
16	93000016	Spring Washer Φ10.2	8	
17	93000015	Spring Washer Φ8.2	2	
18	00001063	Bolt GB/T 5783 M8 × 16	2	
19	00000684	Bolt GB/T 5783 M10 × 35	4	
20	00000818	Bolt GB/T 5783 M6 × 16	4	
21	00002583	Flat Washer GB/T 96.1 6	4	

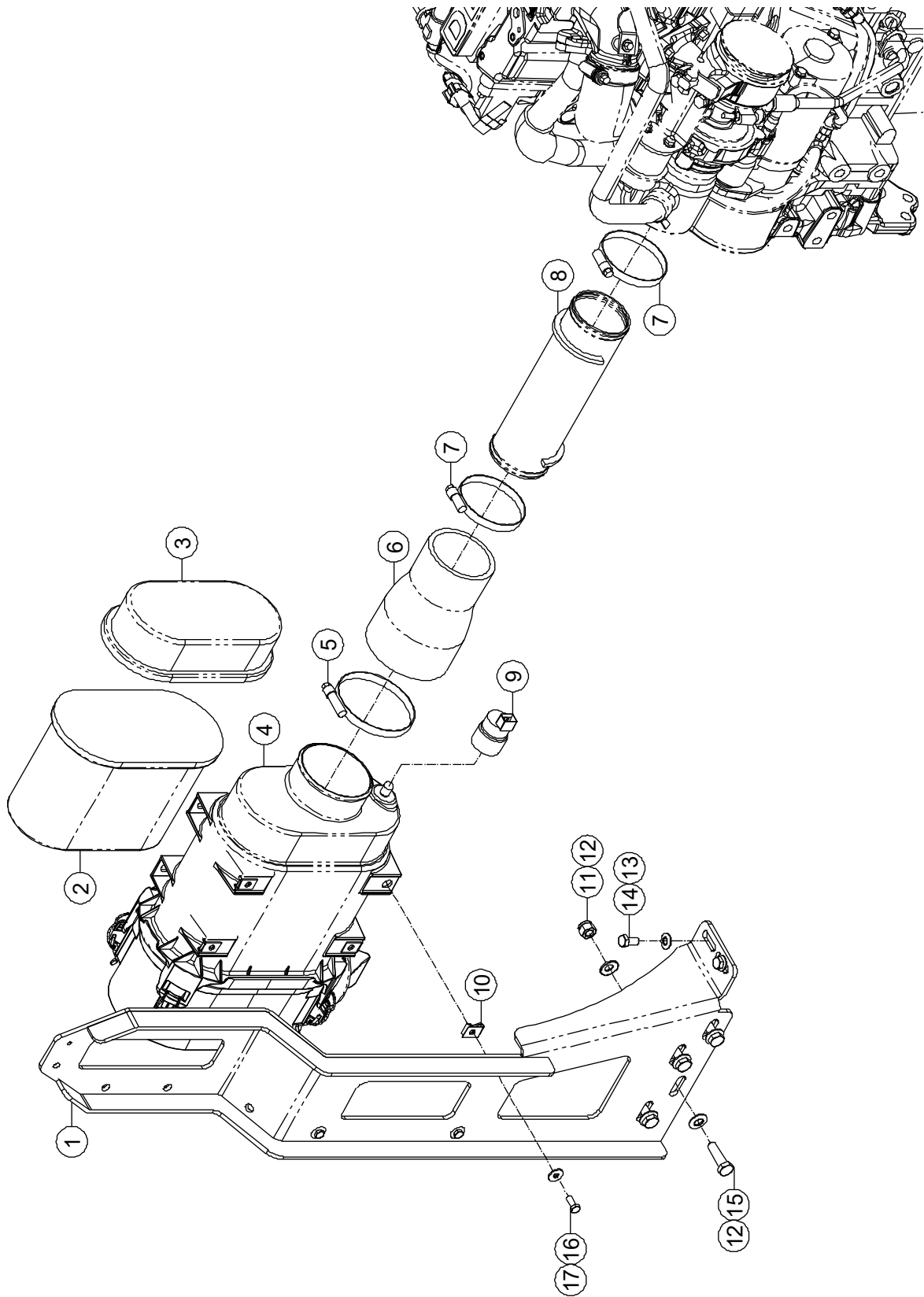
2-21 Engine Exhaust System Installations (EU V and CHINA IV)



2-21 Engine Exhaust System Installations (EU V and CHINA IV)

Item	Part Number	Description	Qty.	Remark
1	50009716	Connecting Pipe	1	
2	92048985	Seal	2	
3	92048983	Collar	2	
4	00007123	Exhaust Temperature Sensor (B66)	1	
5	92100267	Catalyst	1	
6	93000543	Connecting Pipe	1	
7	92049045	Collar	1	
8	93000015	Spring Washer $\Phi 8.2$	8	
9	00000875	Bolt GB/T 5783 M8 \times 20	8	
10	93000016	Spring Washer $\Phi 10.2$	4	
11	00005257	Bolt GB/T 5782 M10 \times 65	4	
12	93000554	Support	1	
13	92048989	Support	1	
14	00007119	Exhaust Temperature Sensor (B65)	1	

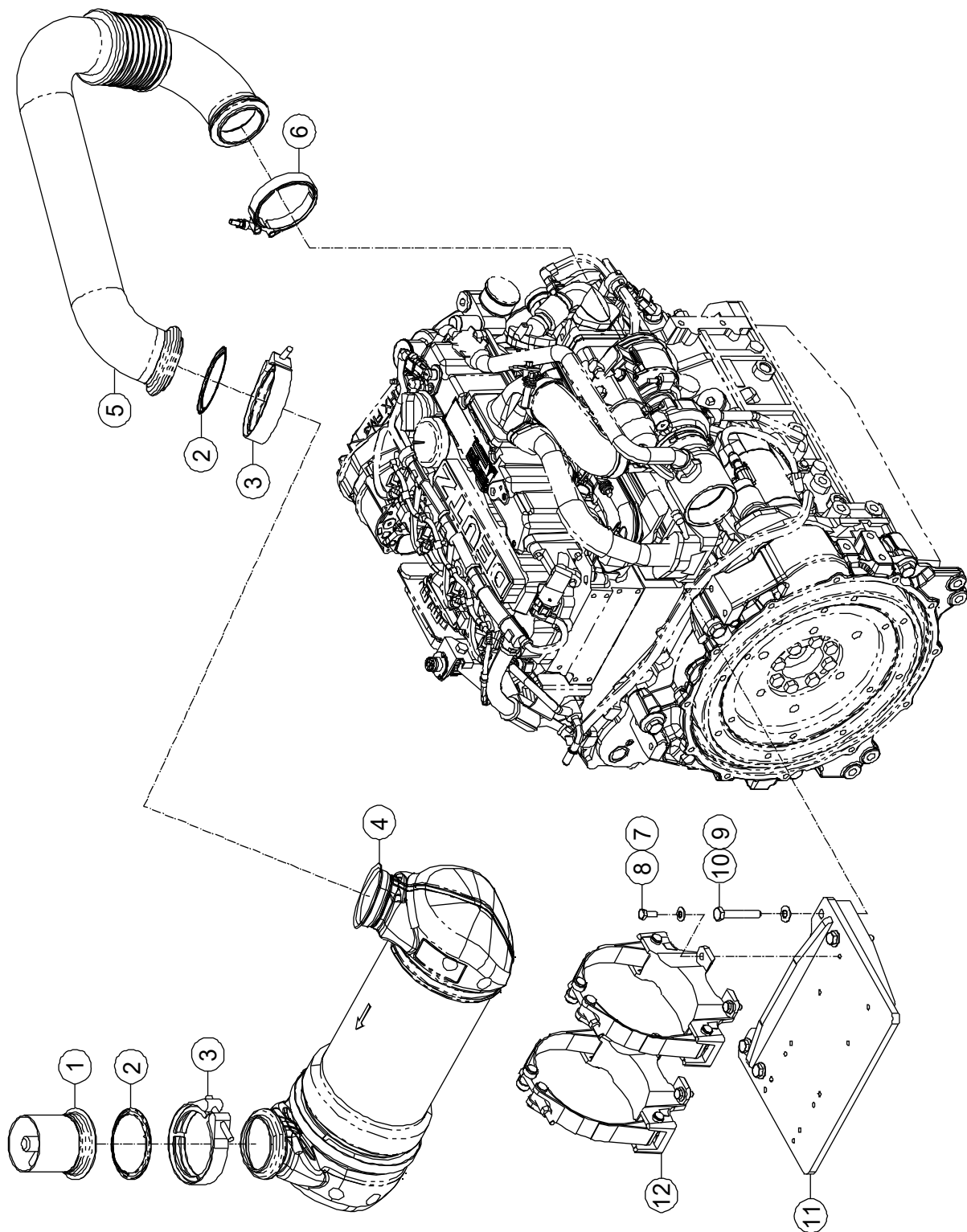
2-22 Engine Suction System Installations (CHINA III)



2-22 Engine Suction System Installations (CHINA III)

Item	Part Number	Description	Qty.	Remark
1	93000626	Bracket	1	
2	90031461	Filter Cartridge	1	
3	90031459	Safety Cartridge	1	
4	90029290	Complete Air Filter	1	
5	90007001	Clamp	1	
6	93000401	Hose	1	
7	90015693	Clamp	2	
8	93000515	Connecting Pipe	1	
9	00006809	Air Filter Sensor	1	
10	50000112	Nut QC/T 885 M6	4	
11	00000623	Nut GB/T 6182 M10	4	
12	93000016	Spring Washer Φ 10.2	8	
13	93000015	Spring Washer Φ 8.2	2	
14	00001063	Bolt GB/T 5783 M8 \times 16	2	
15	00000684	Bolt GB/T 5783 M10 \times 35	4	
16	00000818	Bolt GB/T 5783 M6 \times 16	4	
17	00002583	Flat Washer GB/T 96.1 6	4	

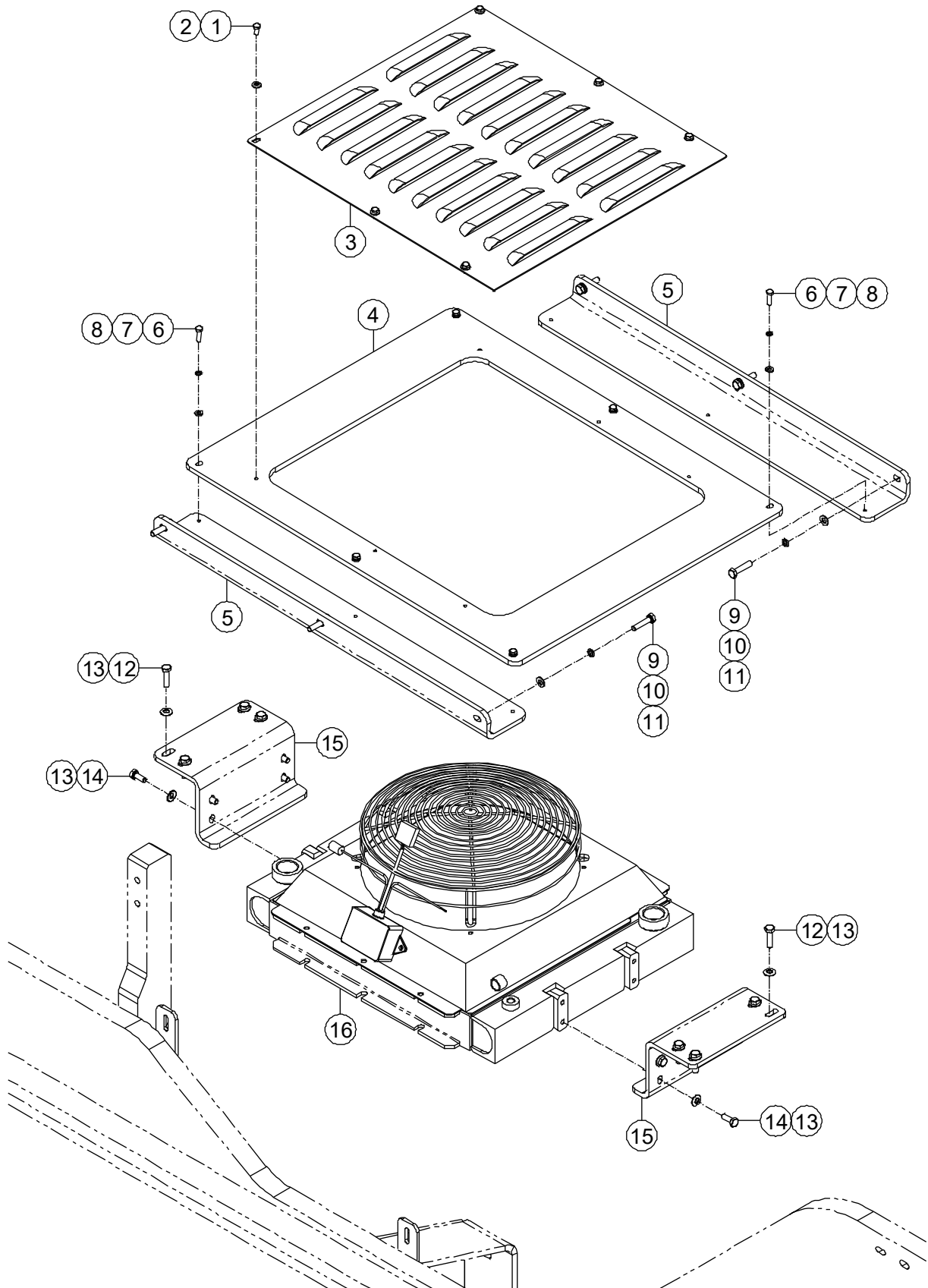
2-23 Engine Exhaust System Installations (CHINA III)



2-23 Engine Exhaust System Installations (CHINA III)

Item	Part Number	Description	Qty.	Remark
1	50009716	Connecting Pipe	1	
2	92048985	Seal	2	
3	92048983	Collar	2	
4	92048790	Catalyst	1	
5	93000543	Connecting Pipe	1	
6	92049045	Collar	1	
7	93000015	Spring Washer $\Phi 8.2$	8	
8	00000875	Bolt GB/T 5783 M8 \times 20	8	
9	93000016	Spring Washer $\Phi 10.2$	4	
10	00005257	Bolt GB/T 5782 M10 \times 65	4	
11	93000554	Support	1	
12	92048989	Support	1	

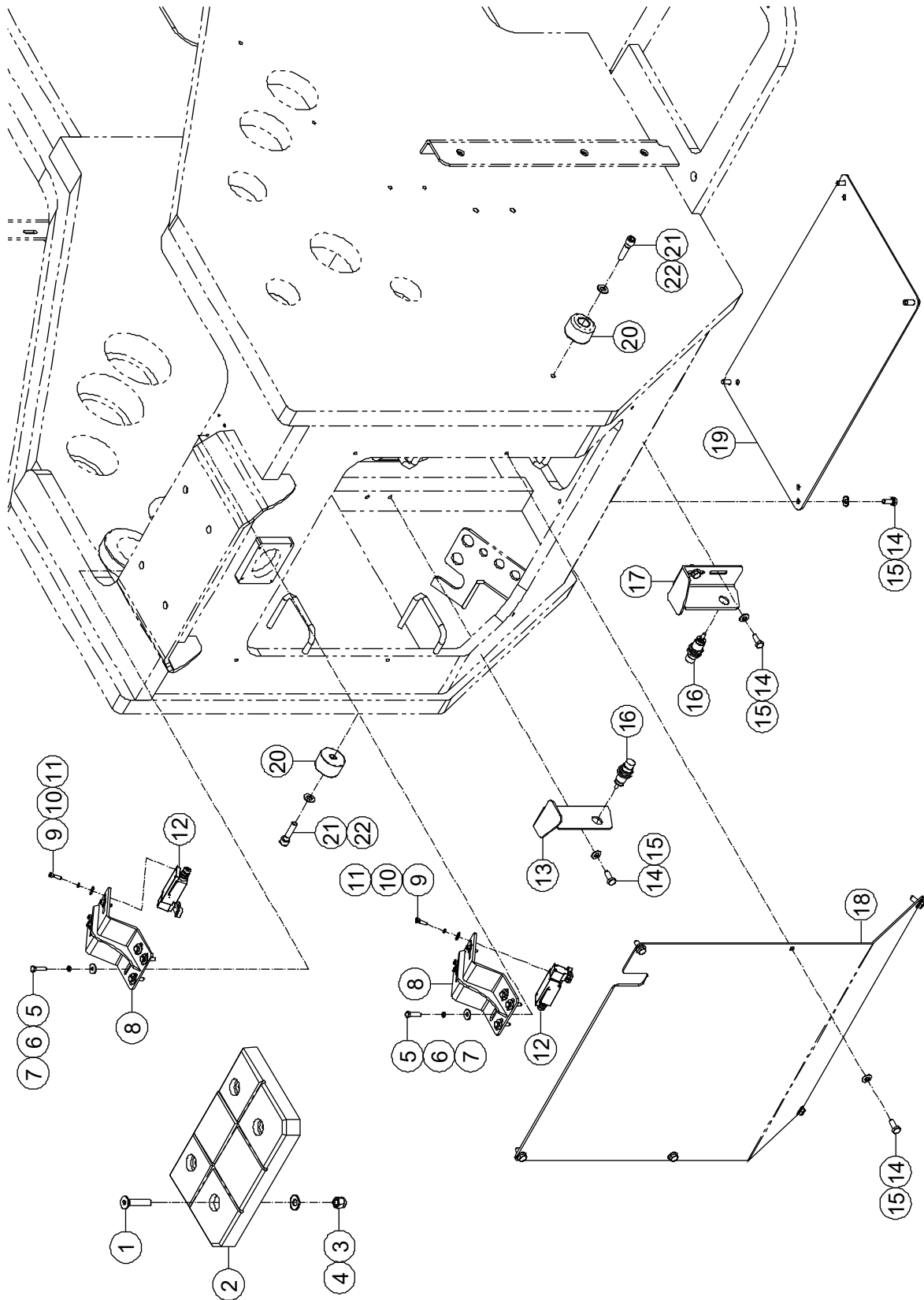
2-24 Hydraulic Cooling System Installations



2-24 Hydraulic Cooling System Installations

Item	Part Number	Description	Qty.	Remark
1	00000745	Bolt GB/T 5783 M6 × 12	6	
2	93000014	Spring Washer Φ6.1	6	
3	93000127	Louver	1	
4	50011819	Bracket	1	
5	50011817	Bracket	2	
6	00000743	Bolt GB/T 5783 M6 × 20	6	
7	00000621	Spring Washer GB/T 93 6	6	
8	00000620	Flat Washer GB/T 97.1 6	6	
9	00002488	Bolt GB/T 5783 M8 × 35	6	
10	00000609	Spring Washer GB/T 93 8	6	
11	00000608	Flat Washer GB/T 97.1 8	6	
12	00000995	Bolt GB/T 5783 M8 × 30	8	
13	93000015	Spring Washer Φ8.2	16	
14	00000875	Bolt GB/T 5783 M8 × 20	8	
15	50010412	Support	2	
16	93000324	Hydraulic Cooling Assembly	1	

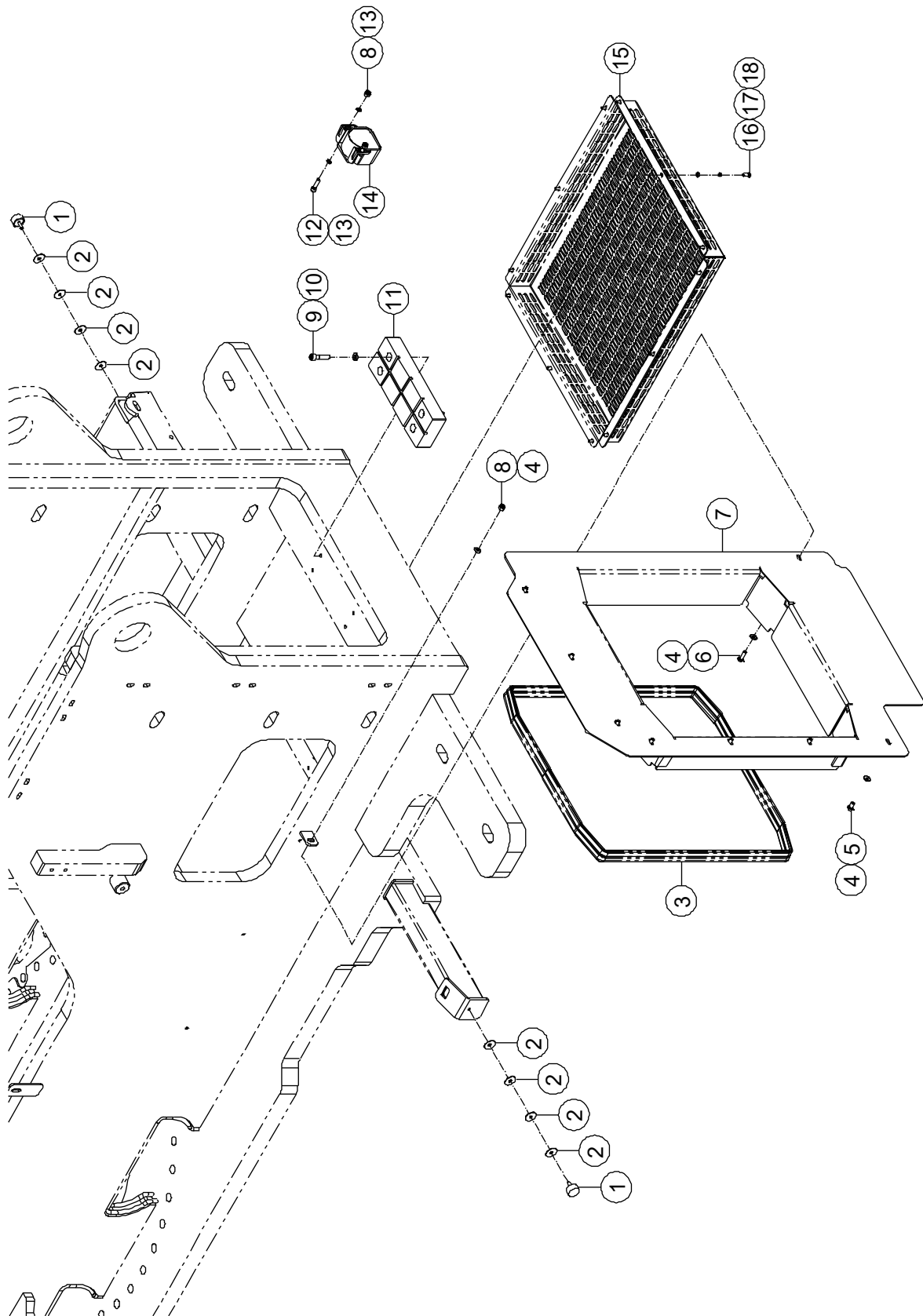
2-25 Turntable Accessories Installations 1



2-25 Turntable Accessories Installations 1

Item	Part Number	Description	Qty.	Remark
1	00000860	Screw GB/T 70.3 M12 × 55	4	
2	93301049	Boom Pad	1	
3	00001249	Nut GB/T 6182 M12	4	
4	93000017	Spring Washer Φ12.4	4	
5	00000619	Bolt GB/T 5783 M6 × 25	8	
6	00000621	Spring Washer GB/T 93 6	8	
7	00002583	Flat Washer GB/T 96.1 6	8	
8	50011746	Bracket	2	
9	00001246	Screw GB/T 70 M5 × 16	8	
10	00000606	Spring Washer GB/T 93 5	8	
11	00003545	Flat Washer GB/T 96.1 5	8	
12	00000748	Switch, Limit	2	
13	50010345	Bracket	1	BA44RT BA41RT
	50011574	Bracket	1	BA36RT
14	93000015	Spring Washer Φ8.2	14	
15	00000875	Bolt GB/T 5783 M8 × 20	14	
16	00006642	Proximity Switch	2	
17	50010347	Bracket	1	BA44RT BA41RT
	50011576	Bracket	1	BA36RT
18	50010350	Housing	1	
19	50010444	Housing	1	
20	50011815	Rubber Mounting	2	
21	00002050	Screw GB/T 70 M10 × 40	2	
22	00000615	Flat Washer GB/T 97.1 10	2	

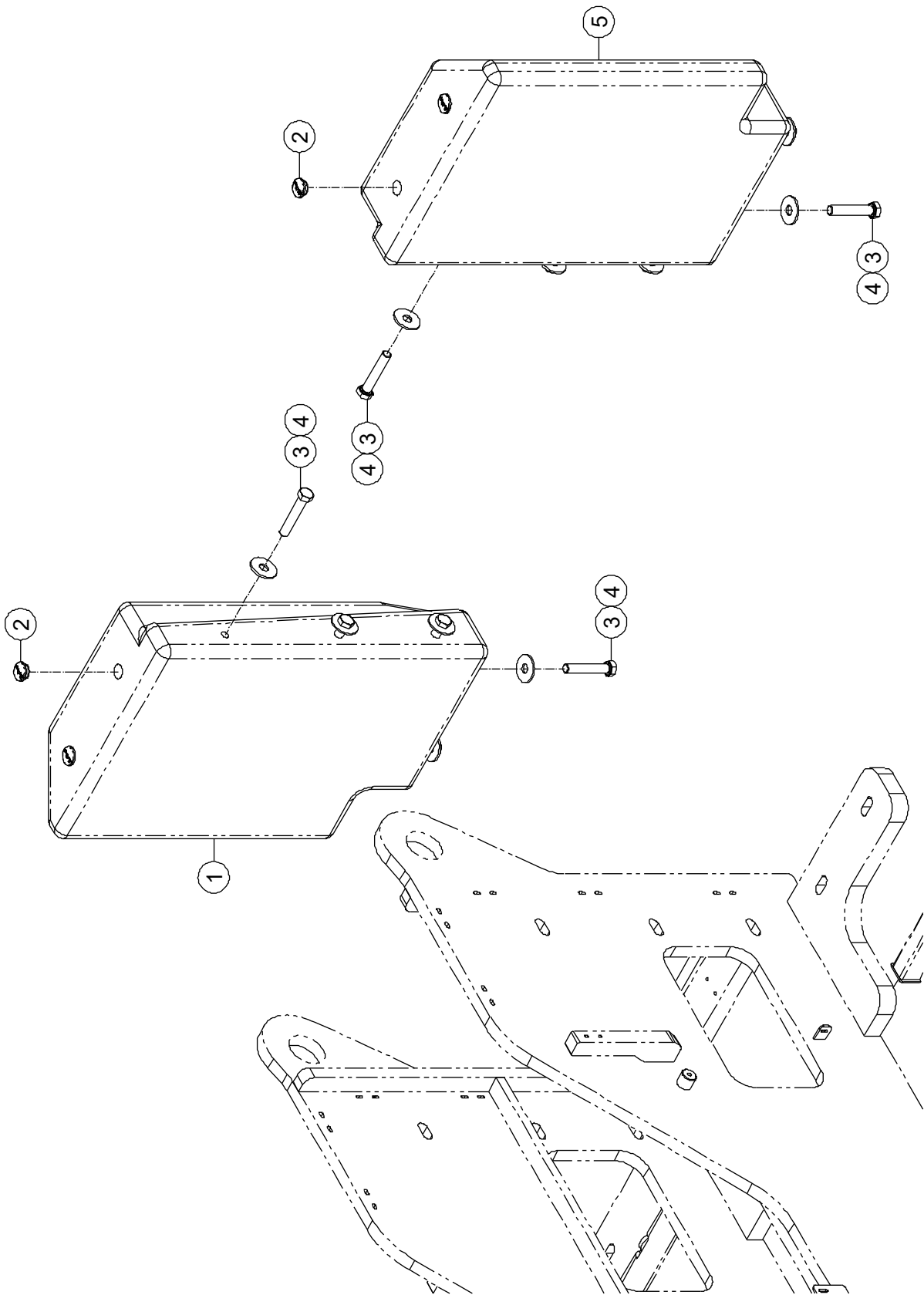
2-26 Turntable Accessories Installations 2



2-26 Turntable Accessories Installations 2

Item	Part Number	Description	Qty.	Remark
1	93303714	Rubber Mounting	2	
2	93000295	Shim	8	
3	93200345	Seal	1	
4	93000015	Spring Washer $\Phi 8.2$	9	
5	00001063	Bolt GB/T 5783 M8 \times 16	7	
6	00000993	Bolt GB/T 5783 M8 \times 25	1	
7	50010432	Baffle	1	
8	00001163	Nut GB/T 6182 M8	3	
9	00002058	Screw GB/T 70 M10 \times 45	4	
10	00000615	Flat Washer GB/T 97.1 10	4	
11	92100189	Boom Pad	1	
12	00002560	Screw GB/T 70 M8 \times 30	2	
13	93305785	Spring Washer $\Phi 8.2$	4	
14	00004438	Alarm	1	
15	50011821	Housing	1	
16	00000818	Bolt GB/T 5783 M6 \times 16	12	
17	00000621	Spring Washer GB/T 93 6	12	
18	00000620	Flat Washer GB/T 97.1 6	12	

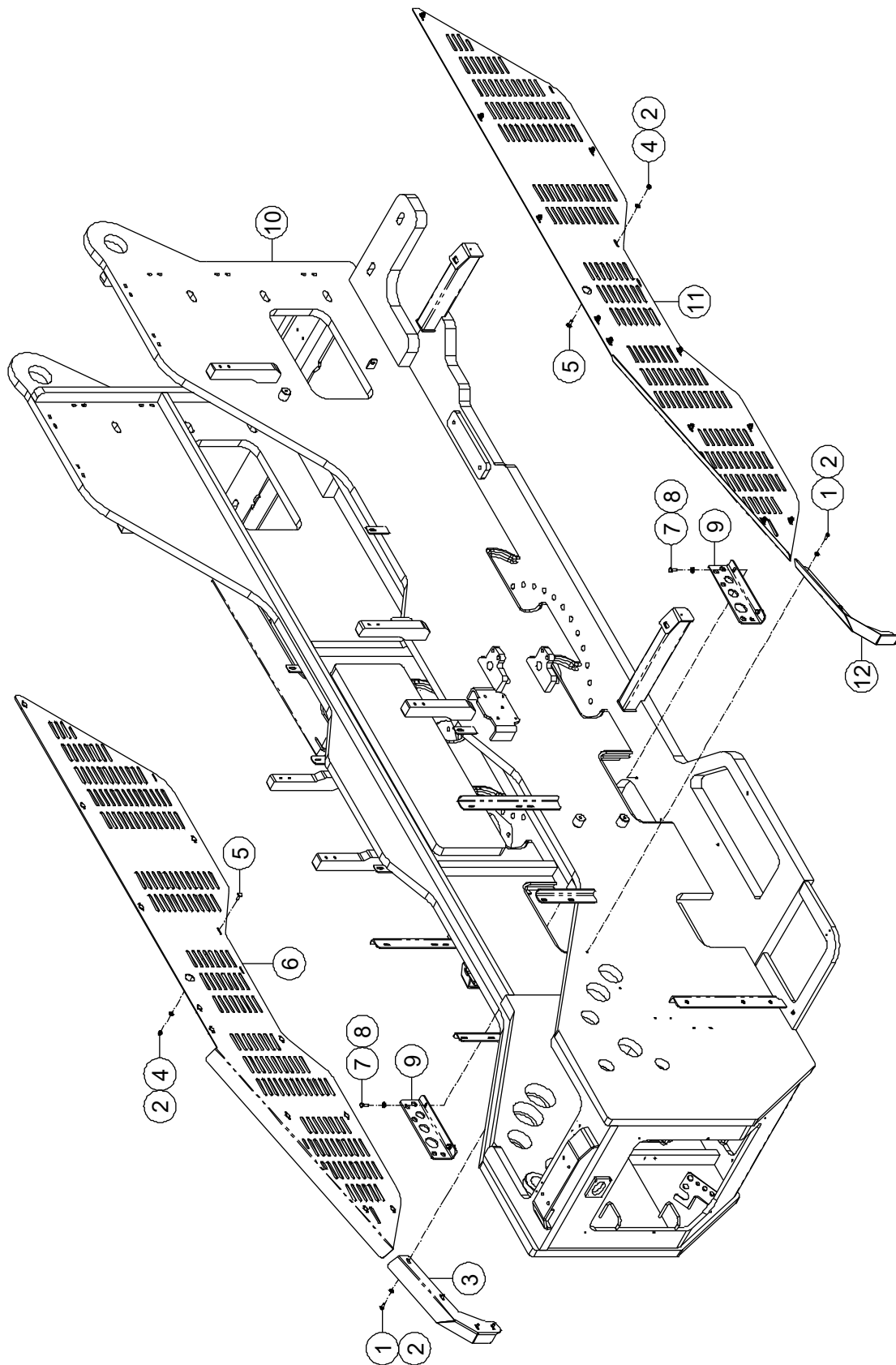
2-27 Counterweight Installations



2-27 Counterweight Installations

Item	Part Number	Description	Qty.	Remark
1	50010436	Counterweight	1	
2	10014561	Plug	4	
3	00002233	Bolt GB/T 5783 M24 × 130	10	
4	00001152	Flat Washer GB/T 96.1 24	10	
5	50010438	Counterweight	1	

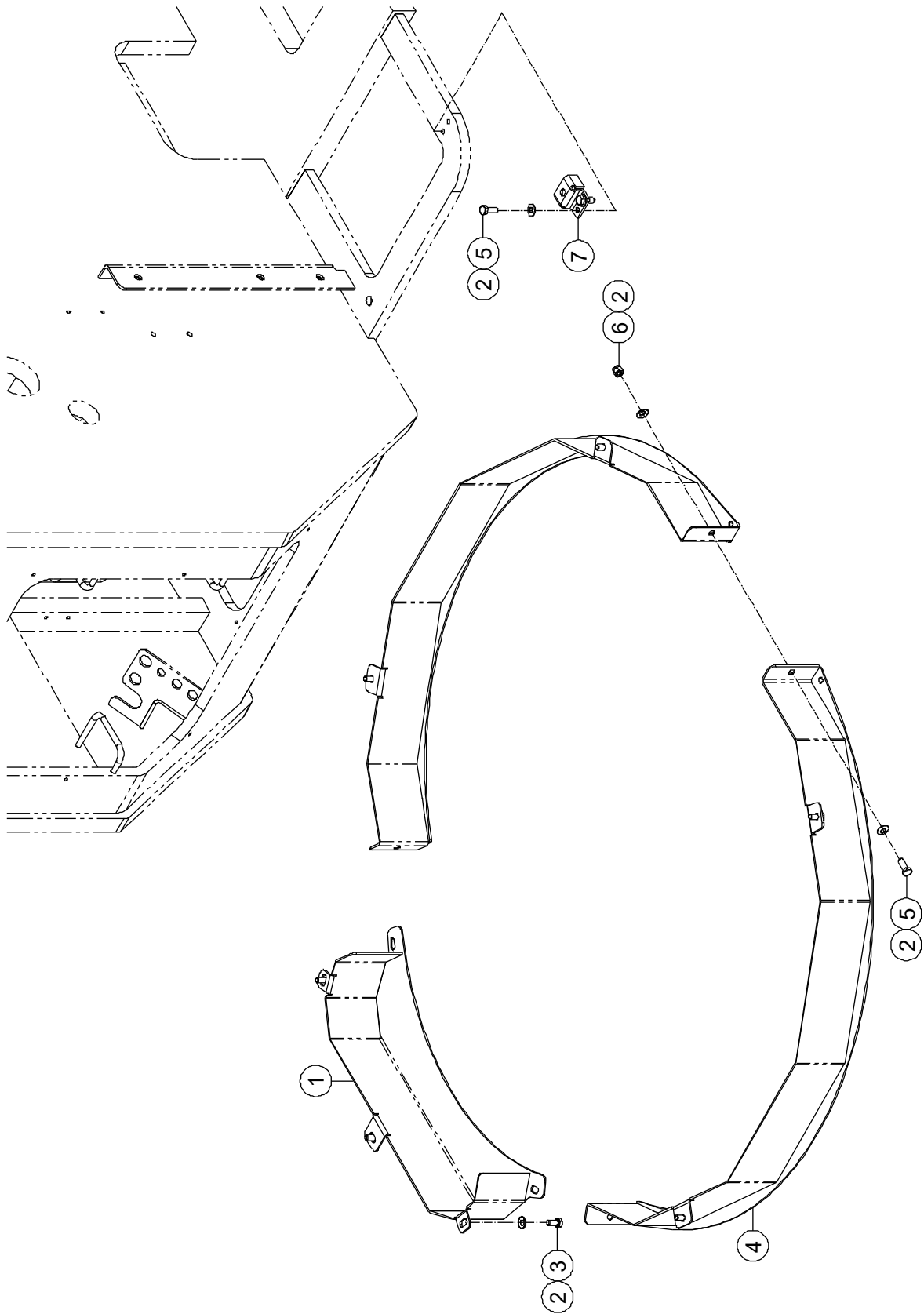
2-28 Cover Installations



2-28 Cover Installations

Item	Part Number	Description	Qty.	Remark
1	00000875	Bolt GB/T 5783 M8 × 20	8	
2	93000015	Spring Washer Φ8.2	32	
3	50010442	Cover	1	
4	00001163	Nut GB/T 6182 M8	24	
5	00009807	Bolt GB/T 14 M8 × 25	24	
6	50010354	Cover	1	
7	00000678	Bolt GB/T 5783 M10 × 25	4	
8	93000016	Spring Washer Φ10.2	4	
9	50010446	Bracket	2	
10	50010355	Turntable	1	
11	50010352	Cover	1	
12	50010440	Cover	1	

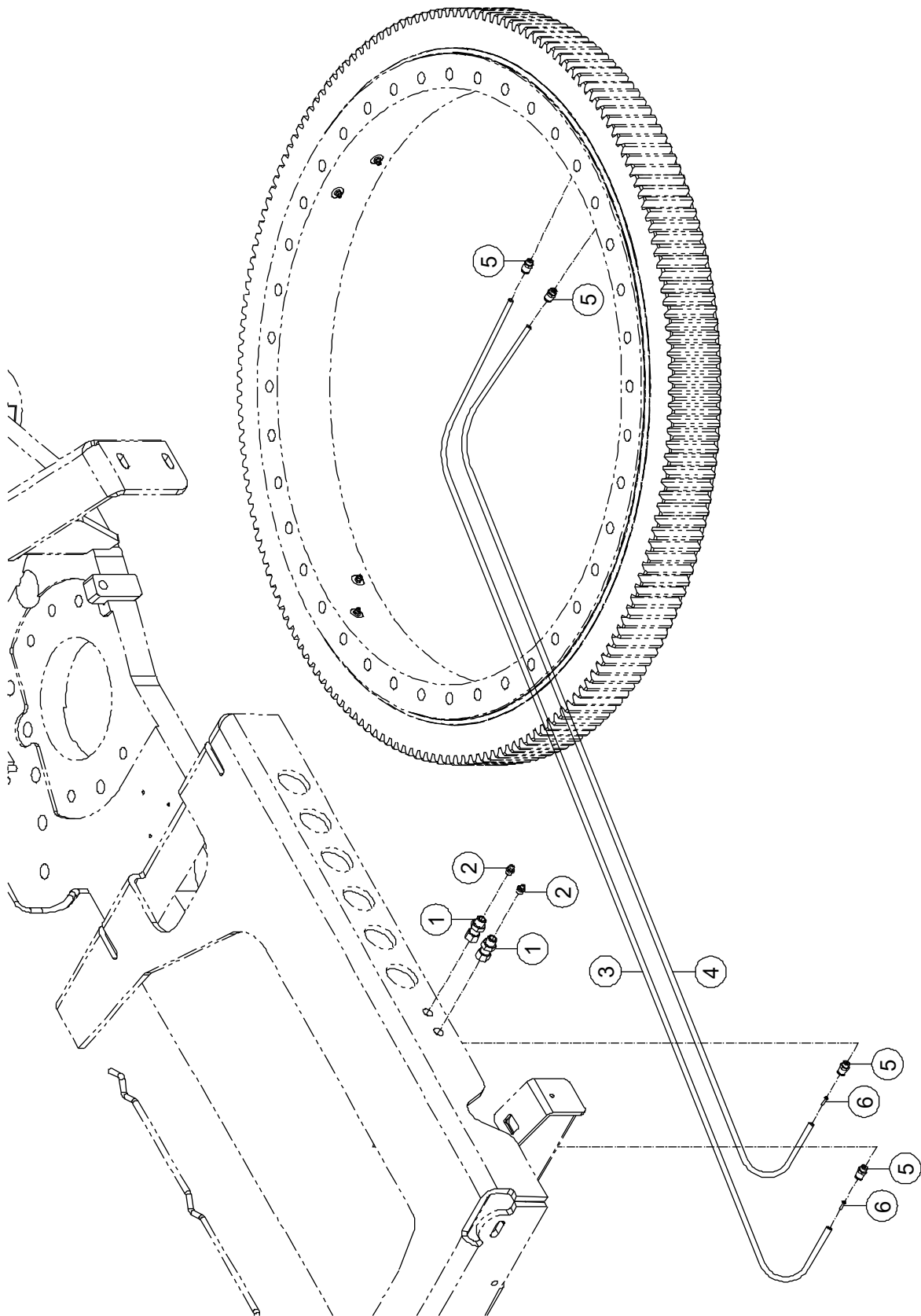
2-29 Housing Installations



2-29 Housing Installations

Item	Part Number	Description	Qty.	Remark
1	93300687	Housing	1	
2	93000016	Spring Washer Φ 10.2	11	
3	00000674	Bolt GB/T 5783 M10 \times 20	7	
4	93200257	Housing	2	
5	00000678	Bolt GB/T 5783 M10 \times 25	3	
6	00000623	Nut GB/T 6182 M10	1	
7	93000845	Support	1	

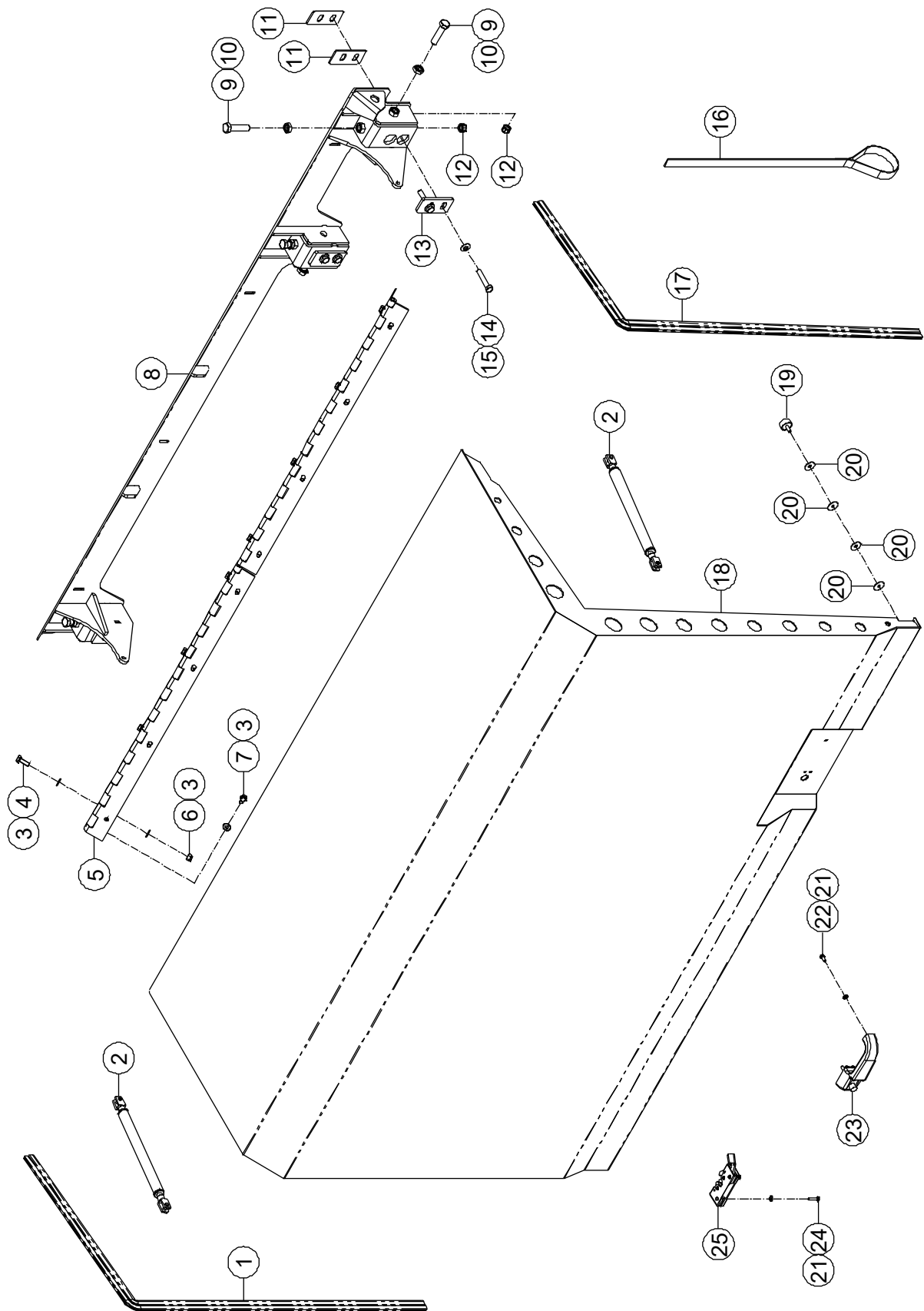
2-30 Grease System Installations



2-30 Grease System Installations

Item	Part Number	Description	Qty.	Remark
1	93000115	Fitting	2	
2	93300962	Grease Nipple	2	
3	50010801	Hose	1	
4	50010802	Hose	1	
5	93300963	Fitting	4	
6	93300964	Brass Sleeve	4	

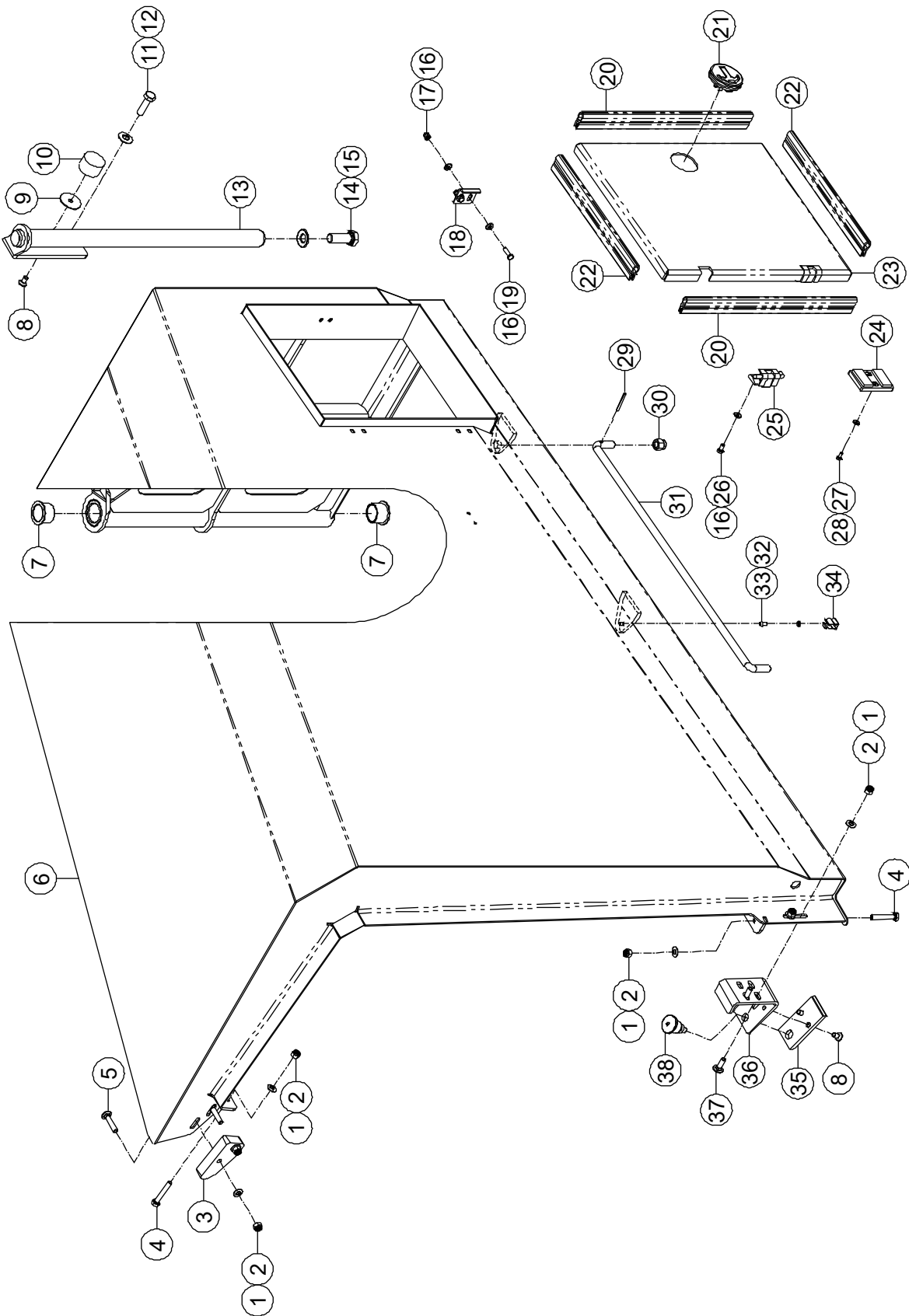
2-31 Turntable Hood Installations 1



2-31 Turntable Hood Installations 1

Item	Part Number	Description	Qty.	Remark
1	50010969	Seal	1	
2	93300700	Spring, Gas	2	
3	93000016	Spring Washer Φ 10.2	24	
4	00000683	Bolt GB/T 5783 M10 \times 30	8	
5	93300697	Hinge	2	
6	00000623	Nut GB/T 6182 M10	8	
7	00000674	Bolt GB/T 5783 M10 \times 20	8	
8	50010967	Bracket	1	
9	00002463	Bolt GB/T 5783 M16 \times 65	5	
10	00002611	Nut GB/T 6172.1 M16	5	
11	93000568	Shim	6	
12	93300698	Screw Cap	5	
13	93300701	Shim	3	
14	00002516	Bolt GB/T 5783 M12 \times 65	6	
15	93000017	Spring Washer Φ 12.4	6	
16	93000794	Tie (From SN BART023L00015)	1	
17	93200373	Seal	1	
18	50010910	Turntable Hood (Right Middle)	1	
19	93303714	Rubber Mounting	2	
20	93000295	Shim	8	
21	93000014	Spring Washer Φ 6.1	7	
22	00000818	Bolt GB/T 5783 M6 \times 16	3	
23	50000524	Doorknob	1	
24	00000775	Bolt GB/T 5783 M6 \times 30	4	
25	10000481	Lock	1	

2-32 Turntable Hood Installations 2



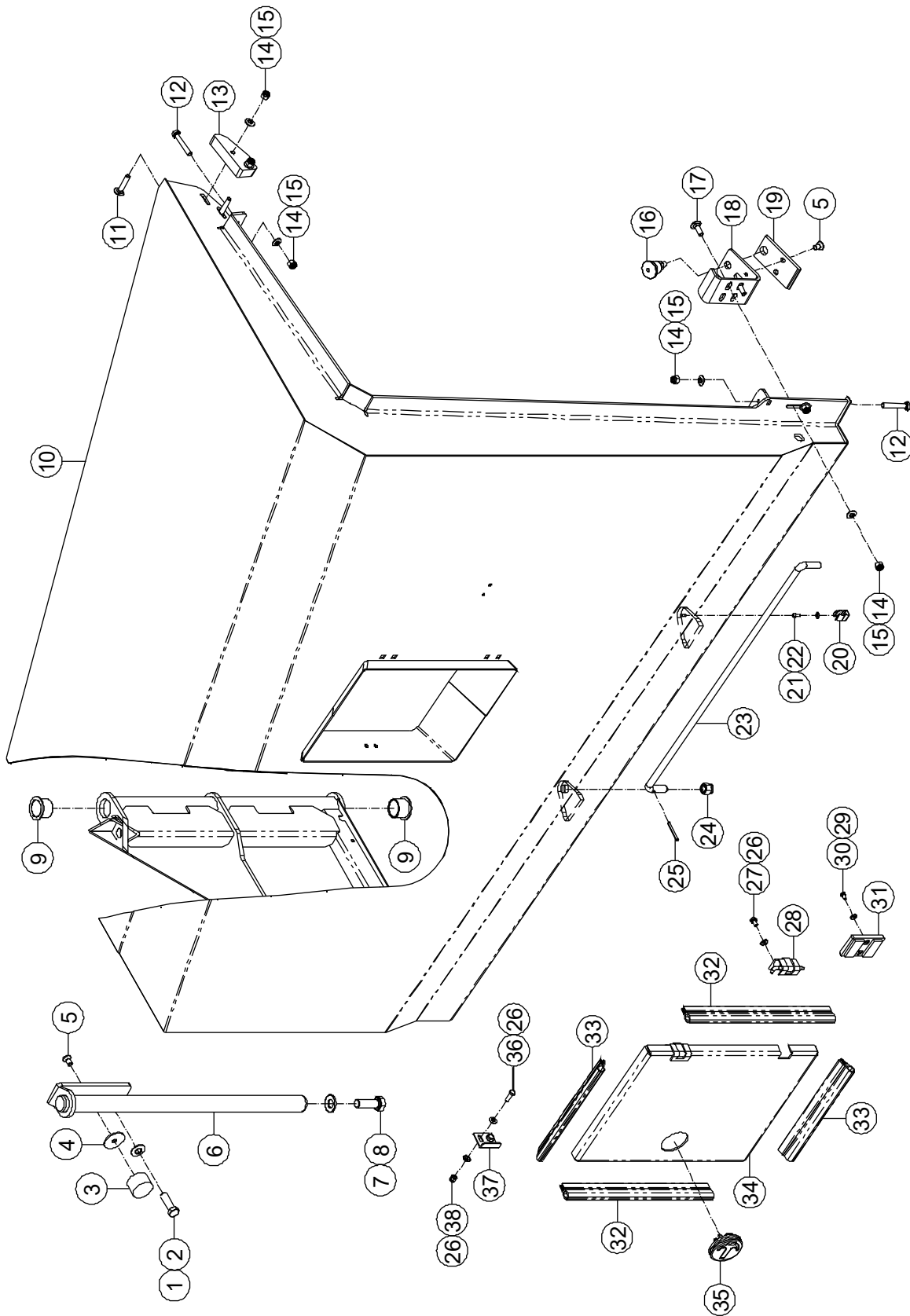
2-32 Turntable Hood Installations 2

Item	Part Number	Description	Qty.	Remark
1	93000015	Spring Washer $\Phi 8.2$	6	
2	00001163	Nut GB/T 6182 M8	6	
3	93300917	Space	1	
4	00003607	Bolt GB/T 5783 M8 \times 50	2	
5	00009813	Bolt GB/T 14 M8 \times 40	2	
6	50010806	Turntable Hood (Right Front)	1	
7	00012881	8821-3026 Sleeve Bearing	2	
8	00000837	Screw GB/T 70.3 M8 \times 16	3	
9	93000296	Shim	1	
10	93300919	Rubber Mounting	1	
11	00001055	Bolt GB/T 5783 M12 \times 40	2	
12	93000017	Spring Washer $\Phi 12.4$	2	
13	93200367	Pin	1	
14	00001057	Bolt GB/T 5783 M16 \times 45	1	
15	93305316	Spring Washer $\Phi 16.4$	1	
16	93000014	Spring Washer $\Phi 6.1$	8	
17	00001033	Nut GB/T 6182 M6	2	
18	93300941	Support	1	
19	00000743	Bolt GB/T 5783 M6 \times 20	2	
20	93200514	Seal	2	
21	93300934	Lock	1	
22	93200513	Seal	2	
23	93300923	Housing	1	
24	93300938	Magnet	1	
25	93300935	Hinge	2	
26	00000745	Bolt GB/T 5783 M6 \times 12	4	
27	00002406	Bolt GB/T 5783 M5 \times 10	2	
28	93000013	Spring Washer $\Phi 5.1$	2	
29	00005736	Pin GB/T 879.1 4 \times 40	1	

2-32 Turntable Hood Installations 2 (Continued)

Item	Part Number	Description	Qty.	Remark
30	00001249	Nut GB/T 6182 M12	1	
31	93000849	Stay Bar	1	
32	00000605	Flat Washer GB/T 97.1 5	1	
33	00001229	Screw GB/T 70.2 M5×10	1	
34	93000848	Clamp	1	
35	93300916	Space	1	
36	93200360	Bracket	1	
37	00009807	Bolt GB/T 14 M8×25	2	
38	93300918	Plunger Pin	1	

2-33 Turntable Hood Installations 3



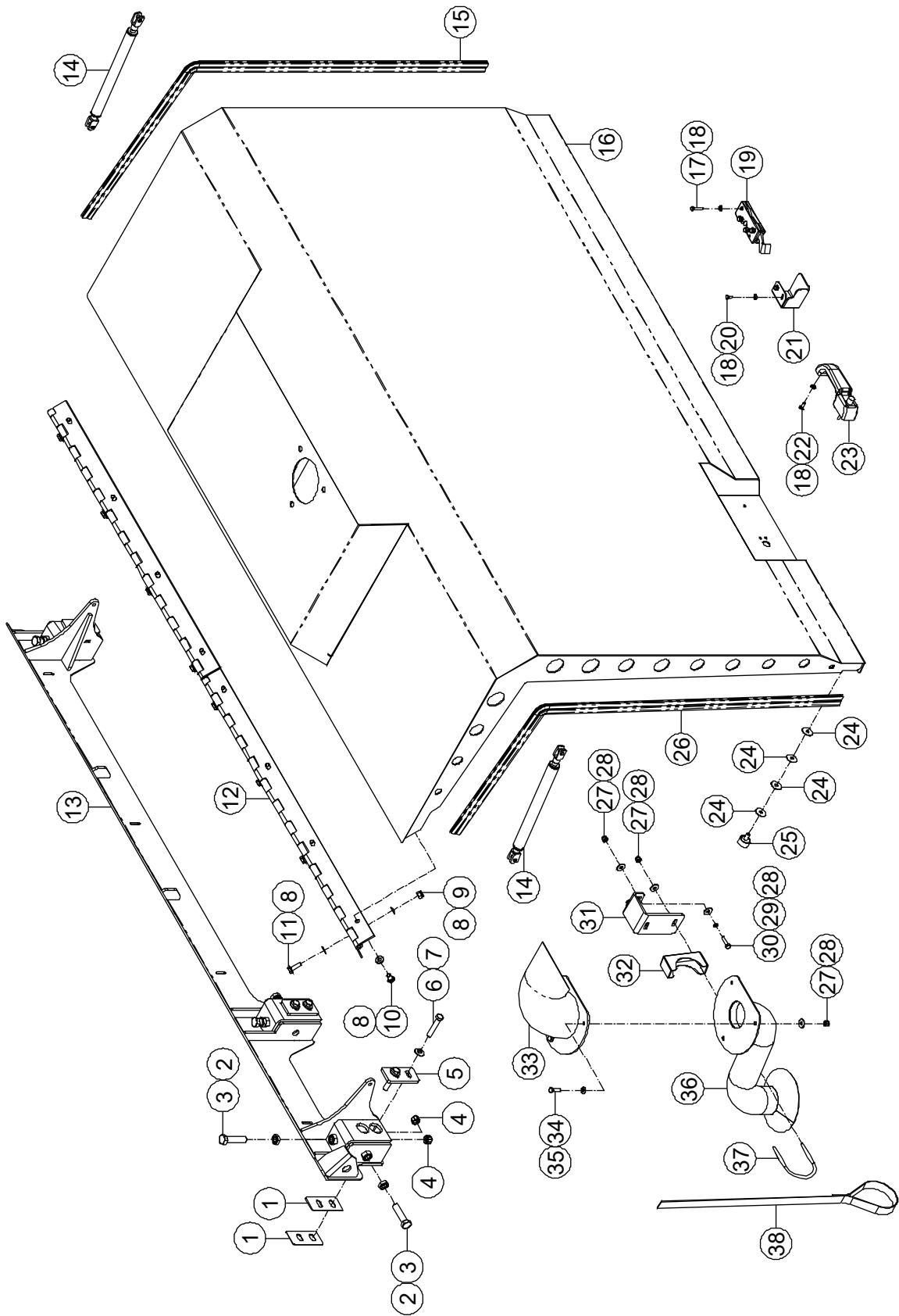
2-33 Turntable Hood Installations 3

Item	Part Number	Description	Qty.	Remark
1	93000017	Spring Washer $\Phi 12.4$	2	
2	00001055	Bolt GB/T 5783 M12 \times 40	2	
3	93300919	Rubber Mounting	1	
4	93000296	Shim	1	
5	00000837	Screw GB/T 70.3 M8 \times 16	3	
6	93200362	Pin	1	
7	93305316	Spring Washer $\Phi 16.4$	1	
8	00001057	Bolt GB/T 5783 M16 \times 45	1	
9	00012881	8821-3026 Sleeve Bearing	2	
10	93200050	Turntable Hood (Left Front)	1	
11	00009813	Bolt GB/T 14 M8 \times 40	2	
12	00003607	Bolt GB/T 5783 M8 \times 50	2	
13	93300917	Space	1	
14	00001163	Nut GB/T 6182 M8	6	
15	93000015	Spring Washer $\Phi 8.2$	6	
16	93300918	Plunger Pin	1	
17	00009807	Bolt GB/T 14 M8 \times 25	2	
18	93200360	Bracket	1	
19	93300916	Space	1	
20	93000848	Clamp	1	
21	00000605	Flat Washer GB/T 97.1 5	1	
22	00001229	Screw GB/T 70.2 M5 \times 10	1	
23	93000849	Stay Bar	1	
24	00001249	Nut GB/T 6182 M12	1	
25	00005736	Pin GB/T 879.1 4 \times 40	1	
26	93000014	Spring Washer $\Phi 6.1$	8	
27	00000745	Bolt GB/T 5783 M6 \times 12	4	
28	93300935	Hinge	2	
29	93000013	Spring Washer $\Phi 5.1$	2	

2-33 Turntable Hood Installations 3 (Continued)

Item	Part Number	Description	Qty.	Remark
30	00002406	Bolt GB/T 5783 M5 × 10	2	
31	93300938	Magnet	1	
32	93200511	Seal	2	
33	93200512	Seal	2	
34	93300930	Housing	1	
35	93300934	Lock	1	
36	00000743	Bolt GB/T 5783 M6 × 20	2	
37	93300941	Support	1	
38	00001033	Nut GB/T 6182 M6	2	

2-34 Turntable Hood Installations 4



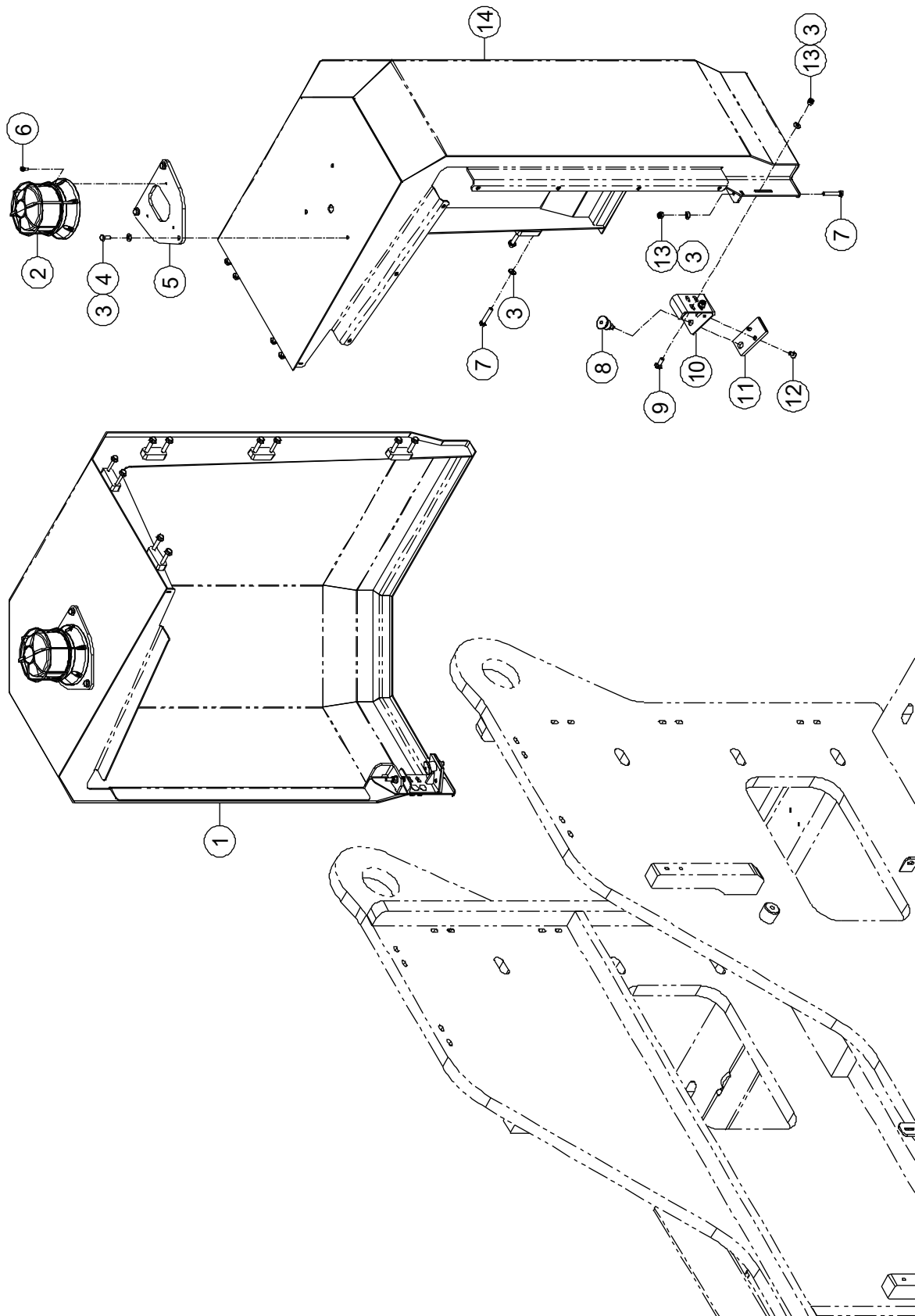
2-34 Turntable Hood Installations 4

Item	Part Number	Description	Qty.	Remark
1	93000568	Shim	6	
2	00002611	Nut GB/T 6172.1 M16	5	
3	00002463	Bolt GB/T 5783 M16 × 65	5	
4	93300698	Screw Cap	5	
5	93300701	Shim	3	
6	00002516	Bolt GB/T 5783 M12 × 65	6	
7	93000017	Spring Washer Φ12.4	6	
8	93000016	Spring Washer Φ10.2	24	
9	00000623	Nut GB/T 6182 M10	8	
10	00000674	Bolt GB/T 5783 M10 × 20	8	
11	00000683	Bolt GB/T 5783 M10 × 30	8	
12	93300697	Hinge	2	
13	50010959	Bracket	1	
14	93300700	Spring, Gas	2	
15	50010969	Seal	1	
16	50010805	Turntable Hood (Left Middle)	1	
17	00000775	Bolt GB/T 5783 M6 × 30	4	
18	93000014	Spring Washer Φ6.1	9	
19	10000481	Lock	1	
20	00000745	Bolt GB/T 5783 M6 × 12	2	
21	93300920	Housing	1	
22	00000818	Bolt GB/T 5783 M6 × 16	3	
23	50000524	Doorknob	1	
24	93000295	Shim	8	
25	93303714	Rubber Mounting	2	
26	93200373	Seal	1	
27	00001163	Nut GB/T 6182 M8	7	
28	00002000	Flat Washer GB/T 96.1 8	9	
29	00000609	Spring Washer GB/T 93 8	2	

2-34 Turntable Hood Installations 4 (Continued)

Item	Part Number	Description	Qty.	Remark
30	00000995	Bolt GB/T 5783 M8 × 30	2	
31	93000861	Bracket	1	
32	93000536	Bracket	1	
33	93200350	Exhaust Tube	1	
34	00000993	Bolt GB/T 5783 M8 × 25	3	
35	93000015	Spring Washer Φ8.2	3	
36	93000855	Connecting Pipe	1	EU V CHINA IV
	93000859	Connecting Pipe	1	CHINA III
37	93000535	Clamp	1	
38	93000794	Tie	1	

2-35 Turntable Hood Installations 5

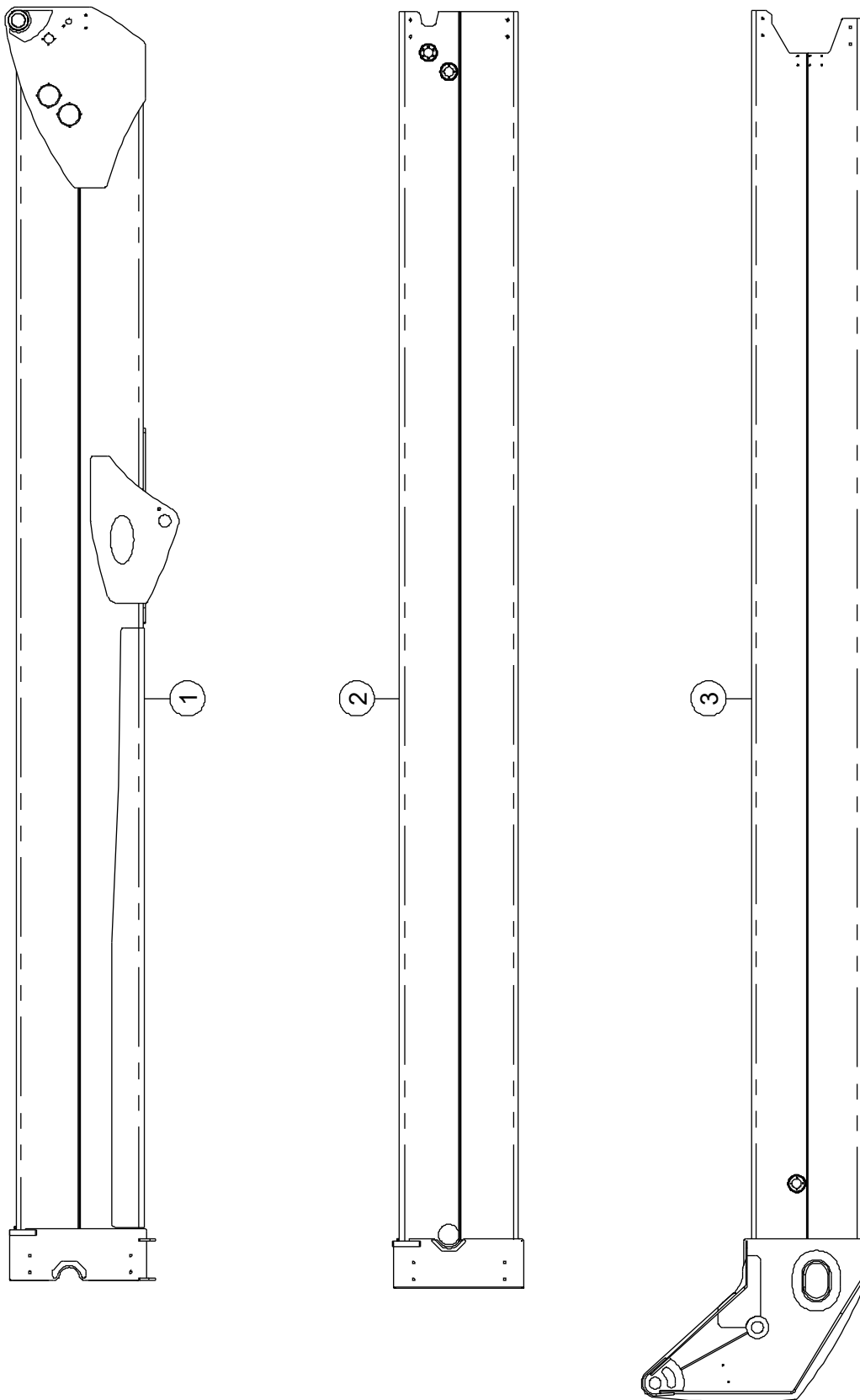


2-35 Turntable Hood Installations 5

Item	Part Number	Description	Qty.	Remark
1	50010943	Turntable Hood (Right Rear)	1	
2	00004757	Beacon	2	
3	93000015	Spring Washer $\Phi 8.2$	32	
4	00000875	Bolt GB/T 5783 M8 \times 20	6	
5	93300931	Plate	2	
6	00002029	Screw GB/T 70 M6 \times 12	6	
7	00003607	Bolt GB/T 5783 M8 \times 50	22	
8	93300918	Plunger Pin	2	
9	00009807	Bolt GB/T 14 M8 \times 25	4	
10	93200360	Bracket	2	
11	93300916	Space	2	
12	00000837	Screw GB/T 70.3 M8 \times 16	4	
13	00001163	Nut GB/T 6182 M8	6	
14	50010951	Turntable Hood (Left Rear)	1	

Section 3 Boom

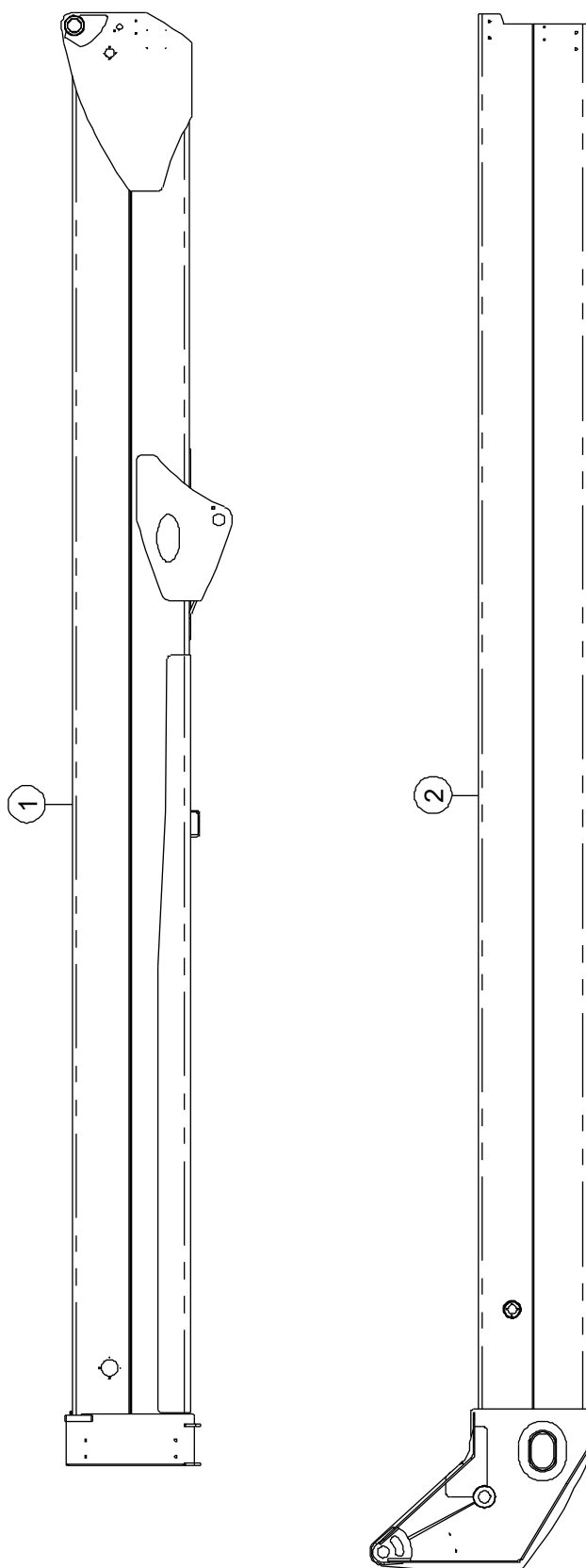
3-1 Tower Boom (BA44RT, BA41RT)



3-1 Tower Boom (BA44RT, BA41RT)

Item	Part Number	Description	Qty.	Remark
1	50010650	Tower Base Boom	1	
2	50010702	Tower Second Boom	1	
3	50010734	Tower Third Boom	1	

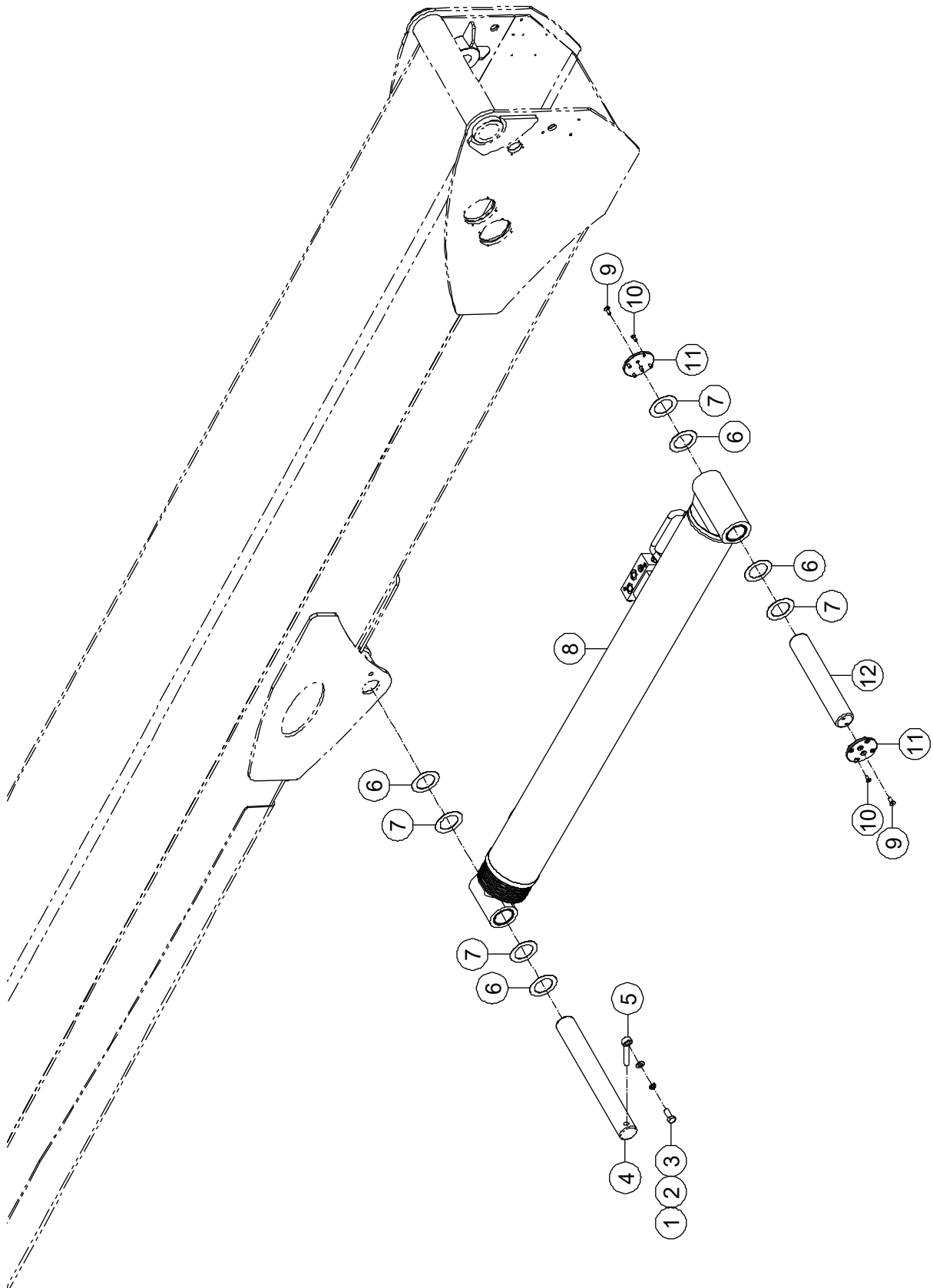
3-2 Tower Boom (BA36RT)



3-2 Tower Boom (BA36RT)

Item	Part Number	Description	Qty.	Remark
1	50011412	Tower Base Boom	1	
2	50011434	Tower Second Boom	1	

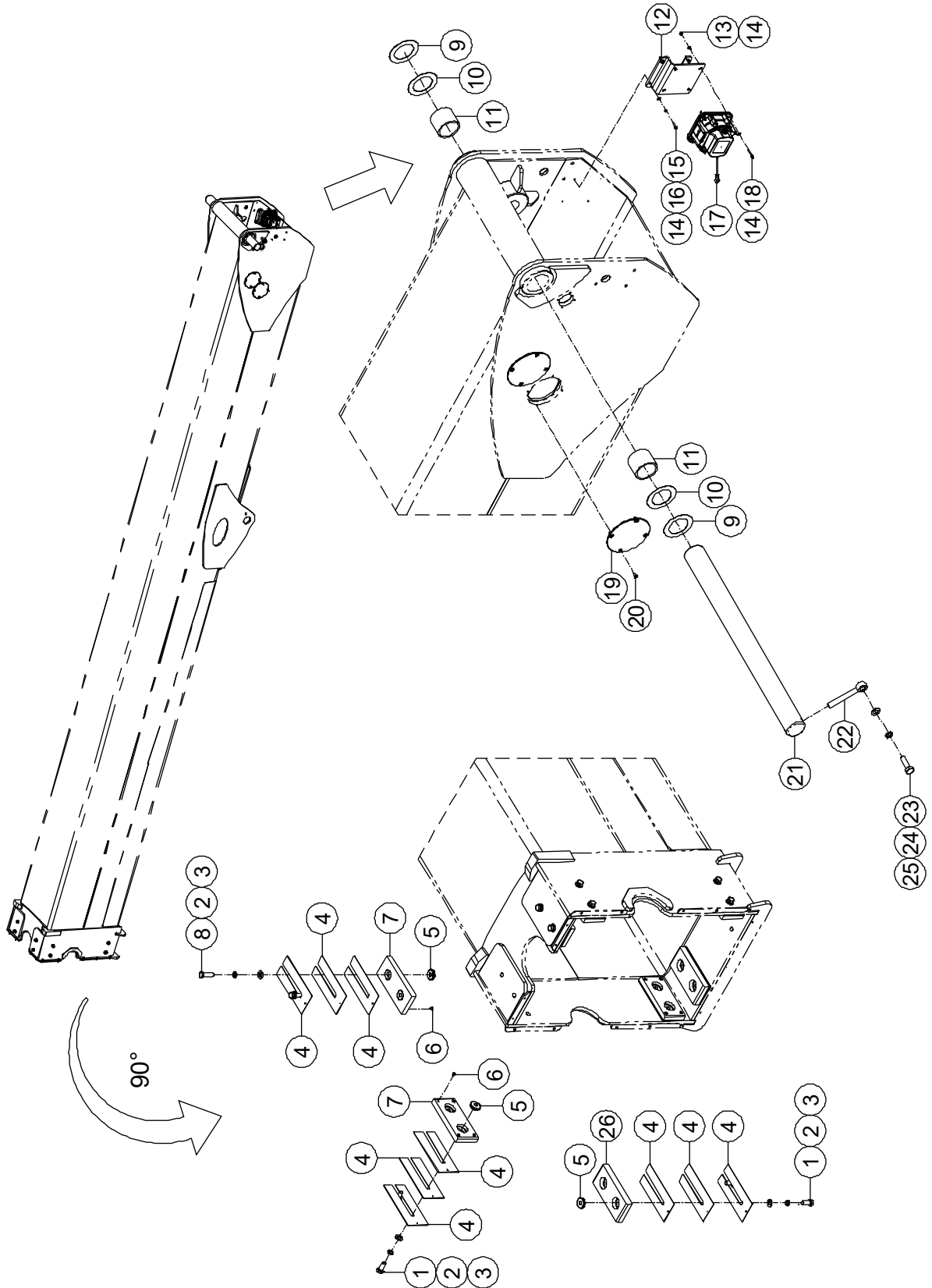
3-3 Tower Lifting Cylinder Assembly Installations



3-3 Tower Lifting Cylinder Assembly Installations

Item	Part Number	Description	Qty.	Remark
1	00000997	Flat Washer GB/T 97.1 16	1	
2	00001035	Spring Washer GB/T 93 16	1	
3	00001161	Bolt GB/T 5783 M16 × 40	1	
4	00012228	895-65512 Pin, Pivot	1	BA44RT BA41RT
	00012373	895-65470 Pin, Pivot	1	BA36RT
5	00000223	8902-16120 Pin, Lock	1	
6	92051390	Shim	4	
7	92051388	Shim	4	
8		Tower Lifting Cylinder Assembly (<i>Refer to 5-3</i>)	1	
9	00000846	Screw GB/T 70.3 M10×25	4	
10	00000765	Screw GB/T 70.3 M8×20	8	
11	50010473	Cover	2	
12	00012223	893C-65390 Pin, Pivot	1	

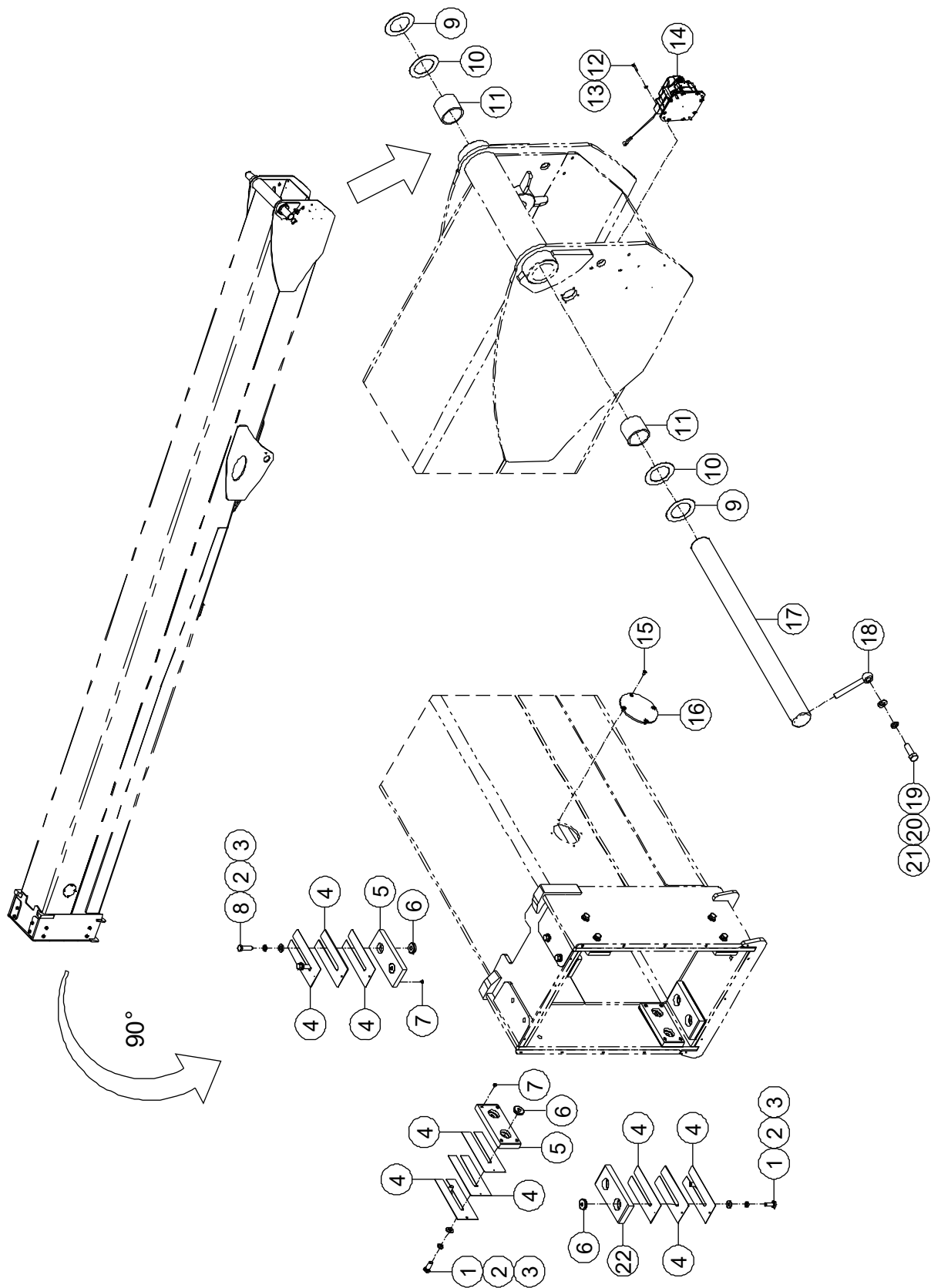
3-4 Tower Base Boom Sliding Block Installations (BA44RT, BA41RT)



3-4 Tower Base Boom Sliding Block Installations (BA44RT, BA41RT)

Item	Part Number	Description	Qty.	Remark
1	00006122	Bolt GB/T 5786 M12×1.25 × 30	12	
2	00000815	Spring Washer GB/T 93 12	16	
3	00000814	Flat Washer GB/T 97.1 12	16	
4	92000111	Shim	24	
5	92000169	Insert	16	
6	92009458	Plug	24	
7	92000121	Sliding Block	6	
8	00005011	Bolt GB/T 5786 M12×1.5 × 40	4	
9	92051390	Shim	2	
10	92051388	Shim	2	
11	92048436	8813-657560 Sleeve Bearing	2	
12	50010696	Bracket	1	
13	00000688	Nut GB/T 6170 M5	4	
14	00000605	Flat Washer GB/T 97.1 5	12	
15	00002268	Bolt GB/T 5783 M5 × 20	4	
16	00000606	Spring Washer GB/T 93 5	8	
17	93300023	Length Angle Sensor	1	
18	00002484	Screw GB/T 70 M5 × 25	4	
19	50010515	Cover	4	
20	00000830	Screw GB/T 70.3 M6×16	16	
21	00012229	895-65775 Pin, Pivot	1	
22	00000223	8902-16120 Pin, Lock	1	
23	00001036	Bolt GB/T 5783 M16 × 50	1	
24	00001035	Spring Washer GB/T 93 16	1	
25	00000997	Flat Washer GB/T 97.1 16	1	
26	50010692	Sliding Block	2	

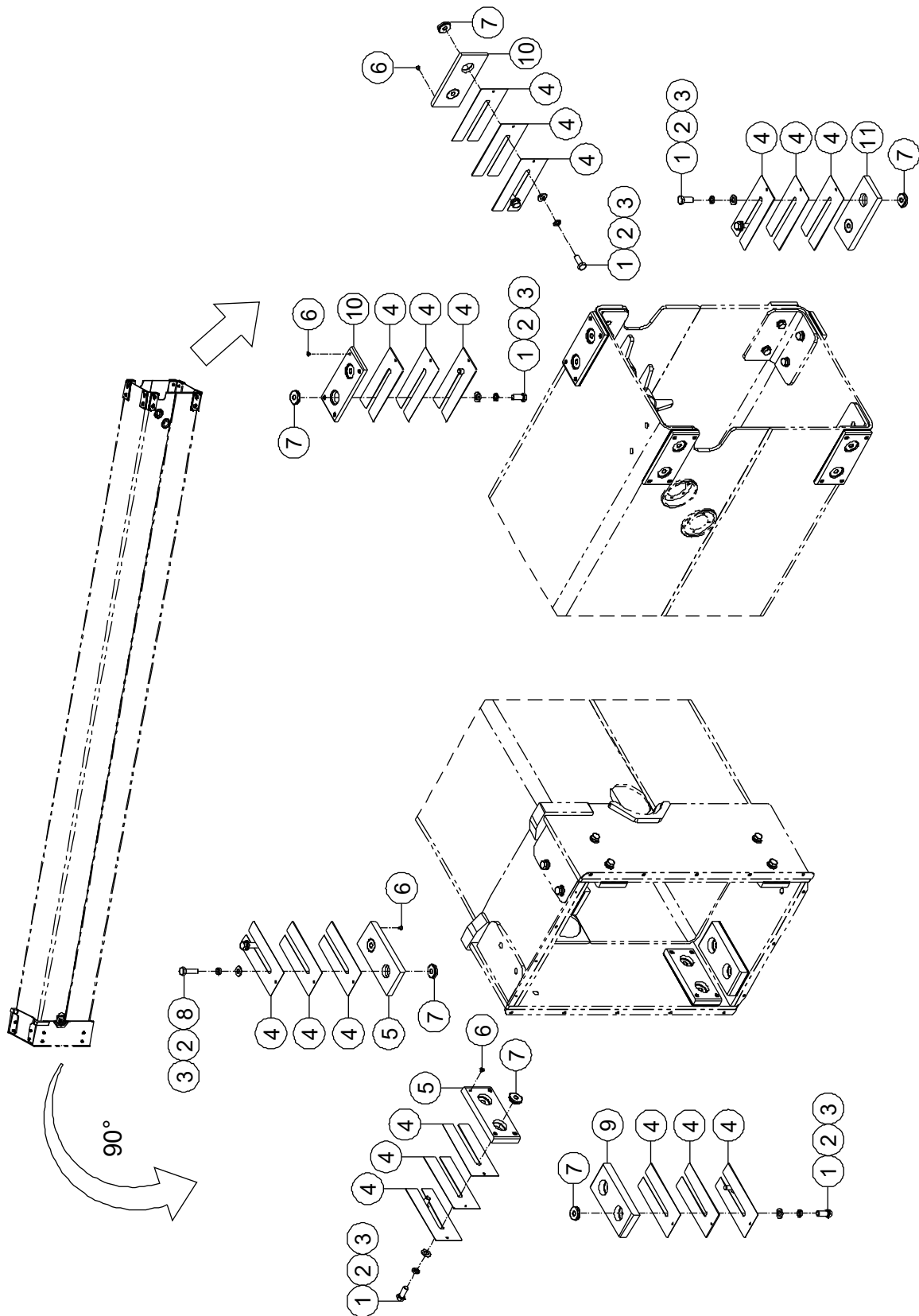
3-5 Tower Base Boom Sliding Block Installations (BA36RT)



3-5 Tower Base Boom Sliding Block Installations (BA36RT)

Item	Part Number	Description	Qty.	Remark
1	00006122	Bolt GB/T 5786 M12×1.25 × 30	12	
2	00000815	Spring Washer GB/T 93 12	16	
3	00000814	Flat Washer GB/T 97.1 12	16	
4	92000111	Shim	24	
5	92000121	Sliding Block	6	
6	92000169	Insert	16	
7	92009458	Plug	24	
8	00005011	Bolt GB/T 5786 M12×1.5 × 40	4	
9	92051390	Shim	2	
10	92051388	Shim	2	
11	92048436	8813-657560 Sleeve Bearing	2	
12	00000817	Screw GB/T 70 M5 × 20	4	
13	00000605	Flat Washer GB/T 97.1 5	4	
14	93300023	Length Angle Sensor	1	
15	00000829	Screw GB/T 70.3 M6×12	8	
16	50011388	Cover	2	
17	00012229	895-65775 Pin, Pivot	1	
18	00000223	8902-16120 Pin, Lock	1	
19	00001036	Bolt GB/T 5783 M16 × 50	1	
20	00001035	Spring Washer GB/T 93 16	1	
21	00000997	Flat Washer GB/T 97.1 16	1	
22	50010692	Sliding Block	2	

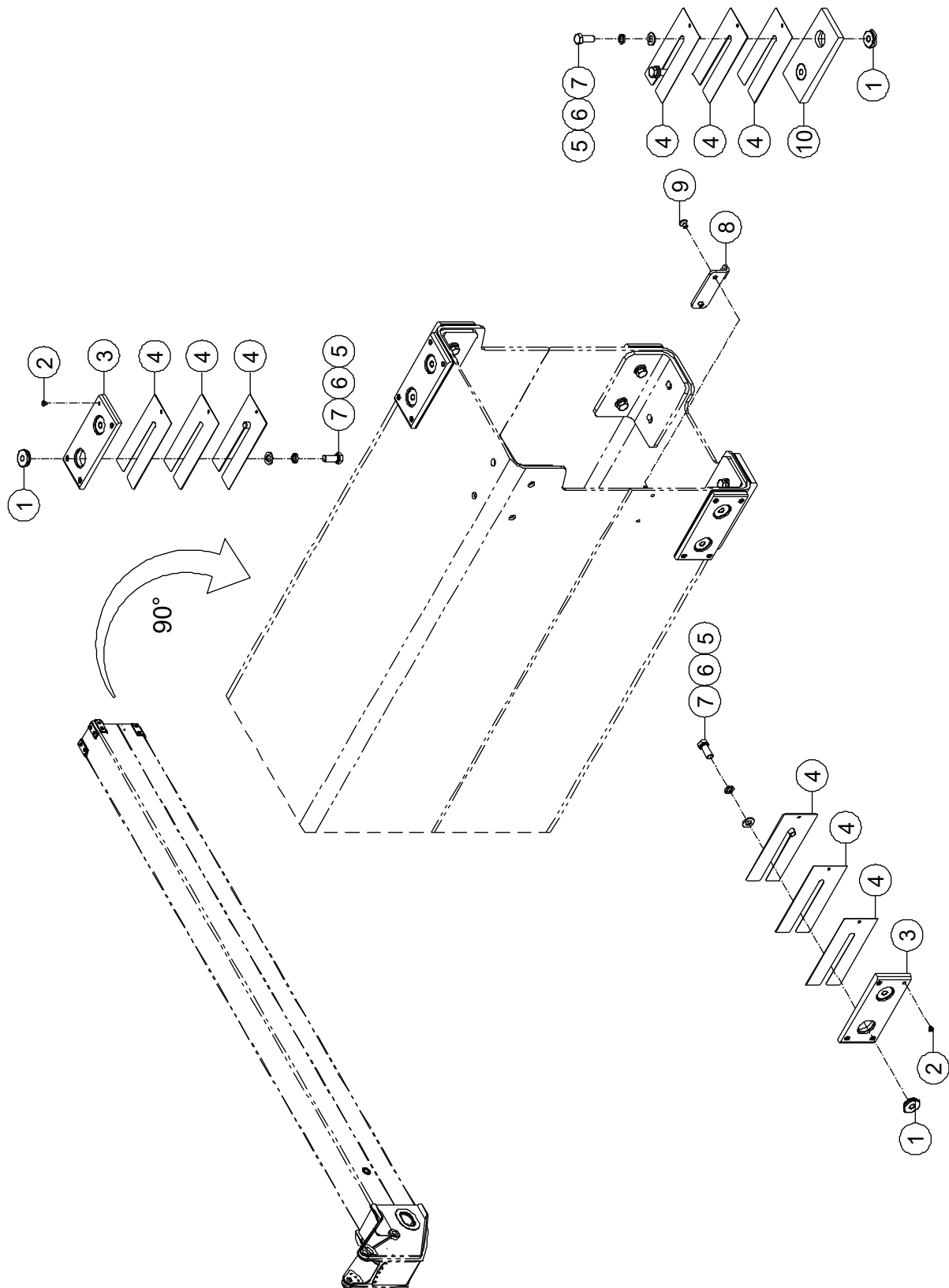
3-6 Tower Second Boom Sliding Block Installations (BA44RT, BA41RT)



3-6 Tower Second Boom Sliding Block Installations (BA44RT, BA41RT)

Item	Part Number	Description	Qty.	Remark
1	00006122	Bolt GB/T 5786 M12×1.25 × 30	28	
2	00000815	Spring Washer GB/T 93 12	32	
3	00000814	Flat Washer GB/T 97.1 12	32	
4	92000111	Shim	48	
5	92000121	Sliding Block	6	
6	92009458	Plug	48	
7	92000169	Insert	32	
8	00005011	Bolt GB/T 5786 M12×1.5 × 40	4	
9	50010692	Sliding Block	2	
10	92000109	Sliding Block	6	
11	50010701	Sliding Block	2	

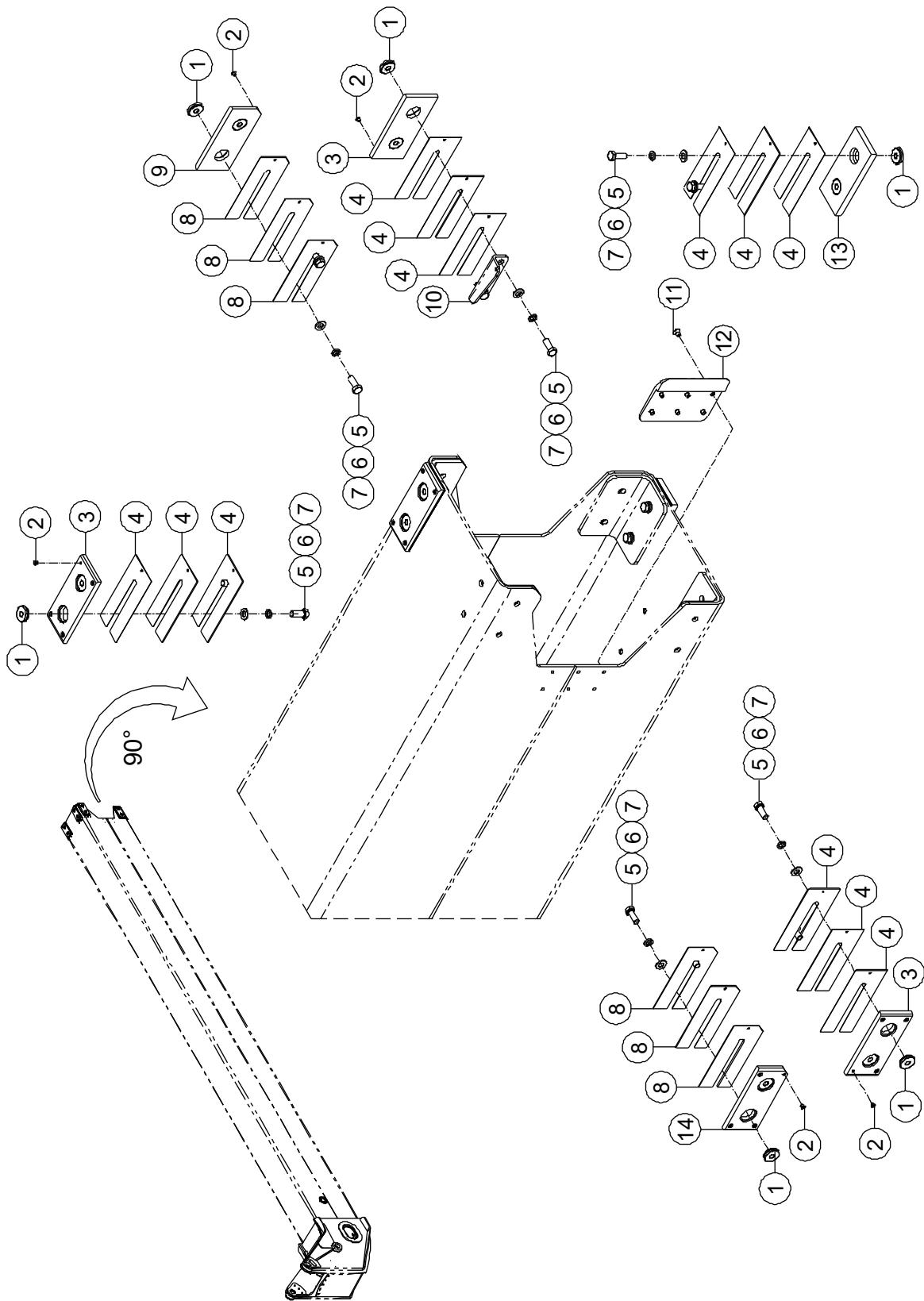
3-7 Tower Second Boom Sliding Block Installations (BA36RT)



3-7 Tower Second Boom Sliding Block Installations (BA36RT)

Item	Part Number	Description	Qty.	Remark
1	92000169	Insert	16	
2	92009458	Plug	24	
3	92000109	Sliding Block	6	
4	92000111	Shim	24	
5	00000814	Flat Washer GB/T 97.1 12	16	
6	00000815	Spring Washer GB/T 93 12	16	
7	00006122	Bolt GB/T 5786 M12×1.25 × 30	16	
8	50011527	Bracket	1	
9	00000836	Screw GB/T 70.3 M8×12	2	
10	50010701	Sliding Block	2	

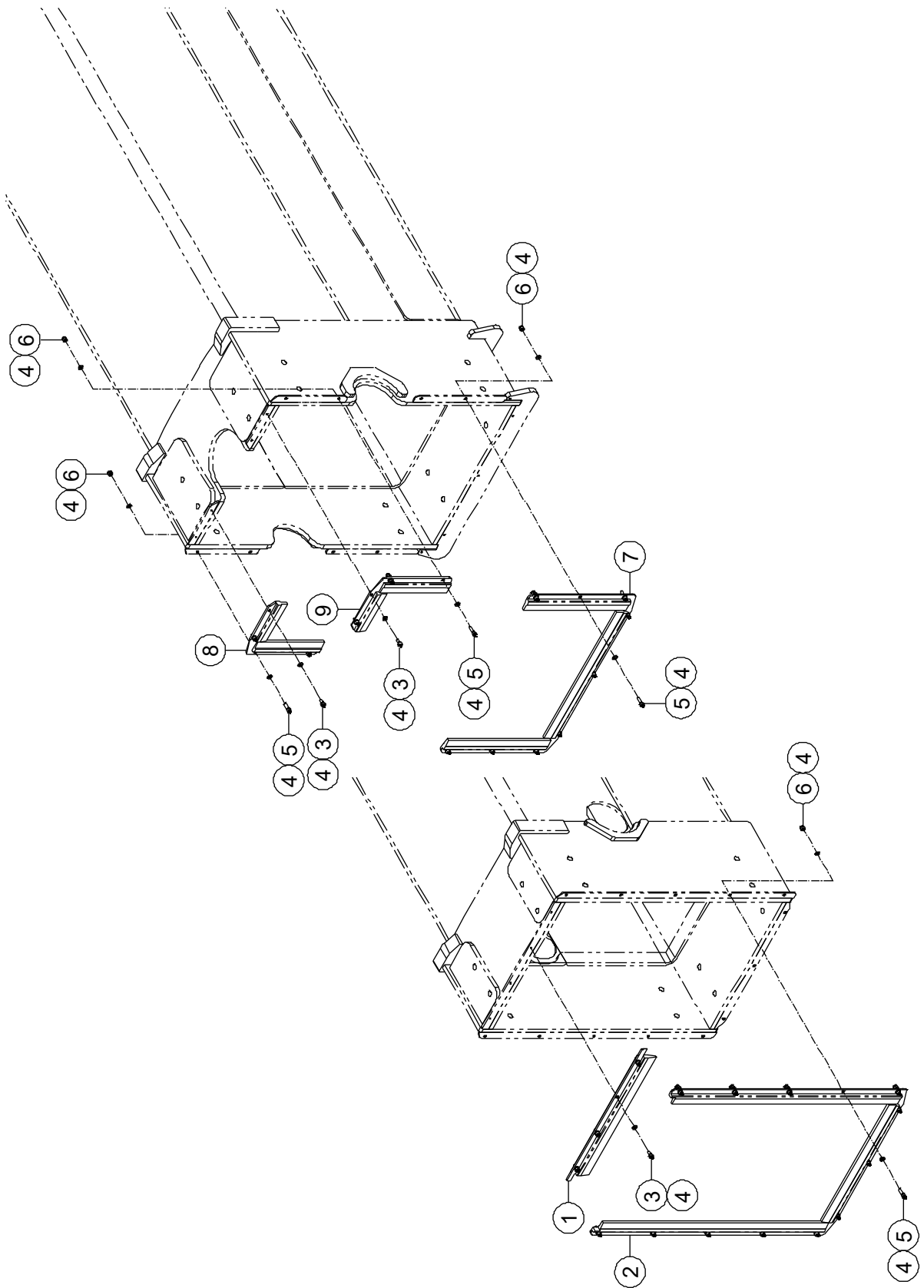
3-8 Tower Second Boom Sliding Block Installations (BA44RT, BA41RT)



3-8 Tower Second Boom Sliding Block Installations (BA44RT, BA41RT)

Item	Part Number	Description	Qty.	Remark
1	92000169	Insert	16	
2	92009458	Plug	24	
3	92000109	Sliding Block	4	
4	92000111	Shim	18	
5	00006122	Bolt GB/T 5786 M12×1.25 × 30	16	
6	00000815	Spring Washer GB/T 93 12	16	
7	00000814	Flat Washer GB/T 97.1 12	16	
8	50010731	Shim	6	
9	50010733	Sliding Block	1	
10	50010766	Bracket	1	
11	00000836	Screw GB/T 70.3 M8×12	6	
12	50010765	Guide plate	1	
13	50010701	Sliding Block	2	
14	50010730	Sliding Block	1	

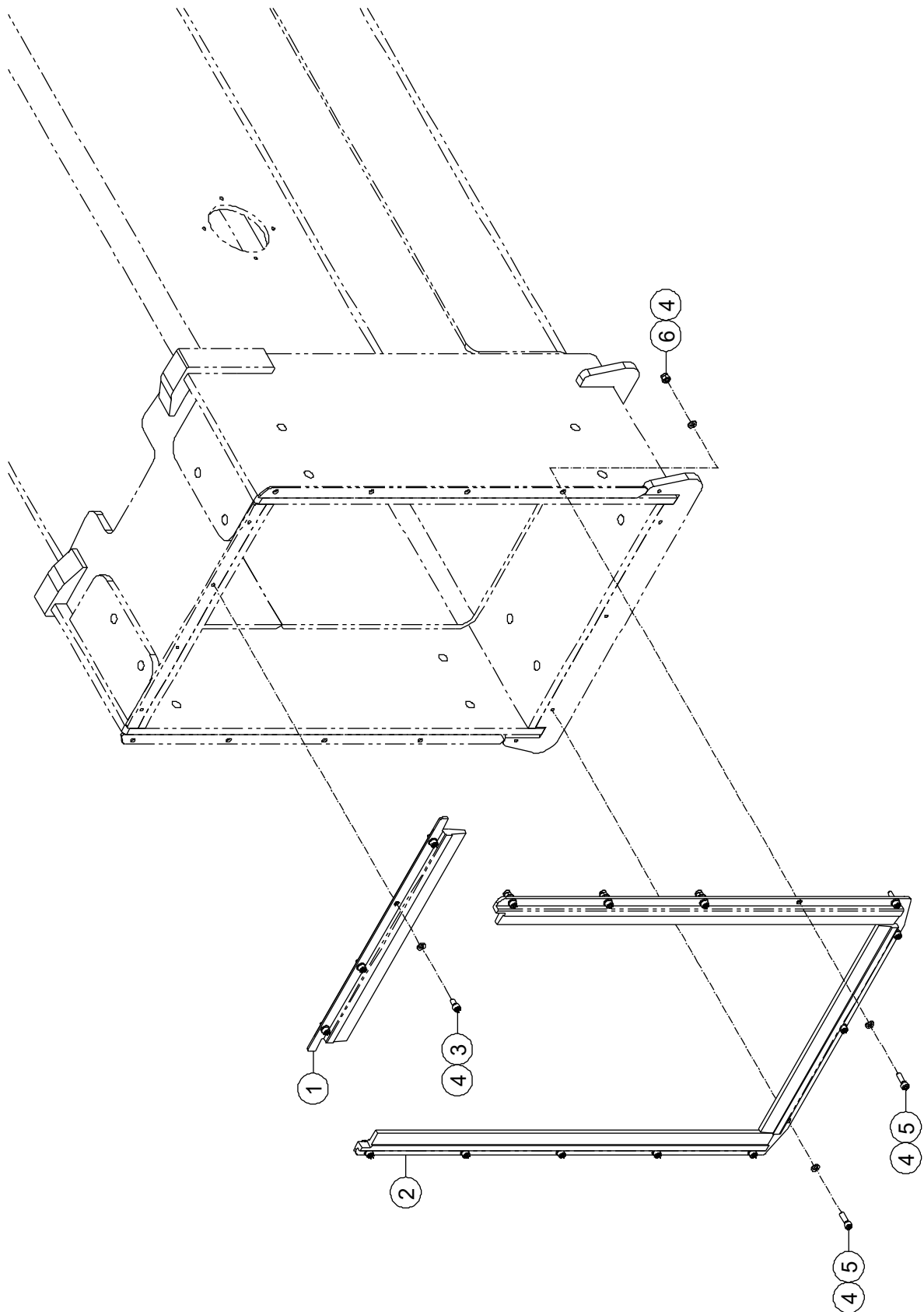
3-9 Tower Boom Shield Installations (BA44RT, BA41RT)



3-9 Tower Boom Shield Installations (BA44RT, BA41RT)

Item	Part Number	Description	Qty.	Remark
1	50010724	Guard	1	
2	50010722	Guard	1	
3	00002029	Screw GB/T 70 M6 × 12	8	
4	00000620	Flat Washer GB/T 97.1 6	55	
5	00000774	Screw GB/T 70 M6 × 20	26	
6	00001033	Nut GB/T 6182 M6	21	
7	50010686	Guard	1	
8	50010688	Guard	1	
9	50010690	Guard	1	

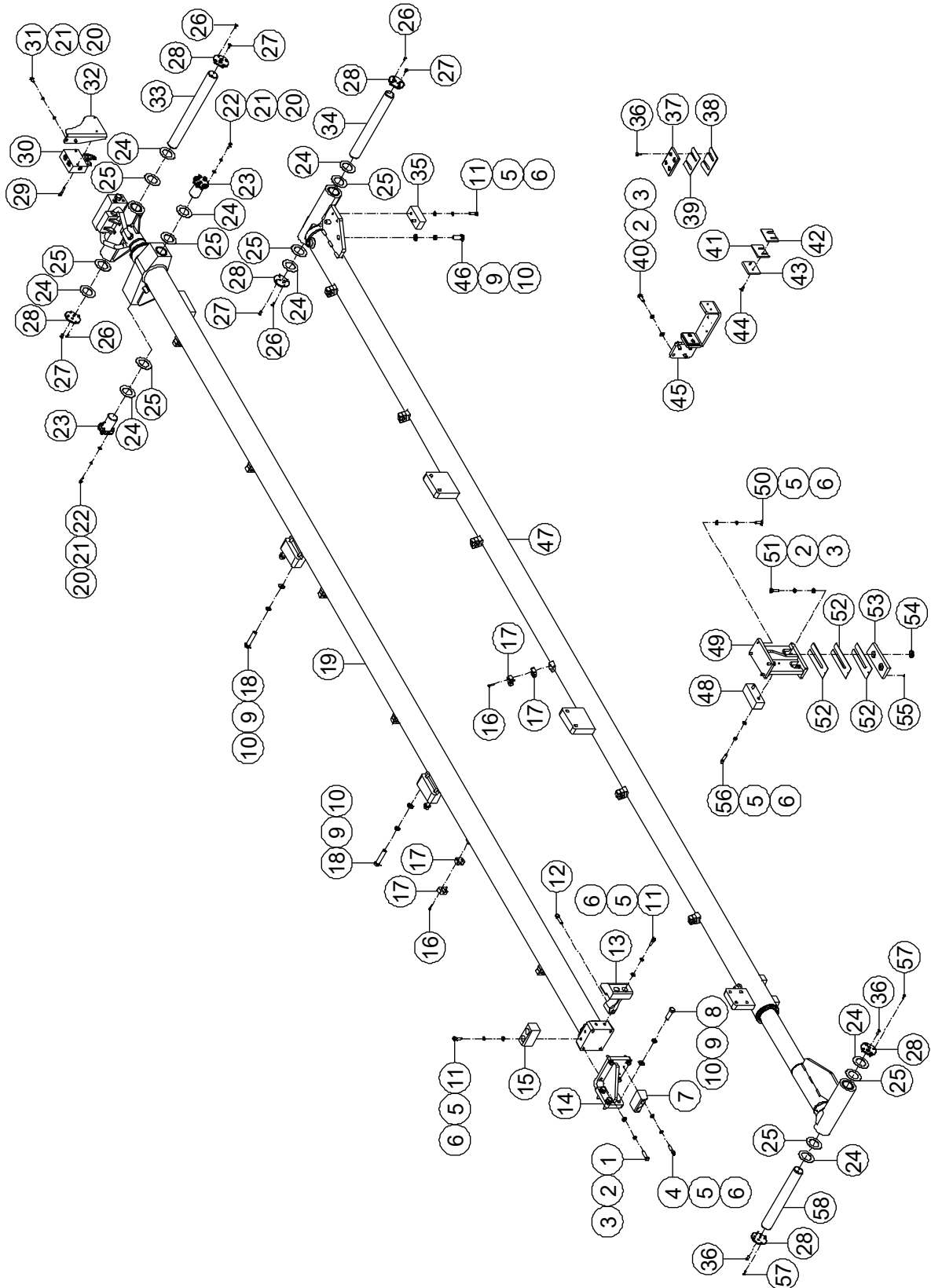
3-10 Tower Boom Shield Installations (BA36RT)



3-10 Tower Boom Shield Installations (BA36RT)

Item	Part Number	Description	Qty.	Remark
1	50010724	Guard	1	
2	50010722	Guard	1	
3	00002029	Screw GB/T 70 M6 × 12	4	
4	00000620	Flat Washer GB/T 97.1 6	25	
5	00000774	Screw GB/T 70 M6 × 20	13	
6	00001033	Nut GB/T 6182 M6	8	

3-11 Tower Telescopic Cylinder Assembly Installations (BA44RT, BA41RT)



3-11 Tower Telescopic Cylinder Assembly Installations (BA44RT, BA41RT)

Item	Part Number	Description	Qty.	Remark
1	00002452	Bolt GB/T 5783 M12 × 45	4	
2	00000815	Spring Washer GB/T 93 12	10	
3	00000814	Flat Washer GB/T 97.1 12	10	
4	00002058	Screw GB/T 70 M10 × 45	2	
5	00000679	Spring Washer GB/T 93 10	14	
6	00000615	Flat Washer GB/T 97.1 10	14	
7	50011762	Guide plate	1	
8	00002339	Bolt GB/T 5783 M16 × 55	4	
9	00001035	Spring Washer GB/T 93 16	10	
10	00000997	Flat Washer GB/T 97.1 16	10	
11	00002238	Screw GB/T 70 M10 × 35	6	
12	00005102	Screw GB/T 70 M12 × 45	2	
13	50011764	Guide plate	1	
14	50011759	Bracket	1	
15	50011125	Sliding Block	1	
16	00001034	Screw GB/T 70 M6 × 25	24	
17	90001755	Clamp	24	
18	00002222	Bolt GB/T 5783 M16 × 90	4	
19		Tower First Stage Telescopic Cylinder Assembly (<i>Refer to 5-4</i>)	1	
20	00000608	Flat Washer GB/T 97.1 8	14	
21	00000609	Spring Washer GB/T 93 8	14	
22	00002555	Screw GB/T 70 M8 × 25	12	
23	50010726	Pin	2	
24	92051193	Shim	8	
25	92051189	Shim	8	
26	00000830	Screw GB/T 70.3 M6×16	16	
27	00000837	Screw GB/T 70.3 M8×16	8	

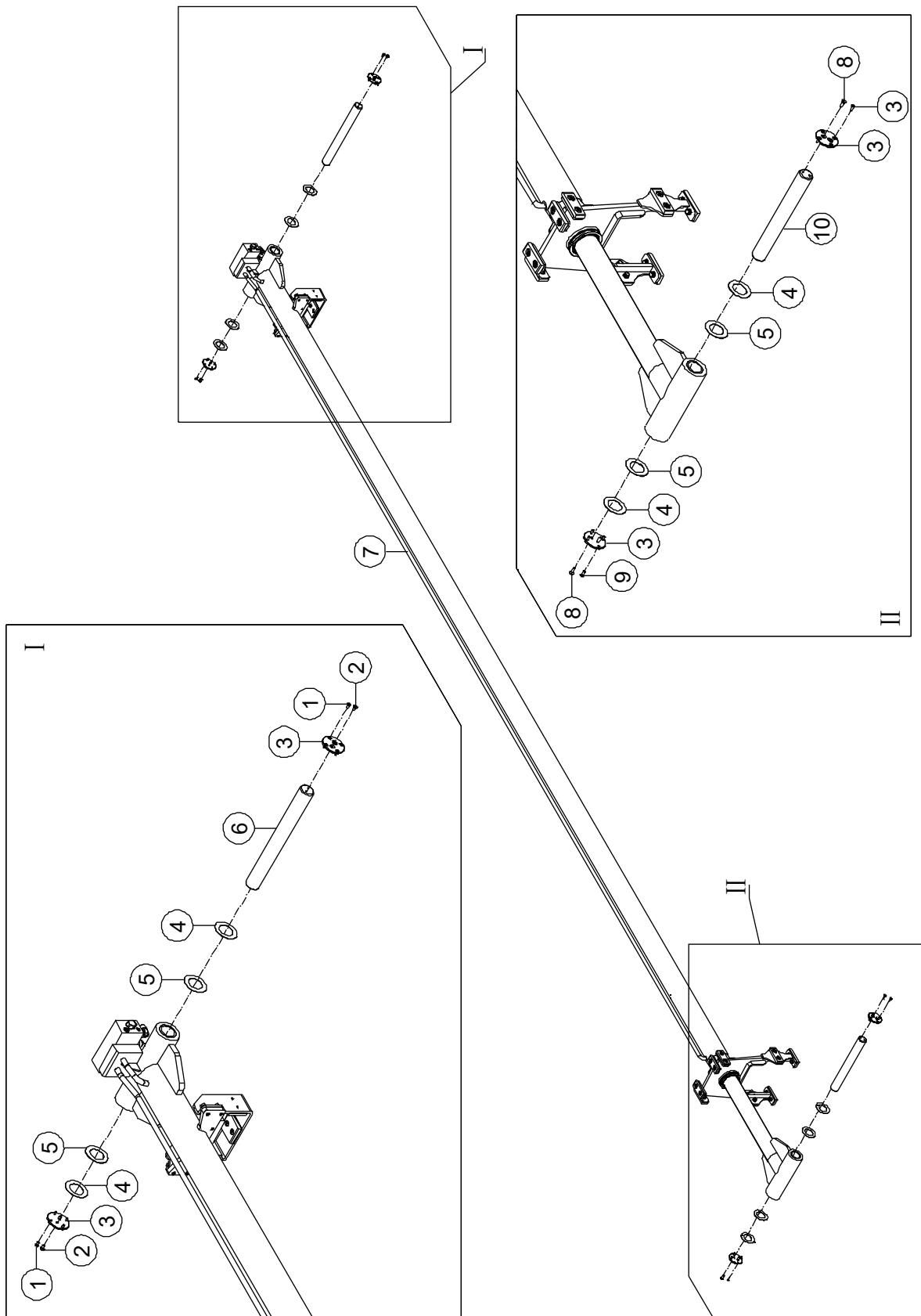
3-11 Tower Telescopic Cylinder Assembly Installations (BA44RT, BA41RT) (Continued)

Item	Part Number	Description	Qty.	Remark
28	50010694	Cover	6	
29	00002557	Screw GB/T 70 M8 × 45	2	
30	00012274	Sequence Manifold(Refer to 3-13)	1	
31	00000875	Bolt GB/T 5783 M8 × 20	2	
32	50010860	Bracket	1	
33	00012222	893C-50496 Pin, Pivot	1	
34	00012221	893C-50431 Pin, Pivot	1	
35	50011124	Sliding Block	1	
36	00000838	Screw GB/T 70.3 M8×25	8	
37	50011097	Sliding Block	1	
38	50011098	Shim	1	
39	50011099	Shim	1	
40	00002046	Bolt GB/T 5783 M12 × 35	4	
41	92048401	Shim	2	
42	92048402	Shim	2	
43	92048393	Sliding Block	2	
44	00000765	Screw GB/T 70.3 M8×20	4	
45	50011100	Bracket	1	
46	00001036	Bolt GB/T 5783 M16 × 50	2	
47		Tower Second Stage Telescopic Cylinder Assembly (Refer to 5-5)	1	
48	50011114	Sliding Block	1	
49	50011115	Bracket	1	
50	00000684	Bolt GB/T 5783 M10 × 35	4	
51	00006123	Bolt GB/T 5786 M12×1.25 × 35	2	
52	50011134	Shim	3	
53	50011133	Sliding Block	1	
54	92000169	Insert	2	

3-11 Tower Telescopic Cylinder Assembly Installations (BA44RT, BA41RT) (Continued)

Item	Part Number	Description	Qty.	Remark
55	92009458	Plug	4	
56	00002050	Screw GB/T 70 M10 × 40	2	
57	00000831	Screw GB/T 70.3 M6×20	8	
58	00012220	893C-50393 Pin, Pivot	1	

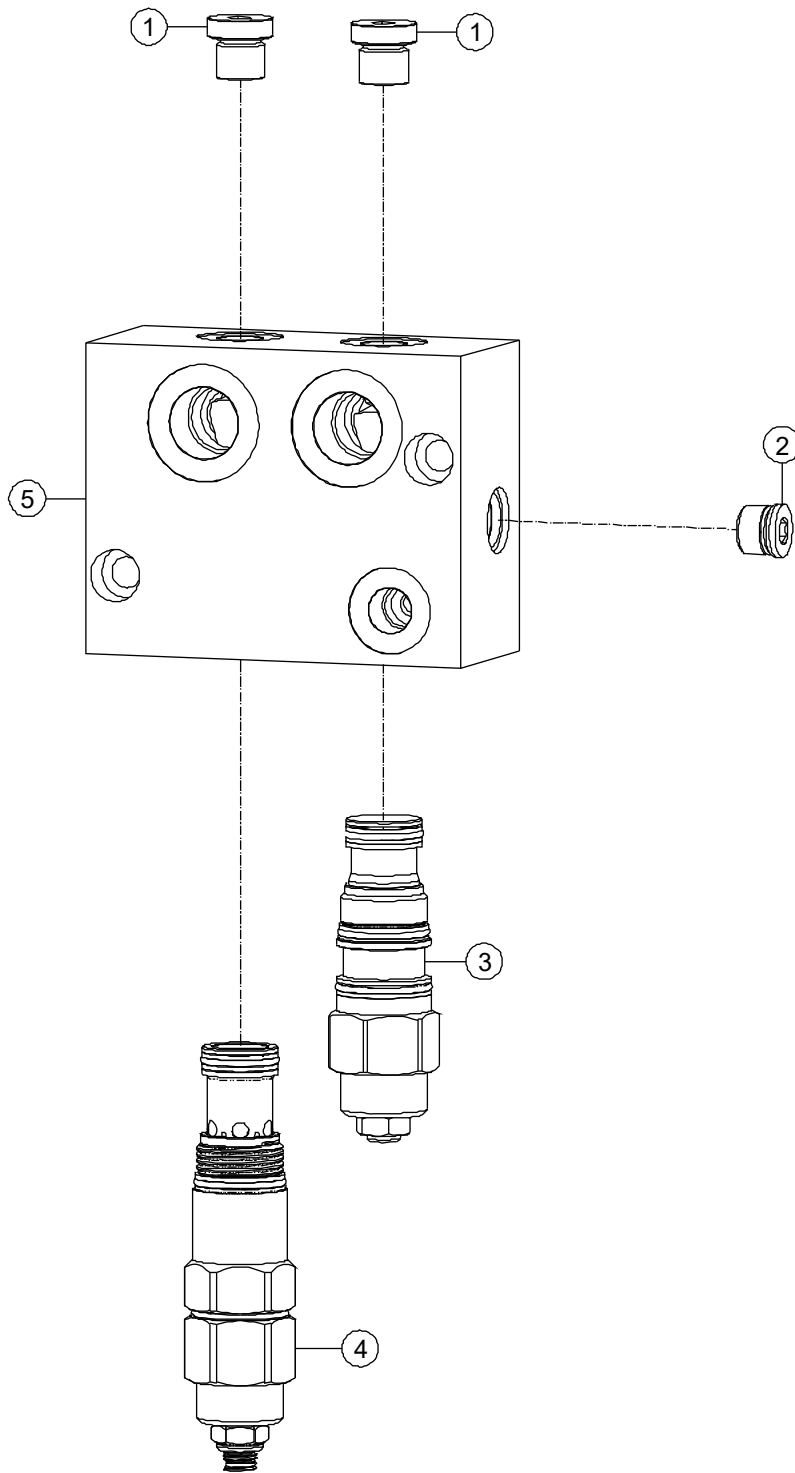
3-12 Tower Telescopic Cylinder Assembly Installations (BA36RT)



3-12 Tower Telescopic Cylinder Assembly Installations (BA36RT)

Item	Part Number	Description	Qty.	Remark
1	00000830	Screw GB/T 70.3 M6×16	8	
2	00000837	Screw GB/T 70.3 M8×16	4	
3	50010694	Cover	4	
4	92051193	Shim	4	
5	92051189	Shim	4	
6	00012375	893C-50454 Pin, Pivot	1	
7		Tower Telescopic Cylinder Assembly (Refer to 5-6)	1	
8	00000838	Screw GB/T 70.3 M8×25	4	
9	00000831	Screw GB/T 70.3 M6×20	8	
10	00012220	893C-50393 Pin, Pivot	1	

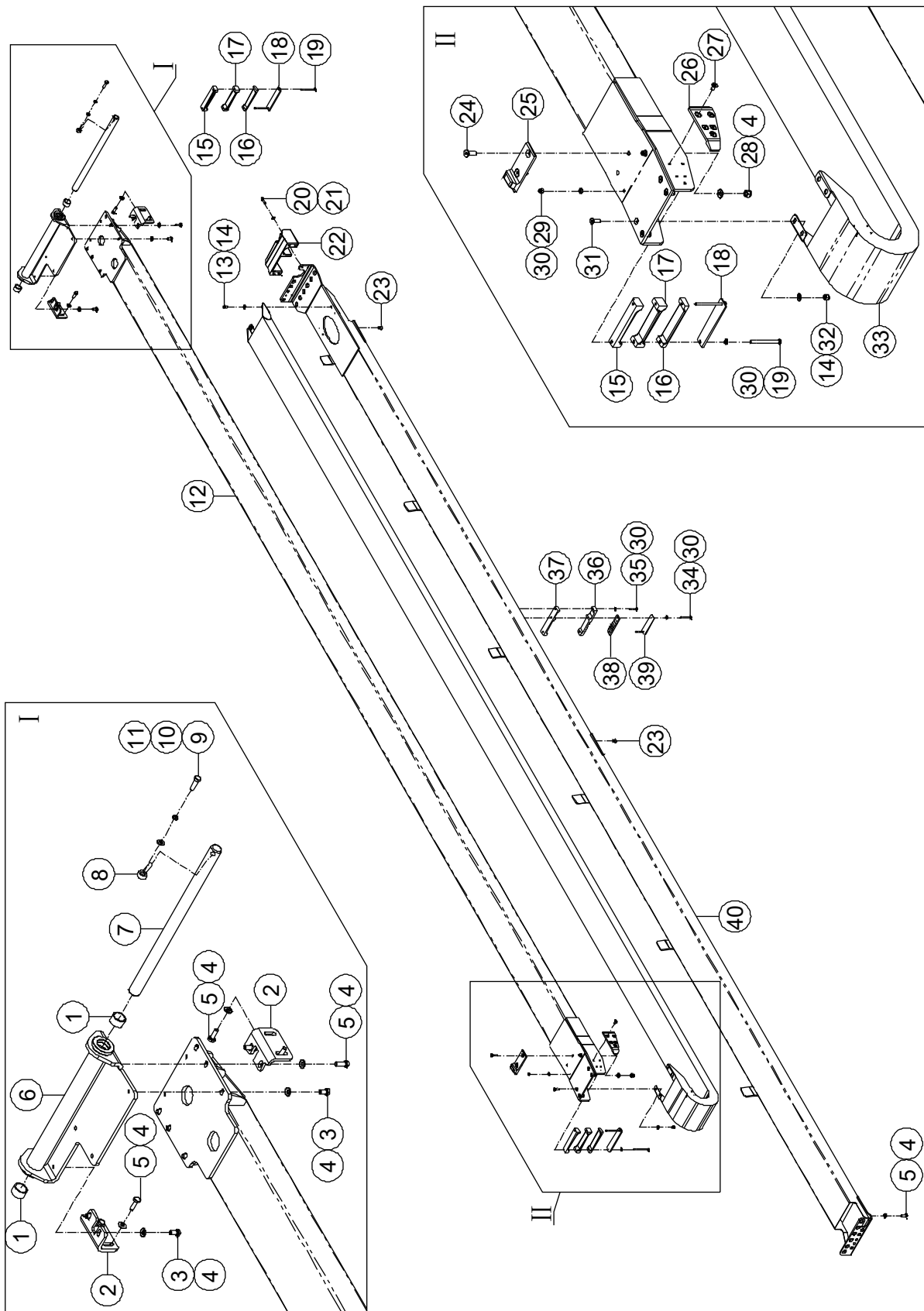
3-13 Sequence Manifold



3-13 Sequence Manifold

Item	Part Number	Description	Qty.	Remark
1	00001111	Plug	2	
2	00004343	Plug	1	
3	00012538	Cartridge, Counterbalance	1	
4	00012537	Sequence Valve	1	
5	00012539	Body	1	

3-14 Tower Boom Carrier System Installations (BA44RT, BA41RT)



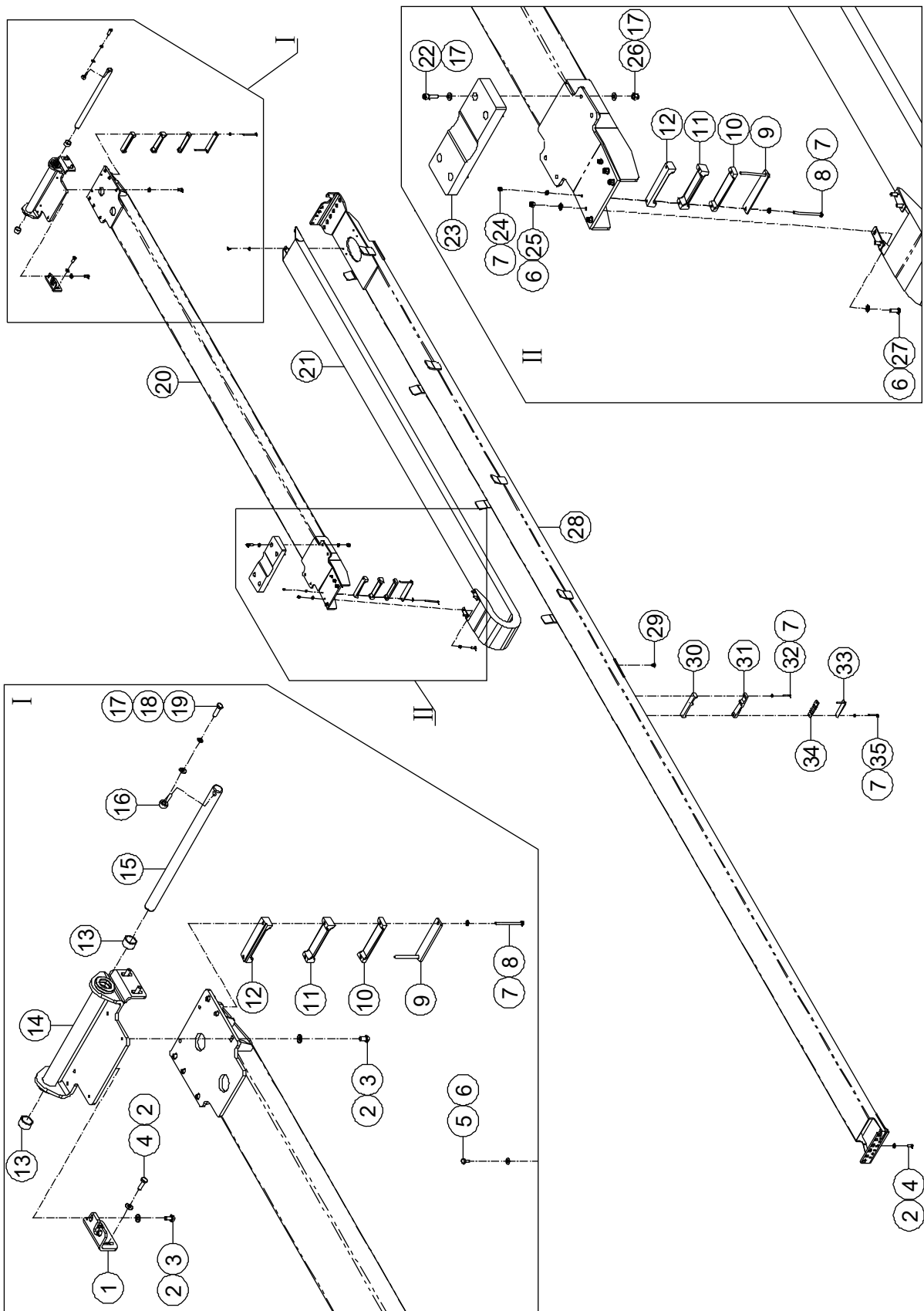
3-14 Tower Boom Carrier System Installations (BA44RT, BA41RT)

Item	Part Number	Description	Qty.	Remark
1	00003063	8813-303620 Sleeve Bearing	2	
2	50010645	Bracket	2	
3	00000674	Bolt GB/T 5783 M10 × 20	6	
4	93000016	Spring Washer Φ10.2	16	
5	00000683	Bolt GB/T 5783 M10 × 30	8	
6	50010640	Bracket	1	
7	00012225	895-30507 Pin, Pivot	1	
8	00000219	8902-10060 Pin, Lock	1	
9	00000684	Bolt GB/T 5783 M10 × 35	1	
10	00000679	Spring Washer GB/T 93 10	1	
11	00000615	Flat Washer GB/T 97.1 10	1	
12	50010618	Support	1	
13	00001063	Bolt GB/T 5783 M8 × 16	4	
14	93000015	Spring Washer Φ8.2	8	
15	50010630	Clamp	2	
16	50010632	Clamp	2	
17	50010631	Clamp	2	
18	50010633	Plate	2	
19	00012276	Bolt GB/T 5782 M6 × 90	4	
20	00002560	Bolt GB/T 70 M8 × 30	4	
21	00000608	Flat Washer GB/T 97.1 8	4	
22	50011827	Guide plate	1	
23	00000844	Screw GB/T 70.3 M10×16	8	
24	00000847	Screw GB/T 70.3 M10×30	2	
25	50010610	Guide plate	1	
26	50010647	Guide plate	1	
27	00000837	Screw GB/T 70.3 M8×16	5	
28	00000623	Nut GB/T 6182 M10	2	
29	00001033	Nut GB/T 6182 M6	2	

**3-14 Tower Boom Carrier System Installations (BA44RT, BA41RT)
(Continued)**

Item	Part Number	Description	Qty.	Remark
30	93000014	Spring Washer $\Phi 6.1$	18	
31	00000838	Screw GB/T 70.3 M8×25	4	
32	00001163	Nut GB/T 6182 M8	4	
33	50010608	Chain	1	
34	00002335	Bolt GB/T 5782 M6 × 60	8	
35	00002312	Bolt GB/T 5782 M6 × 45	4	
36	50010635	Clamp	4	
37	50010637	Clamp	4	
38	50010636	Clamp	4	
39	50010638	Plate	4	
40	50010611	Support	1	

3-15 Tower Boom Carrier System Installations (BA36RT)



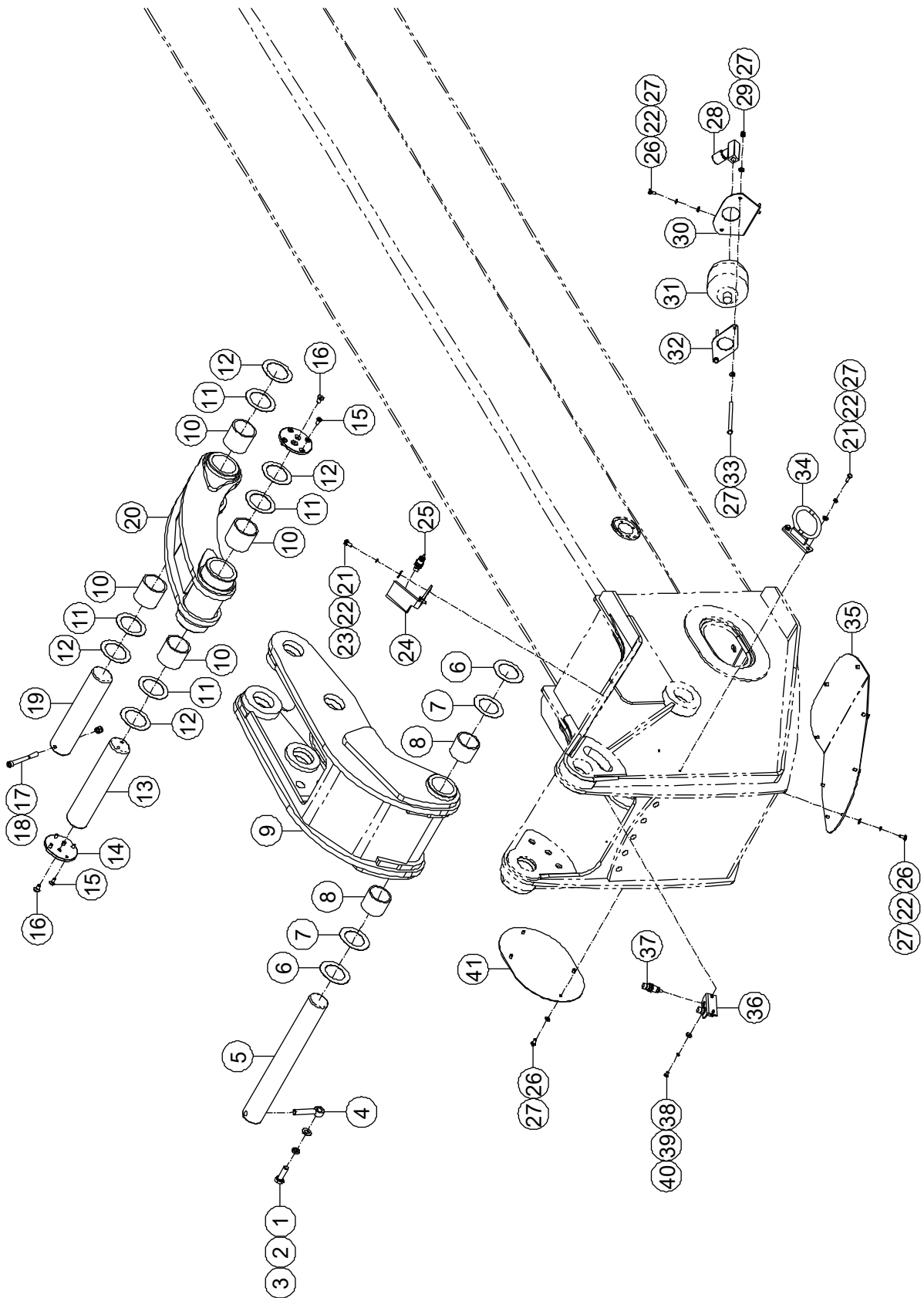
3-15 Tower Boom Carrier System Installations (BA36RT)

Item	Part Number	Description	Qty.	Remark
1	50010645	Bracket	2	
2	93000016	Spring Washer Φ 10.2	16	
3	00000674	Bolt GB/T 5783 M10 \times 20	10	
4	00000683	Bolt GB/T 5783 M10 \times 30	6	
5	00001063	Bolt GB/T 5783 M8 \times 16	4	
6	93000015	Spring Washer Φ 8.2	12	
7	93000014	Spring Washer Φ 6.1	18	
8	00012276	Bolt GB/T 5782 M6 \times 90	4	
9	50010633	Plate	2	
10	50010632	Clamp	2	
11	50010631	Clamp	2	
12	50010630	Clamp	2	
13	00003063	8813-303620 Sleeve Bearing	2	
14	50011547	Bracket	1	
15	00012366	895-30465 Pin, Pivot	1	
16	00000219	8902-10060 Pin, Lock	1	
17	00000615	Flat Washer GB/T 97.1 10	9	
18	00000679	Spring Washer GB/T 93 10	1	
19	00000684	Bolt GB/T 5783 M10 \times 35	1	
20	50011543	Support	1	
21	50011529	Chain	1	
22	00002238	Screw GB/T 70 M10 \times 35	4	
23	50011569	Guide plate	1	
24	00001033	Nut GB/T 6182 M6	2	
25	00001163	Nut GB/T 6182 M8	4	
26	00000623	Nut GB/T 6182 M10	4	
27	00000993	Bolt GB/T 5783 M8 \times 25	4	
28	50011539	Support	1	
29	00000844	Screw GB/T 70.3 M10 \times 16	8	

**3-15 Tower Boom Carrier System Installations (BA36RT)
(Continued)**

Item	Part Number	Description	Qty.	Remark
30	50010637	Clamp	4	
31	50010635	Clamp	4	
32	00002312	Bolt GB/T 5782 M6 × 45	4	
33	50010638	Plate	4	
34	50010636	Clamp	4	
35	00002335	Bolt GB/T 5782 M6 × 60	8	

3-16 Tower Boom Accessories Installations



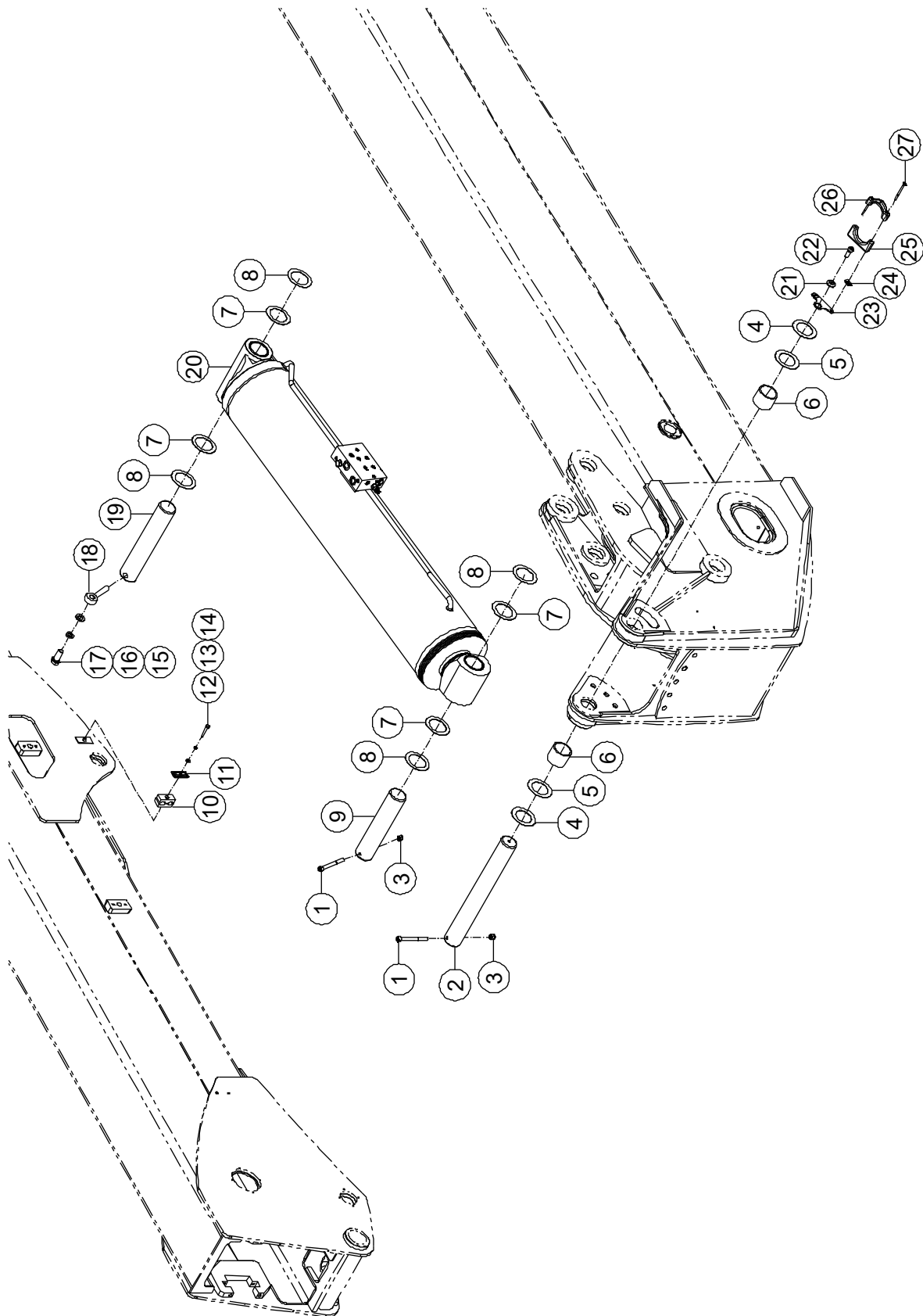
3-16 Tower Boom Accessories Installations

Item	Part Number	Description	Qty.	Remark
1	00001036	Bolt GB/T 5783 M16 × 50	1	
2	00001035	Spring Washer GB/T 93 16	1	
3	00000997	Flat Washer GB/T 97.1 16	1	
4	00000222	8902-16095 Pin, Lock	1	
5	92048701	Pin, Pivot	1	
6	92051388	Shim	2	
7	92051390	Shim	2	
8	92048436	8813-657560 Sleeve Bearing	2	
9	50010768	Connecting Rod	1	
10	00000432	8813-708070 Sleeve Bearing	4	
11	92051386	Shim	4	
12	92051387	Shim	4	
13	00012224	893C-70336 Pin, Pivot	1	BA44RT BA41RT
	00012376	893C-70292 Pin, Pivot	1	BA36RT
14	50010473	Cover	2	
15	00000765	Screw GB/T 70.3 M8×20	8	
16	00000845	Screw GB/T 70.3 M10×20	4	
17	00006424	Screw GB/T 70 M12 × 130	1	
18	00001249	Nut GB/T 6182 M12	1	
19	00012230	895-70307 Pin, Pivot	1	
20	50010780	Connecting Rod	1	
21	00000875	Bolt GB/T 5783 M8 × 20	4	
22	00000609	Spring Washer GB/T 93 8	18	
23	00002000	Flat Washer GB/T 96.1 8	2	
24	50011822	Bracket, Switch	1	
25	00012748	Proximity Switch	1	
26	00001063	Bolt GB/T 5783 M8 × 16	14	
27	00000608	Flat Washer GB/T 97.1 8	20	

3-16 Tower Boom Accessories Installations (Continued)

Item	Part Number	Description	Qty.	Remark
28	90011970	Valve, Flow Control, Adjustable	1	
29	00001163	Nut GB/T 6182 M8	2	
30	90004392	Support	1	
31	90013590	Accumulator	1	
32	90003696	Support	1	
33	00006444	Bolt GB/T 5782 M8 × 145	2	
34	92100240	Clamp	1	
35	50010763	Cover	1	
36	92033550	Bracket, Switch	1	BA44RT BA41RT
	50011525	Bracket, Switch	1	BA36RT
37	00007341	Proximity Switch	2	
38	00000745	Bolt GB/T 5783 M6 × 12	2	
39	00000621	Spring Washer GB/T 93 6	2	
40	00002583	Flat Washer GB/T 96.1 6	2	
41	92053484	Cover	1	

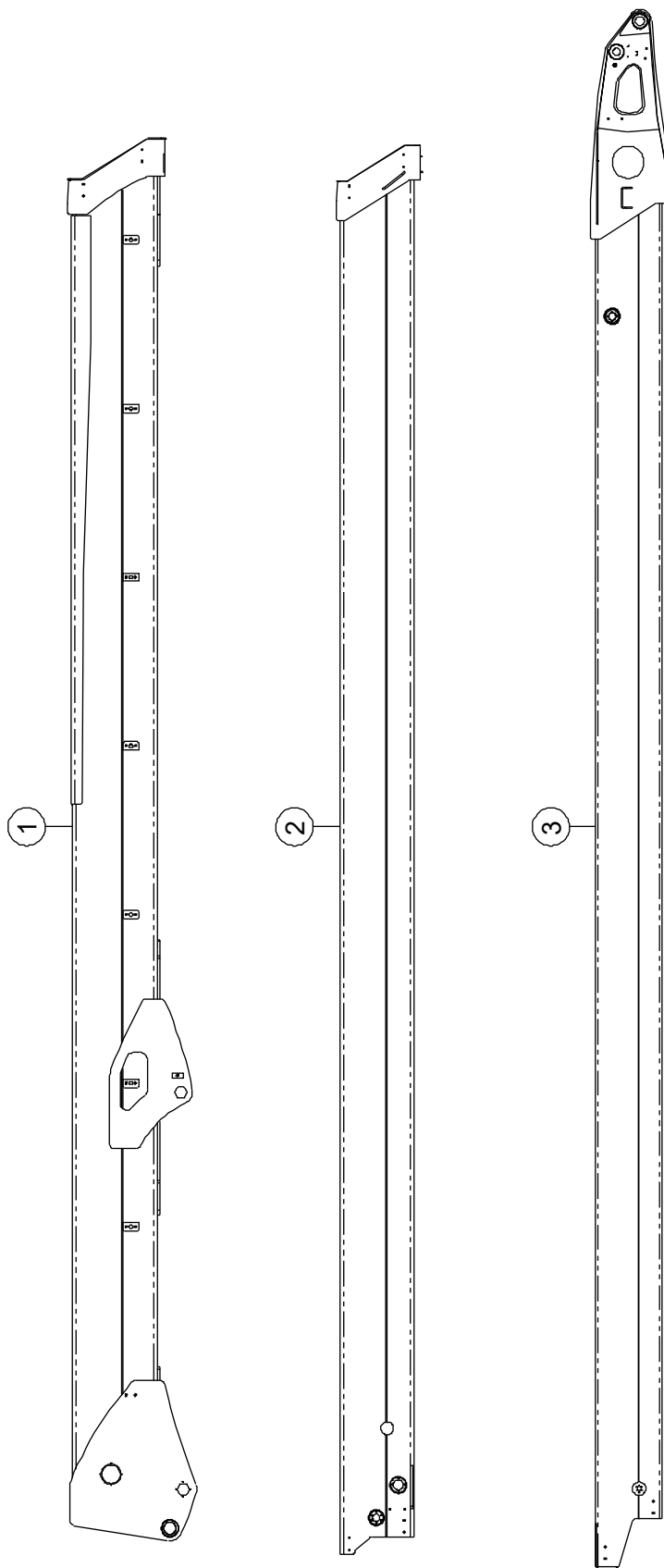
3-17 Main Lifting Cylinder Assembly Installations



3-17 Main Lifting Cylinder Assembly Installations

Item	Part Number	Description	Qty.	Remark
1	00006424	Screw GB/T 70 M12 × 130	2	
2	00012232	895B-65517 Pin, Pivot	1	
3	00001249	Nut GB/T 6182 M12	2	
4	92051388	Shim	2	
5	92051390	Shim	2	
6	92048436	8813-657560 Sleeve Bearing	2	
7	92051386	Shim	4	
8	92051387	Shim	4	
9	00012230	895-70307 Pin, Pivot	1	
10	00000316	Clamp	1	
11	92013750	Plate	1	
12	00003607	Bolt GB/T 5783 M8 × 50	1	
13	00000609	Spring Washer GB/T 93 8	1	
14	00000608	Flat Washer GB/T 97.1 8	1	
15	00001050	Flat Washer GB/T 97.1 20	1	
16	00002219	Spring Washer GB/T 93 20	1	
17	00002224	Bolt GB/T 5783 M20 × 50	1	
18	00006818	8902-20120 Pin, Lock	1	
19	00012231	895-70352 Pin, Pivot	1	
20		Main Lifting Cylinder Assembly (<i>Refer to 5-7</i>)	1	
21	92049165	Support	1	
22	00006425	Screw GB/T 70 M12 × 35	1	
23	92000220	Support	1	
24	50000112	Nut QC/T 885 M6	2	
25	92000219	Clamp	1	
26	92000221	Clamp	1	
27	00006426	Screw GB/T 70 M6 × 80	2	

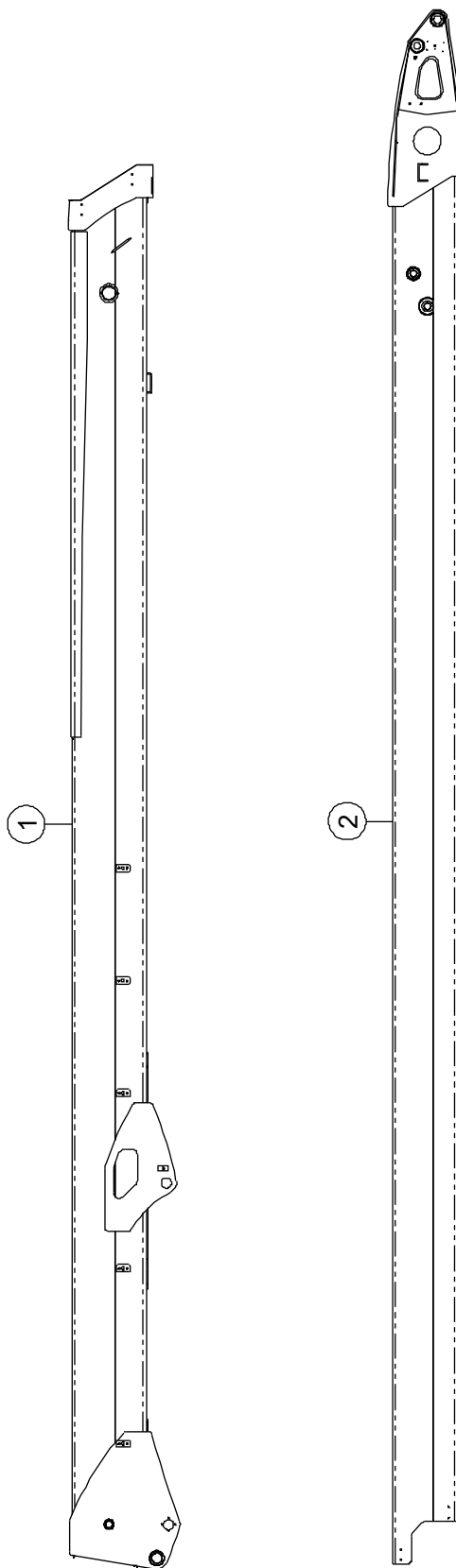
3-18 Main Telescopic Boom (BA44RT)



3-18 Main Telescopic Boom (BA44RT)

Item	Part Number	Description	Qty.	Remark
1	50010483	Base Boom	1	
2	50010576	Second Boom	1	
3	50010517	Third Boom	1	

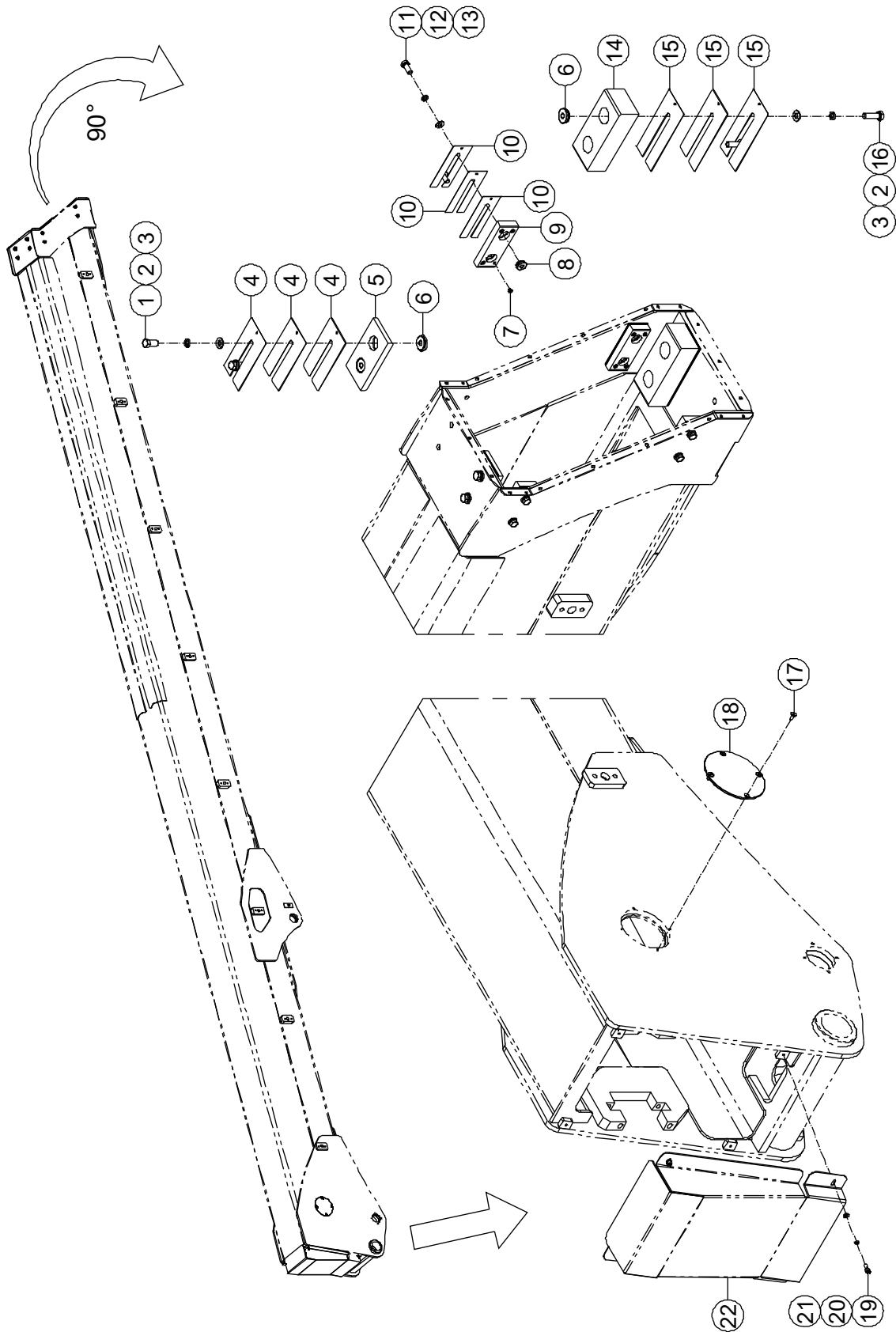
3-19 Main Telescopic Boom (BA41RT, BA36RT)



3-19 Main Telescopic Boom (BA41RT, BA36RT)

Item	Part Number	Description	Qty.	Remark
1	50011344	Base Boom	1	BA41RT
	50011439	Base Boom	1	BA36RT
2	50011355	Second Boom	1	BA41RT
	50011464	Second Boom	1	BA36RT

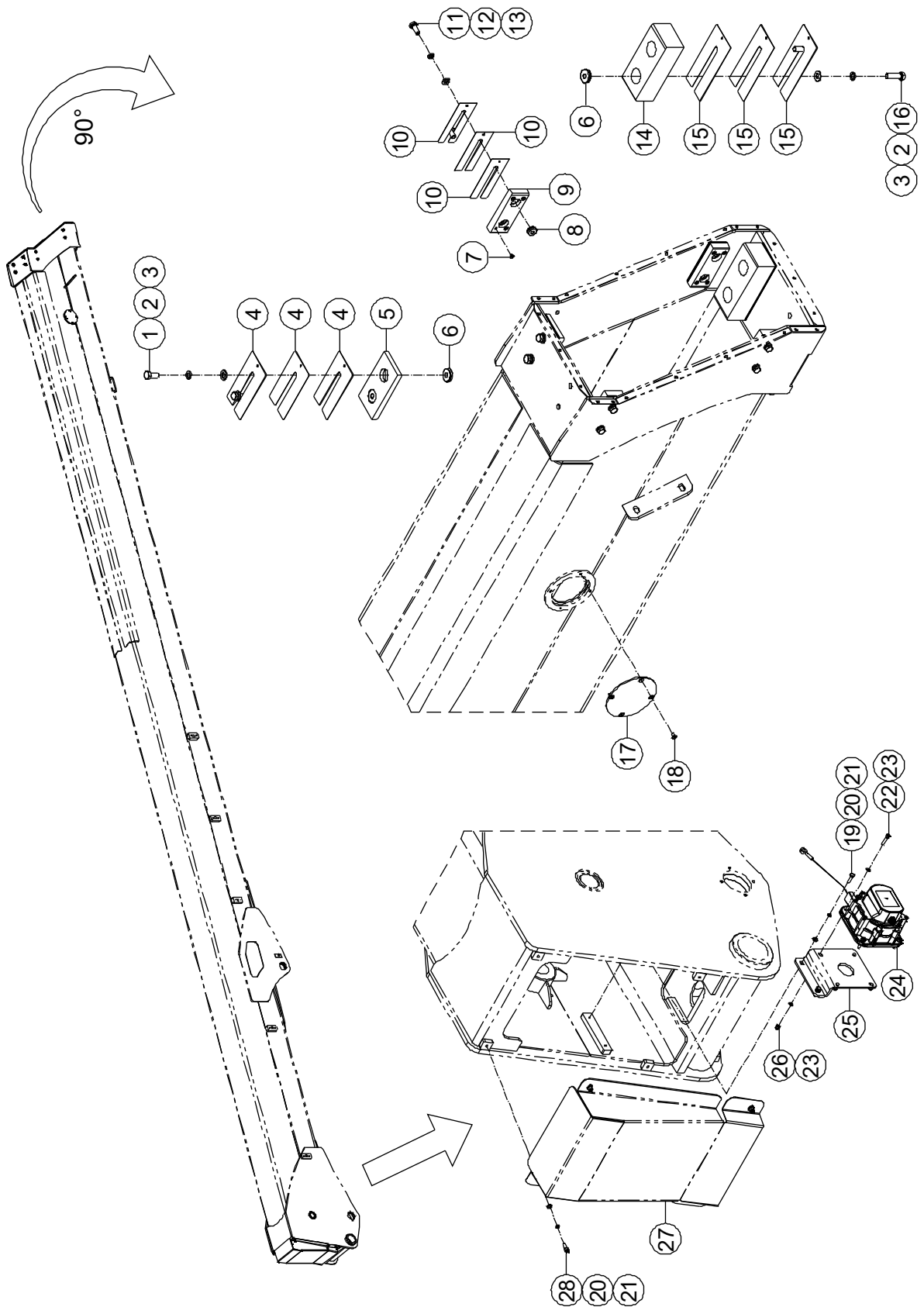
3-20 Base Boom Sliding Block Installations (BA44RT)



3-20 Base Boom Sliding Block Installations (BA44RT)

Item	Part Number	Description	Qty.	Remark
1	00006121	Bolt GB/T 5786 M12×1.25 × 25	4	
2	00000815	Spring Washer GB/T 93 12	8	
3	00000814	Flat Washer GB/T 97.1 12	8	
4	92000126	Shim	6	
5	50010480	Sliding Block	2	
6	92000169	Insert	8	
7	92009458	Plug	16	
8	92000139	Insert	8	
9	92000141	Sliding Block	4	
10	92029615	Shim	12	
11	00000678	Bolt GB/T 5783 M10 × 25	8	
12	00000679	Spring Washer GB/T 93 10	8	
13	00000615	Flat Washer GB/T 97.1 10	8	
14	50010482	Sliding Block	2	
15	92000111	Shim	6	
16	00005011	Bolt GB/T 5786 M12×1.5 × 40	4	
17	00000830	Screw GB/T 70.3 M6×16	8	
18	50010515	Cover	2	
19	00000876	Screw GB/T 70 M6 × 16	4	
20	00000621	Spring Washer GB/T 93 6	4	
21	00000620	Flat Washer GB/T 97.1 6	4	
22	50010605	Cover	1	

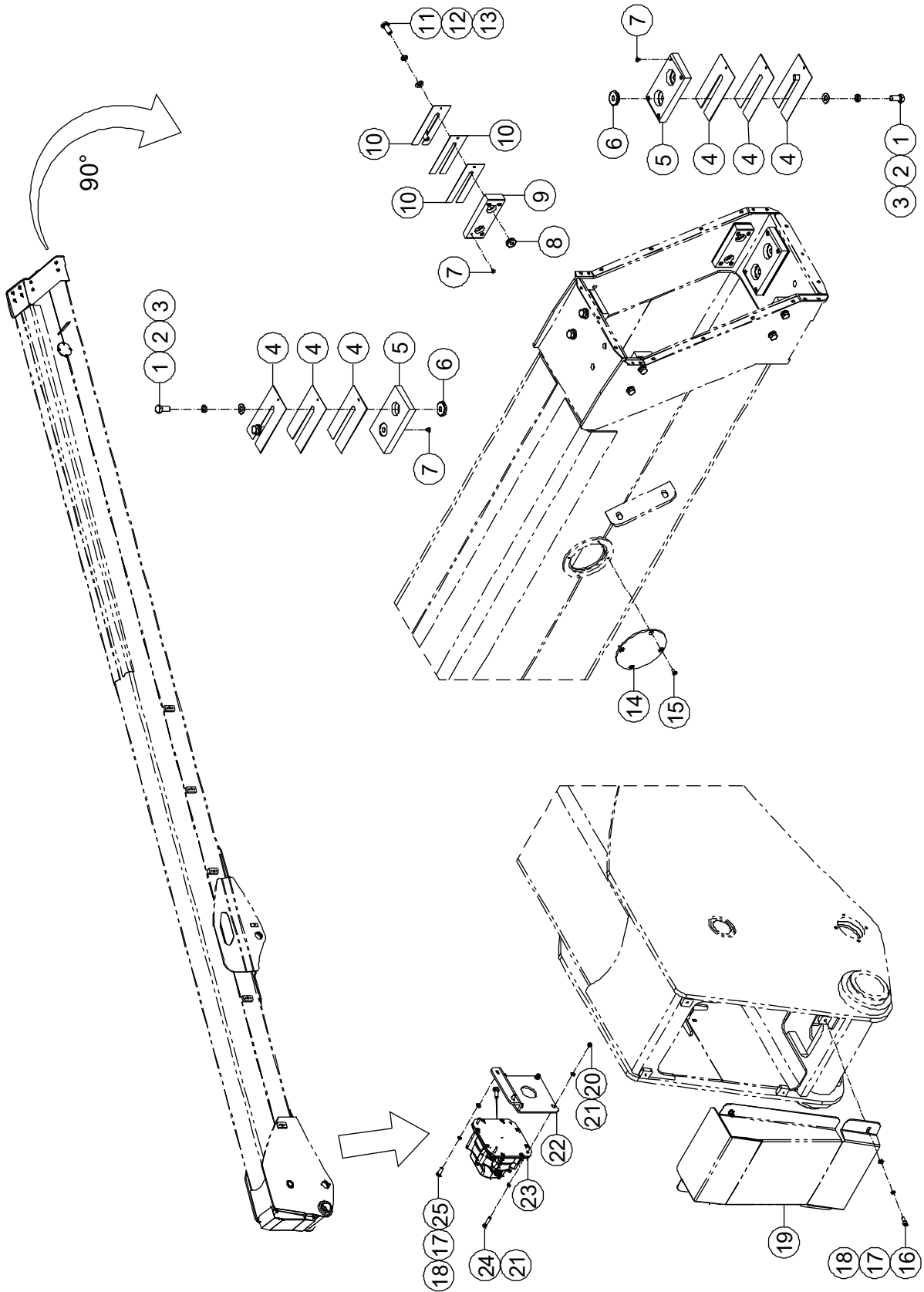
3-21 Base Boom Sliding Block Installations (BA41RT)



3-21 Base Boom Sliding Block Installations (BA41RT)

Item	Part Number	Description	Qty.	Remark
1	00006121	Bolt GB/T 5786 M12×1.25 × 25	4	
2	00000815	Spring Washer GB/T 93 12	8	
3	00000814	Flat Washer GB/T 97.1 12	8	
4	92000126	Shim	6	
5	50010480	Sliding Block	2	
6	92000169	Insert	8	
7	92009458	Plug	16	
8	92000139	Insert	8	
9	92000141	Sliding Block	4	
10	92029615	Shim	12	
11	00000678	Bolt GB/T 5783 M10 × 25	8	
12	00000679	Spring Washer GB/T 93 10	8	
13	00000615	Flat Washer GB/T 97.1 10	8	
14	50010482	Sliding Block	2	
15	92000111	Shim	6	
16	00005011	Bolt GB/T 5786 M12×1.5 × 40	4	
17	50011388	Cover	2	
18	00000829	Screw GB/T 70.3 M6×12	8	
19	00000743	Bolt GB/T 5783 M6 × 20	2	
20	00000621	Spring Washer GB/T 93 6	6	
21	00000620	Flat Washer GB/T 97.1 6	6	
22	00002484	Screw GB/T 70 M5 × 25	4	
23	00000605	Flat Washer GB/T 97.1 5	8	
24	93300023	Length Angle Sensor	1	
25	50011390	Bracket	1	
26	00000613	Nut GB/T 6182 M5	4	
27	50010605	Cover	1	
28	00000876	Screw GB/T 70 M6 × 16	4	

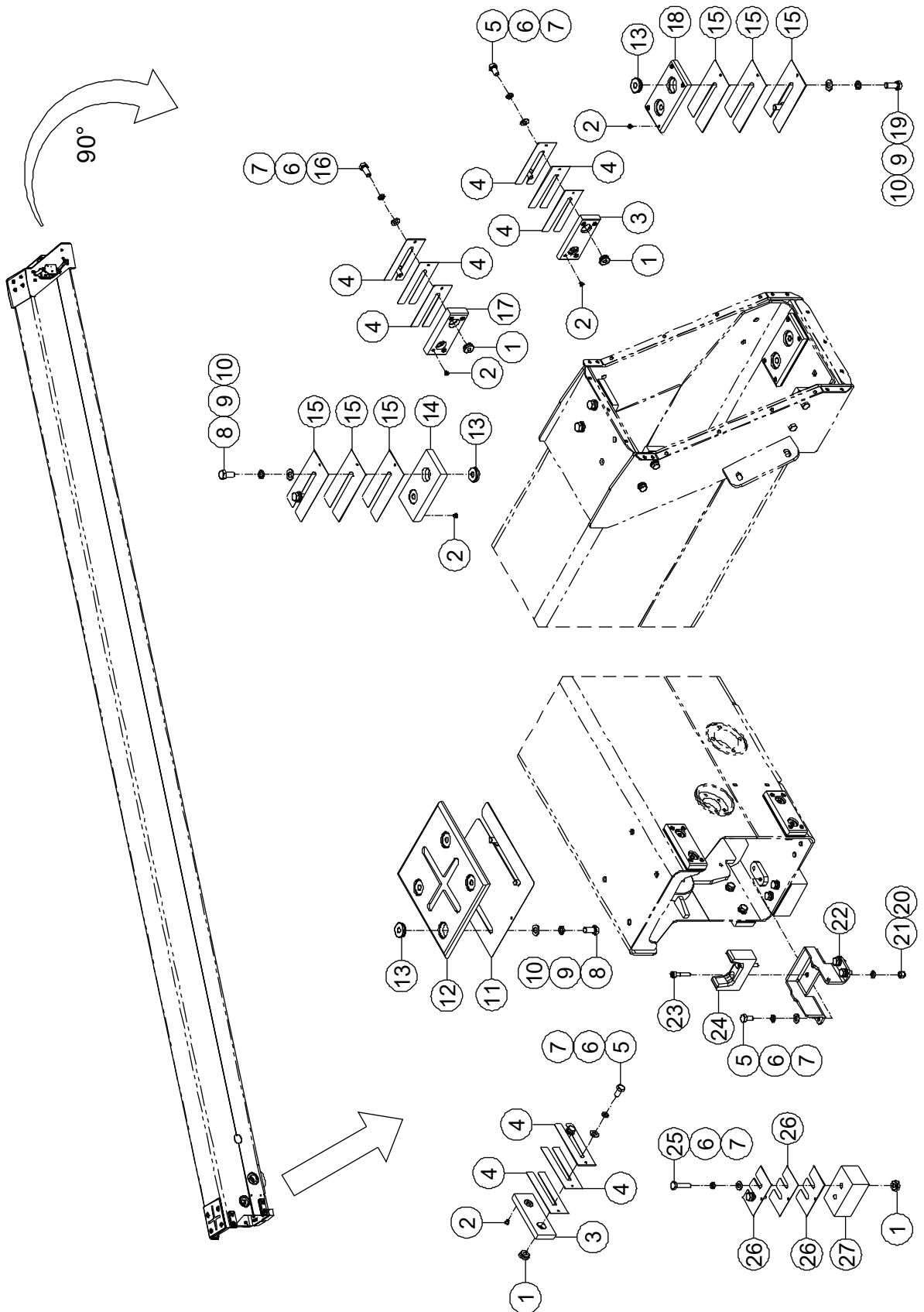
3-22 Base Boom Sliding Block Installations (BA36RT)



3-22 Base Boom Sliding Block Installations (BA36RT)

Item	Part Number	Description	Qty.	Remark
1	00006121	Bolt GB/T 5786 M12×1.25 × 25	8	
2	00000815	Spring Washer GB/T 93 12	8	
3	00000814	Flat Washer GB/T 97.1 12	8	
4	92000126	Shim	12	
5	92101866	Sliding Block	4	
6	92000169	Insert	8	
7	92009458	Plug	32	
8	92000139	Insert	8	
9	92000141	Sliding Block	4	
10	92029615	Shim	12	
11	00000678	Bolt GB/T 5783 M10 × 25	8	
12	00000679	Spring Washer GB/T 93 10	8	
13	00000615	Flat Washer GB/T 97.1 10	8	
14	50011388	Cover	2	
15	00000829	Screw GB/T 70.3 M6×12	8	
16	00000876	Screw GB/T 70 M6 × 16	4	
17	00000621	Spring Washer GB/T 93 6	6	
18	00000620	Flat Washer GB/T 97.1 6	6	
19	50011566	Cover	1	
20	00000613	Nut GB/T 6182 M5	4	
21	00000605	Flat Washer GB/T 97.1 5	8	
22	50011390	Bracket	1	
23	93300023	Length Angle Sensor	1	
24	00002484	Screw GB/T 70 M5 × 25	4	
25	00000743	Bolt GB/T 5783 M6 × 20	2	

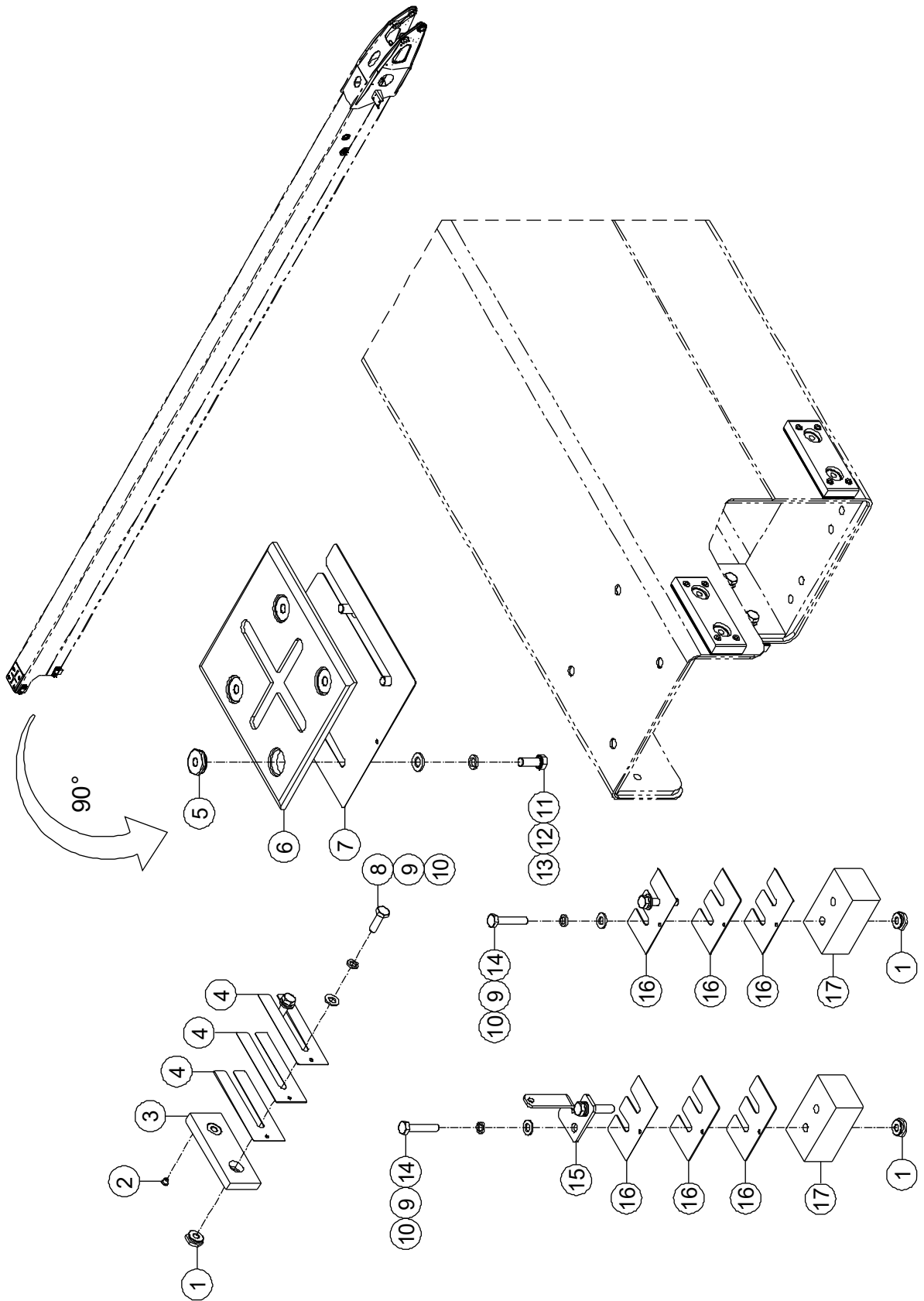
3-23 Second Boom Sliding Block Installations (BA44RT)



3-23 Second Boom Sliding Block Installations (BA44RT)

Item	Part Number	Description	Qty.	Remark
1	92000139	Insert	20	
2	92009458	Plug	48	
3	92000143	Sliding Block	6	
4	92029615	Shim	24	
5	00000674	Bolt GB/T 5783 M10 × 20	16	
6	00000679	Spring Washer GB/T 93 10	24	
7	00000615	Flat Washer GB/T 97.1 10	24	
8	00006121	Bolt GB/T 5786 M12×1.25 × 25	8	
9	00000815	Spring Washer GB/T 93 12	12	
10	00000814	Flat Washer GB/T 97.1 12	12	
11	50010571	Shim	1	
12	50010570	Sliding Block	1	
13	92000169	Insert	12	
14	92101866	Sliding Block	2	
15	92000126	Shim	12	
16	00000678	Bolt GB/T 5783 M10 × 25	4	
17	92000141	Sliding Block	2	
18	92102003	Sliding Block	2	
19	00006122	Bolt GB/T 5786 M12×1.25 × 30	4	
20	00000608	Flat Washer GB/T 97.1 8	2	
21	00001163	Nut GB/T 6182 M8	2	
22	50010598	Bracket	1	
23	00000744	Screw GB/T 70 M8 × 40	2	
24	50010599	Guide plate	1	
25	00001041	Bolt GB/T 5783 M10 × 40	4	
26	92102015	Shim	6	
27	50010601	Sliding Block	2	

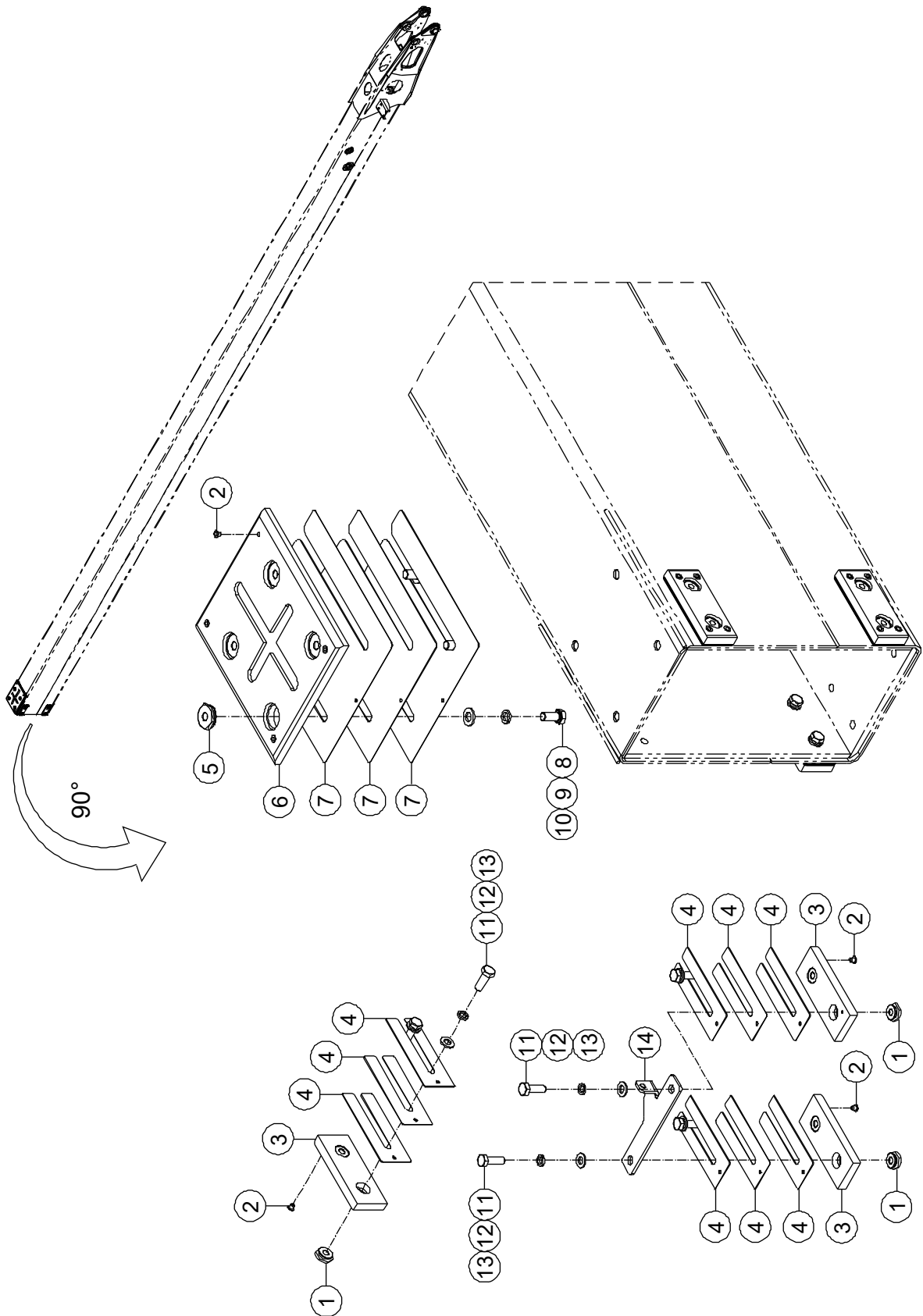
3-24 Second Boom Sliding Block Installations (BA41RT)



3-24 Second Boom Sliding Block Installations (BA41RT)

Item	Part Number	Description	Qty.	Remark
1	92000139	Insert	12	
2	92009458	Plug	16	
3	92000143	Sliding Block	4	
4	92029615	Shim	12	
5	92000169	Insert	4	
6	50010570	Sliding Block	1	
7	50010571	Shim	1	
8	00000683	Bolt GB/T 5783 M10 × 30	8	
9	00000679	Spring Washer GB/T 93 10	12	
10	00000615	Flat Washer GB/T 97.1 10	12	
11	00006122	Bolt GB/T 5786 M12×1.25 × 30	4	
12	00000815	Spring Washer GB/T 93 12	4	
13	00000814	Flat Washer GB/T 97.1 12	4	
14	00001052	Bolt GB/T 5783 M10 × 50	4	
15	50011391	Bracket	1	
16	92102015	Shim	6	
17	50010601	Sliding Block	2	

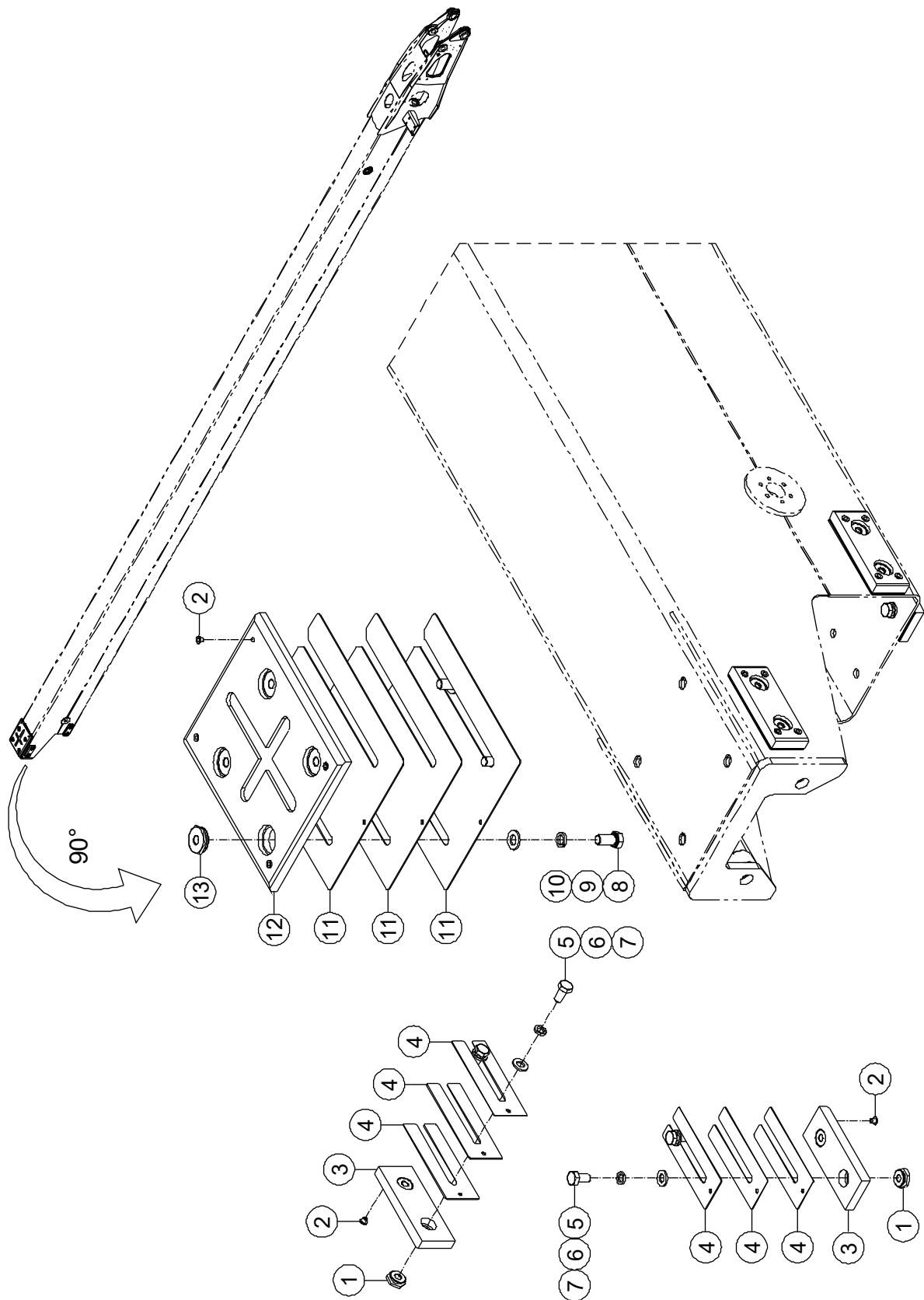
3-25 Second Boom Sliding Block Installations (BA36RT)



3-25 Second Boom Sliding Block Installations (BA36RT)

Item	Part Number	Description	Qty.	Remark
1	92000139	Insert	12	
2	92009458	Plug	28	
3	92000143	Sliding Block	6	
4	92029615	Shim	18	
5	92000169	Insert	4	
6	50010555	Sliding Block	1	
7	50010554	Shim	3	
8	00006121	Bolt GB/T 5786 M12×1.25 × 25	4	
9	00000815	Spring Washer GB/T 93 12	4	
10	00000814	Flat Washer GB/T 97.1 12	4	
11	00000683	Bolt GB/T 5783 M10 × 30	12	
12	00000679	Spring Washer GB/T 93 10	12	
13	00000615	Flat Washer GB/T 97.1 10	12	
14	50011559	Bracket	1	

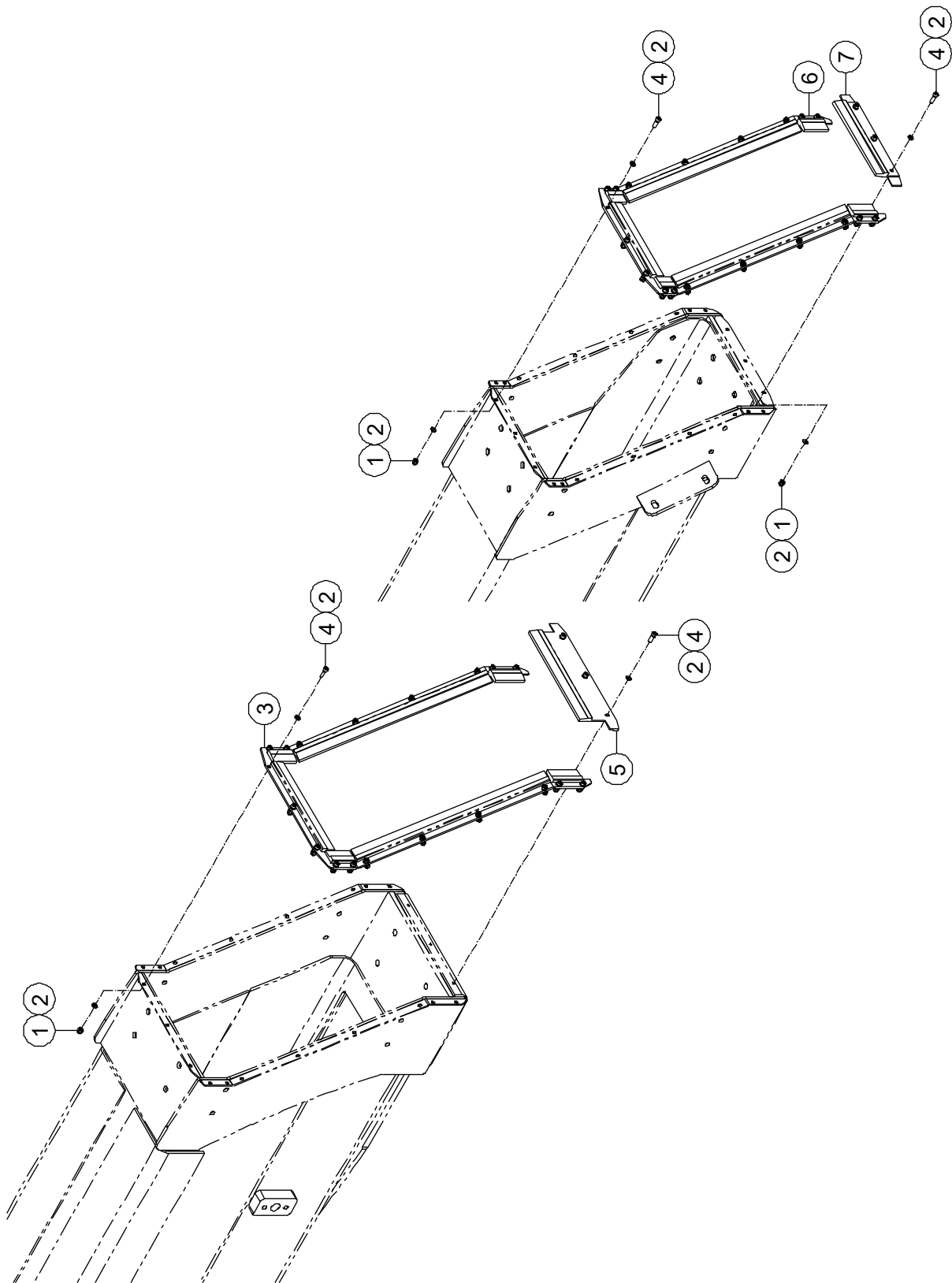
3-26 Third Boom Sliding Block Installations (BA44RT)



3-26 Third Boom Sliding Block Installations (BA44RT)

Item	Part Number	Description	Qty.	Remark
1	92000139	Insert	12	
2	92009458	Plug	28	
3	92000143	Sliding Block	6	
4	92029615	Shim	18	
5	00000674	Bolt GB/T 5783 M10 × 20	12	
6	00000679	Spring Washer GB/T 93 10	12	
7	00000615	Flat Washer GB/T 97.1 10	12	
8	00006121	Bolt GB/T 5786 M12×1.25 × 25	4	
9	00000815	Spring Washer GB/T 93 12	4	
10	00000814	Flat Washer GB/T 97.1 12	4	
11	50010554	Shim	3	
12	50010555	Sliding Block	1	
13	92000169	Insert	4	

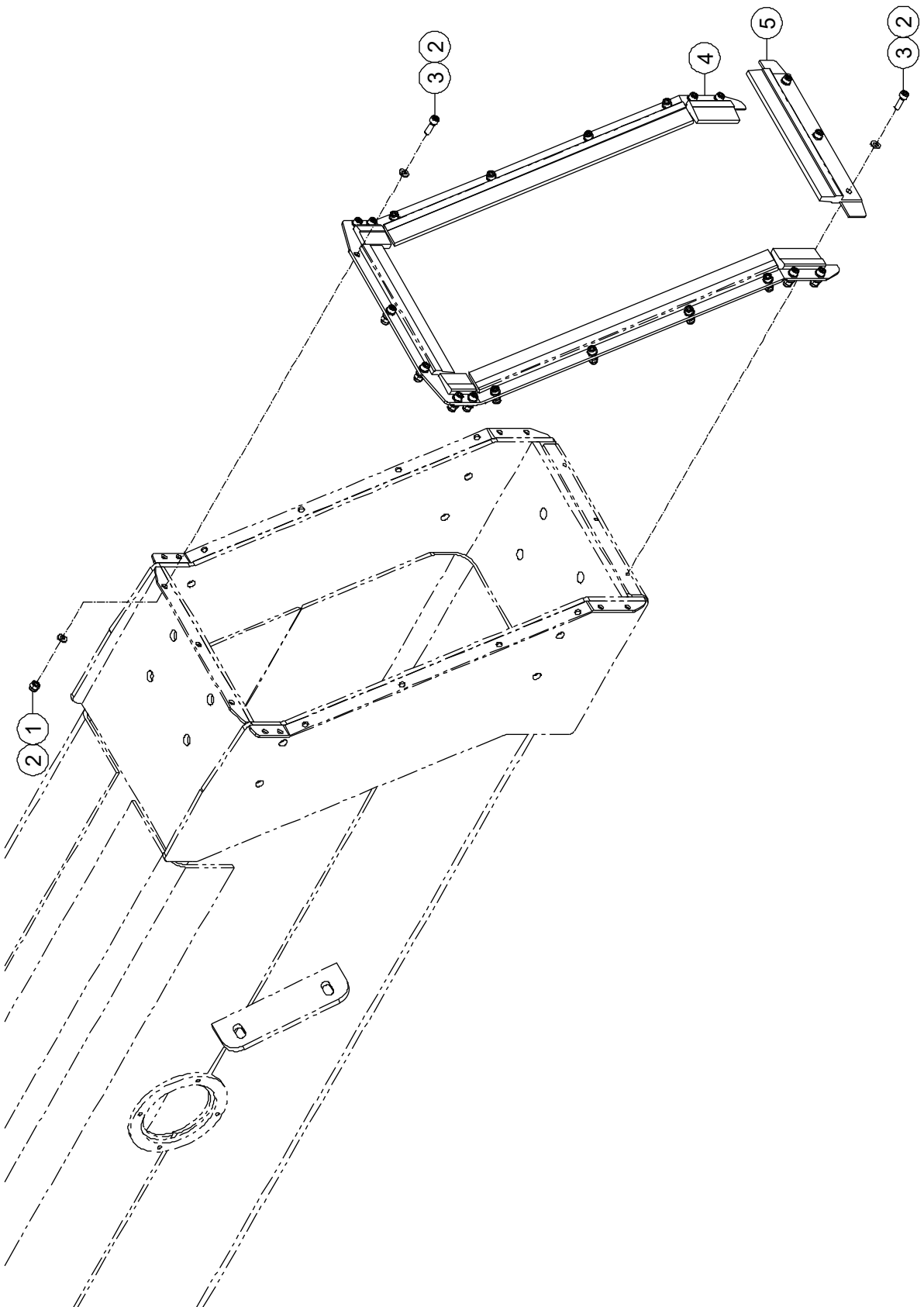
3-27 Boom Shield Installations (BA44RT)



3-27 Boom Shield Installations (BA44RT)

Item	Part Number	Description	Qty.	Remark
1	00001033	Nut GB/T 6182 M6	41	
2	00000620	Flat Washer GB/T 97.1 6	85	
3	50010476	Guard	1	
4	00000774	Screw GB/T 70 M6 × 20	44	
5	50010478	Guard	1	
6	50010561	Guard	1	
7	50010563	Guard	1	

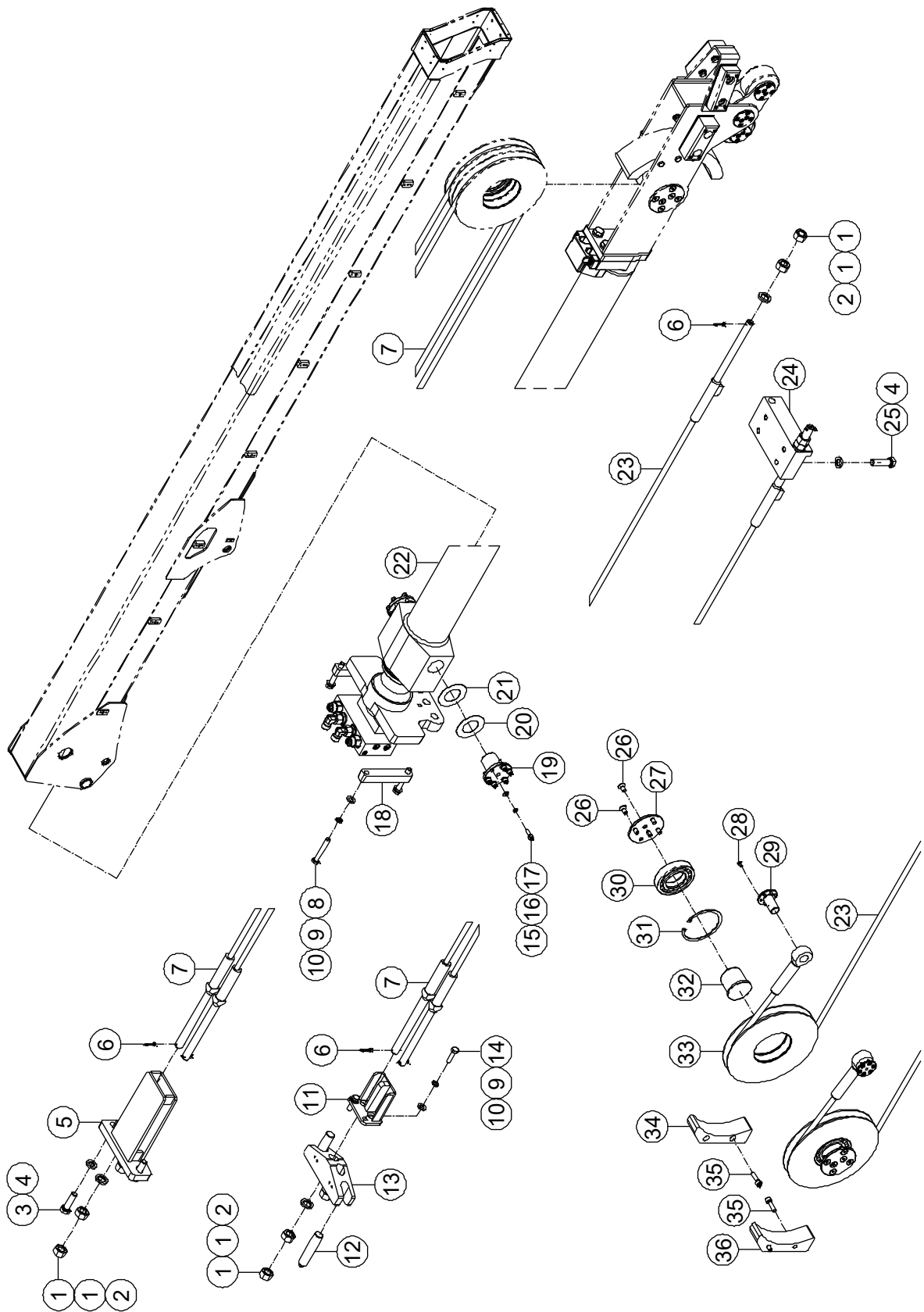
3-28 Boom Shield Installations (BA41RT, BA36RT)



3-28 Boom Shield Installations (BA41RT, BA36RT)

Item	Part Number	Description	Qty.	Remark
1	00001033	Nut GB/T 6182 M6	19	
2	00000620	Flat Washer GB/T 97.1 6	41	
3	00000774	Screw GB/T 70 M6 × 20	22	
4	50010476	Guard	1	BA41RT
	50010561	Guard	1	BA36RT
5	50010478	Guard	1	BA41RT
	50010563	Guard	1	BA36RT

3-29 Main Telescopic System Installations (BA44RT)



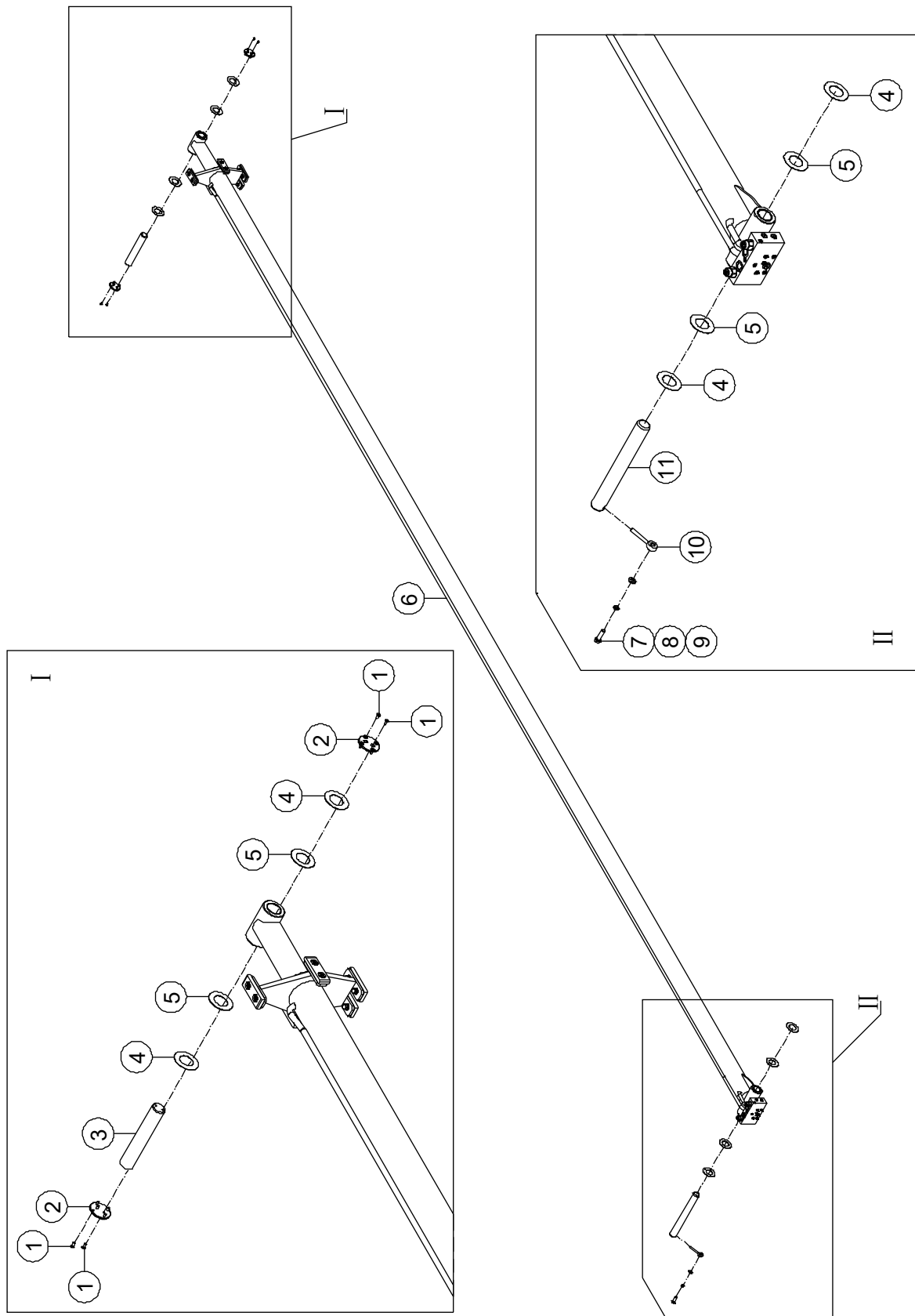
3-29 Main Telescopic System Installations (BA44RT)

Item	Part Number	Description	Qty.	Remark
1	00002272	Nut GB/T 6170 M20	12	
2	00001103	Flat Washer 20 JB/ZQ 4080-2006	6	
3	00002339	Bolt GB/T 5783 M16 × 55	2	
4	00001102	Flat Washer 16 JB/ZQ 4080-2006	6	
5	50010464	Support	1	
6	00002466	Cotter Pin GB/T 91 4 × 28	6	
7	50010468	Wire rope	2	
8	00002527	Bolt GB/T 5782 M12 × 80	4	
9	00000815	Spring Washer GB/T 93 12	6	
10	00000814	Flat Washer GB/T 97.1 12	6	
11	92101831	Support	1	
12	93306303	Bolt	2	
13	92101798	Plate	1	
14	00001055	Bolt GB/T 5783 M12 × 40	2	
15	00000608	Flat Washer GB/T 97.1 8	12	
16	00000609	Spring Washer GB/T 93 8	12	
17	00002555	Screw GB/T 70 M8 × 25	12	
18	92101870	Block	2	
19	50010575	Pin	2	
20	50011082	Shim	2	
21	50011083	Shim	2	
22		Main Telescopic Cylinder Assembly (<i>Refer to 5-8</i>)	1	
23	50010603	Wire rope	2	
24	50010513	Support	1	
25	00001049	Bolt GB/T 5783 M16 × 60	4	
26	00000845	Screw GB/T 70.3 M10×20	12	
27	92101805	Cover	2	
28	00000829	Screw GB/T 70.3 M6×12	12	

3-29 Main Telescopic System Installations (BA44RT) (Continued)

Item	Part Number	Description	Qty.	Remark
29	50010552	Pin	2	
30	00004164	Bearing GB/T 283-1994 - NUP 212 E	2	
31	00002457	Washer GB/T 893.1-110	2	
32	00012239	891B-60055 Pin, Pivot	2	
33	92101807	Pulley	2	
34	50010566	Guide plate	1	
35	00002238	Screw GB/T 70 M10 × 35	4	
36	50010568	Guide plate	1	

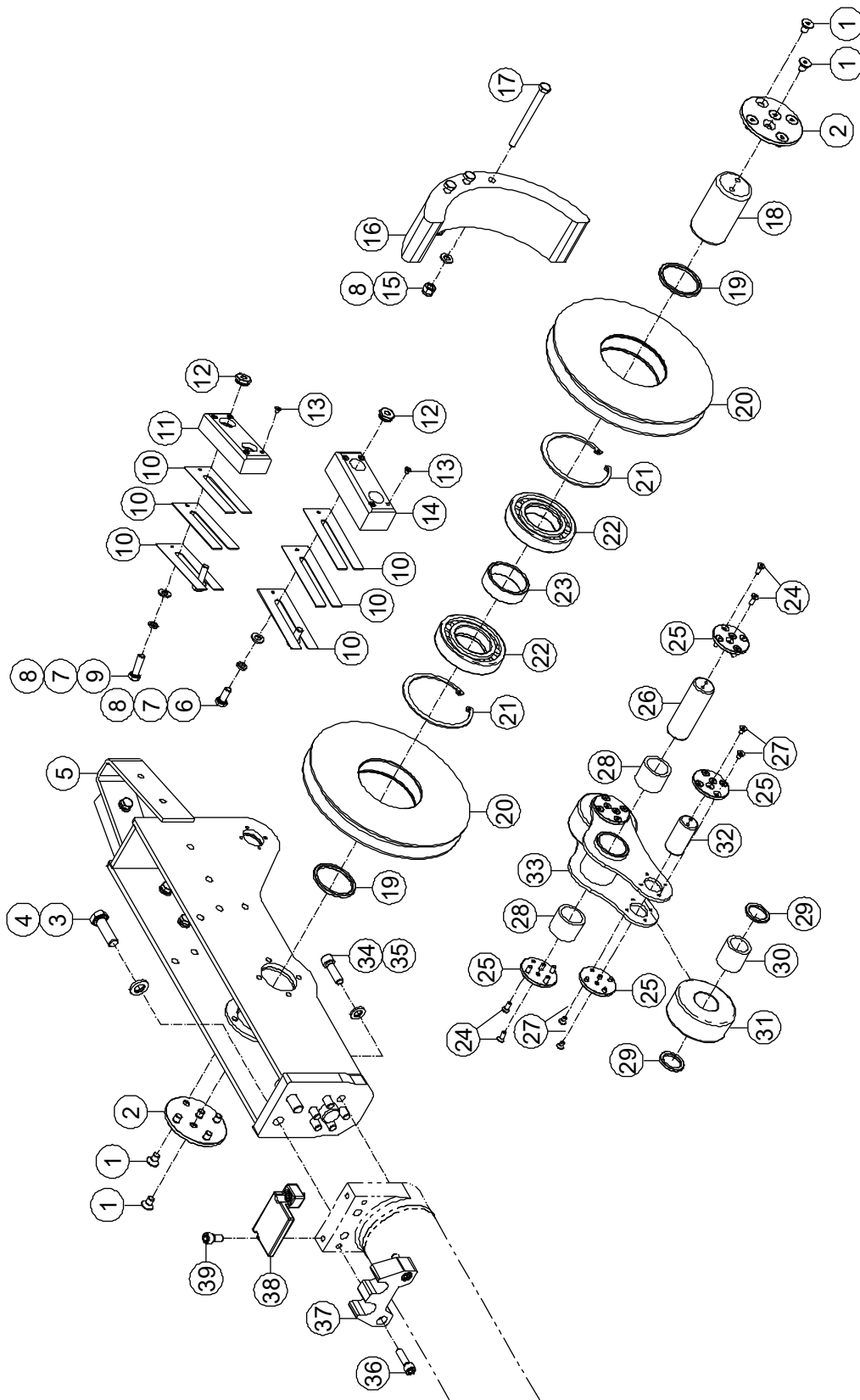
3-30 Main Telescopic System Installations (BA41RT, BA36RT)



3-30 Main Telescopic System Installations (BA41RT, BA36RT)

Item	Part Number	Description	Qty.	Remark
1	00000830	Screw GB/T 70.3 M6×16	12	
2	50007285	Cover	2	
3	00012374	893C-45254 Pin, Pivot	1	BA41RT
	00000476	893C-45210 Pin, Pivot	1	BA36RT
4	50011082	Shim	4	
5	50011083	Shim	4	
6		Main Telescopic Cylinder Assembly (<i>Refer to 5-9</i>)	1	
7	00001055	Bolt GB/T 5783 M12 × 40	1	
8	00000815	Spring Washer GB/T 93 12	1	
9	00000814	Flat Washer GB/T 97.1 12	1	
10	00002464	8902-12085 Pin, Lock	1	
11	00012372	895-45350 Pin, Pivot	1	BA41RT
	00012371	895-45306 Pin, Pivot	1	BA36RT

3-31 Main Telescopic Cylinder Assembly Accessories Installations 1 (BA44RT)



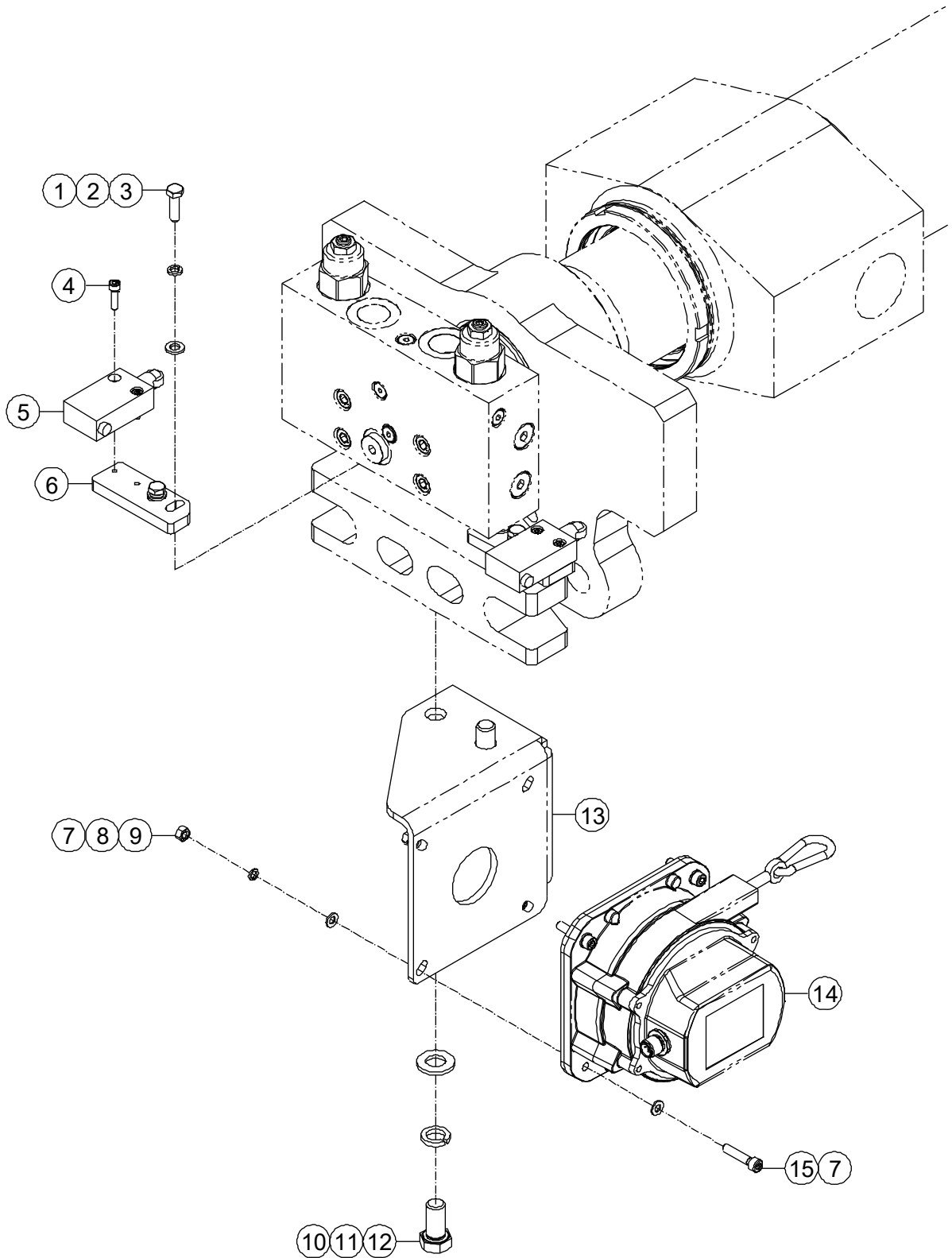
3-31 Main Telescopic Cylinder Assembly Accessories Installations 1 (BA44RT)

Item	Part Number	Description	Qty.	Remark
1	00000844	Screw GB/T 70.3 M10×16	12	
2	92101805	Cover	2	
3	00001036	Bolt GB/T 5783 M16 × 50	2	
4	00001102	Flat Washer 16 JB/ZQ 4080-2006	2	
5	92101813	Pulley Mount, Extension Cable	1	
6	00000678	Bolt GB/T 5783 M10 × 25	4	
7	00000679	Spring Washer GB/T 93 10	8	
8	00000615	Flat Washer GB/T 97.1 10	11	
9	00000684	Bolt GB/T 5783 M10 × 35	4	
10	92029615	Shim	12	
11	92101809	Sliding Block	2	
12	92000139	Insert	8	
13	92009458	Plug	16	
14	92101811	Sliding Block	2	
15	00000623	Nut GB/T 6182 M10	3	
16	92101812	Support	1	
17	00004603	Bolt GB/T 5782 M10 × 120	3	
18	00010146	893C-60103 Pin, Pivot	1	
19	92101830	Spacer	2	
20	92101807	Pulley	2	
21	00002457	Washer GB/T 893.1-110	2	
22	00004164	Bearing GB/T 283-1994 - NUP 212 E	2	
23	92101829	Spacer	1	
24	00000830	Screw GB/T 70.3 M6×16	12	
25	50002011	Cover	6	
26	00010169	893C-35103 Pin, Pivot	1	
27	00000828	Screw GB/T 70.3 M6×10	24	
28	00000416	8813-354535 Sleeve Bearing	2	

3-31 Main Telescopic Cylinder Assembly Accessories Installations 1 (BA44RT) (Continued)

Item	Part Number	Description	Qty.	Remark
29	50002018	Spacer	4	
30	00002920	8811-304040 Sleeve Bearing	2	
31	92101828	Wheel, Nylon	2	
32	00010168	893C-30059 Pin, Pivot	2	
33	92101824	Support	1	
34	00000670	Screw GB/T 70 M12 × 40	6	
35	00001100	Washer 12 JB/ZQ 4080-2006	6	
36	00002238	Screw GB/T 70 M10 × 35	2	
37	92101801	Guide plate	1	
38	92101802	Guide plate	1	
39	00002249	Screw GB/T 70 M10 × 20	2	

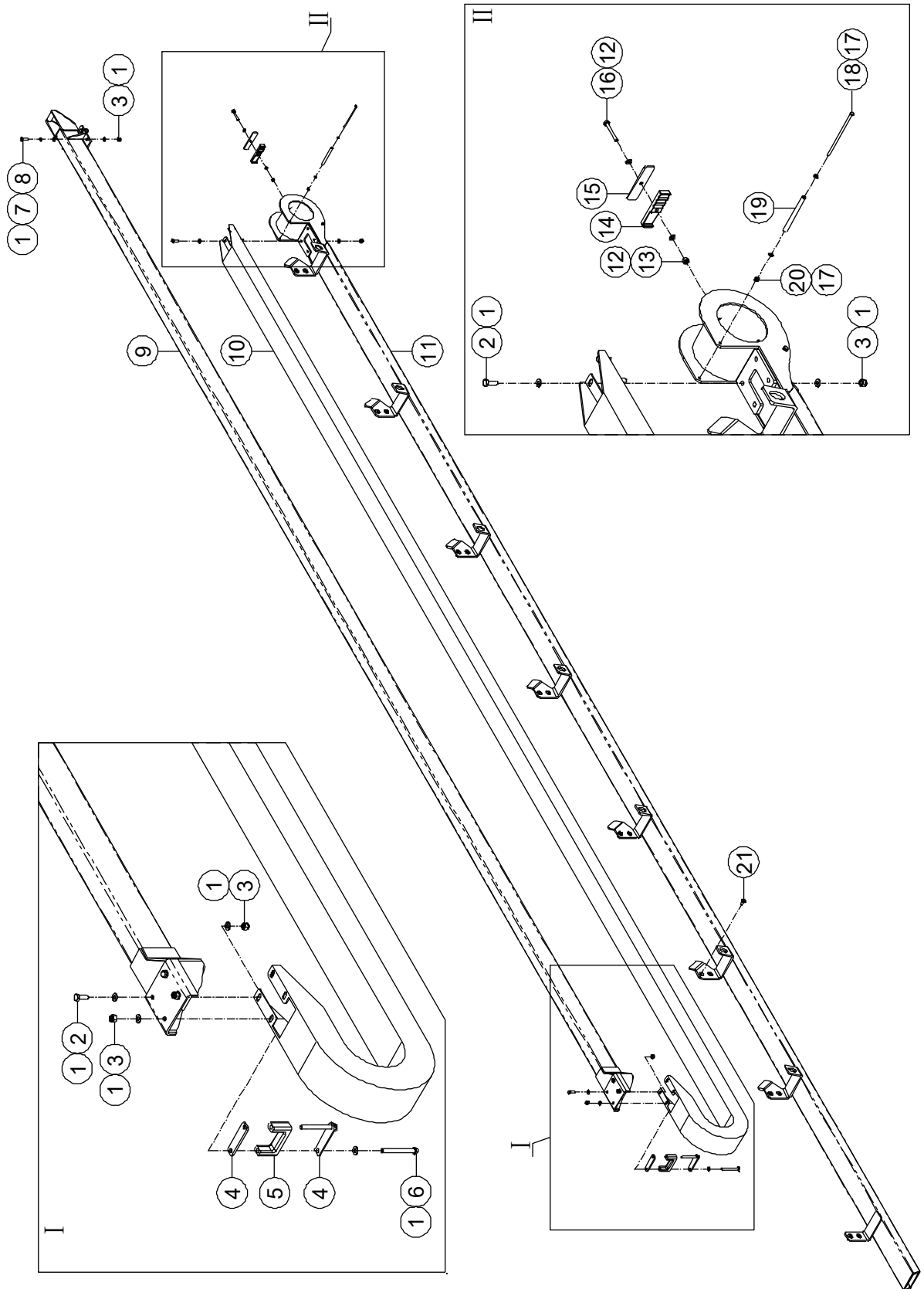
3-32 Main Telescopic Cylinder Assembly Accessories Installations 2 (BA44RT)



3-32 Main Telescopic Cylinder Assembly Accessories Installations 2 (BA44RT)

Item	Part Number	Description	Qty.	Remark
1	00000620	Flat Washer GB/T 97.1 6	4	
2	00000621	Spring Washer GB/T 93 6	4	
3	00000743	Bolt GB/T 5783 M6 × 20	4	
4	00000604	Screw GB/T 70.1 M4×16	4	
5	00003167	Proximity Switch	2	
6	93300552	Support	2	
7	00000605	Flat Washer GB/T 97.1 5	8	
8	00000606	Spring Washer GB/T 93 5	4	
9	00000688	Nut GB/T 6170 M5	4	
10	00000814	Flat Washer GB/T 97.1 12	2	
11	00000815	Spring Washer GB/T 93 12	2	
12	00000816	Bolt GB/T 5783 M12 × 25	2	
13	50010461	Support	1	
14	93300023	Length Angle Sensor	1	
15	00002484	Screw GB/T 70 M5 × 25	4	

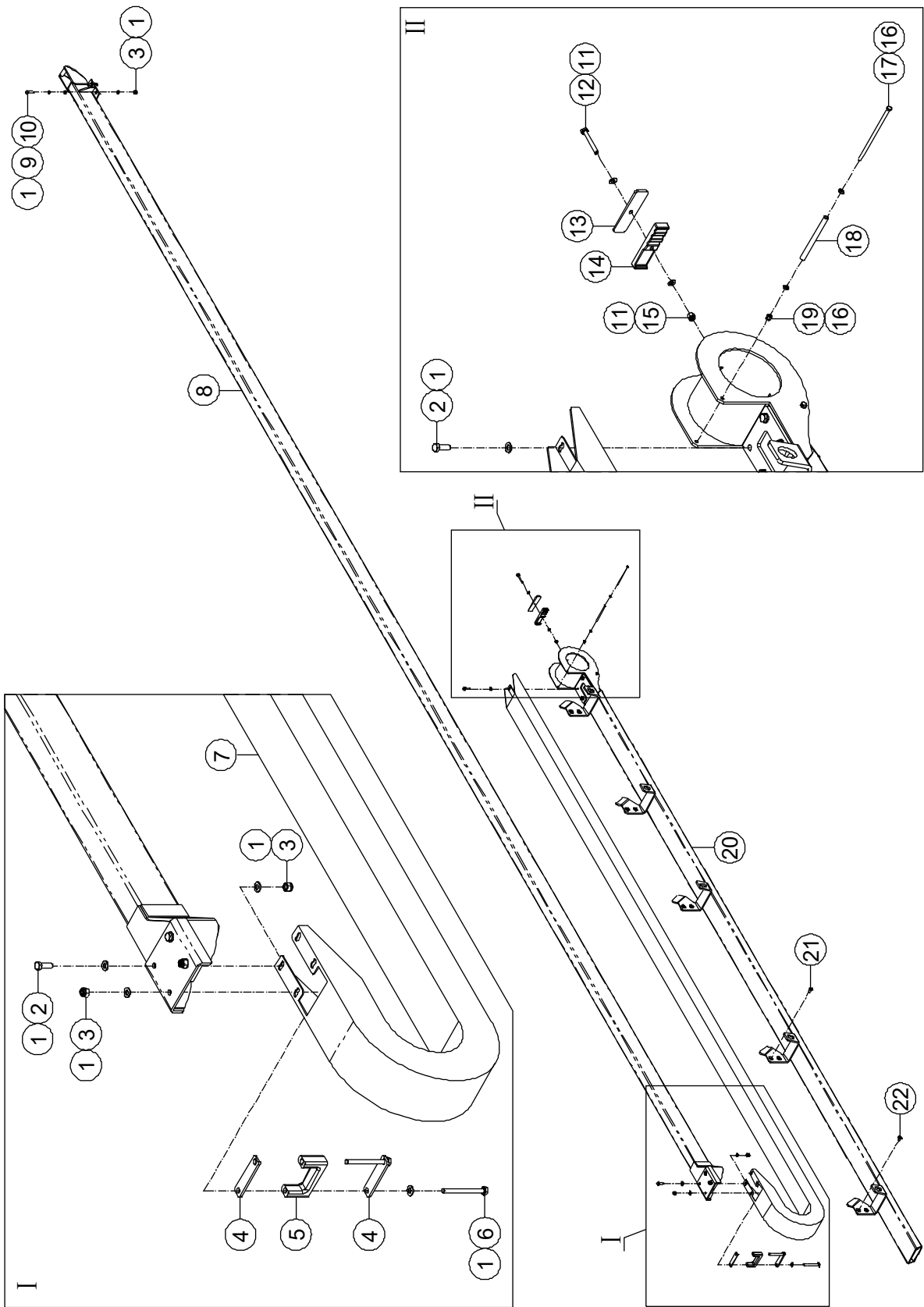
3-33 Carrier System Installations 1 (BA44RT)



3-33 Carrier System Installations 1 (BA44RT)

Item	Part Number	Description	Qty.	Remark
1	00000615	Flat Washer GB/T 97.1 10	24	
2	00000683	Bolt GB/T 5783 M10 × 30	6	
3	00000623	Nut GB/T 6182 M10	12	
4	92100680	Plate	2	
5	92102400	Clamp	1	
6	00001040	Bolt GB/T 5782 M10 × 100	2	
7	00000679	Spring Washer GB/T 93 10	4	
8	00001041	Bolt GB/T 5783 M10 × 40	4	
9	50010973	Support	1	
10	50010456	Chain	1	
11	50010457	Support	1	
12	00000608	Flat Washer GB/T 97.1 8	2	
13	00001163	Nut GB/T 6182 M8	1	
14	92102401	Clamp	1	
15	92100679	Plate	1	
16	00001162	Bolt GB/T 5782 M8 × 60	1	
17	00000620	Flat Washer GB/T 97.1 6	4	
18	00006414	Bolt GB/T 5782 M6 × 145	2	
19	92048339	Roller	2	
20	00001033	Nut GB/T 6182 M6	2	
21	00000854	Screw GB/T 70.3 M12×25	16	

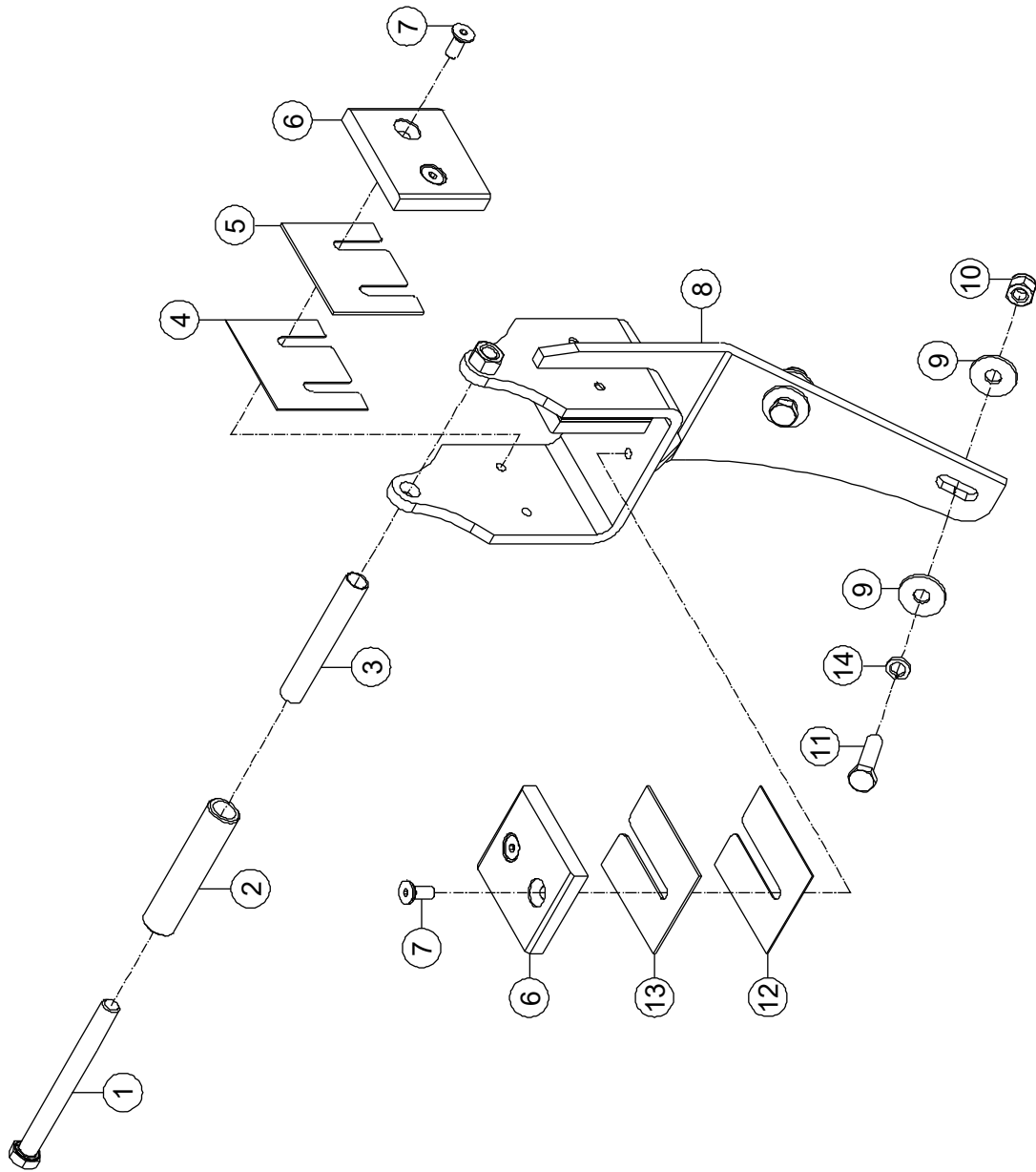
3-34 Carrier System Installations 1 (BA41RT, BA36RT)



3-34 Carrier System Installations 1 (BA41RT, BA36RT)

Item	Part Number	Description	Qty.	Remark
1	00000615	Flat Washer GB/T 97.1 10	24	
2	00000683	Bolt GB/T 5783 M10 × 30	6	
3	00000623	Nut GB/T 6182 M10	12	
4	92100680	Plate	2	
5	92102400	Clamp	1	
6	00001040	Bolt GB/T 5782 M10 × 100	2	
7	50011384	Chain	1	BA41RT
	50011562	Chain	1	BA36RT
8	50011385	Support	1	BA41RT
	50011563	Support	1	BA36RT
9	00000679	Spring Washer GB/T 93 10	4	
10	00001041	Bolt GB/T 5783 M10 × 40	4	
11	00000608	Flat Washer GB/T 97.1 8	2	
12	00001162	Bolt GB/T 5782 M8 × 60	1	
13	92100679	Plate	1	
14	92102401	Clamp	1	
15	00001163	Nut GB/T 6182 M8	1	
16	00000620	Flat Washer GB/T 97.1 6	4	
17	00006414	Bolt GB/T 5782 M6 × 145	2	
18	92048339	Roller	2	
19	00001033	Nut GB/T 6182 M6	2	
20	50011382	Support	1	
21	00000854	Screw GB/T 70.3 M12×25	8	
22	00000853	Screw GB/T 70.3 M12×20	2	

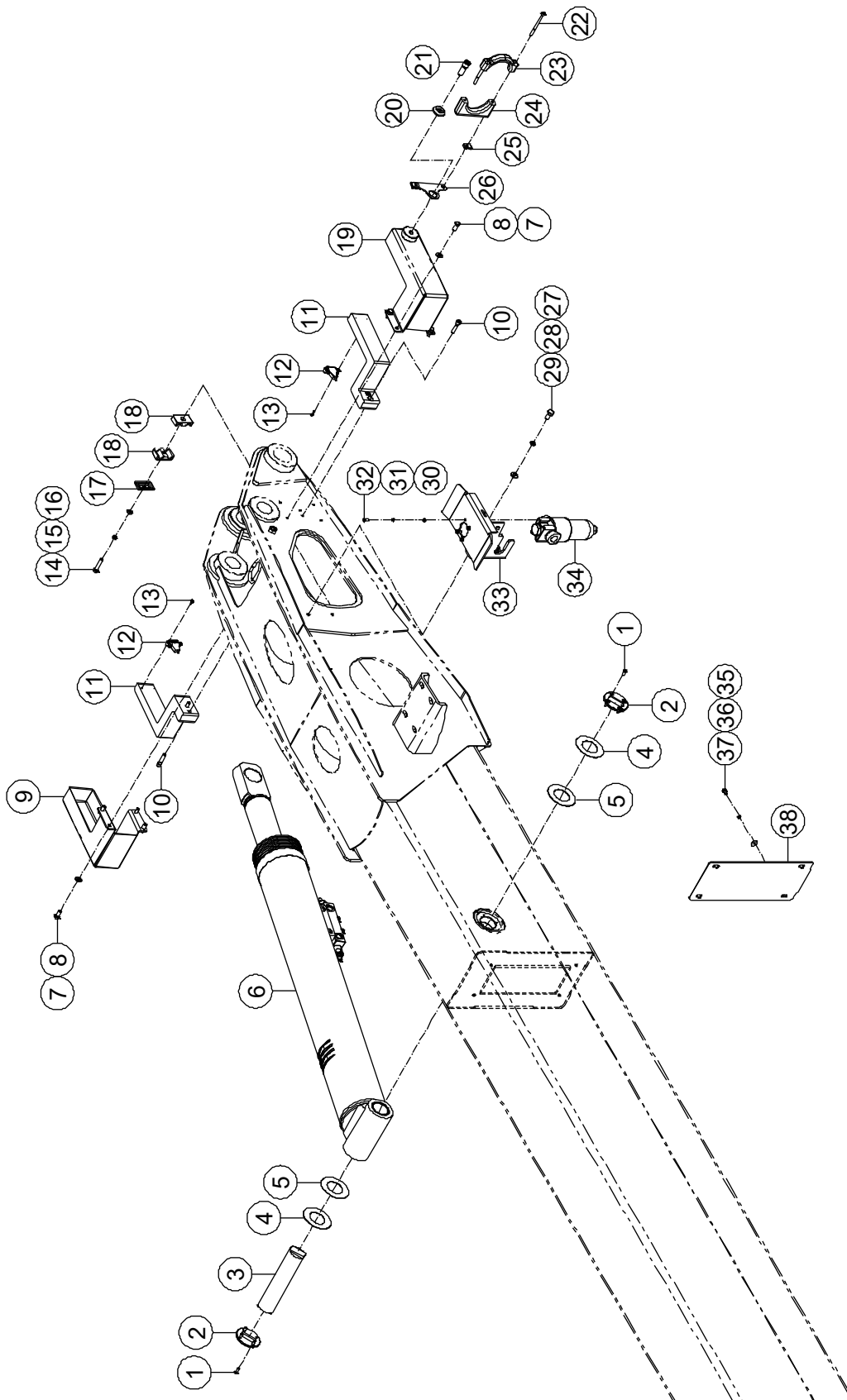
3-35 Carrier System Installations 2



3-35 Carrier System Installations 2

Item	Part Number	Description	Qty.	Remark
1	00002012	Bolt GB/T 5782 M12 × 130	1	
2	92048398	Roller	1	
3	92048400	Roller	1	
4	92048401	Shim	2	
5	92048402	Shim	2	
6	92048393	Sliding Block	3	
7	00000765	Screw GB/T 70.3 M8×20	6	
8	92050971	Support	1	
9	00001028	Flat Washer GB/T 96.1 10	4	
10	00000623	Nut GB/T 6182 M10	2	
11	00001041	Bolt GB/T 5783 M10 × 40	2	
12	92048396	Shim	1	
13	92048397	Shim	1	
14	00000679	Spring Washer GB/T 93 10	2	

3-36 JIB Lifting Cylinder Assembly Installations



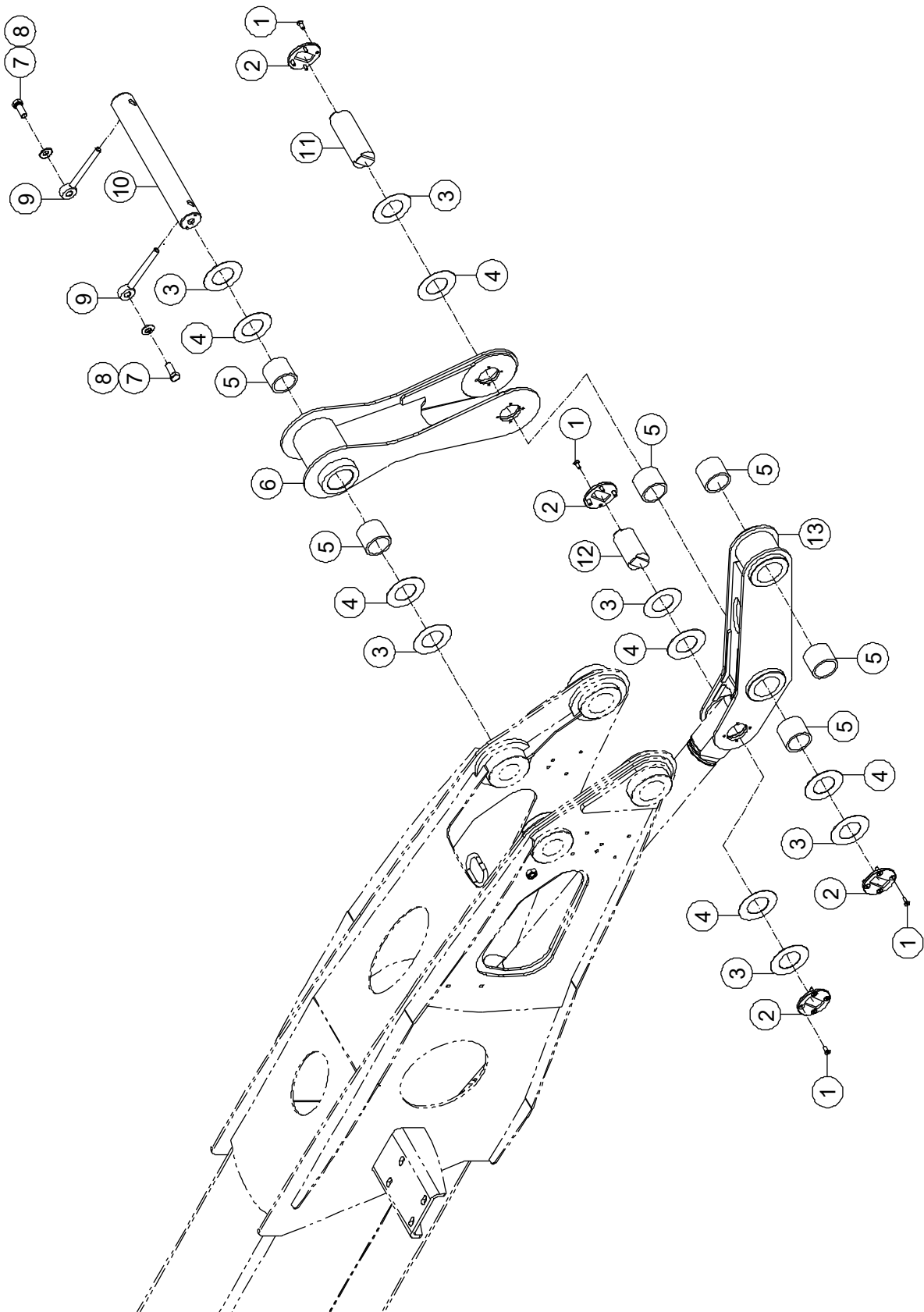
3-36 JIB Lifting Cylinder Assembly Installations

Item	Part Number	Description	Qty.	Remark
1	00000830	Screw GB/T 70.3 M6×16	8	
2	50011736	Cover	2	
3	50011737	Pin, Pivot	1	BA44RT BA36RT
	50011742	Pin, Pivot	1	BA41RT
4	50011082	Shim	2	
5	50011083	Shim	2	
6		JIB Lifting Cylinder Assembly (<i>Refer to 5-10</i>)	1	
7	93000015	Spring Washer Φ8.2	8	
8	00000875	Bolt GB/T 5783 M8 × 20	8	
9	50011088	Housing	1	BA44RT BA36RT
	50011406	Housing	1	BA41RT
10	00002062	Screw GB/T 70 M8 × 35	4	
11	50011001	Bracket	2	BA44RT BA36RT
	50011404	Bracket	2	BA41RT
12	93300021	Angle Sensor	2	
13	00001054	Screw GB/T 70 M4 × 12	4	
14	00002604	Bolt GB/T 5783 M8 × 40	1	
15	00000609	Spring Washer GB/T 93 8	1	
16	00000608	Flat Washer GB/T 97.1 8	1	
17	90001243	Spacer	1	
18	90001242	Clamp	2	
19	50011086	Housing	1	BA44RT BA36RT
	50011405	Housing	1	BA41RT
20	92049165	Support	1	
21	00006425	Screw GB/T 70 M12 × 35	1	
22	00006426	Screw GB/T 70 M6 × 80	2	

3-36 JIB Lifting Cylinder Assembly Installations (Continued)

Item	Part Number	Description	Qty.	Remark
23	92000221	Clamp	1	
24	92000219	Clamp	1	
25	50000112	Nut QC/T 885 M6	2	
26	92000220	Support	1	
27	00000615	Flat Washer GB/T 97.1 10	2	
28	00000679	Spring Washer GB/T 93 10	2	
29	00000674	Bolt GB/T 5783 M10 × 20	2	
30	00000605	Flat Washer GB/T 97.1 5	4	
31	00000606	Spring Washer GB/T 93 5	4	
32	00002246	Bolt GB/T 5783 M5 × 12	4	
33	50011092	Support	1	
34	93000393	Pressure Filter	1	
35	00002583	Flat Washer GB/T 96.1 6	4	
36	00000621	Spring Washer GB/T 93 6	4	
37	00000745	Bolt GB/T 5783 M6 × 12	4	
38	50010557	Cover	1	

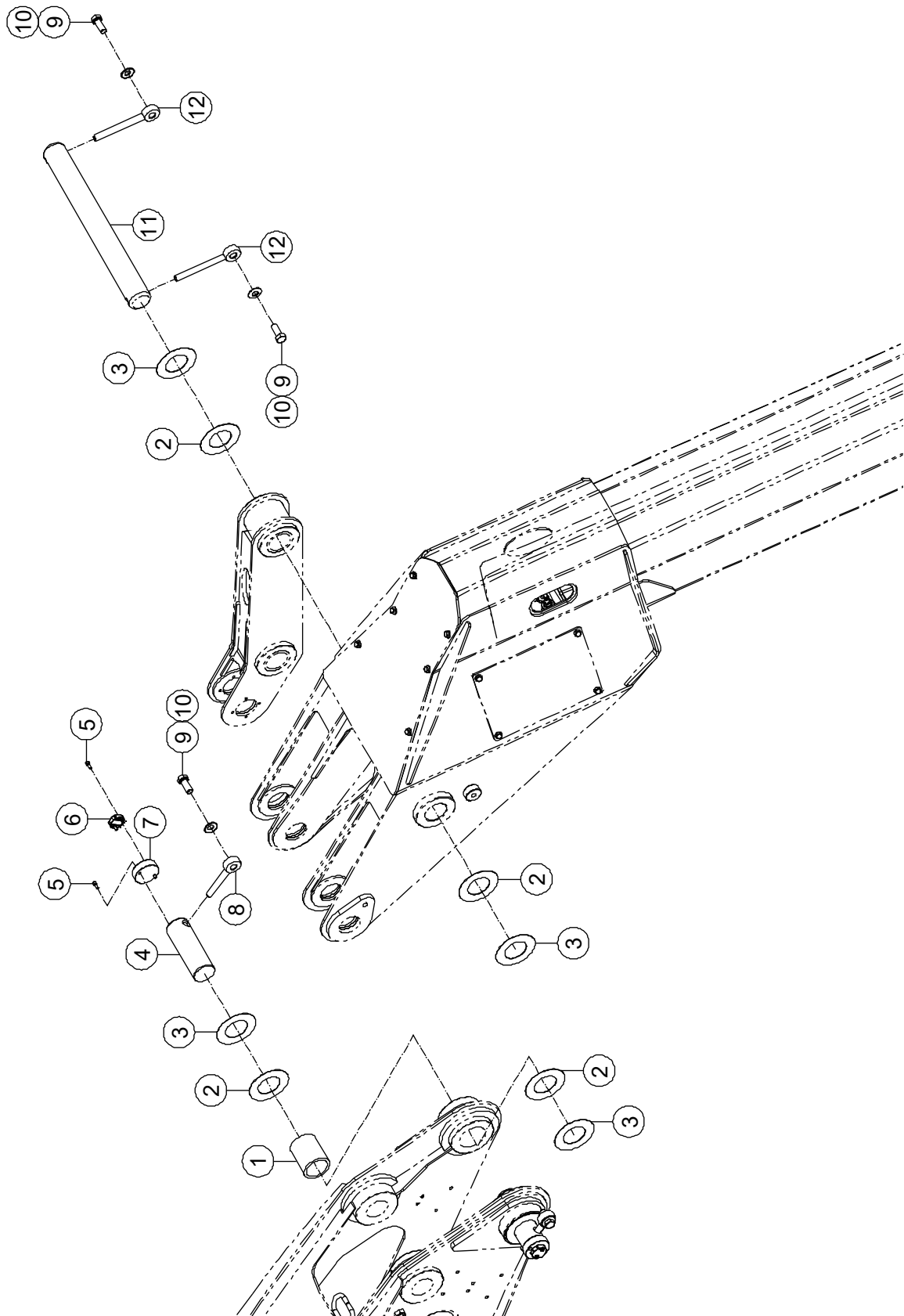
3-37 Telescopic Boom and Linkage Installations



3-37 Telescopic Boom and Linkage Installations

Item	Part Number	Description	Qty.	Remark
1	00000830	Screw GB/T 70.3 M6×16	16	
2	50011736	Cover	4	
3	50011082	Shim	6	
4	50011083	Shim	6	
5	00000761	8813-455545 Sleeve Bearing	6	
6	50010993	Linkage	1	
7	00002059	Bolt GB/T 5783 M12 × 30	2	
8	93000017	Spring Washer Φ12.4	2	
9	00002465	8902-12120 Pin, Lock	2	
10	50011081	Pin, Pivot	1	BA44RT BA36RT
	50011408	Pin, Pivot	1	BA41RT
11	50011735	Pin, Pivot	1	
12	50011738	Pin, Pivot	1	
13	50010984	Linkage	1	

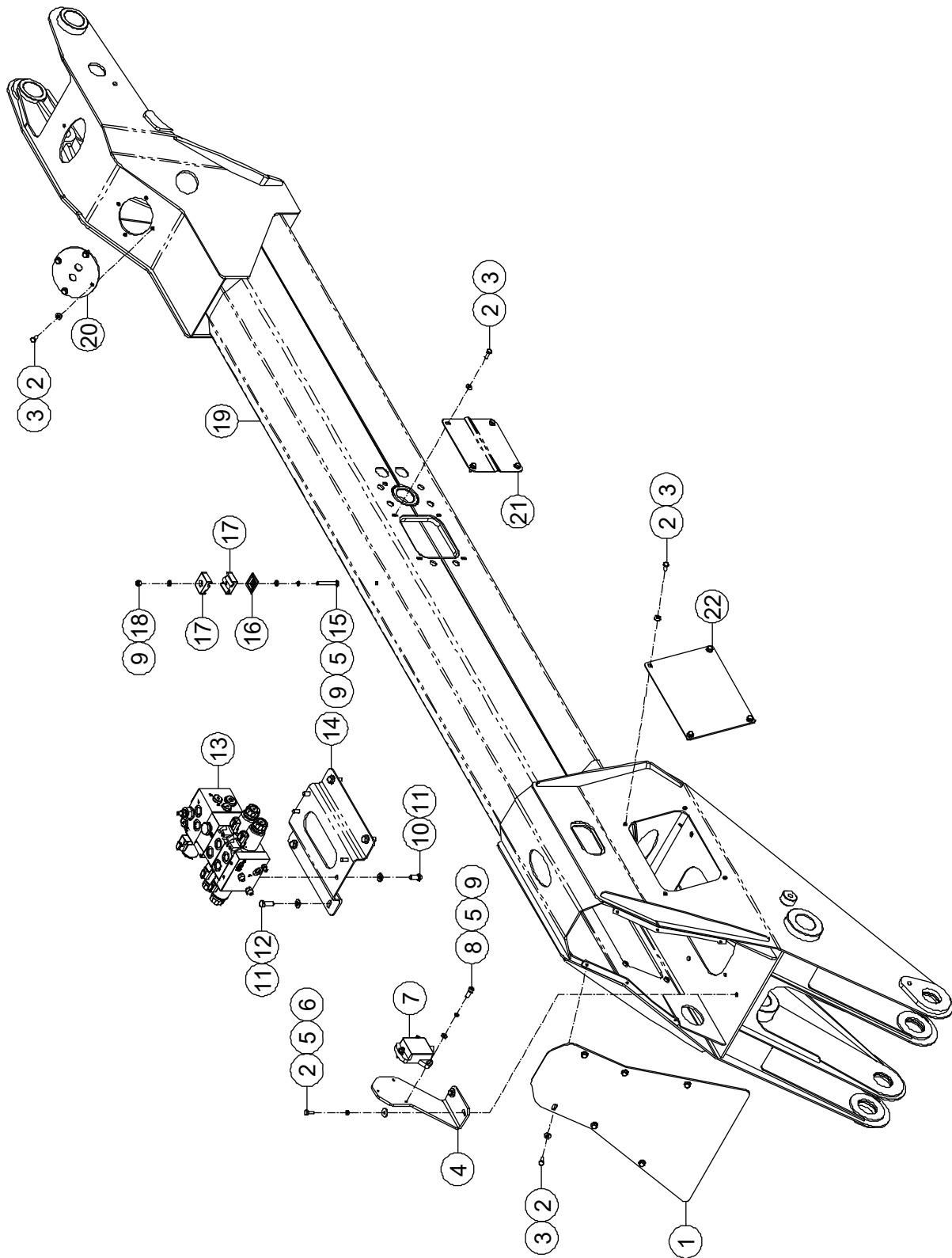
3-38 Telescopic Boom and JIB Installations



3-38 Telescopic Boom and JIB Installations

Item	Part Number	Description	Qty.	Remark
1	00012269	8813-455565 Sleeve Bearing	2	
2	50011083	Shim	6	
3	50011082	Shim	6	
4	50011084	Pin, Pivot	2	
5	00001054	Screw GB/T 70 M4 × 12	8	
6	93300156	Actuator for magnetic angle sensors	2	
7	93000395	Bracket	2	
8	00002464	8902-12085 Pin, Lock	2	
9	00002059	Bolt GB/T 5783 M12 × 30	4	
10	93000017	Spring Washer Φ12.4	4	
11	00012233	897-45380 Pin, Pivot	1	
12	00002465	8902-12120 Pin, Lock	2	

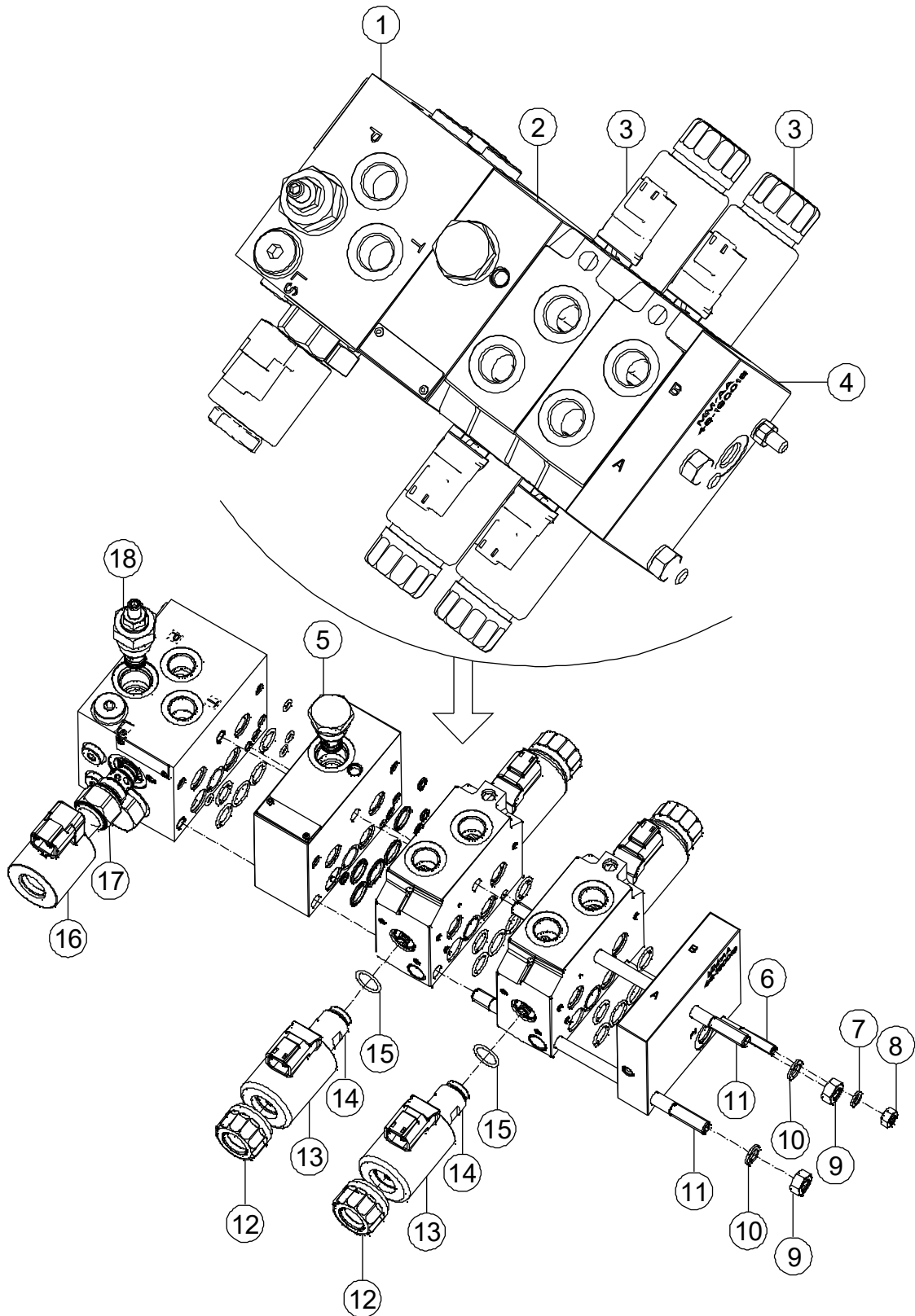
3-39 JIB Accessories Installations



3-39 JIB Accessories Installations

Item	Part Number	Description	Qty.	Remark
1	50011155	Cover	1	
2	00000818	Bolt GB/T 5783 M6 × 16	28	
3	93000014	Spring Washer Φ6.1	26	
4	50011823	Bracket	1	
5	00000621	Spring Washer GB/T 93 6	6	
6	00002583	Flat Washer GB/T 96.1 6	2	
7	00008914	Angle Sensor	1	
8	00000774	Screw GB/T 70 M6 × 20	3	
9	00000620	Flat Washer GB/T 97.1 6	5	
10	00000875	Bolt GB/T 5783 M8 × 20	4	
11	93000015	Spring Washer Φ8.2	8	
12	00000993	Bolt GB/T 5783 M8 × 25	4	
13	00012962	Valve Block (<i>Refer to 3-40</i>)	1	
14	50011154	Bracket	1	
15	00002509	Bolt GB/T 5783 M6 × 50	1	
16	90004148	Plate	1	
17	50011089	Clamp	2	
18	00001033	Nut GB/T 6182 M6	1	
19	50011828	Jib Boom	1	
20	50011017	Bracket	1	
21	50011013	Cover	2	
22	50011159	Cover	2	

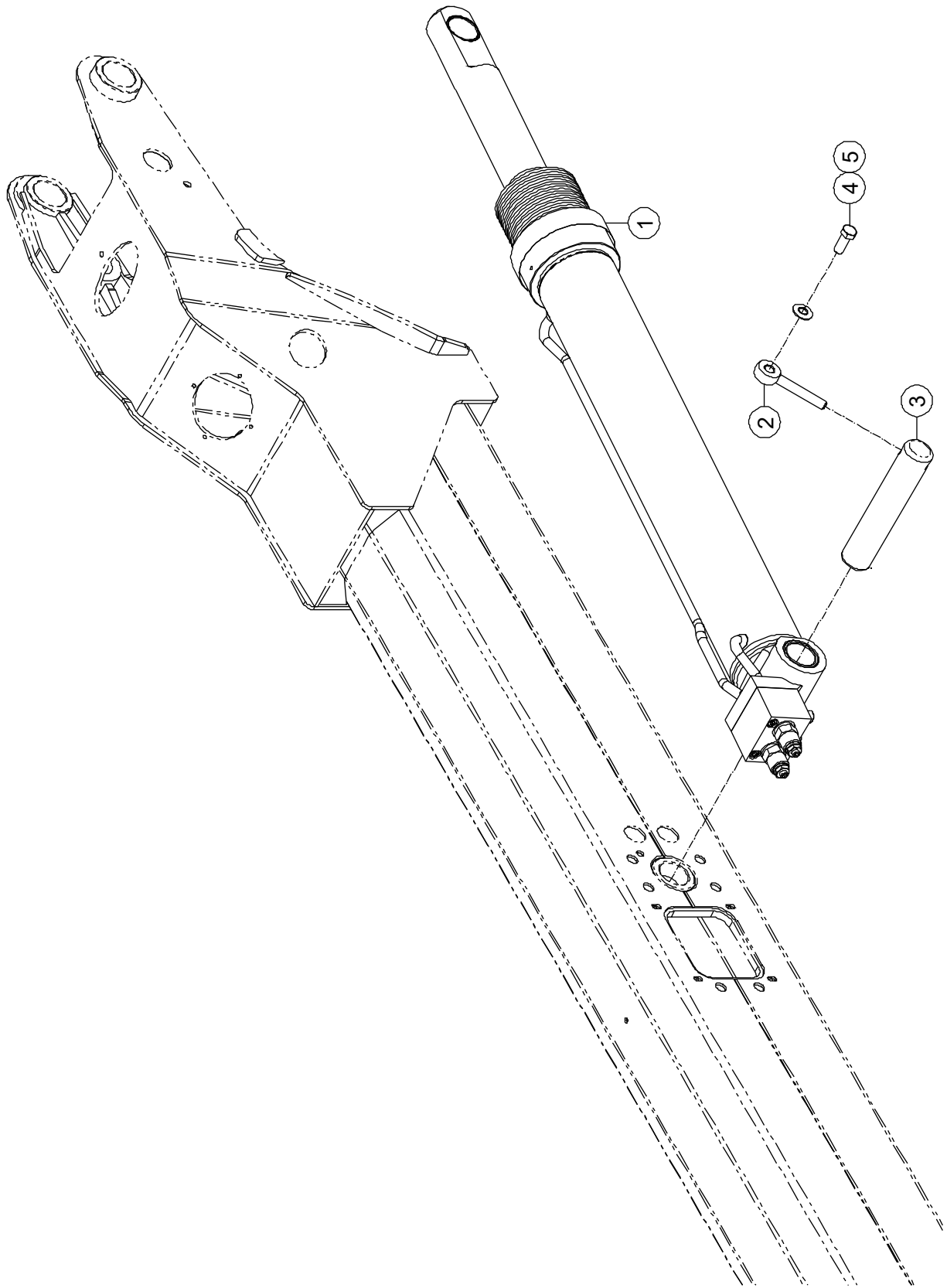
3-40 Valve Block



3-40 Valve Block

Item	Part Number	Description	Qty.	Remark
1	00011513	Inlet Unit	1	
2	00011512	Check Valve Assembly	1	
3	00011511	Work Unit, Platform Swing	2	
4	00011509	Cover	1	
5	00011578	Cartridge, Check Valve	1	
6	00011539	Tie-Rod	1	
7	00011577	Lock-Washer	1	
8	00011544	Nut	1	
9	00011576	Nut	2	
10	00011547	Lock-Washer	2	
11	00011540	Tie-Rod	2	
12	00011522	Nut	4	
13	00011503	Coil	4	
14	00011500	Cartridge, Proportional Valve	4	
15	00011537	Seal	4	
16	00011502	Coil	1	
17	00011579	Cartridge, Solenoid Valve	1	
18	00011580	Cartridge, Relief Valve	1	

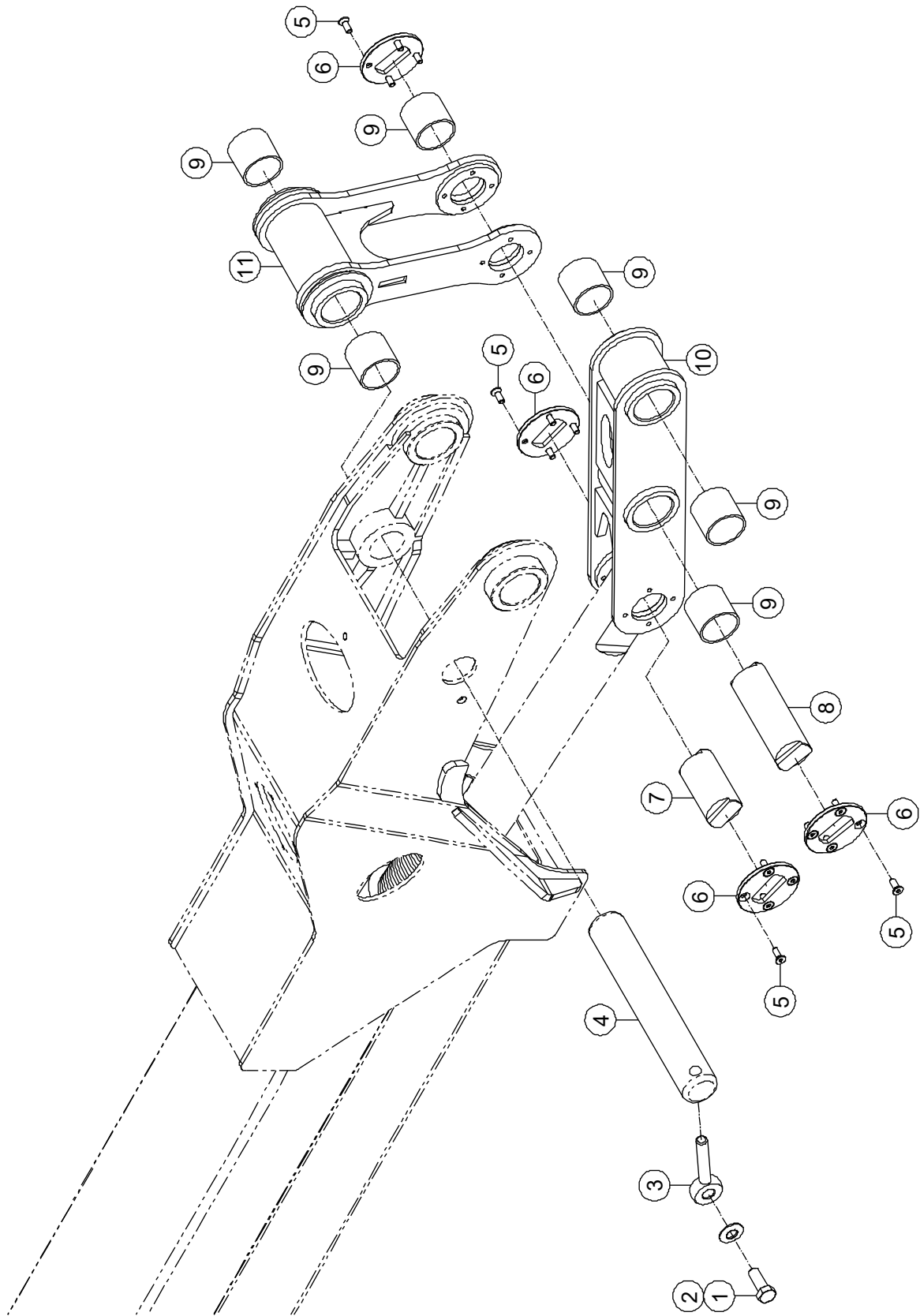
3-41 Leveling Cylinder Assembly Installations



3-41 Leveling Cylinder Assembly Installations

Item	Part Number	Description	Qty.	Remark
1		Leveling Cylinder Assembly (<i>Refer to 5-11</i>)	1	
2	00002464	8902-12085 Pin, Lock	1	
3	00012227	895-40187 Pin, Pivot	1	
4	00002059	Bolt GB/T 5783 M12 × 30	1	
5	93000017	Spring Washer Φ12.4	1	

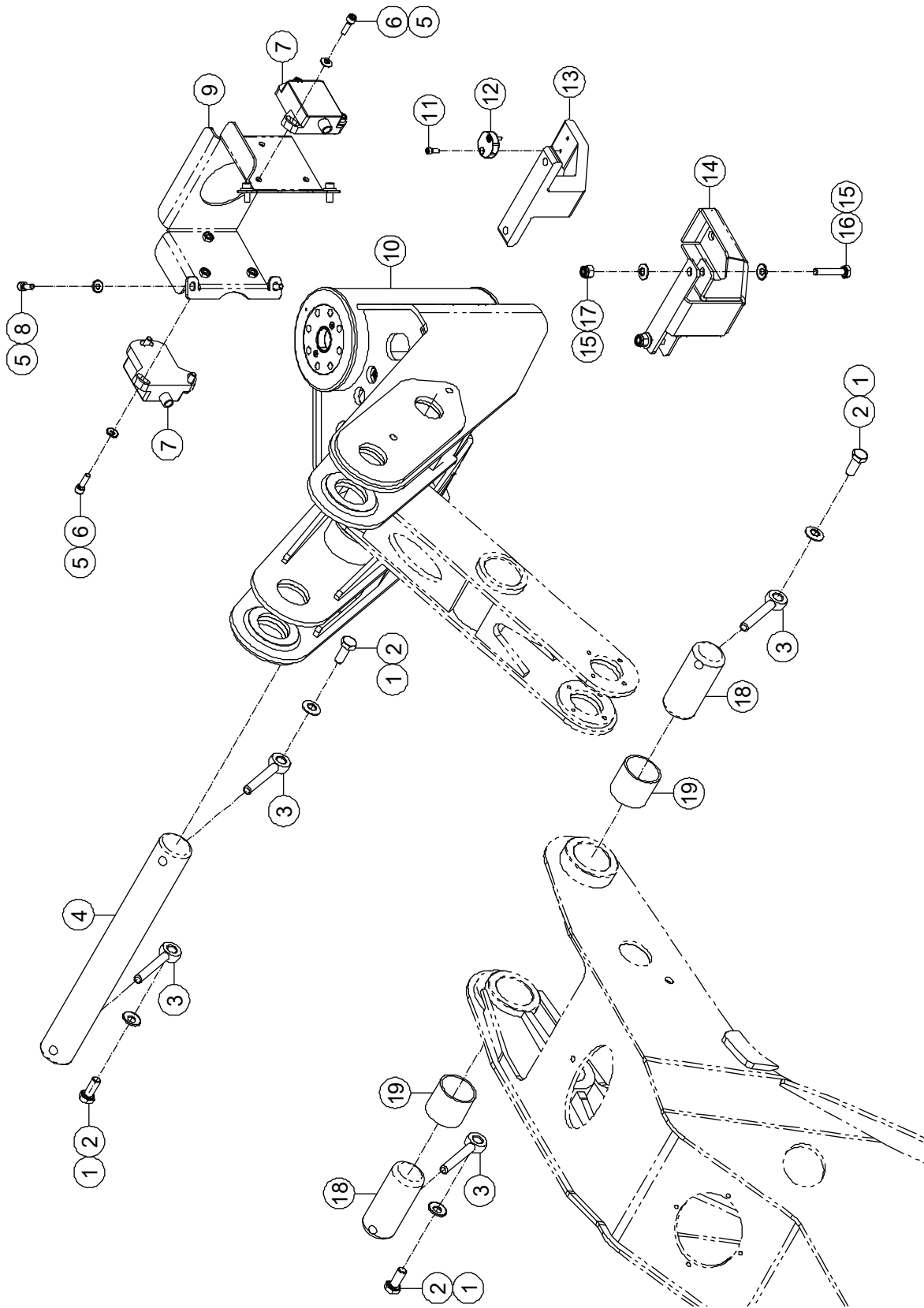
3-42 Jib and Linkage Installations



3-42 Jib and Linkage Installations

Item	Part Number	Description	Qty.	Remark
1	00002059	Bolt GB/T 5783 M12 × 30	1	
2	93000017	Spring Washer Φ12.4	1	
3	00002464	8902-12085 Pin, Lock	1	
4	00010246	895-40235 Pin, Pivot	1	
5	00000830	Screw GB/T 70.3 M6×16	16	
6	50011741	Cover	4	
7	50011740	Pin, Pivot	1	
8	50011739	Pin, Pivot	1	
9	93300128	8813-404540 Sleeve Bearing	6	
10	50011067	Linkage	1	
11	50011005	Linkage	1	

3-43 Rotate Cylinder Assembly Installations

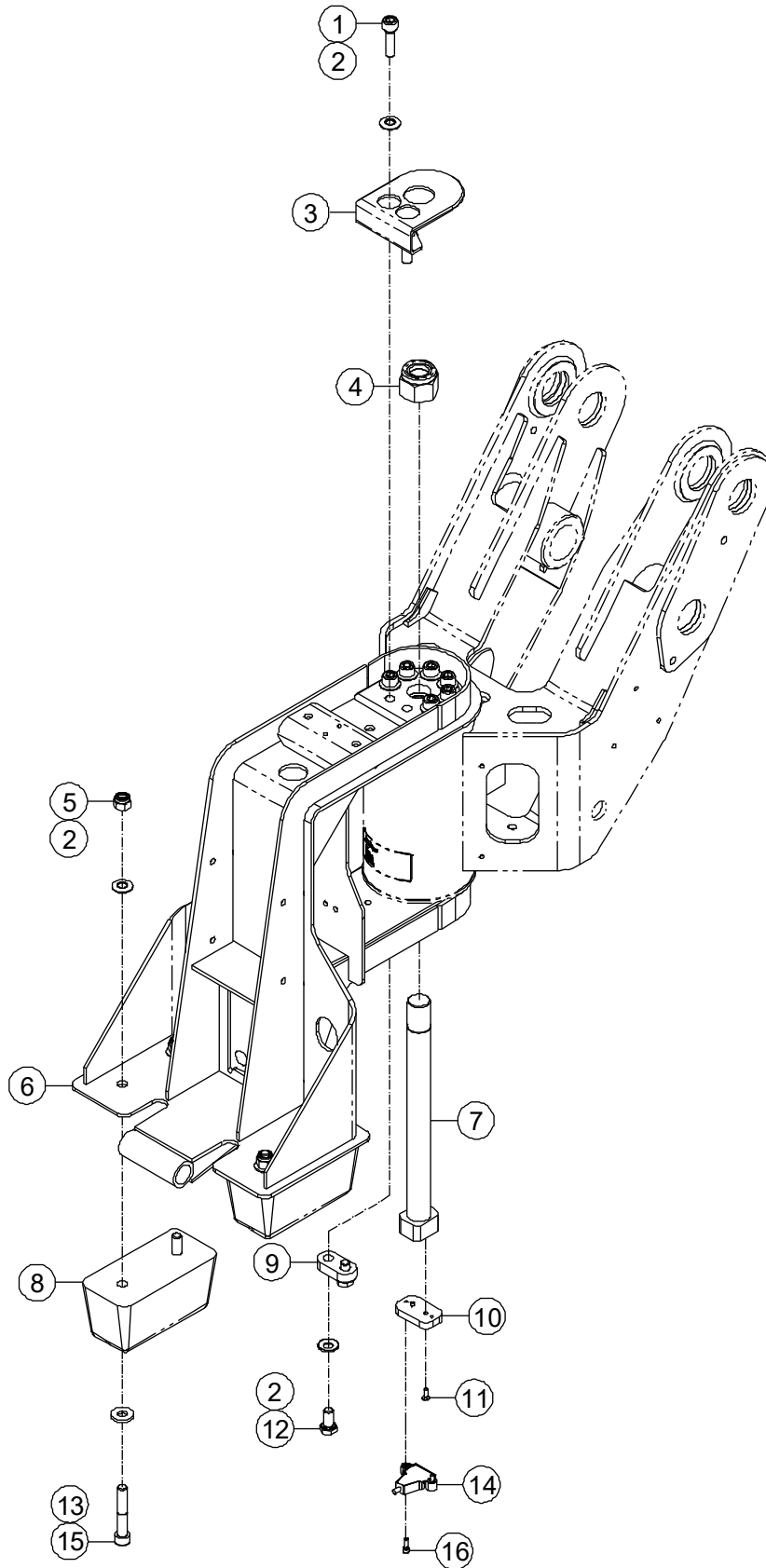


3-43 Rotate Cylinder Assembly Installations

Item	Part Number	Description	Qty.	Remark
1	93000016	Spring Washer Φ 10.2	4	
2	00000678	Bolt GB/T 5783 M10 \times 25	4	
3	00000220	8902-10080 Pin, Lock	4	
4	00012234	897-40303 Pin, Pivot	1	
5	93000014	Spring Washer Φ 6.1	10	
6	00000774	Screw GB/T 70 M6 \times 20	6	
7	00008914	Angle sensor	2	
8	00000876	Screw GB/T 70 M6 \times 16	4	
9	50011718	Bracket	1	
10	00012264	Rotate Cylinder Assembly	1	
11	00001054	Screw GB/T 70 M4 \times 12	2	
12	93300156	Actuator for magnetic angle sensors	1	
13	93300721	Bracket	1	
14	93300722	Housing	1	
15	93000015	Spring Washer Φ 8.2	4	
16	00002604	Bolt GB/T 5783 M8 \times 40	2	
17	00001163	Nut GB/T 6182 M8	2	
18	00012226	895-40081 Pin, Pivot	2	
19	93300128	8813-404540 Sleeve Bearing	2	

Section 4 Platform

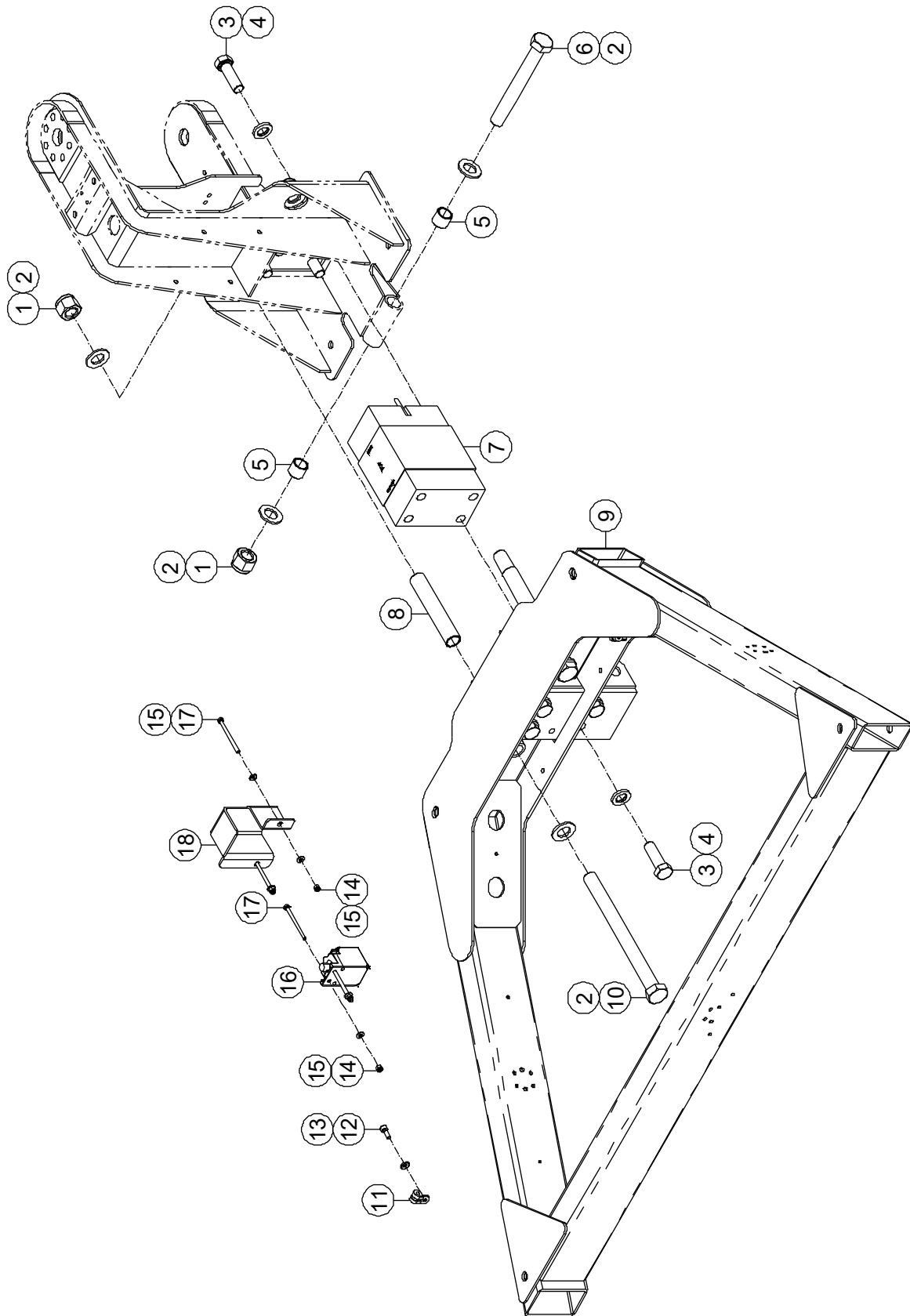
4-1 Rotate Cylinder Assembly And Support Installations



4-1 Rotate Cylinder Assembly And Support Installations

Item	Part Number	Description	Qty.	Remark
1	00002238	Screw GB/T 70 M10 × 35	8	
2	93000016	Spring Washer Φ10.2	14	
3	93300948	Housing	1	
4	00005262	Nut GB/T 6182 M24	1	
5	00000623	Nut GB/T 6182 M10	4	
6	93200128	Support	1	
7	93300704	Pin, Pivot	1	
8	10000041	Plate, Rubber	2	
9	93300705	Plate	1	
10	93300711	Bracket	1	
11	00000806	Screw GB/T 70.3 M4×12	2	
12	00000674	Bolt GB/T 5783 M10 × 20	2	
13	92100049	Washer	4	
14	93300021	Angle Sensor	1	
15	00000614	Screw GB/T 70 M10 × 60	4	
16	00001054	Screw GB/T 70 M4 × 12	2	

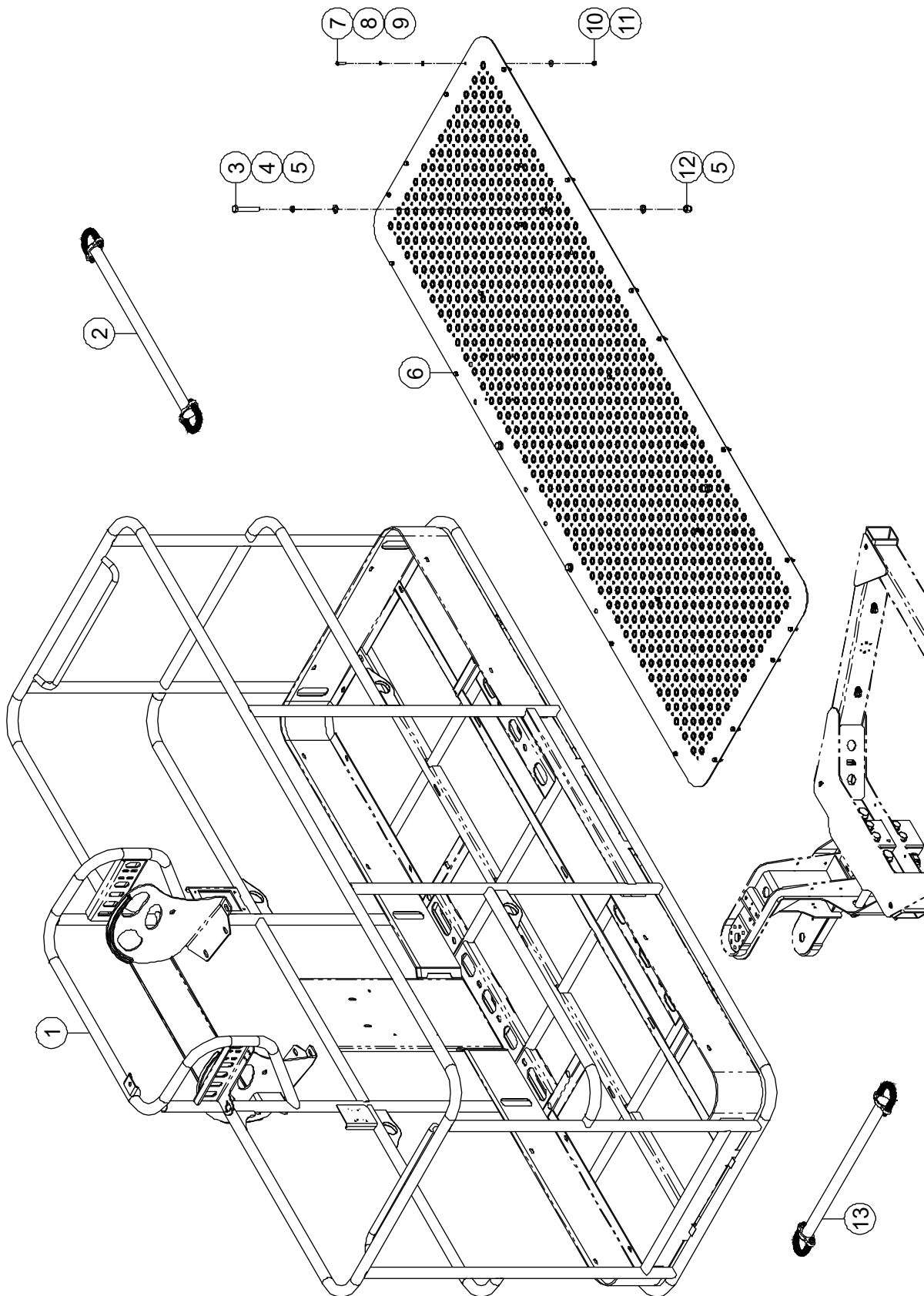
4-2 Support Installations



4-2 Support Installations

Item	Part Number	Description	Qty.	Remark
1	00001051	Nut GB/T 6182 M20	3	
2	00001050	Flat Washer GB/T 97.1 20	6	
3	00009822	Bolt GB/T 5786 M16×1.5 × 50	8	
4	00001102	Flat Washer 16 JB/ZQ 4080-2006	8	
5	93300950	Spacer	2	
6	00004486	Bolt GB/T 5782 M20 × 160	1	
7	93000253	Load Sensor	1	
8	93300937	Spacer	2	
9	93200129	Support	1	
10	00009823	Bolt GB/T 5782 M20 × 240	2	
11	93000291	Clamp	5	
12	00000876	Screw GB/T 70 M6 × 16	5	
13	93000014	Spring Washer Φ6.1	5	
14	00000613	Nut GB/T 6182 M5	4	
15	93000013	Spring Washer Φ5.1	6	
16	93300022	Ultrasonic Sensor	1	
17	00009824	Bolt GB/T 5783 M5 × 65	4	
18	93000614	Housing	1	

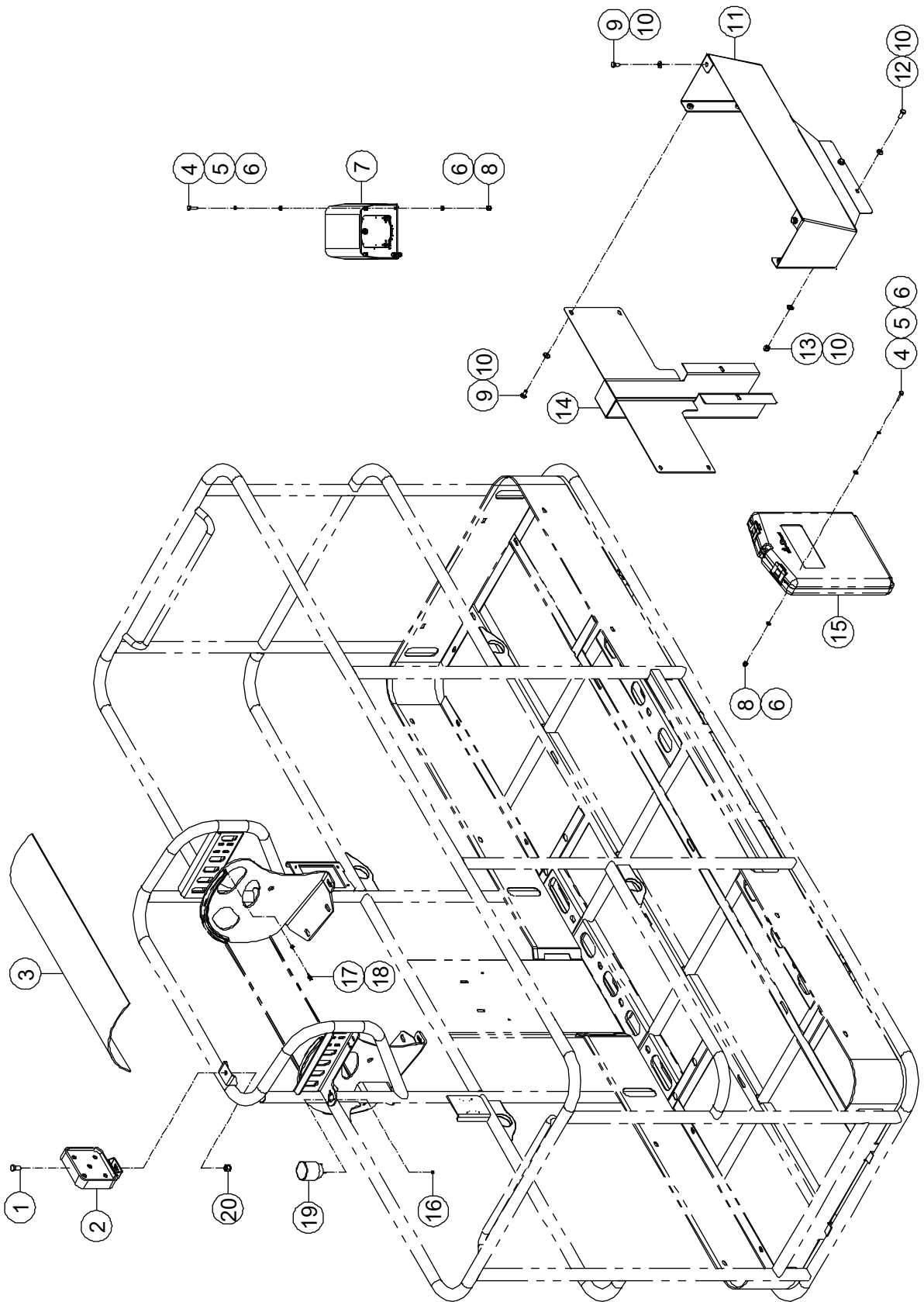
4-3 Platform Installations



4-3 Platform Installations

Item	Part Number	Description	Qty.	Remark
1	50010330	Platform	1	
2		Gate Assembly <i>(Refer to 4-5)</i>	1	
3	00002527	Bolt GB/T 5782 M12 × 80	4	
4	00000815	Spring Washer GB/T 93 12	4	
5	00000814	Flat Washer GB/T 97.1 12	8	
6	92102446	Deck Plate	1	
7	00000619	Bolt GB/T 5783 M6 × 25	24	
8	00000621	Spring Washer GB/T 93 6	24	
9	00000620	Flat Washer GB/T 97.1 6	24	
10	00001033	Nut GB/T 6182 M6	24	
11	00002583	Flat Washer GB/T 96.1 6	24	
12	00001249	Nut GB/T 6182 M12	4	
13		Gate Assembly <i>(Refer to 4-6)</i>	1	

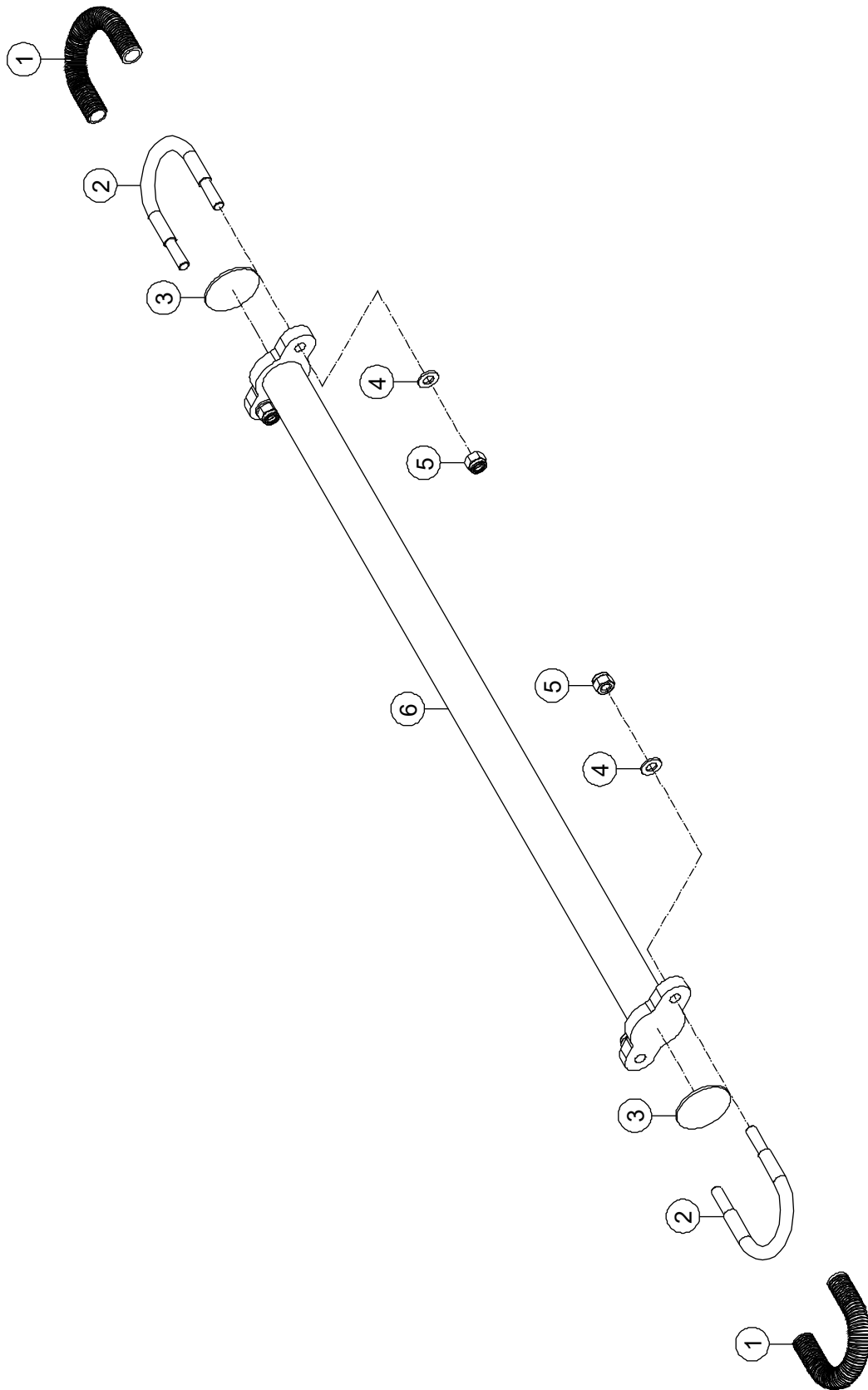
4-4 Platform Assembly



4-4 Platform Assembly

Item	Part Number	Description	Qty.	Remark
1	00000674	Bolt GB/T 5783 M10 × 20	1	
2	00006753	Head Light	1	
3	92000228	Shield, Plastic	1	
4	00000619	Bolt GB/T 5783 M6 × 25	8	
5	00000621	Spring Washer GB/T 93 6	8	
6	00000620	Flat Washer GB/T 97.1 6	16	
7	00005212	Footswitch	1	
8	00001033	Nut GB/T 6182 M6	8	
9	00001063	Bolt GB/T 5783 M8 × 16	6	
10	93000015	Spring Washer Φ8.2	10	
11	93200385	Housing	1	
12	00000875	Bolt GB/T 5783 M8 × 20	2	
13	00001163	Nut GB/T 6182 M8	2	
14	93000799	Housing	1	
15	50000555	Box, Manual	1	
16	00003700	Nut GB/T 889.1 M3	3	
17	00001030	Screw GB/T 70 M5 × 10	2	
18	00000688	Nut GB/T 6170 M5	2	
19	00005190	Beacon	1	
20	00000623	Nut GB/T 6182 M10	1	

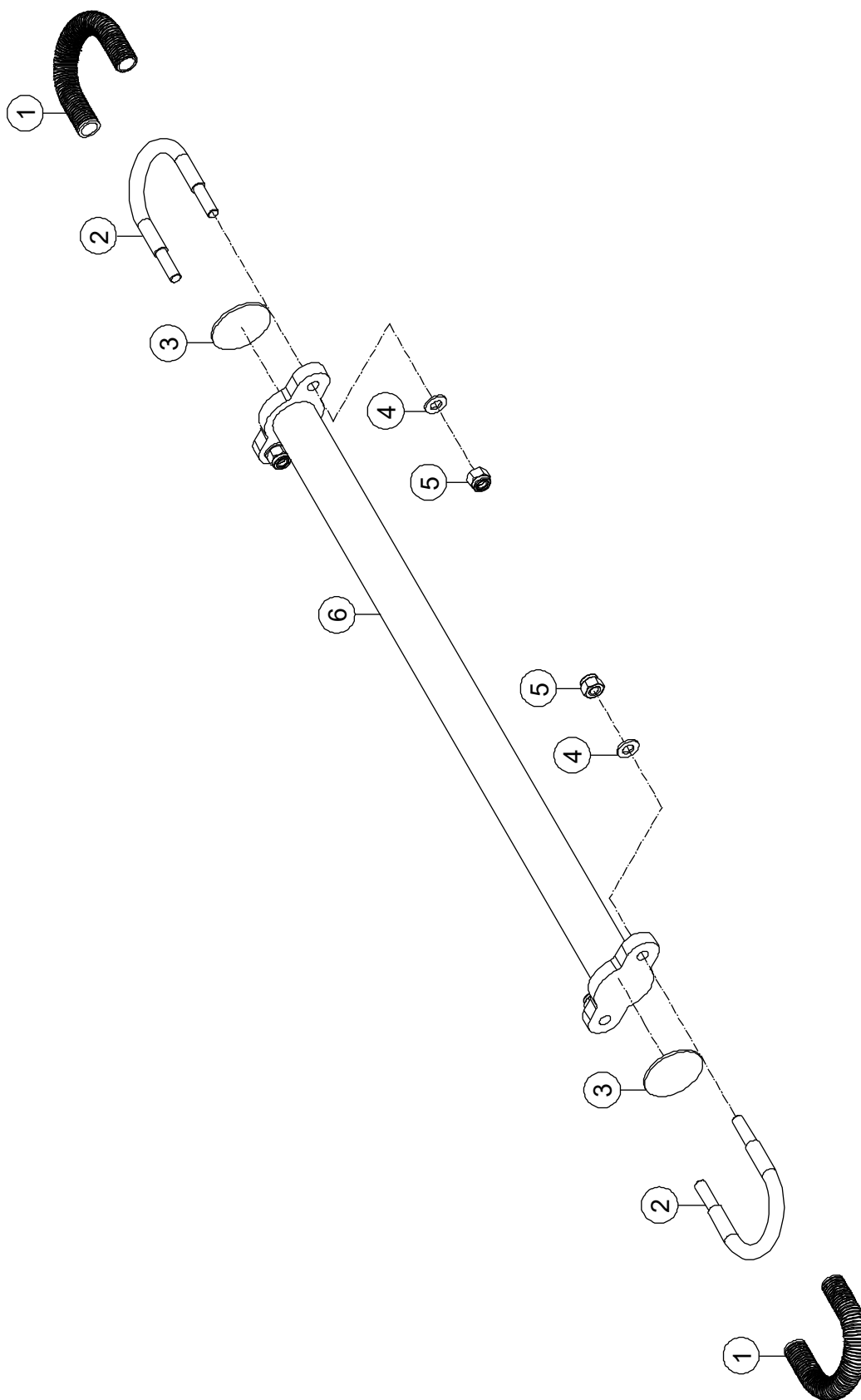
4-5 Gate Assembly



4-5 Gate Assembly

Item	Part Number	Description	Qty.	Remark
1	92100232	Jacket	2	
2	92100228	Clamp	2	
3	92100249	Anti-Scratch	2	
4	00000608	Flat Washer GB/T 97.1 8	4	
5	00001163	Nut GB/T 6182 M8	4	
6	50005448	Gate, Lift	1	

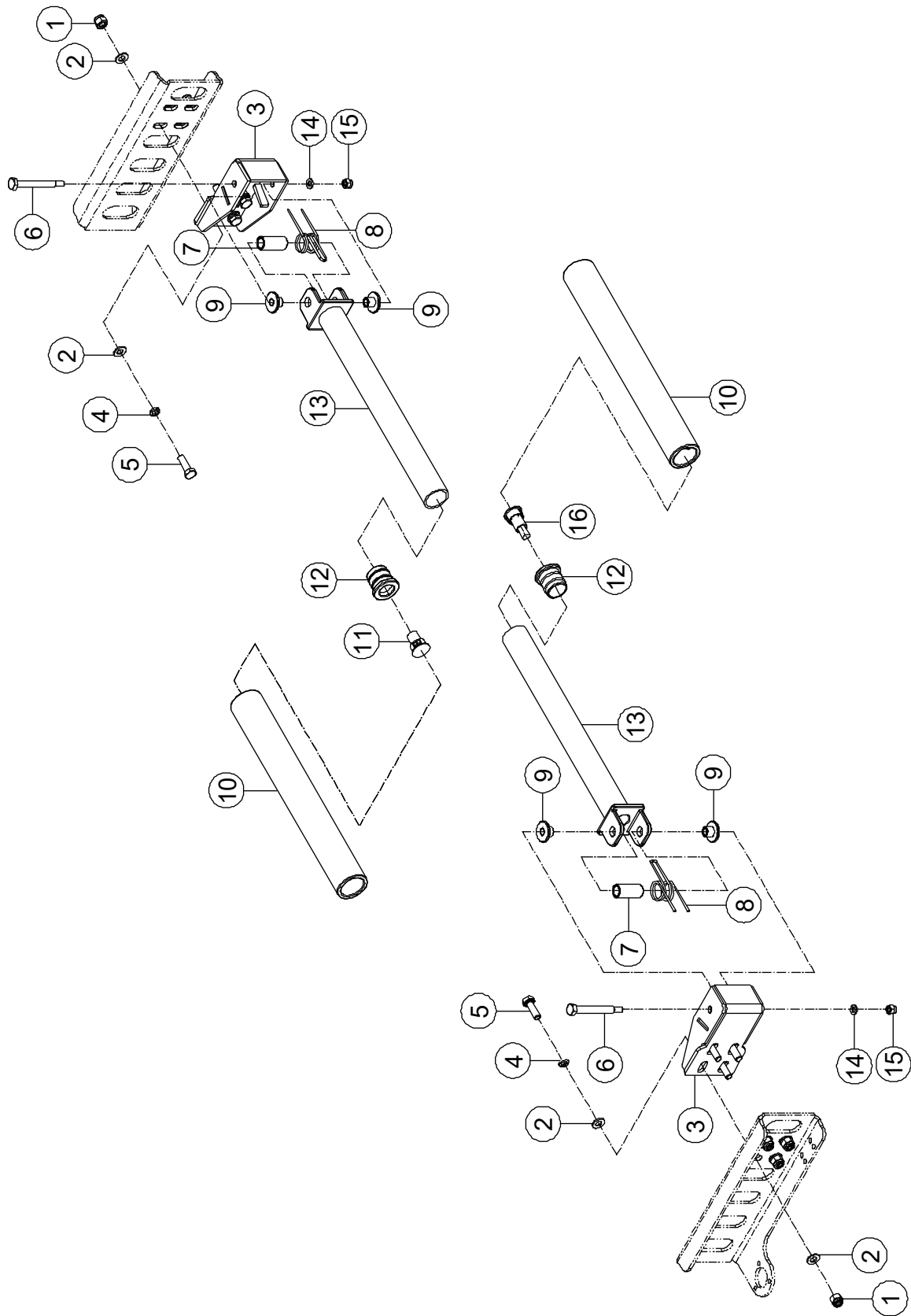
4-6 Gate Assembly



4-6 Gate Assembly

Item	Part Number	Description	Qty.	Remark
1	92100232	Jacket	2	
2	92100228	Clamp	2	
3	92100249	Anti-Scratch	2	
4	00000608	Flat Washer GB/T 97.1 8	4	
5	00001163	Nut GB/T 6182 M8	4	
6	92100229	Gate, Lift	1	

4-7 Lift Guard Contact Alarm

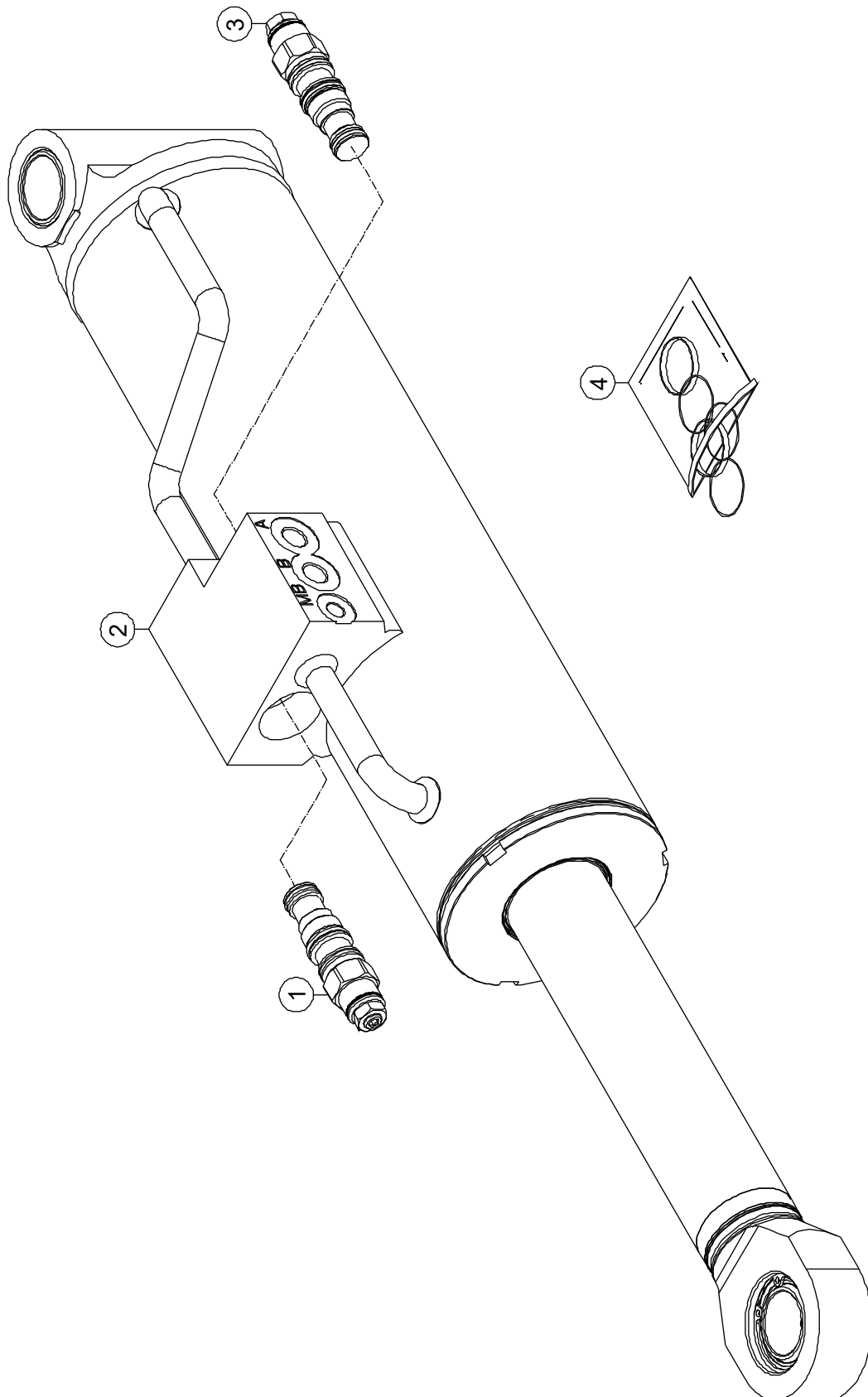


4-7 Lift Guard Contact Alarm

Item	Part Number	Description	Qty.	Remark
1	00001163	Nut GB/T 6182 M8	8	
2	00000608	Flat Washer GB/T 97.1 8	16	
3	92000231	Bracket, Contact Alarm	2	
4	00000609	Spring Washer GB/T 93 8	8	
5	00000993	Bolt GB/T 5783 M8 × 25	8	
6	92000239	Pin	2	
7	92000238	Tube	2	
8	92000237	Spring	2	
9	92000236	JDBB-1013 Bearing	4	
10	92000253	Jacket, Foam	2	
11	00006226	Magnet	1	
12	92000243	Plug, Nylon	2	
13	92000240	Tube, Contact Alarm	2	
14	00000620	Flat Washer GB/T 97.1 6	2	
15	00001033	Nut GB/T 6182 M6	2	
16	00006225	Door Magnetic Switch	1	

Section 5 Cylinder

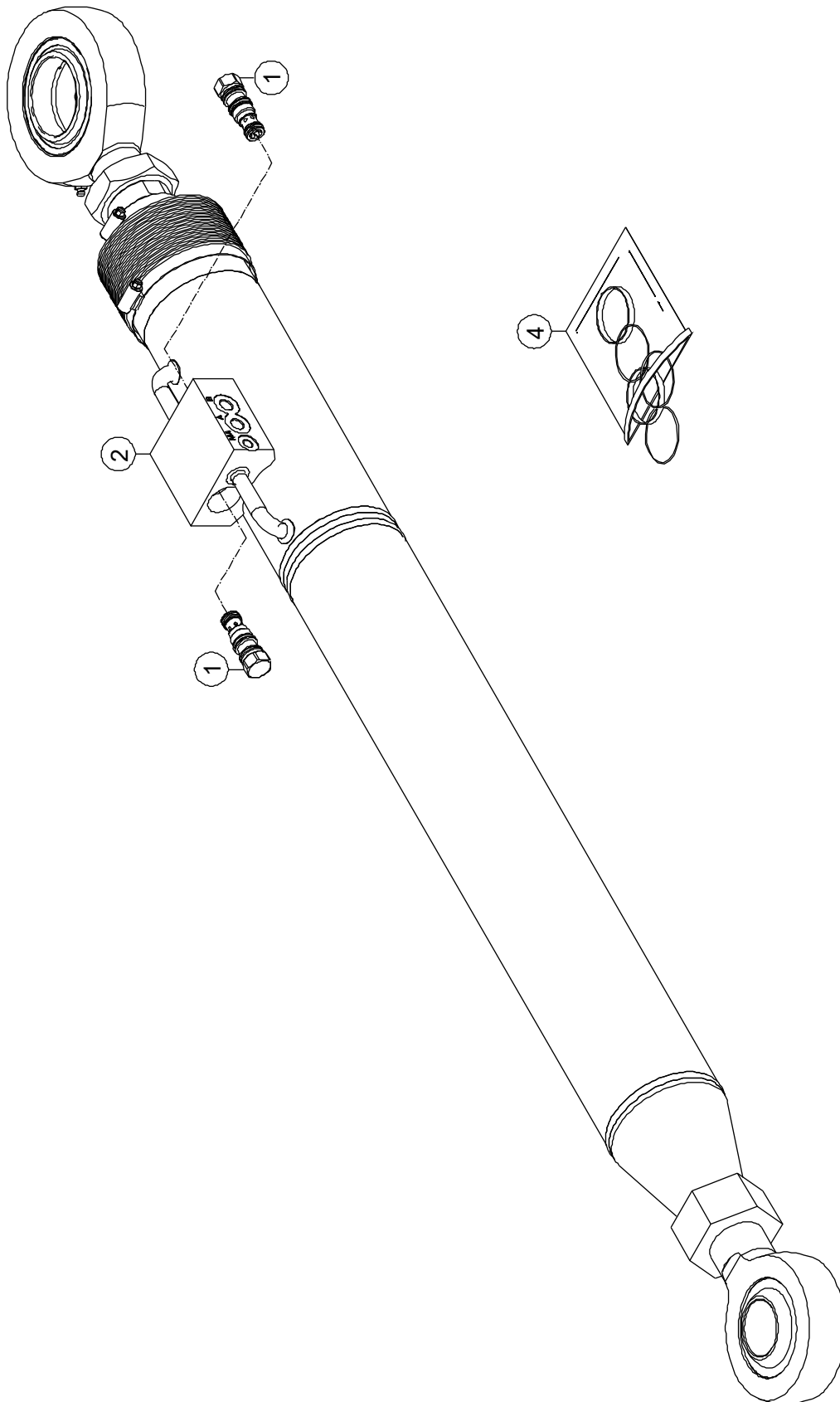
5-1 Steer Cylinder Assembly



5-1 Steer Cylinder Assembly

Item	Part Number	Description	Qty.	Remark
1	93000459	Cartridge, Valve (Counterbalance)	1	
2	93200539	Steer Cylinder Assembly	1	
3	93000143	Cartridge, Valve (Counterbalance)	1	
4	93000617	Seal Kit 100/50	1	

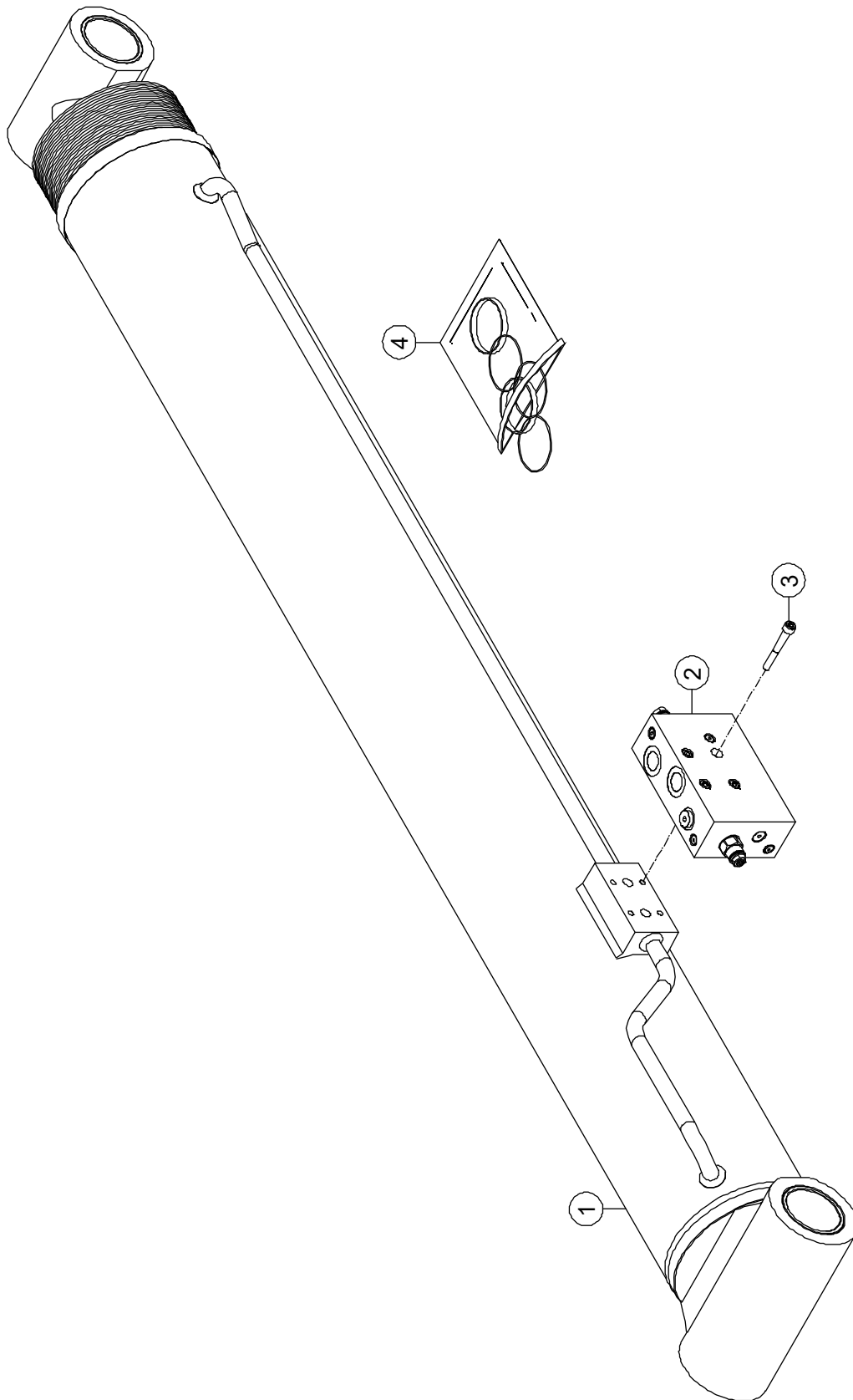
5-2 Axle Extend Cylinder Assembly



5-2 Axle Extend Cylinder Assembly

Item	Part Number	Description	Qty.	Remark
1	93000133	Check Valve	2	
2	93200031	Axle Extend Cylinder Assembly	1	
3	93000620	Seal Kit 100/60	1	

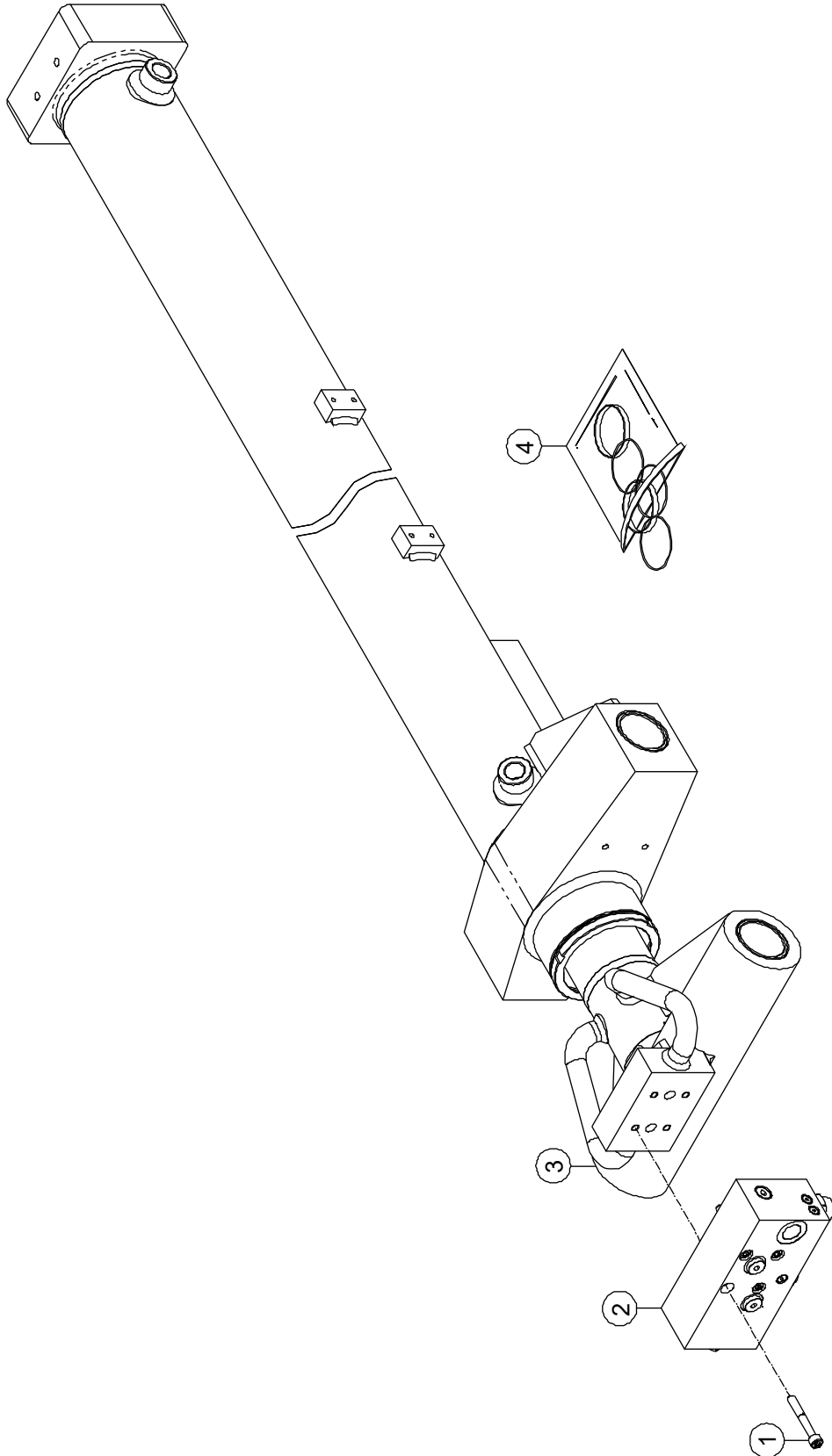
5-3 Tower Lifting Cylinder Assembly



5-3 Tower Lifting Cylinder Assembly

Item	Part Number	Description	Qty.	Remark
1	50010821	Tower Lifting Cylinder Assembly	1	
2	00012265	Counterbalance Valve (<i>Tower Lifting</i>) (Refer to 5-12)	1	
3	00006415	Screw GB/T 70 M8 × 60	4	
4	50010827	Seal Kit 165/90	1	

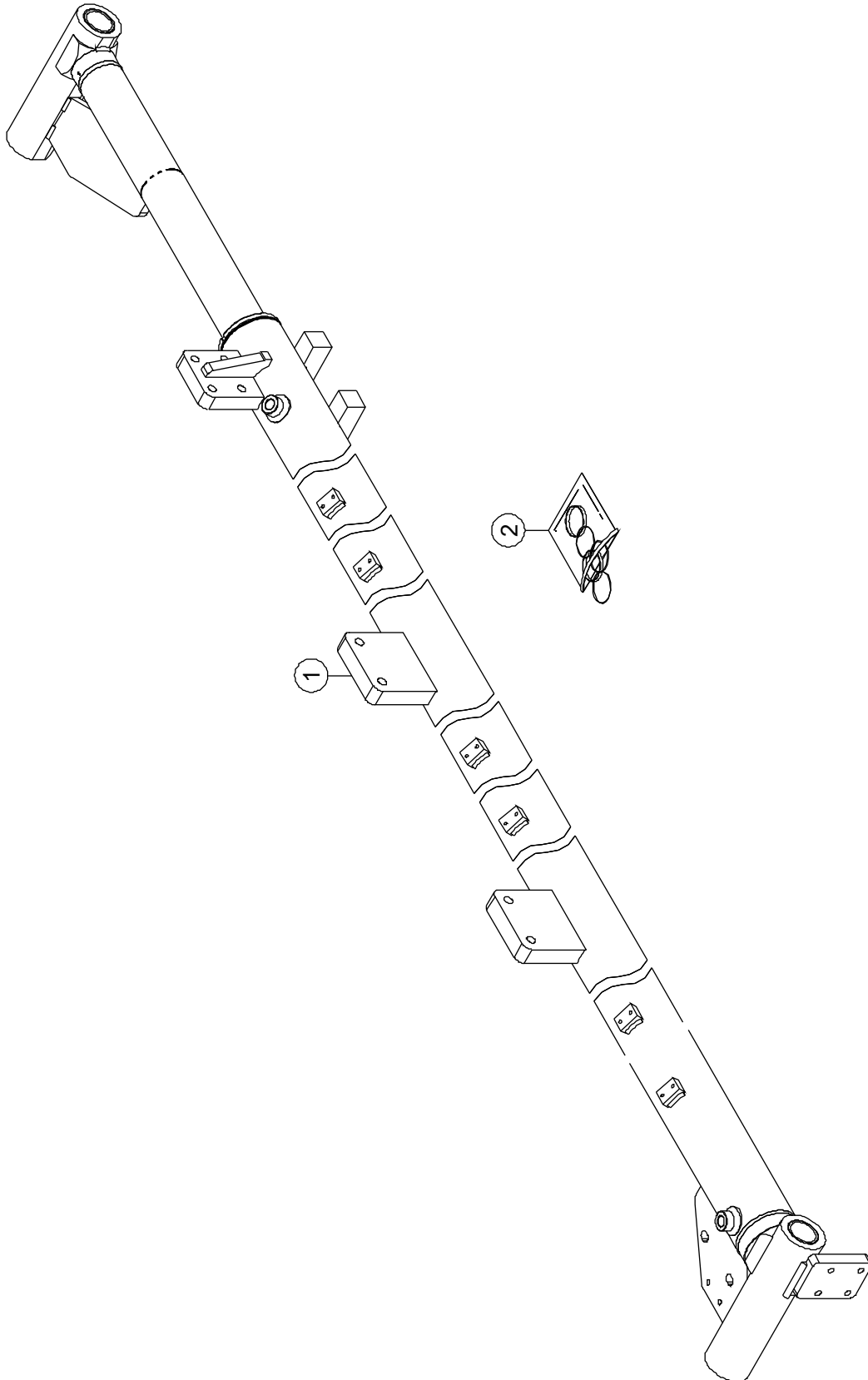
5-4 Tower First Stage Telescopic Cylinder Assembly (BA44RT, BA41RT)



5-4 Tower First Stage Telescopic Cylinder Assembly (BA44RT, BA41RT)

Item	Part Number	Description	Qty.	Remark
1	00004103	Screw GB/T 70 M8 × 65	4	
2	00012266	Counterbalance Valve (Tower Telescopic) (Refer to 5-13)	1	
3	50010854	Tower First Stage Telescopic Cylinder Assembly	1	
4	50011752	Seal Kit 105/85	1	

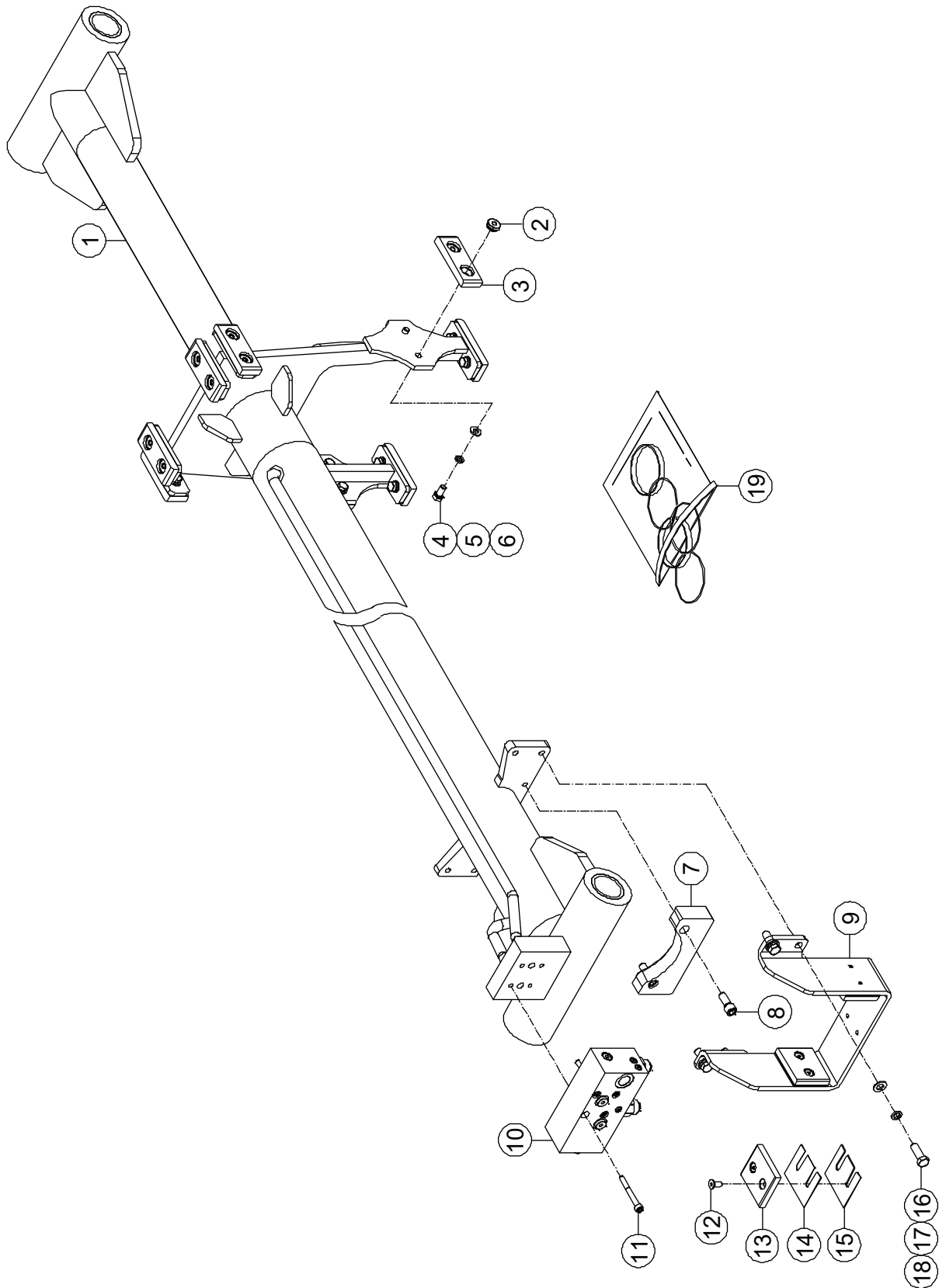
5-5 Tower Second Stage Telescopic Cylinder Assembly (BA44RT, BA41RT)



5-5 Tower Second Stage Telescopic Cylinder Assembly (BA44RT, BA41RT)

Item	Part Number	Description	Qty.	Remark
1	50010851	Tower Second Stage Telescopic Cylinder Assembly	1	
2	50011753	Seal Kit 105/85	1	

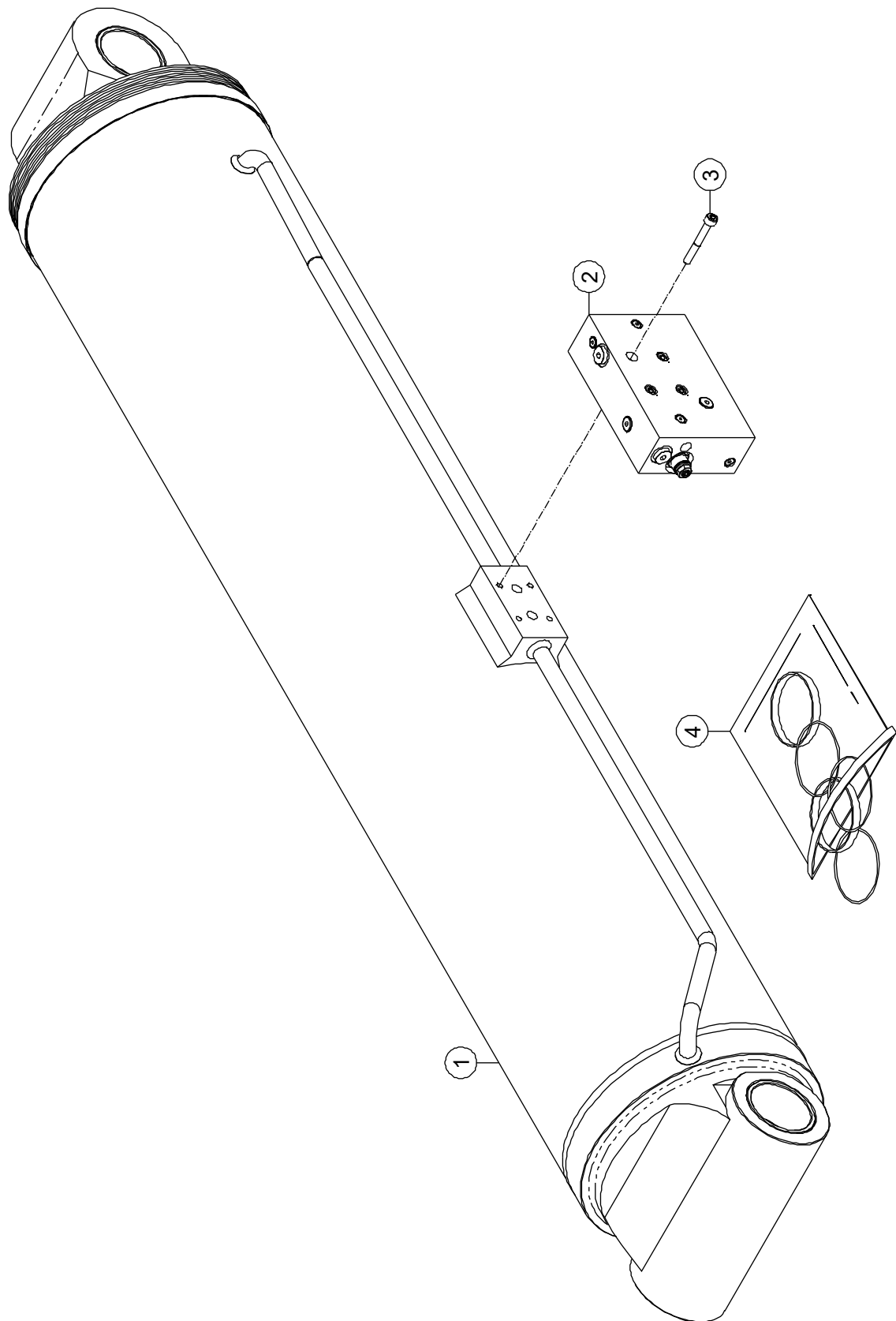
5-6 Tower Telescopic Cylinder Assembly (BA36RT)



5-6 Tower Telescopic Cylinder Assembly (BA36RT)

Item	Part Number	Description	Qty.	Remark
1	50011500	Tower Telescopic Cylinder Assembly	1	
2	92000139	Insert	16	
3	92000194	Sliding Block	8	
4	00000674	Bolt GB/T 5783 M10 × 20	16	
5	00000679	Spring Washer GB/T 93 10	16	
6	00000615	Flat Washer GB/T 97.1 10	16	
7	50011513	Sliding Block	1	
8	00008960	Screw GB/T 70 M12 × 30	2	
9	50011499	Bracket	1	
10	00012266	Counterbalance Valve (Tower Telescopic) (Refer to 5-13)	1	
11	00003135	Screw GB/T 70 M8 × 70	4	
12	00000765	Screw GB/T 70.3 M8×20	6	
13	92048393	Sliding Block	3	
14	92048401	Shim	3	
15	92048402	Shim	3	
16	00005014	Bolt GB/T 5786 M12×1.5 × 35	4	
17	00000815	Spring Washer GB/T 93 12	4	
18	00000814	Flat Washer GB/T 97.1 12	4	
19	50011556	Seal Kit 105/85	1	

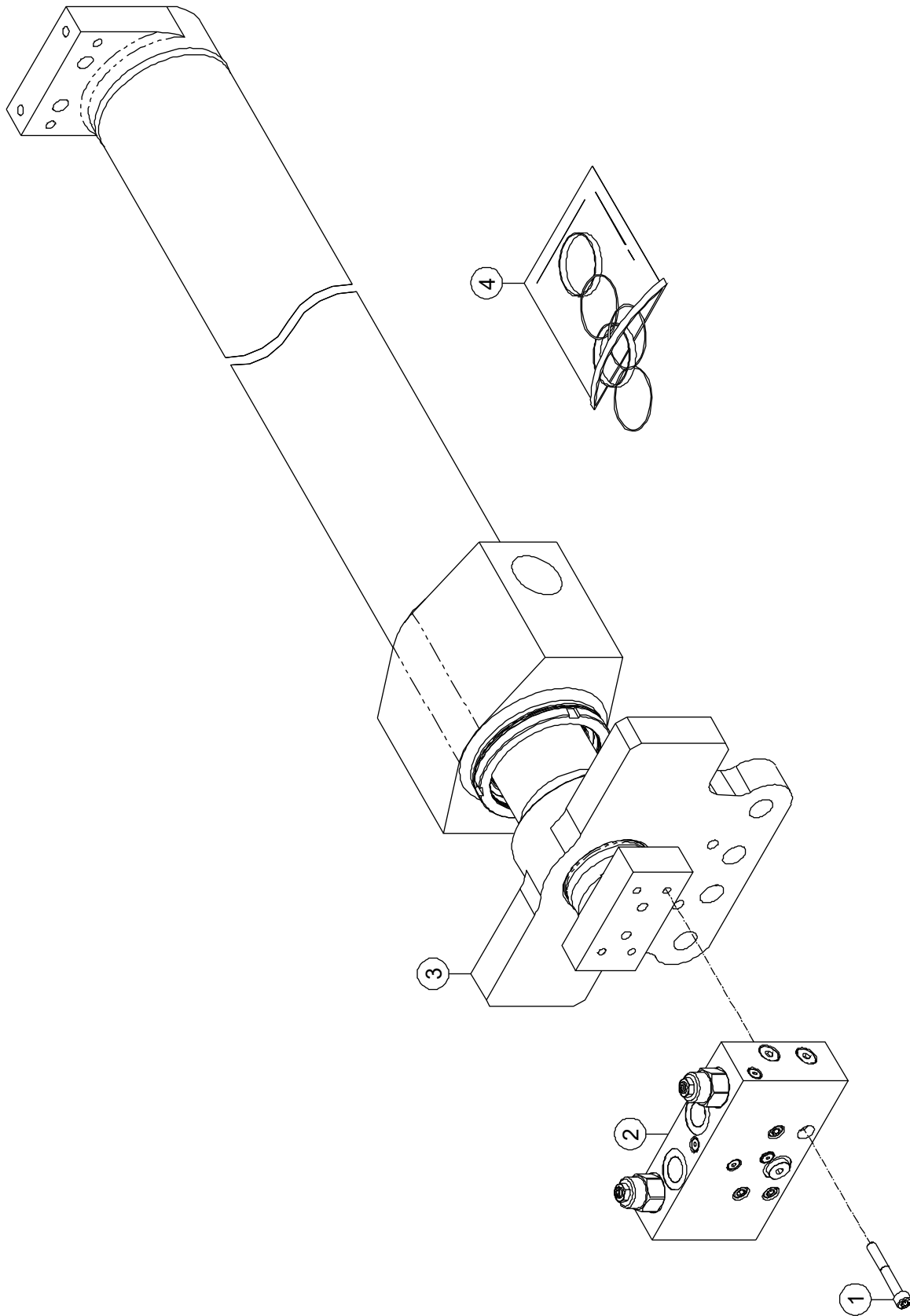
5-7 Main Lifting Cylinder Assembly



5-7 Main Lifting Cylinder Assembly

Item	Part Number	Description	Qty.	Remark
1	50010845	Main Lifting Cylinder Assembly	1	
2	00012267	Counterbalance Valve (Main Lifting) (<i>Refer to 5-14</i>)	1	
3	00006415	Screw GB/T 70 M8 × 60	4	
4	00012646	O-Ring	2	
5	50010844	Seal Kit 260/135	1	

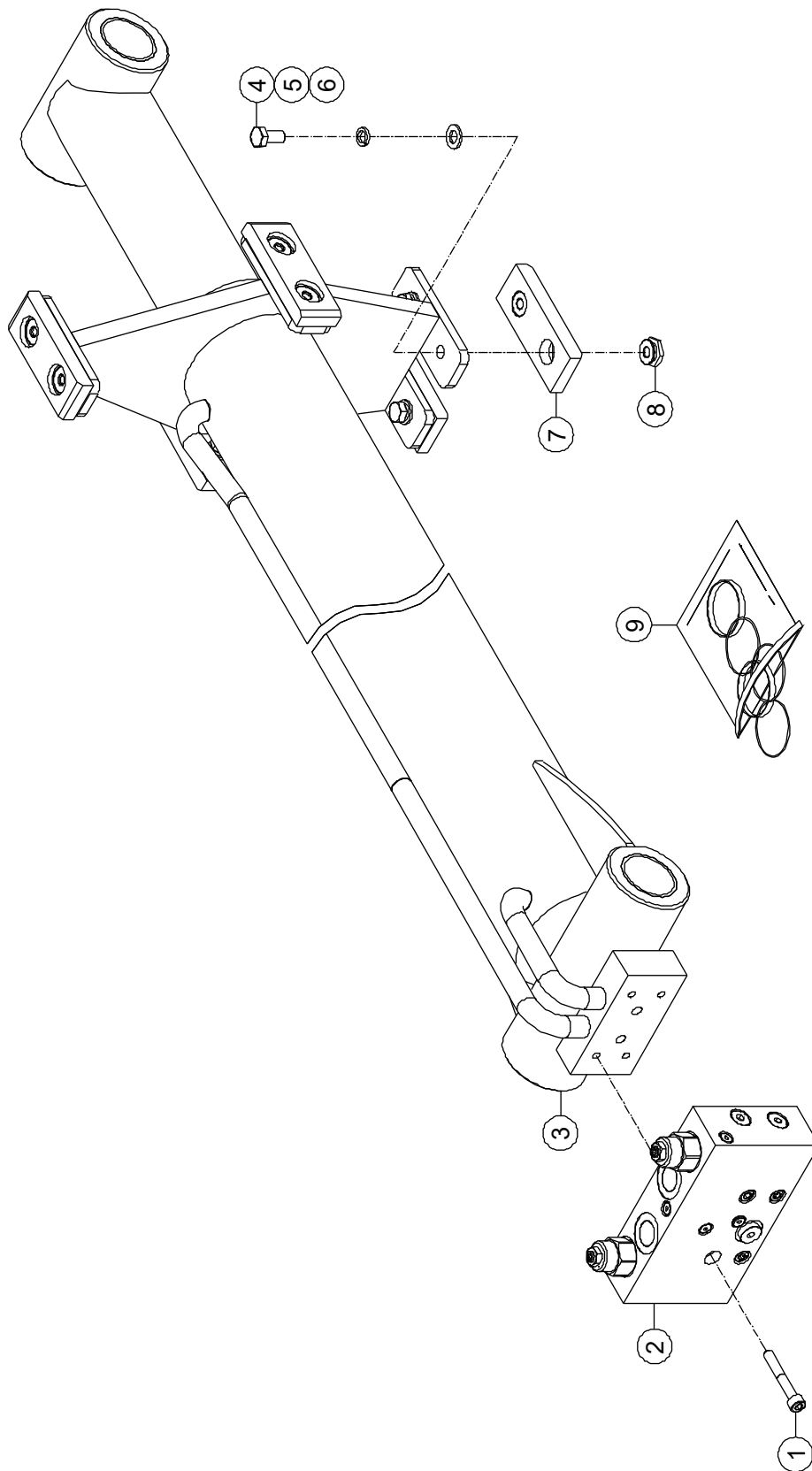
5-8 Main Telescopic Cylinder Assembly (BA44RT)



5-8 Main Telescopic Cylinder Assembly (BA44RT)

Item	Part Number	Description	Qty.	Remark
1	00002558	Screw GB/T 70 M8 × 50	4	
2	00012268	Counterbalance Valve (Main Telescopic) (Refer to 5-15)	1	
3	50010857	Main Telescopic Cylinder Assembly	1	
4	50011754	Seal Kit 105/85	1	

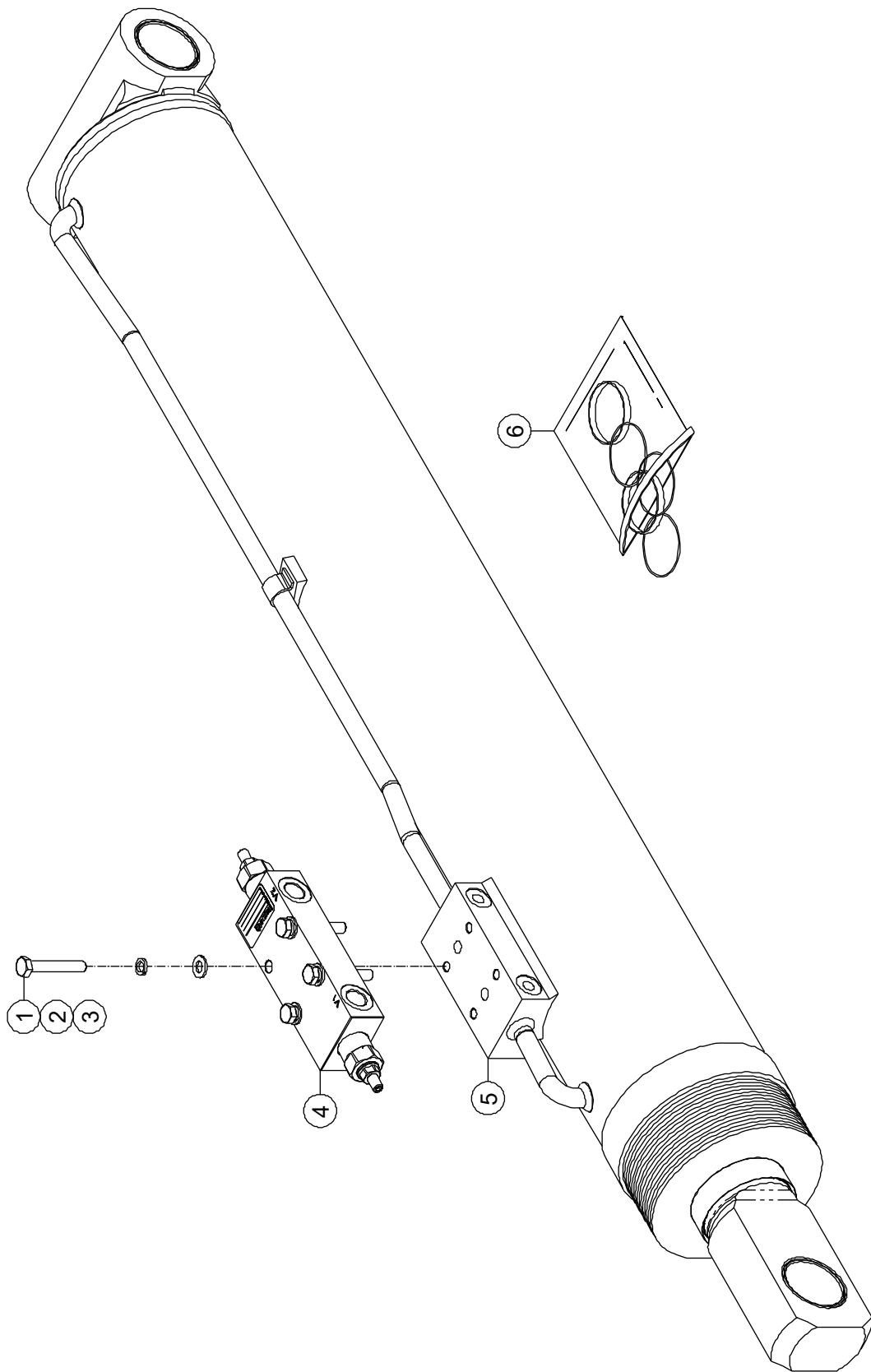
5-9 Main Telescopic Cylinder Assembly (BA41RT, BA36RT)



5-9 Main Telescopic Cylinder Assembly (BA41RT, BA36RT)

Item	Part Number	Description	Qty.	Remark
1	00003136	Screw GB/T 70 M8 × 55	4	
2	00012268	Counterbalance Valve (Main Telescopic) (Refer to 5-15)	1	
3	50011488	Main Telescopic Cylinder Assembly	1	BA41RT
	50011516	Main Telescopic Cylinder Assembly	1	BA36RT
4	00000674	Bolt GB/T 5783 M10 × 20	10	
5	00000679	Spring Washer GB/T 93 10	10	
6	00000615	Flat Washer GB/T 97.1 10	10	
7	92000194	Sliding Block	5	
8	92000139	Insert	10	
9	50011555	Seal Kit 100/85	1	BA41RT
	50011557	Seal Kit 95/75	1	BA36RT

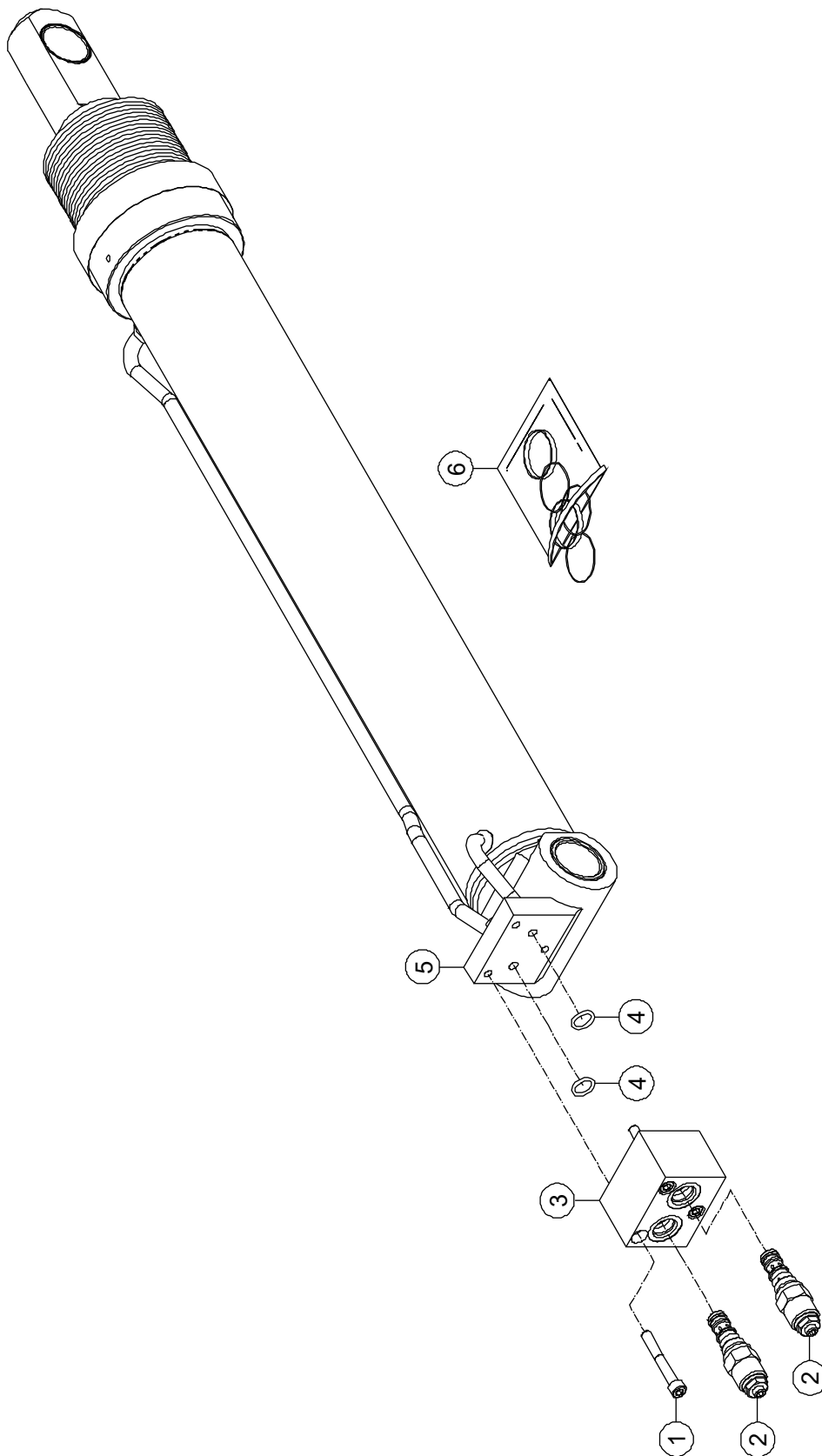
5-10 JIB Lifting Cylinder Assembly



5-10 JIB Lifting Cylinder Assembly

Item	Part Number	Description	Qty.	Remark
1	00003607	Bolt GB/T 5783 M8 × 50	4	
2	00000609	Spring Washer GB/T 93 8	4	
3	00000608	Flat Washer GB/T 97.1 8	4	
4	00012963	Valve	1	
5	50010836	JIB Lifting Cylinder Assembly	1	
6	50010835	Seal Kit 120/70	1	

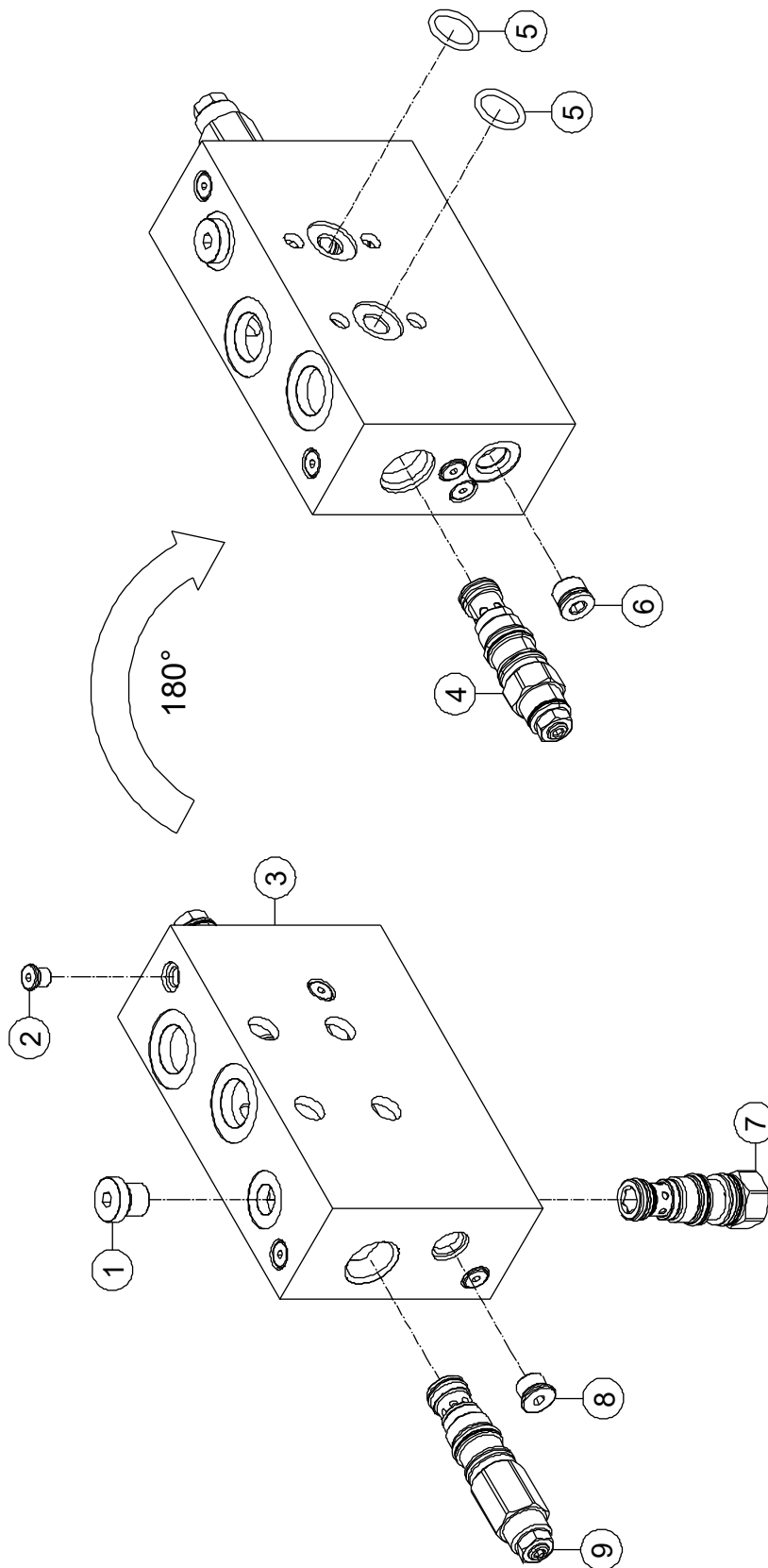
5-11 Leveling Cylinder Assembly



5-11 Leveling Cylinder Assembly

Item	Part Number	Description	Qty.	Remark
1	00006415	Screw GB/T 70 M8 × 60	3	
2	00004031	Cartridge, Valve (Counterbalance)	2	
3	00004030	Body	1	
4	00001709	O-Ring	2	
5	50010818	Leveling Cylinder Assembly	1	
6	50010817	Seal Kit 90/60	1	

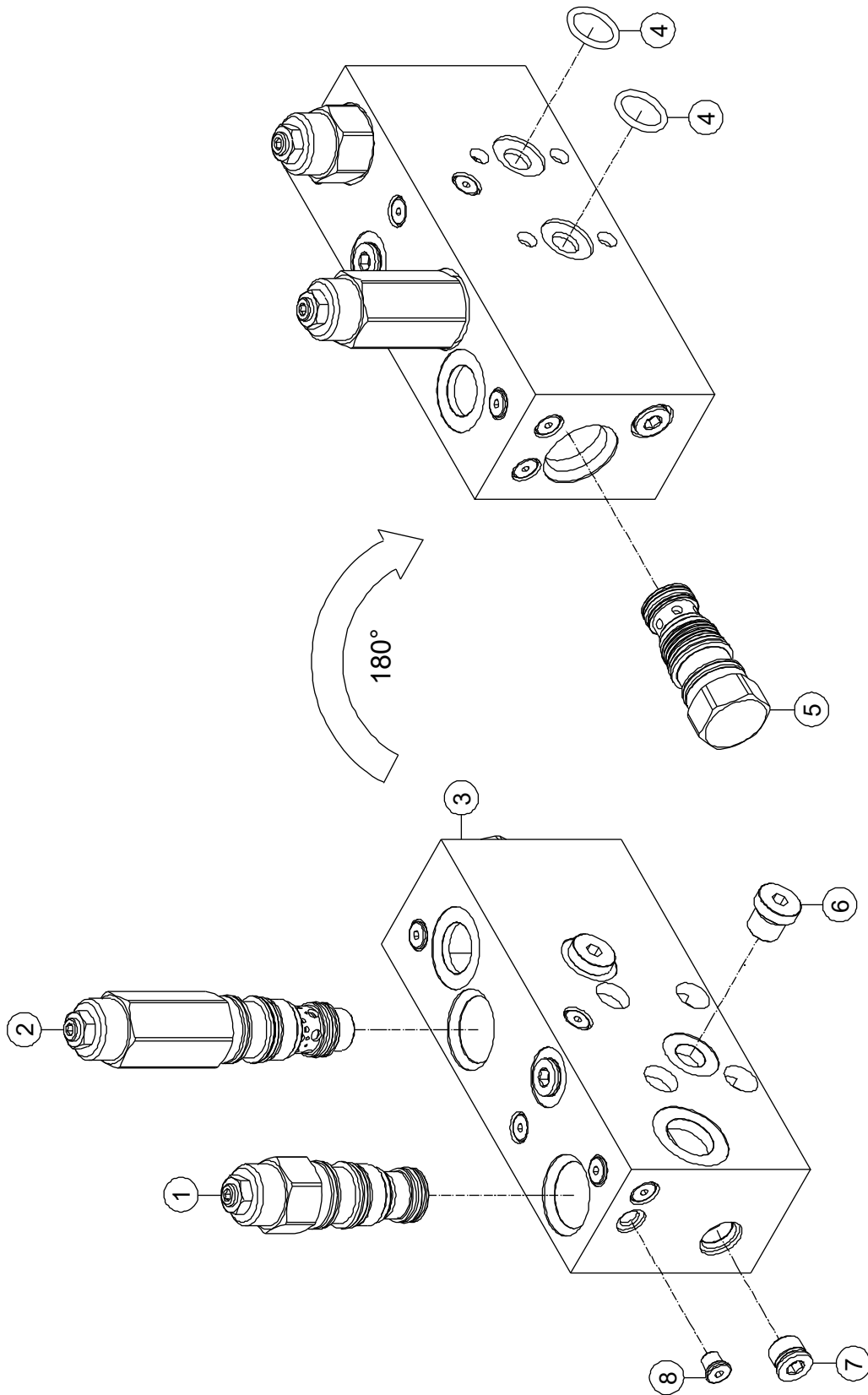
5-12 Counterbalance Valve (Tower Lifting)



5-12 Counterbalance Valve (Tower Lifting)

Item	Part Number	Description	Qty.	Remark
1	00001111	Plug	2	
2	00012648	Plug	8	
3	00012642	Body	1	
4	00012641	Cartridge, Valve (Counterbalance)	1	
5	00012646	O-Ring	2	
6	00004343	Plug	1	
7	00009339	Check Valve	1	
8	00012647	Plug	1	
9	00012640	Cartridge, Valve (Counterbalance)	1	

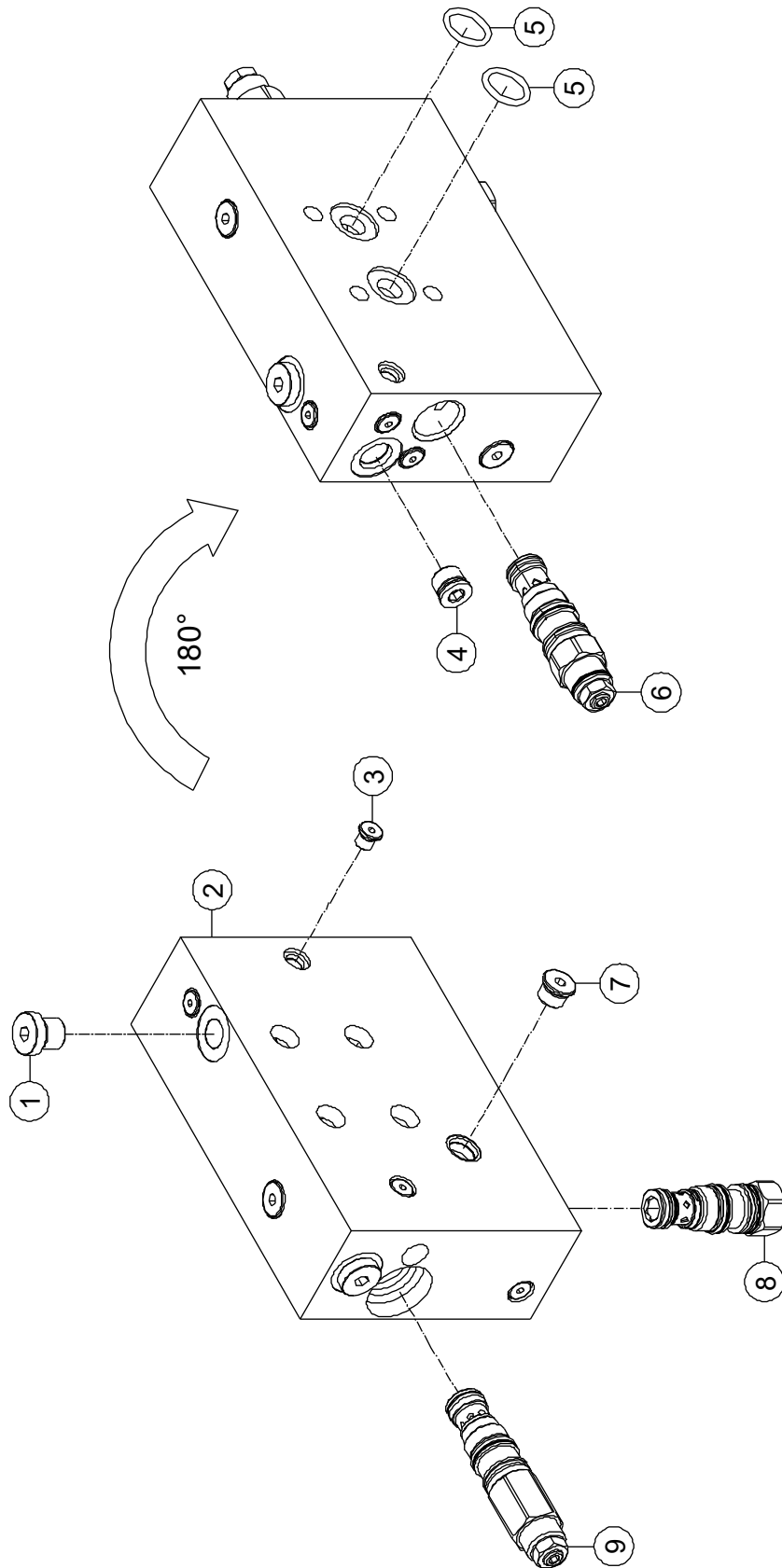
5-13 Counterbalance Valve (Tower Telescopic)



5-13 Counterbalance Valve (Tower Telescopic)

Item	Part Number	Description	Qty.	Remark
1	00012637	Cartridge, Valve (Counterbalance)	1	
2	00012636	Cartridge, Valve (Counterbalance)	1	
3	00012638	Body	1	
4	00012646	O-Ring	2	
5	00012635	Check Valve	1	
6	00001111	Plug	2	
7	00004343	Plug	3	
8	00012648	Plug	9	

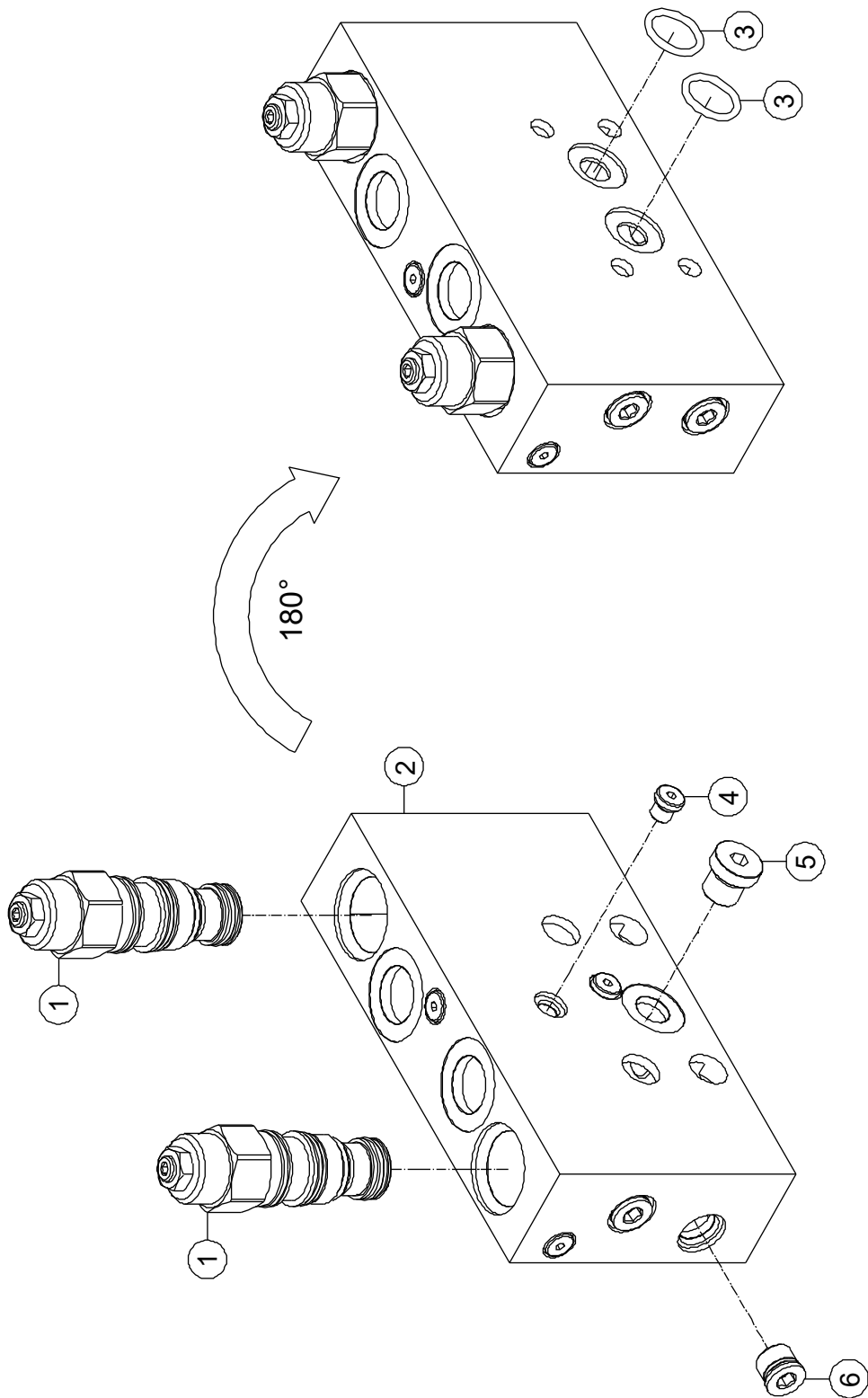
5-14 Counterbalance Valve (Main Lifting)



5-14 Counterbalance Valve (Main Lifting)

Item	Part Number	Description	Qty.	Remark
1	00001111	Plug	2	
2	00012633	Body	1	
3	00012648	Plug	10	
4	00004343	Plug	1	
5	00012646	O-Ring	2	
6	00012641	Cartridge, Valve (Counterbalance)	1	
7	00012647	Plug	3	
8	00009339	Check Valve	1	
9	00012631	Cartridge, Valve (Counterbalance)	1	

5-15 Counterbalance Valve (Main Telescopic)

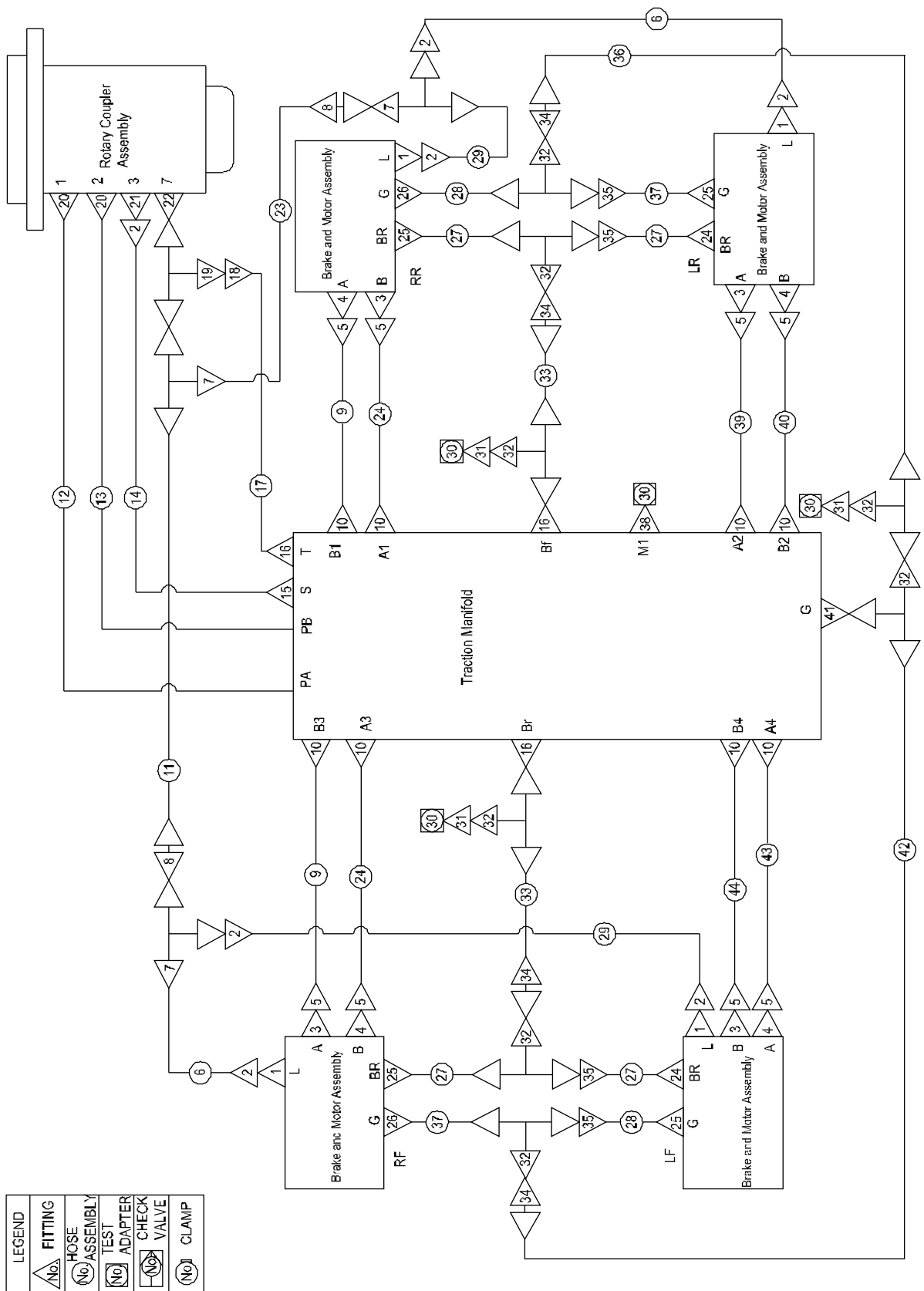


5-15 Counterbalance Valve (Main Telescopic)

Item	Part Number	Description	Qty.	Remark
1	00012538	Cartridge, Valve (Counterbalance)	2	
2	00012630	Body	1	
3	00012646	O-Ring	2	
4	00002999	Plug	5	
5	00001111	Plug	1	
6	00004343	Plug	5	

Section 6 Hydraulic System

6-1 Chassis Circuit 1



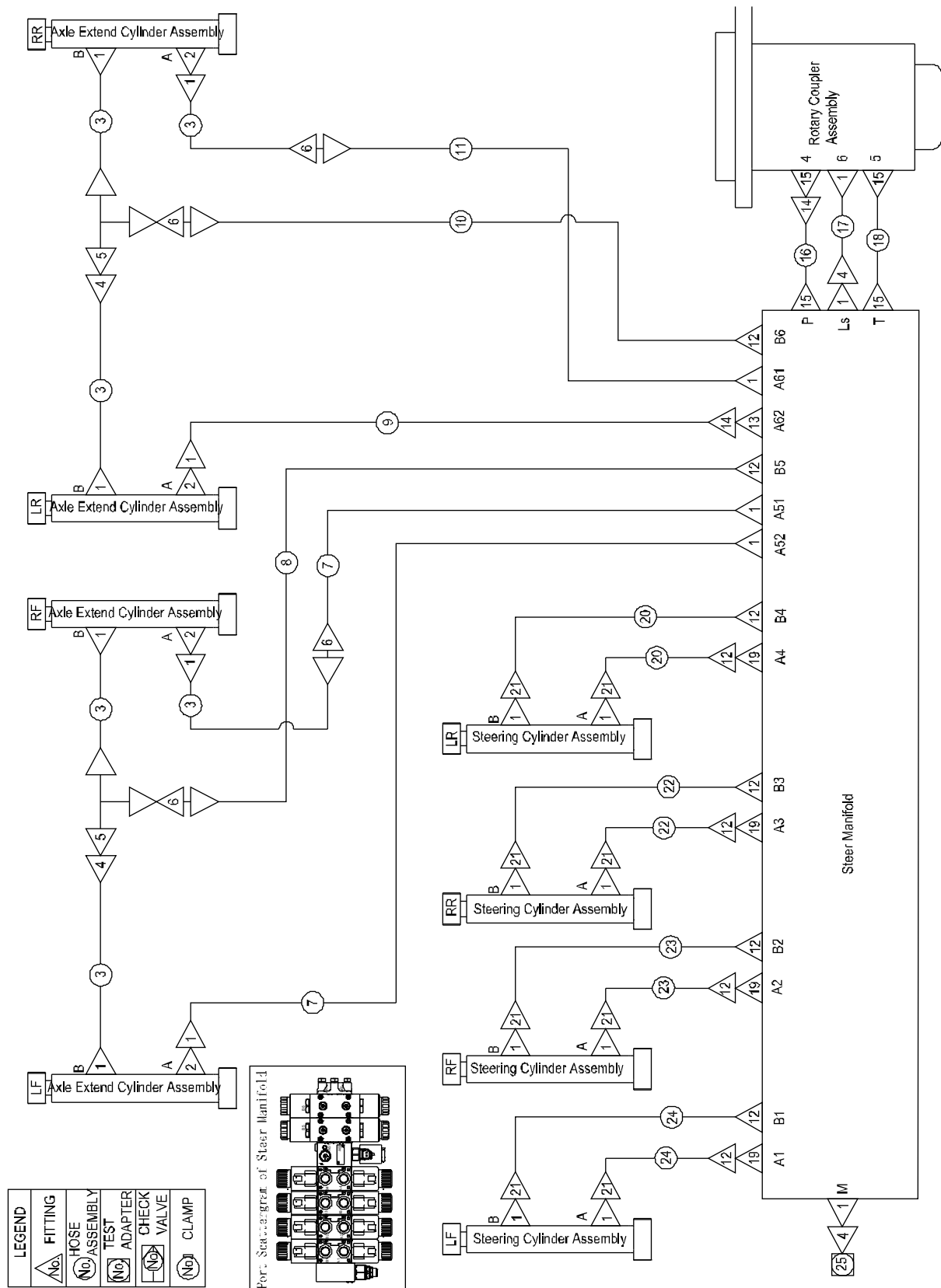
6-1 Chassis Circuit 1

Item	Part Number	Description	Qty.	Remark
1	00001776	Fitting, Straight	4	
2	00001835	Fitting, 90°	7	
3	00001006	Fitting, Customize	4	
4	00002073	Fitting, Straight	4	
5	00001841	Fitting, 90°	8	
6	50008569	Hose Assembly	2	
7	00001240	Fitting, Tee	3	
8	00002138	Fitting, Straight, Bulkhead	2	
9	50008559	Hose Assembly	2	
10	00009833	Fitting, Flang	8	
--	00008672	SAE Flange Fitting FS-12	8	
--	93305786	Spring Washer Φ10.2	32	
--	00002238	Screw GB/T 70 M10 × 35	32	
11	50008500	Hose Assembly	1	
12	50008492	Hose Assembly	1	
--	00008672	SAE Flange Fitting FS-12	2	
--	93305786	Spring Washer Φ10.2	8	
--	00002238	Screw GB/T 70 M10 × 35	8	
13	50008493	Hose Assembly	1	
--	00008672	SAE Flange Fitting FS-12	2	
--	93305786	Spring Washer Φ10.2	8	
--	00002238	Screw GB/T 70 M10 × 35	8	
14	50008494	Hose Assembly	1	
15	00001264	Fitting, Straight	1	
16	00001271	Fitting, Straight	3	
17	50008498	Hose Assembly	1	
18	00005926	Fitting, Straight,Red	1	
19	00002121	Fitting, Tee	1	
20	00001747	Fitting, Straight	2	

6-1 Chassis Circuit 1 (Continued)

Item	Part Number	Description	Qty.	Remark
21	00001507	Fitting, Straight	1	
22	00001506	Fitting, Straight	1	
23	50008499	Hose Assembly	1	
24	50008558	Hose Assembly	2	
25	00010009	Fitting, Straight, Lengthening	4	
26	00010008	Fitting, Straight, Lengthening	4	
27	50008556	Hose Assembly	4	
28	50008553	Hose Assembly	2	
29	50008557	Hose Assembly	2	
30	93300854	Sensor	3	
31	00006016	Fitting, Straight, Pressure gauge	3	
32	000001237	Fitting, Tee	8	
33	50008555	Hose Assembly	3	
34	00002135	Fitting, Straight, Bulkhead	4	
35	00001832	Fitting, 90°	4	
36	50008552	Hose Assembly	1	
37	50008554	Hose Assembly	2	
38	92048451	Fitting, Customize	1	
39	50008560	Hose Assembly	1	
40	50008571	Hose Assembly	1	
41	00001769	Fitting, Straight	1	
42	50008551	Hose Assembly	1	
43	50008561	Hose Assembly	1	
44	50008570	Hose Assembly	1	

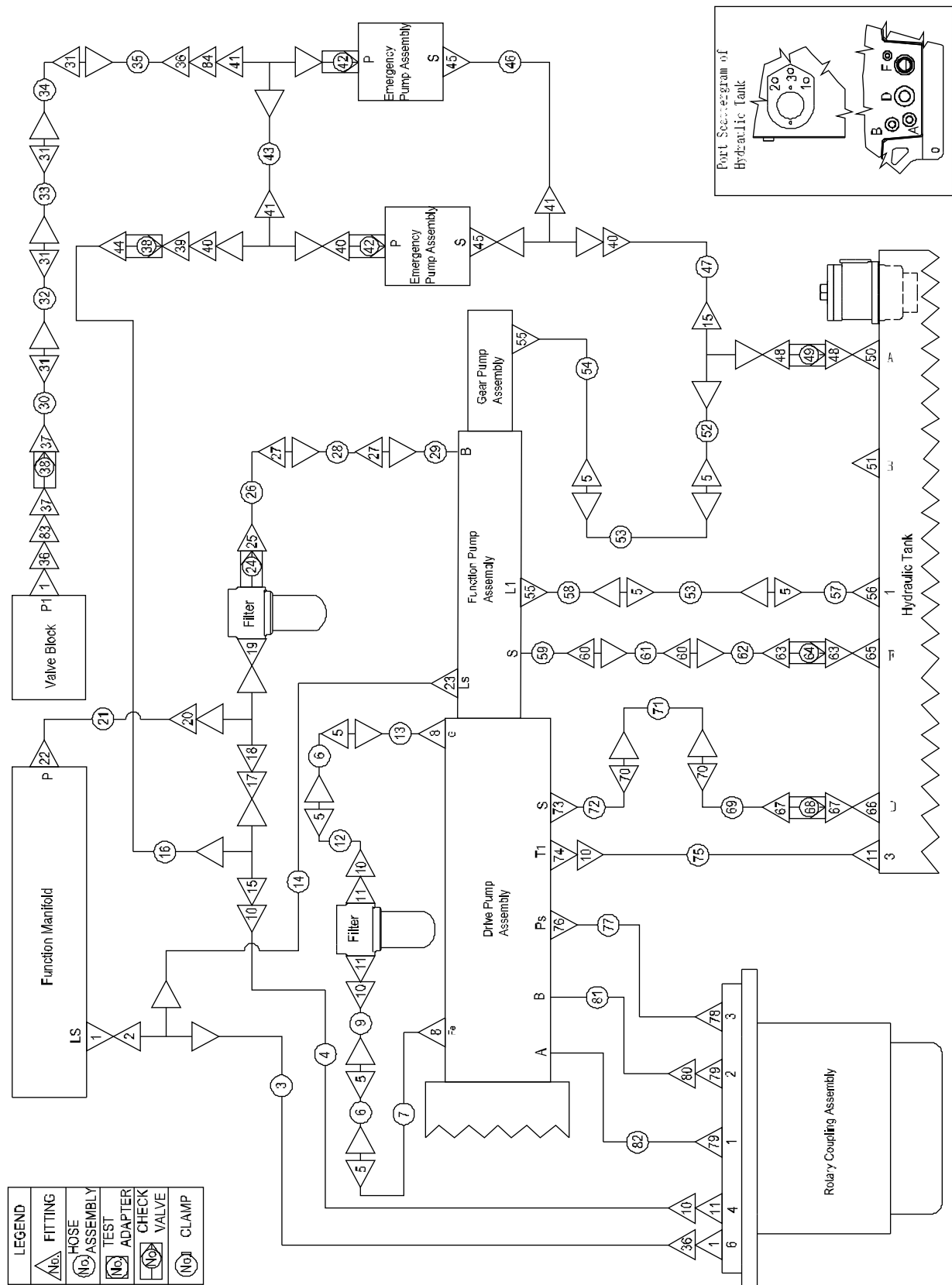
6-2 Chassis Circuit 2



6-2 Chassis Circuit 2

Item	Part Number	Description	Qty.	Remark
1	00001316	Fitting, Straight	22	
2	92048451	Fitting, Straight	4	
3	50008568	Hose Assembly	6	
4	00001832	Fitting, 90°	4	
5	00001237	Fitting, Tee	2	
6	00002135	Fitting, Straight, Bulkhead	4	
7	50008652	Hose Assembly	2	
8	93000863	Hose Assembly	1	
9	93000865	Hose Assembly	1	
10	93000864	Hose Assembly	1	
11	50008567	Hose Assembly	1	
12	00001315	Fitting, Straight	10	
13	00004904	Fitting, Straight	1	
14	00001835	Fitting, 90°	2	
15	00001506	Fitting, Straight	4	
16	50008495	Hose Assembly	1	
17	50008497	Hose Assembly	1	
18	50008496	Hose Assembly	1	
19	92048866	Fitting, Customize	4	
20	50008565	Hose Assembly	2	
21	00007779	Fitting, 45°	8	
22	50008564	Hose Assembly	2	
23	50008563	Hose Assembly	2	
24	50008562	Hose Assembly	2	
25	93300854	Sensor	1	

6-3 Turntable Circuit 1



6-3 Turntable Circuit 1

Item	Part Number	Description	Qty.	Remark
1	00001316	Fitting, Straight	3	
2	00001237	Fitting, Tee	1	
3	50008652	Hose Assembly	1	
4	50011189	Hose Assembly	1	
5	00002138	Fitting, Straight, Bulkhead	8	
6	50010448	Hose Assembly, Tube	2	
7	50011183	Hose Assembly	1	
8	00001264	Fitting, Straight	2	
9	50011184	Hose Assembly	1	
10	00001835	Fitting, 90°	5	
11	00001506	Fitting, Straight	4	
12	50011185	Hose Assembly	1	
13	50011186	Hose Assembly	1	
14	50006492	Hose Assembly	1	
15	00001240	Fitting, Tee	2	
16	50008520	Hose Assembly	1	
17	00009851	Fitting, Straight, Red	1	
18	00005916	Fitting, Tee, Red	1	
19	00005633	Fitting, Straight	1	
20	00001843	Fitting, 90°	1	
21	93000064	Hose Assembly, Tube	1	
22	00001753	Fitting, Straight	1	
23	00001769	Fitting, Straight	1	
24	93300786	Check Valve	1	
25	00001844	Fitting, 90°	1	
26	50011173	Hose Assembly	1	
27	00002148	Fitting, Straight, Bulkhead	2	
28	50010450	Hose Assembly, Tube	1	
29	50011172	Hose Assembly	1	

6-3 Turntable Circuit 1 (Continued)

Item	Part Number	Description	Qty.	Remark
--	00008472	SAE Flange Fitting FL-16	1	
--	93305786	Spring Washer Φ 10.2	4	
--	00001059	Screw GB/T 70 M10 \times 30	4	
30	50011264	Hose Assembly	1	
31	00002135	Fitting, Straight, Bulkhead	4	
32	50011256	Hose Assembly	1	BA44RT
	50011796	Hose Assembly	1	BA41RT
	50011811	Hose Assembly	1	BA36RT
33	50011103	Hose Assembly, Tube	1	BA44RT BA41RT
	50011537	Hose Assembly, Tube	1	BA36RT
34	50011217	Hose Assembly	1	BA44RT BA41RT
	50011806	Hose Assembly	1	BA36RT
35	50011207	Hose Assembly	1	
36	00001832	Fitting, 90°	3	
37	00001315	Fitting, Straight	2	
38	90003092	Check Valve	2	
39	00003088	Fitting, Straight	1	
40	00001834	Fitting, 90°	3	
41	00001239	Fitting, Tee	3	
42	93300770	Check Valve	2	
43	93200292	Hose Assembly, Tube	1	
44	00001501	Fitting, Straight	1	
45	00006048	Fitting, Banjo	2	
46	93200293	Hose Assembly, Tube	1	
47	50011191	Hose Assembly	1	
48	00010727	Fitting, Straight	2	
49	93200059	Valve, Ball	1	
50	00005615	Fitting, Straight	1	

6-3 Turntable Circuit 1 (Continued)

Item	Part Number	Description	Qty.	Remark
51	00001114	Plug	1	
52	50011179	Hose Assembly	1	
53	50010448	Hose Assembly, Tube	2	
54	50011178	Hose Assembly	1	
55	00001776	Fitting, Straight	3	
56	00001506	Fitting, Straight	1	
57	50011187	Hose Assembly	1	
58	50011701	Hose Assembly	1	
59	50011170	Hose Assembly	1	
--	00006588	SAE Flange Fitting FL-24	1	
--	93305787	Spring Washer $\Phi 12.4$	4	
--	00006425	Screw GB/T 70 M12 \times 35	4	
60	00002139	Fitting, Straight, Bulkhead	2	
61	50010449	Hose Assembly, Tube	1	
62	50011171	Hose Assembly	1	
63	00010726	Fitting, Straight	2	
64	93200061	Valve, Ball	1	
65	00005621	Fitting, Straight	1	
66	00005619	Fitting, Straight	1	
67	00010725	Fitting, Straight	2	
68	93200060	Valve, Ball	1	
69	50011177	Hose Assembly	1	
70	00002142	Fitting, Straight, Bulkhead	2	
71	50010451	Hose Assembly, Tube	1	
72	50011176	Hose Assembly	1	
73	00002071	Fitting, Straight	1	
74	00001266	Fitting, Straight	1	
75	50011702	Hose Assembly	1	
76	00001261	Fitting, Straight	1	

6-3 Turntable Circuit 1 (Continued)

Item	Part Number	Description	Qty.	Remark
77	50011188	Hose Assembly	1	
78	00001507	Fitting, Straight	1	
79	00001747	Fitting, Straight	2	
80	00001842	Fitting, 90°	1	
81	50011175	Hose Assembly	1	
--	00008672	SAE Flange Fitting FS-12	1	
--	93305786	Spring Washer $\Phi 10.2$	4	
--	00002238	Screw GB/T 70 M10 \times 35	4	
82	50011174	Hose Assembly	1	
--	00008672	SAE Flange Fitting FS-12	1	
--	93305786	Spring Washer $\Phi 10.2$	4	
--	00002238	Screw GB/T 70 M10 \times 35	4	
83	00005208	Fitting, Straight	1	
84	00005923	Fitting, Straight	1	

6-4 Turntable Circuit 2

Item	Part Number	Description	Qty.	Remark
1	00001501	Fitting, Straight	2	
2	00001834	Fitting, 90°	2	
3	50011181	Hose Assembly	1	
4	50011182	Hose Assembly	1	
5	00002137	Fitting, Straight, Bulkhead	2	
6	50010447	Hose Assembly, Tube	1	
7	50011180	Hose Assembly	1	
8	00001773	Fitting, Straight	1	
9	00006556	Fitting, Straight	1	
10	00001266	Fitting, Straight	2	
11	50011208	Hose Assembly	1	
12	00003088	Fitting, Straight	1	
13	00001504	Fitting, Straight	2	
14	00001239	Fitting, Tee	1	
15	00006018	Fitting, Pressure Gauge Connector	1	
16	93300854	Sensor, Pressure Gauge	1	
17	50011209	Hose Assembly	1	
18	00002138	Fitting, Straight, Bulkhead	5	
19	50011215	Hose Assembly	1	BA44RT BA41RT
	50011804	Hose Assembly	1	BA36RT
20	50011216	Hose Assembly	1	BA44RT BA41RT
	50011805	Hose Assembly	1	BA36RT
21	00002071	Fitting, Straight	1	
22	50011195	Hose Assembly	1	
23	00003870	Fitting, 90°, Bulkhead	2	
24	00001835	Fitting, 90°	2	
25	50010875	Hose Assembly, Tube	1	BA44RT BA41RT

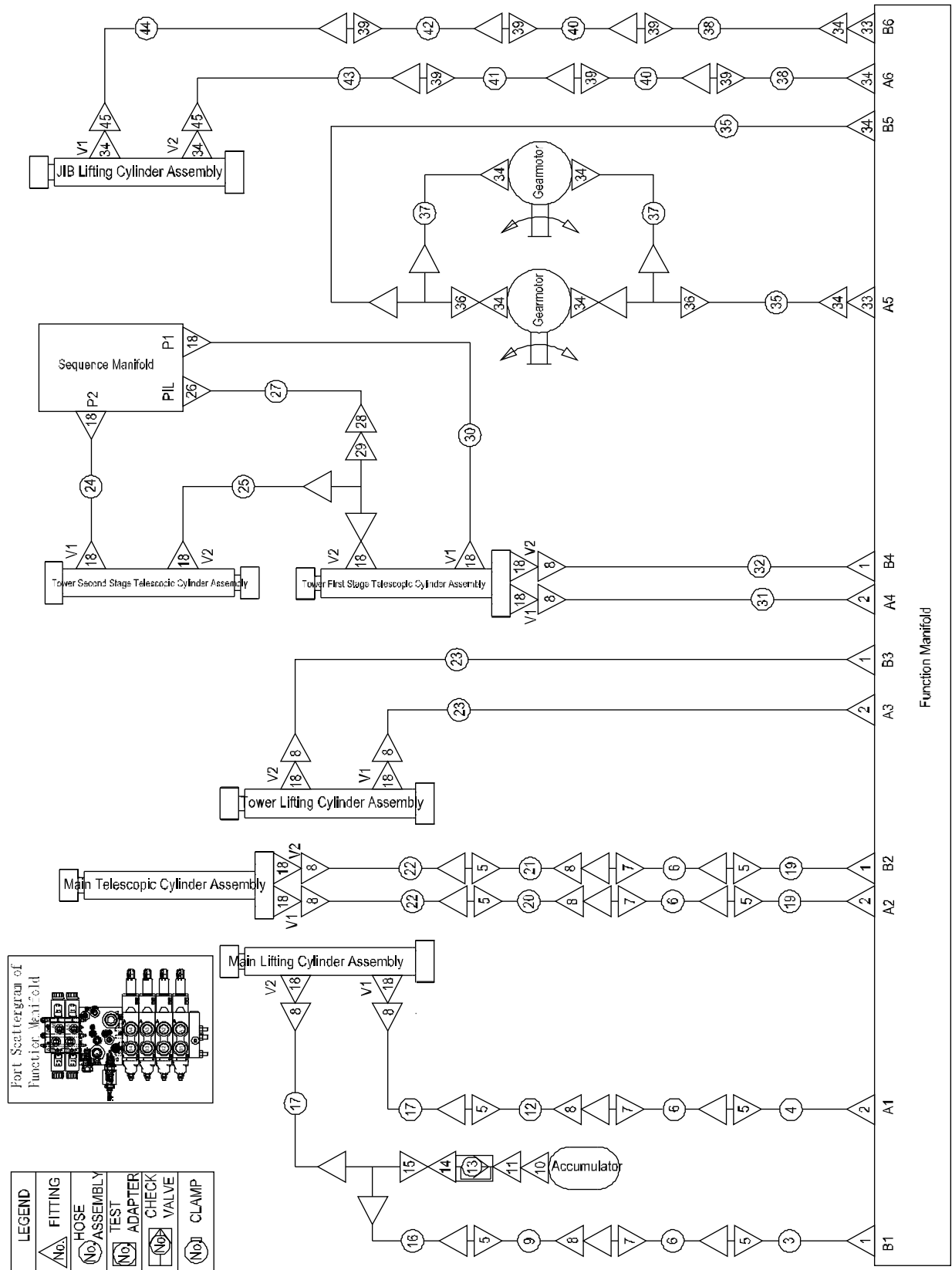
6-4 Turntable Circuit 2 (Continued)

Item	Part Number	Description	Qty.	Remark
25	50011531	Hose Assembly, Tube	1	BA36RT
26	50010876	Hose Assembly, Tube	1	BA44RT BA41RT
	50011535	Hose Assembly, Tube	1	BA36RT
27	50011254	Hose Assembly	1	BA44RT
	50011794	Hose Assembly	1	BA41RT
	50011809	Hose Assembly	1	BA36RT
28	50011255	Hose Assembly	1	BA44RT
	50011795	Hose Assembly	1	BA41RT
	50011810	Hose Assembly	1	BA36RT
29	00001506	Fitting, Straight	5	
30	50011262	Hose Assembly	1	
31	00001507	Fitting, Straight	2	
32	50011263	Hose Assembly	1	
33	00009850	Fitting, Straight	2	
34	00001837	Fitting, 90°	1	
35	50011196	Hose Assembly	1	
36	00005846	Fitting, Straight	1	
37	50011135	Hose Assembly, Tube	1	
38	00001726	Fitting, Straight	1	
39	00001240	Fitting, Tee	1	
40	00005926	Fitting, Straight, Red	1	
41	50011193	Hose Assembly	1	
42	00001316	Fitting, Straight	1	
43	00001832	Fitting, 90°	1	
44	00012523	Fitting, Straight	1	
45	00001836	Fitting, 90°	1	
46	00012533	Check Valve	1	
47	00001512	Fitting, Straight	1	

6-4 Turntable Circuit 2 (Continued)

Item	Part Number	Description	Qty.	Remark
48	50008510	Hose Assembly	1	
49	50011194	Hose Assembly	1	
50	00001074	Plug	2	
51	00001269	Fitting, Straight	1	
52	50011190	Hose Assembly	1	
53	00005618	Fitting, Straight	1	

6-5 Telescopic Boom Circuit (BA44RT, BA41RT)



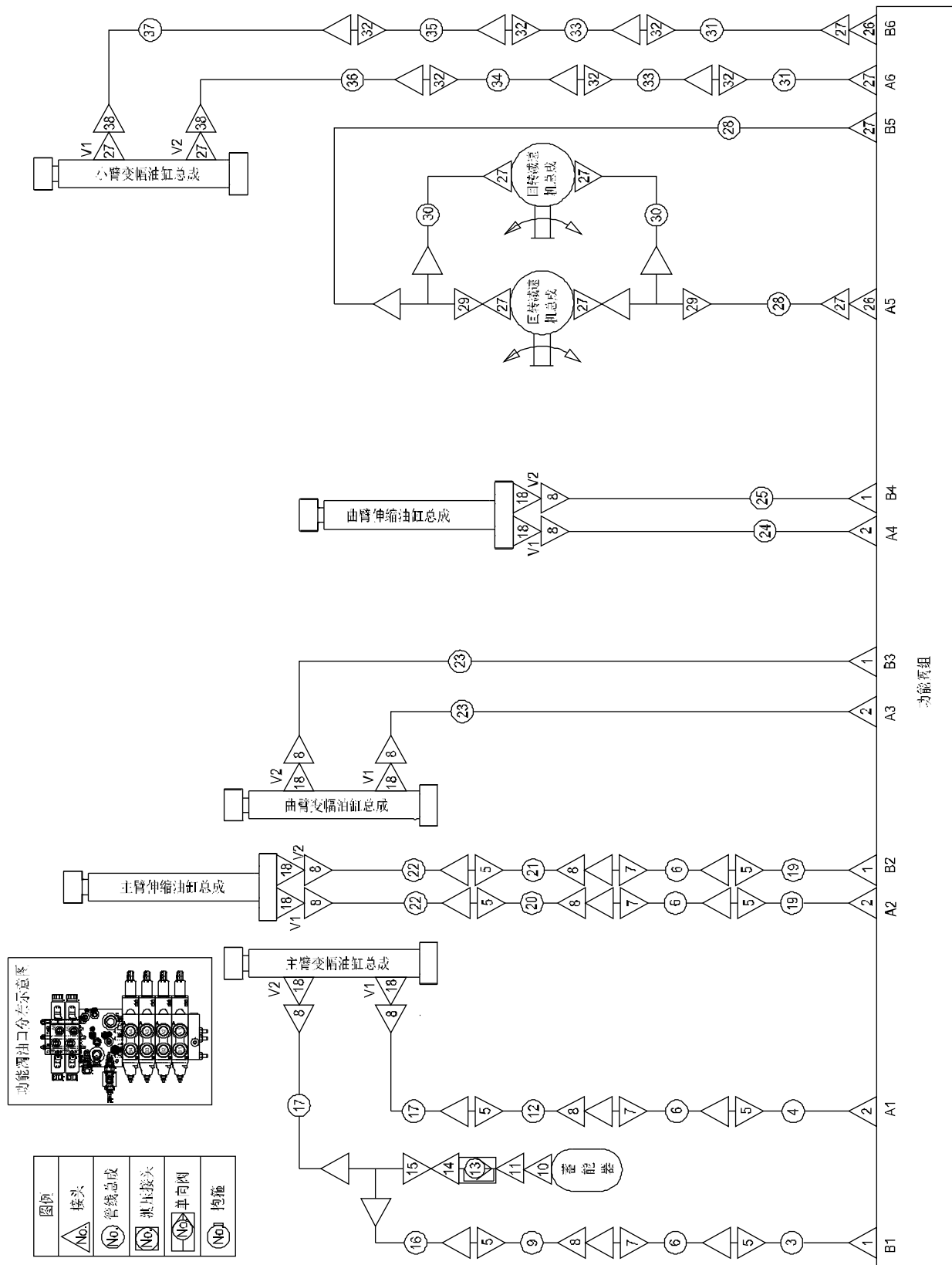
6-5 Telescopic Boom Circuit (BA44RT, BA41RT)

Item	Part Number	Description	Qty.	Remark
1	00012325	Fitting, Straight	4	
2	00001508	Fitting, Straight	4	
3	50011211	Hose Assembly	1	
4	50011210	Hose Assembly	1	
5	00002138	Fitting, Straight, Bulkhead	8	
6	50011219	Hose Assembly	4	
7	00003870	Fitting, 90°, Bulkhead	4	
8	00001835	Fitting, 90°	12	
9	50010880	Hose Assembly, Tube	1	
10	00001504	Fitting, Straight	1	
11	00003088	Fitting, Straight	1	
12	50010879	Hose Assembly, Tube	1	
13	90011970	Valve, Flow Control, Adjustable	1	
14	00001507	Fitting, Straight	1	
15	00001240	Fitting, Tee	1	
16	50011221	Hose Assembly	1	
17	50011259	Hose Assembly	2	
18	00001506	Fitting, Straight	14	
19	50011210	Hose Assembly	2	
20	50010877	Hose Assembly, Tube	1	
21	50010878	Hose Assembly, Tube	1	
22	50011220	Hose Assembly	2	
23	50011199	Hose Assembly	2	
24	50010872	Hose Assembly, Tube	1	
25	50010871	Hose Assembly, Tube	1	
26	00001316	Fitting, Straight	1	
27	50010873	Hose Assembly, Tube	1	
28	00005926	Fitting, Straight, Red	1	
29	00002121	Fitting, Tee	1	

6-5 Telescopic Boom Circuit (BA44RT, BA41RT) (Continued)

Item	Part Number	Description	Qty.	Remark
30	50010874	Hose Assembly, Tube	1	
31	50011197	Hose Assembly	1	
32	50011198	Hose Assembly	1	
33	92048866	Fitting, Straight, Customize	2	
34	00001501	Fitting, Straight	10	
35	92102145	Hose Assembly	2	
36	00001239	Fitting, Tee	2	
37	50004609	Hose Assembly	2	
38	50011212	Hose Assembly	2	
39	00002137	Fitting, Straight, Bulkhead	6	
40	50011218	Hose Assembly	2	
41	50011101	Hose Assembly, Tube	1	
42	50011102	Hose Assembly, Tube	1	
43	50011257	Hose Assembly	1	BA44RT
	50011797	Hose Assembly	1	BA41RT
44	50011258	Hose Assembly	1	BA44RT
	50011798	Hose Assembly	1	BA41RT
45	00001834	Fitting, 90°	2	

6-6 Telescopic Boom Circuit (BA36RT)



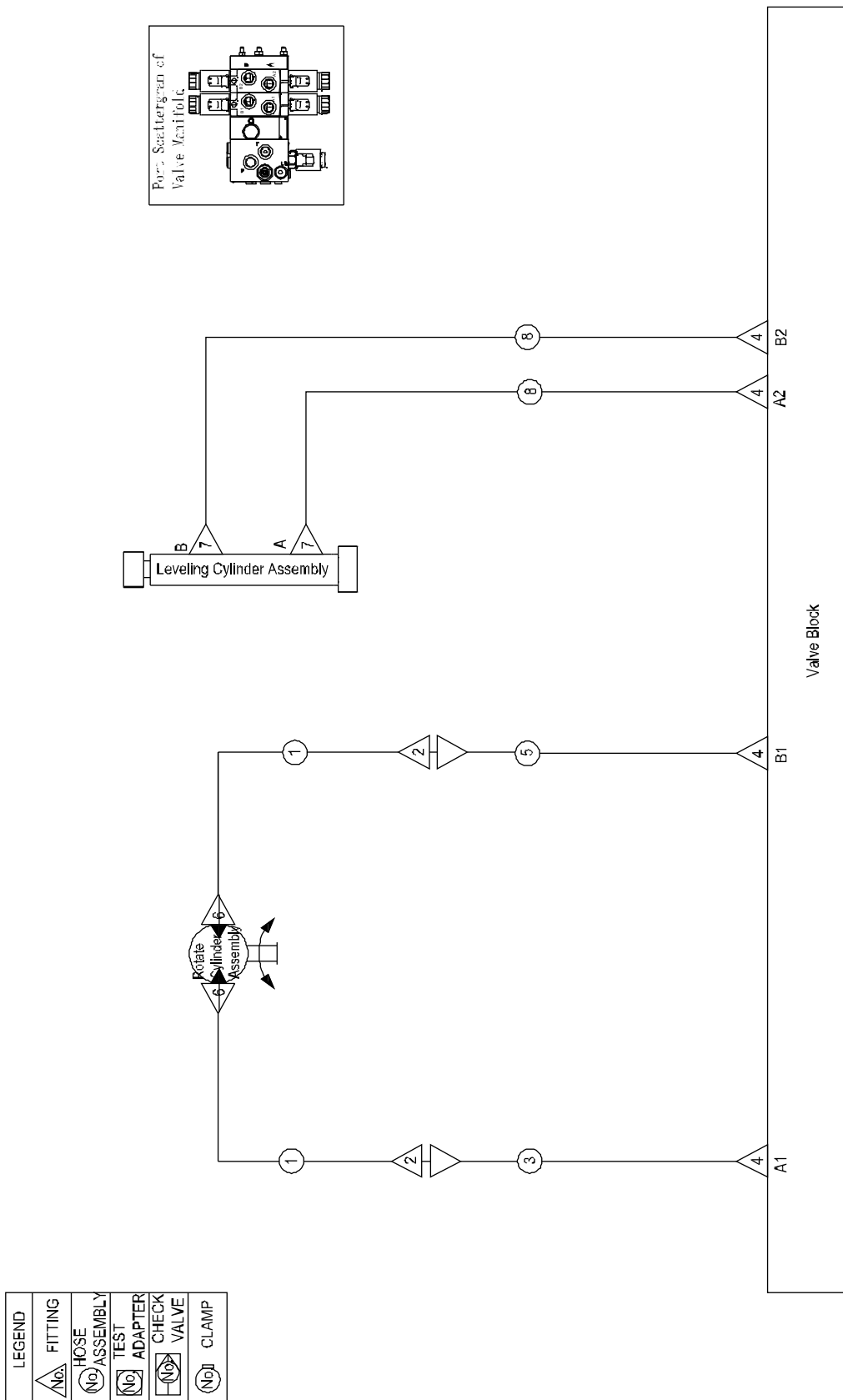
6-6 Telescopic Boom Circuit (BA36RT)

Item	Part Number	Description	Qty.	Remark
1	00012325	Fitting, Straight	4	
2	00001508	Fitting, Straight	4	
3	50011211	Hose Assembly	1	
4	50011210	Hose Assembly	1	
5	00002138	Fitting, Straight, Bulkhead	8	
6	50011808	Hose Assembly	4	
7	00003870	Fitting, 90°, Bulkhead	4	
8	00001835	Fitting, 90°	12	
9	50011534	Hose Assembly, Tube	1	
10	00001504	Fitting, Straight	1	
11	00003088	Fitting, Straight	1	
12	50011538	Hose Assembly, Tube	1	
13	90011970	Valve, Flow Control, Adjustable	1	
14	00001507	Fitting, Straight	1	
15	00001240	Fitting, Tee	1	
16	50011221	Hose Assembly	1	
17	50011259	Hose Assembly	2	
18	00001506	Fitting, Straight	8	
19	50011210	Hose Assembly	2	
20	50011532	Hose Assembly, Tube	1	
21	50011536	Hose Assembly, Tube	1	
22	50011220	Hose Assembly	2	
23	50011199	Hose Assembly	2	
24	50011197	Hose Assembly	1	
25	50011198	Hose Assembly	1	
26	92048866	Fitting, Straight, Customize	2	
27	00001501	Fitting, Straight	10	
28	92102145	Hose Assembly	2	
29	00001239	Fitting, Tee	2	

6-6 Telescopic Boom Circuit (BA36RT) (Continued)

Item	Part Number	Description	Qty.	Remark
30	50004609	Hose Assembly	2	
31	50011212	Hose Assembly	2	
32	00002137	Fitting, Straight, Bulkhead	6	
33	50011807	Hose Assembly	2	
34	50011530	Hose Assembly, Tube	1	
35	50011533	Hose Assembly, Tube	1	
36	50011812	Hose Assembly	1	
37	50011813	Hose Assembly	1	
38	00001834	Fitting, 90°	2	

6-7 JIB Circuit

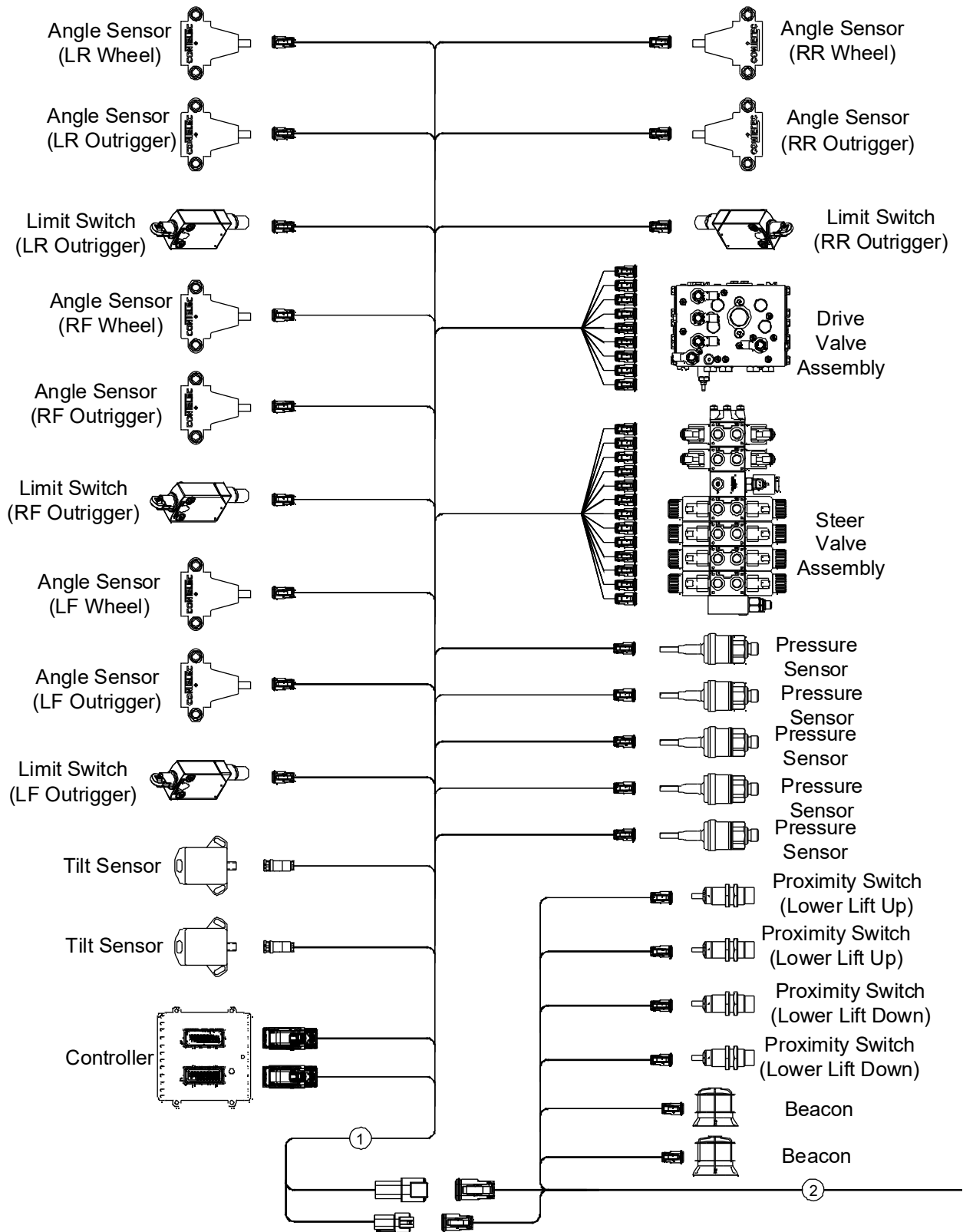


6-7 JIB Circuit

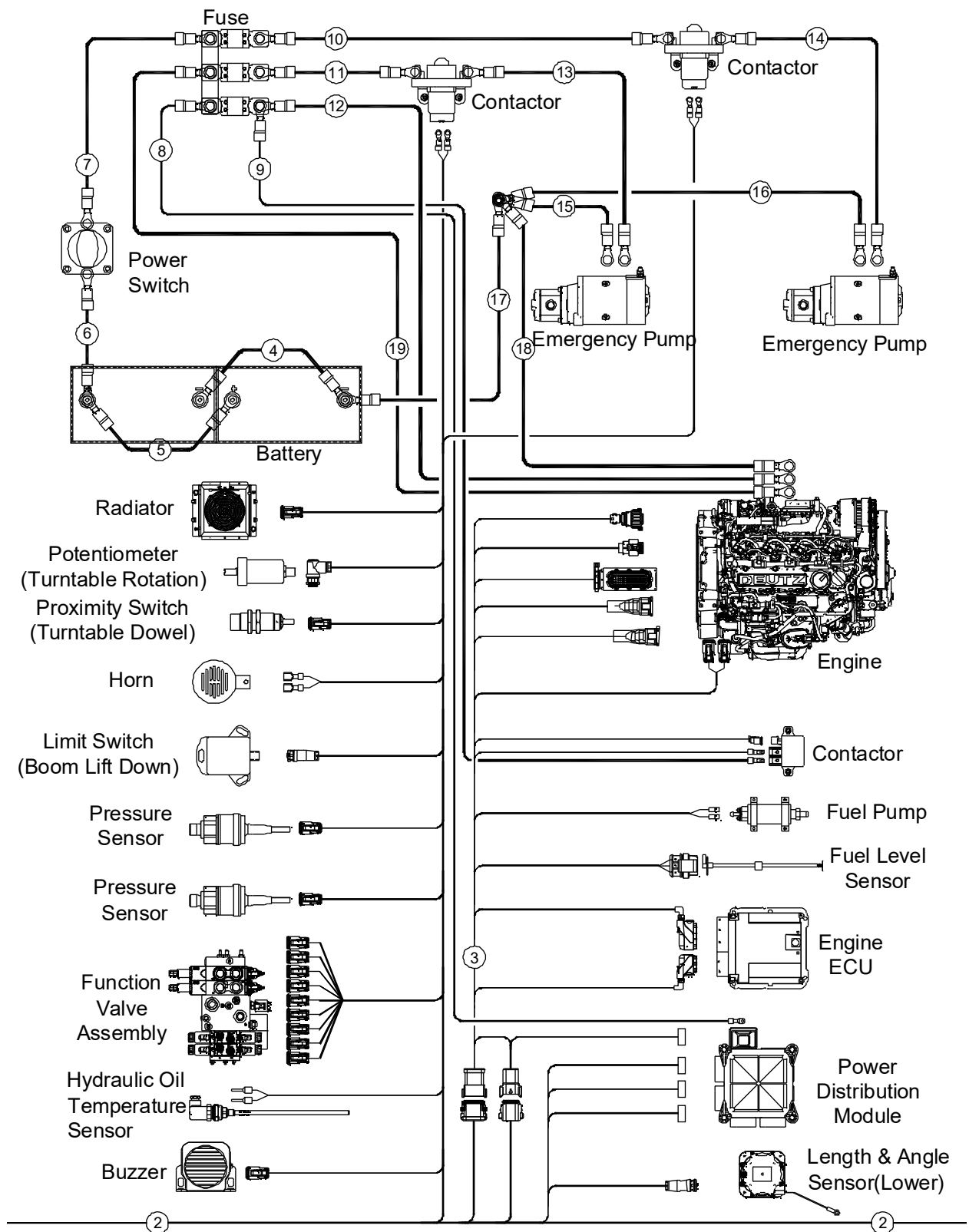
Item	Part Number	Description	Qty.	Remark
1	50011266	Hose Assembly	2	
2	00003868	Fitting, 90°, Bulkhead	2	
3	50011156	Hose Assembly, Tube	1	
4	00001499	Fitting, Straight	4	
5	50011157	Hose Assembly, Tube	1	
6	00009946	Fitting, Straight, Orifice	2	
7	00001291	Fitting, Straight	2	
8	50011265	Hose Assembly	2	

Section 7 Electrical System

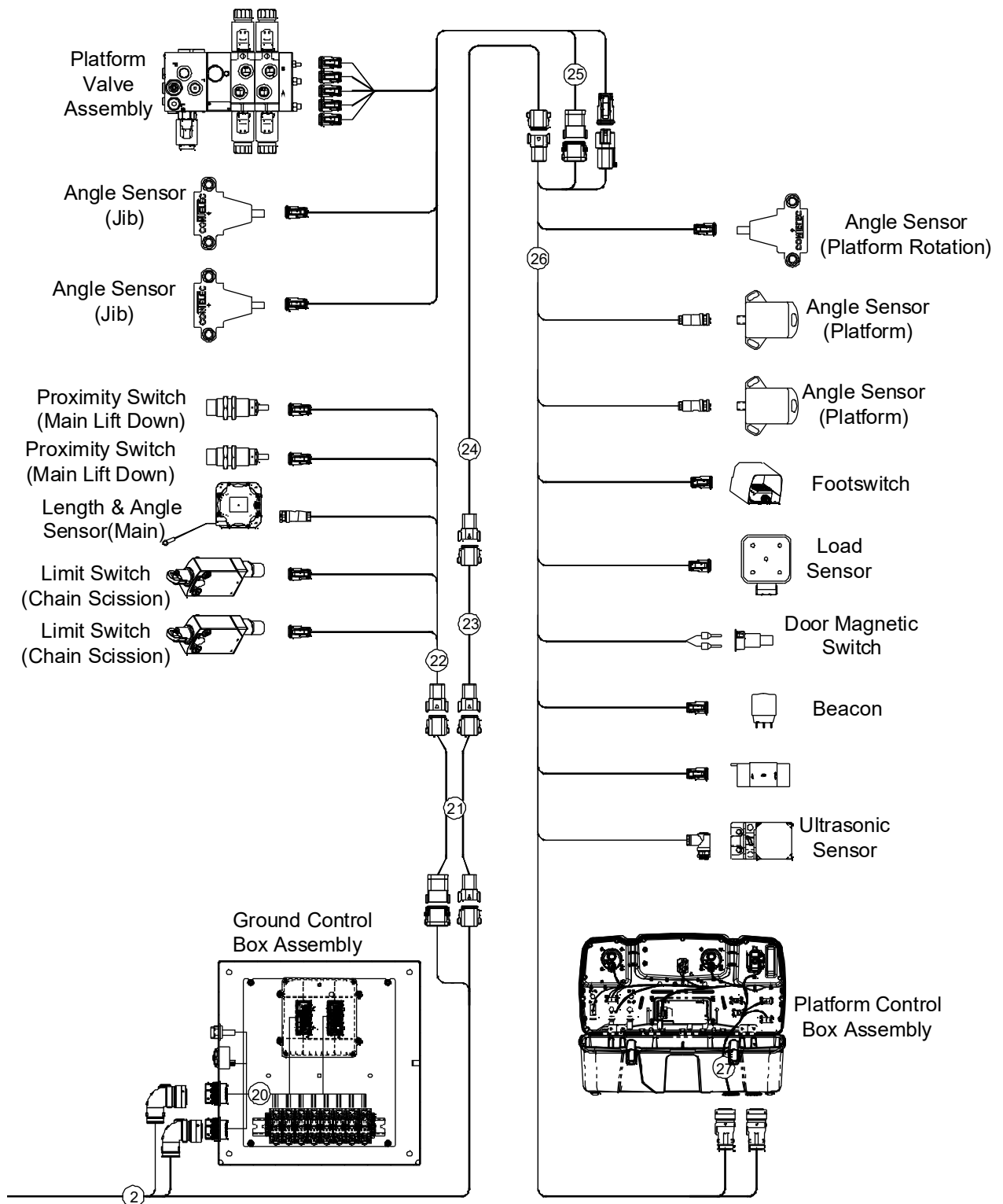
7-1 Electrical Harness



7-1 Electrical Harness (Continued)



7-1 Electrical Harness (Continued)



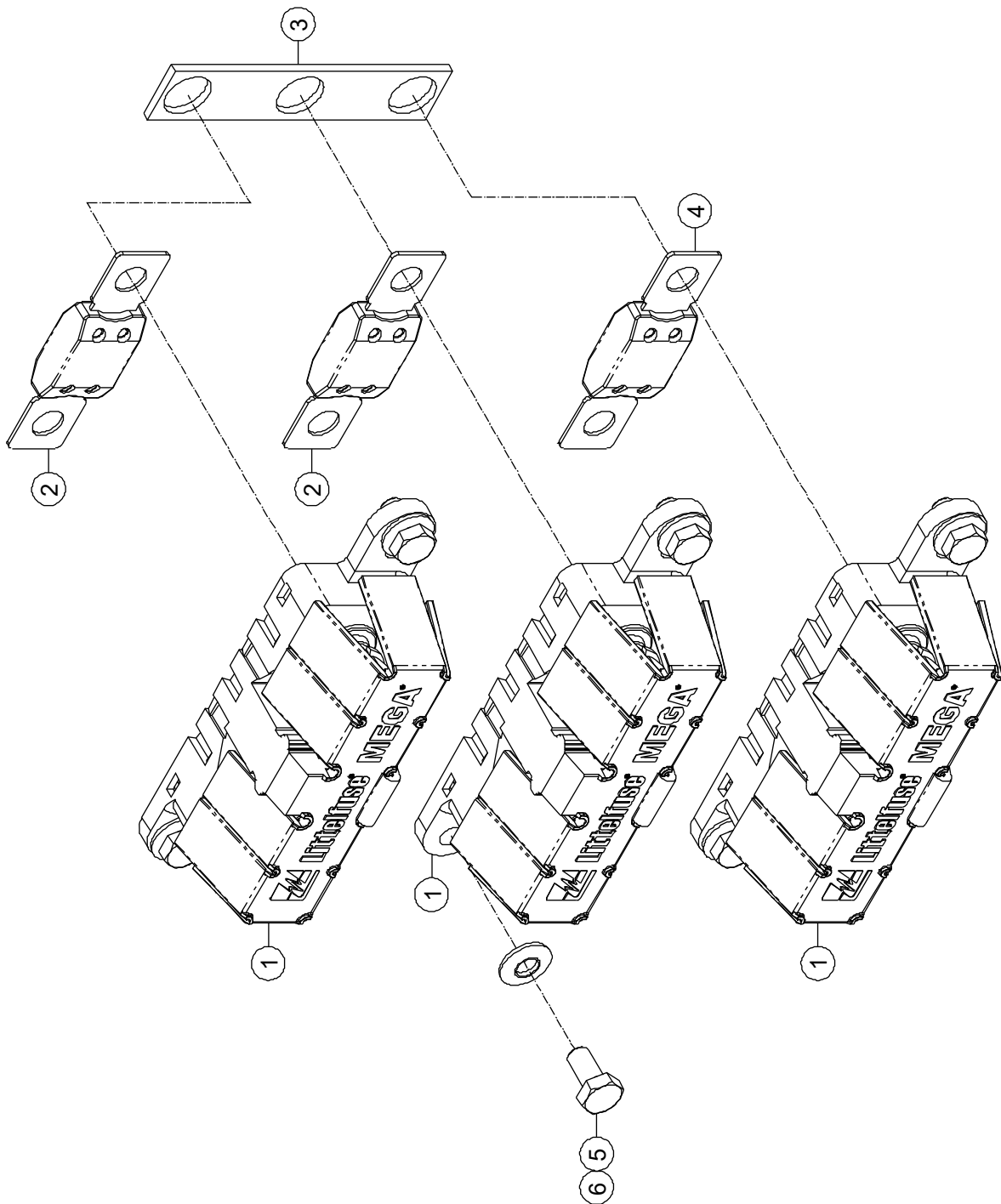
7-1 Electrical Harness

Item	Part Number	Description	Qty.	Remark
1	00009081	Chassis Harness	1	
2	00010056	Turntable Harness	1	
3	00009083	Engine Harness	1	EU V CHINA IV
	00009096	Engine Harness	1	CHINA III
4	00010174	12V Battery Negative Shunt Harness	1	
5	00010173	12V Battery Positive Shunt Harness	1	
6	00010175	Power Switch Harness	1	
7	00010176	Fuse Harness	1	
8	00011309	Fuse Box Power Harness	1	
9	00011314	Preheat Contactor Harness	1	
10	00010178	Emergency Pump Contactor Harness 1	1	
11	00010179	Emergency Pump Contactor Harness 2	1	
12	00011313	Alternator Harness	1	
13	00010182	Emergency Pump Positive Harness 2	1	
14	00010181	Emergency Pump Positive Harness 1	1	
15	00012413	Emergency Pump Negative Harness 2	1	
16	00012412	Emergency Pump Negative Harness 1	1	
17	00010185	12V Battery Negative Harness	1	
18	00011312	Engine Negative Harness	1	
19	00011311	Start Motor Harness	1	
20	00012304	Ground Control Plane Harness	1	
21	00009086	Lower Boom Harness	1	BA44RT
	00012387	Lower Boom Harness	1	BA41RT
	00012386	Lower Boom Harness	1	BA36RT
22	00012417	Sensor Harness	1	
23	00010059	Main Boom Harness	1	BA44RT
	00012385	Main Boom Harness	1	BA41RT
	00012384	Main Boom Harness	1	BA36RT

7-1 Electrical Harness (Continued)

Item	Part Number	Description	Qty.	Remark
24	00012279	Jib Harness 1	1	
25	00012280	Jib Harness 2	1	
26	00009085	Platform Harness	1	
27	00011324	Platform Control Box Harness	1	

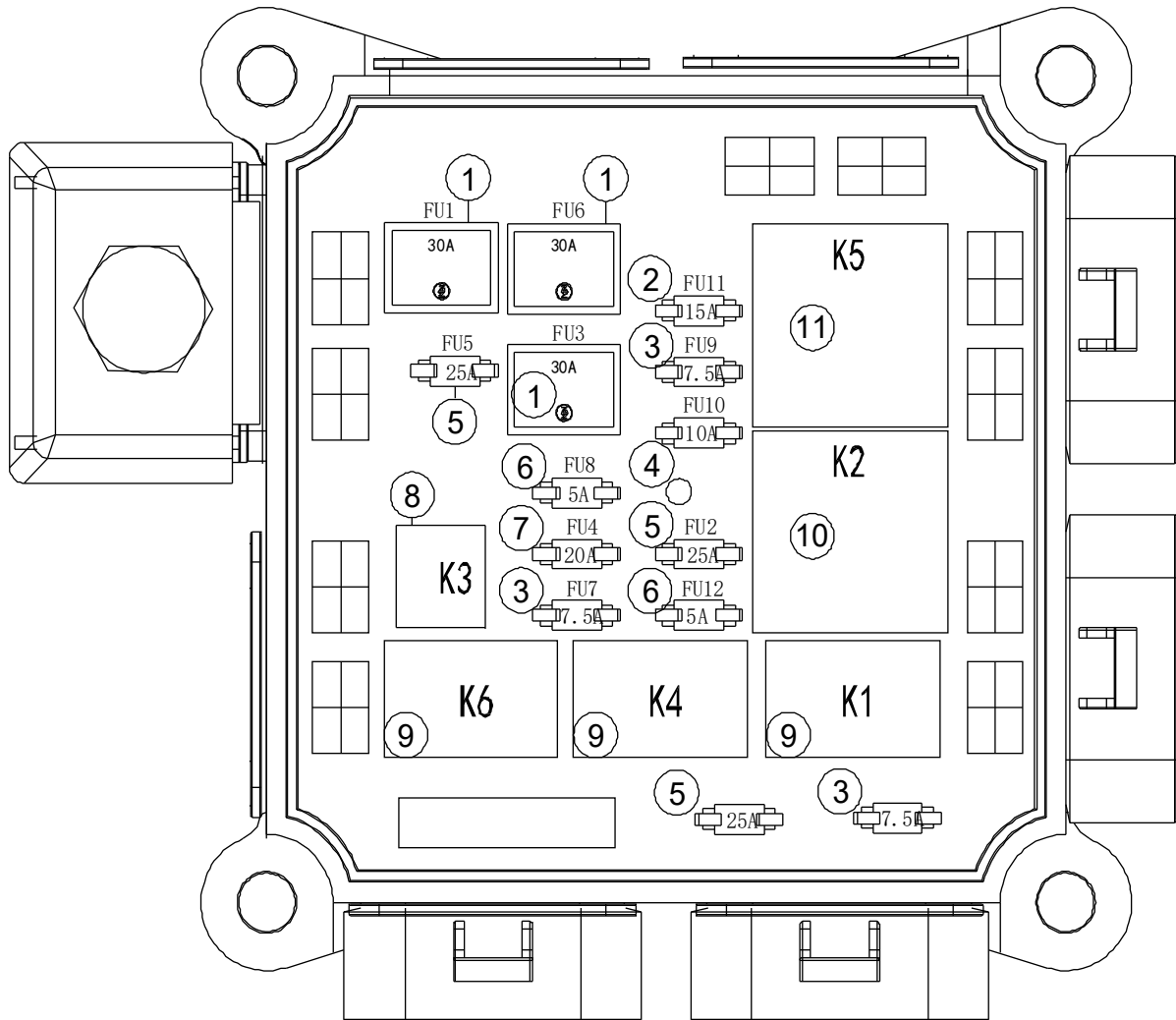
7-2 Fuse Holder Assembly



7-2 Fuse Holder Assembly

Item	Part Number	Description	Qty.	Remark
1	93300329	Fuse Holder	3	
2	00010510	Fuse 175A	2	
3	93300331	Bus Bar	1	
4	00010511	Fuse 225A	1	
5	00000745	Bolt GB/T 5783 M6 × 12	6	
6	93000014	Spring Washer Φ6.1	6	

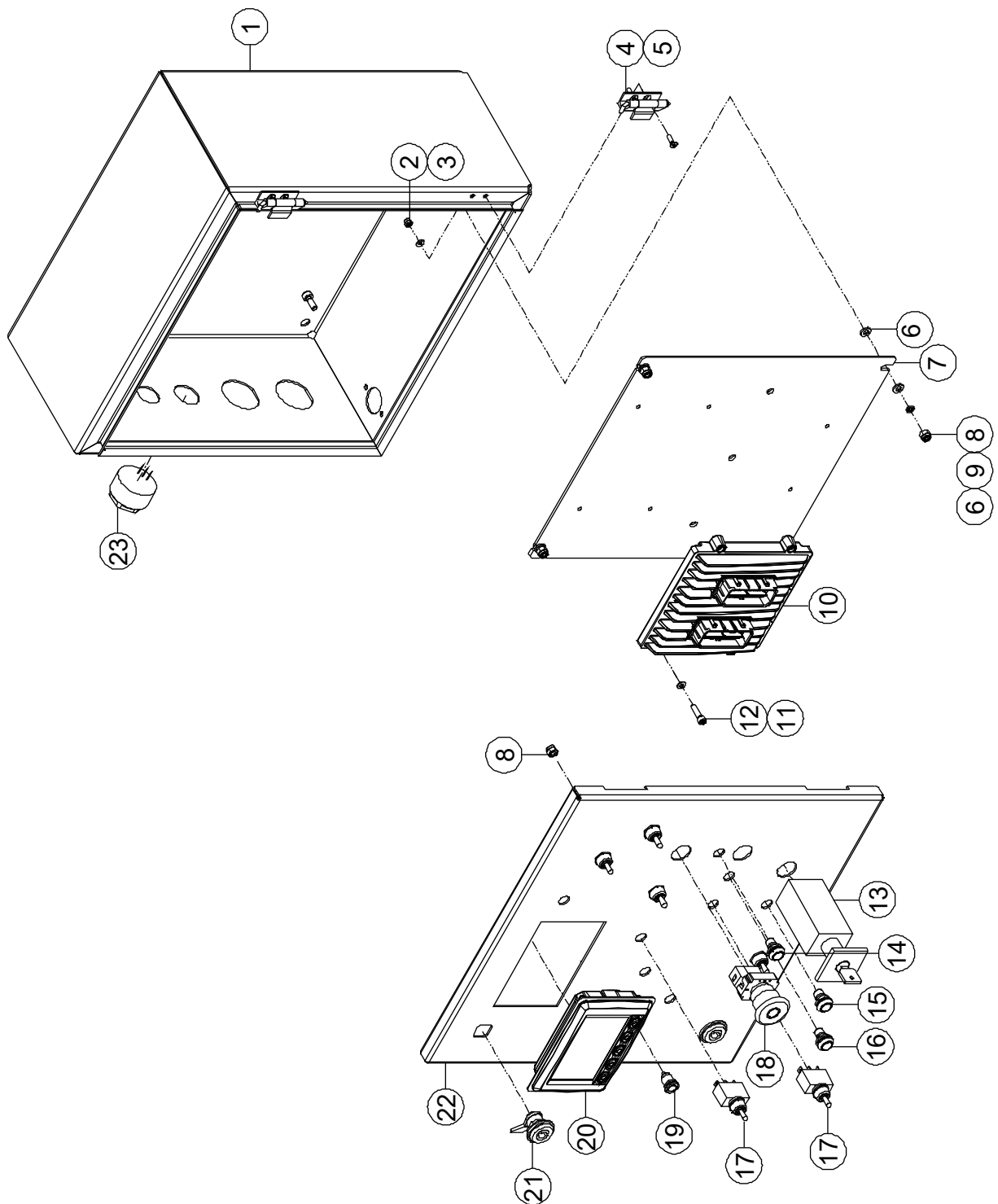
7-3 Power Distribution Module



7-3 Power Distribution Module

Item	Part Number	Description	Qty.	Remark
1	00010918	Fuse 30A	3	
2	00010916	Fuse 15A	1	
3	00010914	Fuse 7.5A	3	
4	00010915	Fuse 10A	1	
5	00010930	Fuse 25A	2	
6	00010913	Fuse 5A	2	
7	00010917	Fuse 20A	1	
8	00010921	Relay	1	
9	00010919	Relay	3	
10	00010920	Relay	1	
11	00010922	Relay	1	

7-4 Ground Control Box Assembly



7-4 Ground Control Box Assembly

Item	Part Number	Description	Qty.	Remark
1	93000313	Box	1	
2	00001236	Nut GB/T 889.1 M4	4	
3	00000778	Flat Washer GB/T 97.1 4	4	
4	50000217	Rack, Gemel	2	
5	00005259	Screw GB/T 819 M4 × 14 - H	4	
6	00000620	Flat Washer GB/T 97.1 6	8	
7	93000315	Bracket	1	
8	00000742	Nut GB/T 889.1 M6	6	
9	00000621	Spring Washer GB/T 93 6	4	
10	00008699	Controller	1	
11	00000605	Flat Washer GB/T 97.1 5	1	
12	00000817	Screw GB/T 70 M5 × 20	1	
13	00006133	Key switch	1	
14	00006137	Pushbutton, red	1	
15	00006138	Pushbutton, green	1	
16	00006154	Pushbutton, red	1	
17	00006135	Switch, Toggle	6	
18	00000921	Emergency stop switch	1	
-	00000752	Base With 1 NC Contact	1	
-	00000754	Red Mushroom Head	1	
19	00003162	Indicator	1	
20	00009732	Display	1	
21	00001296	Lock, Column	2	
22	93000779	Electric Control Box Cover	1	
23	00002326	Alarm	1	

7-5 Platform Control Box Assembly

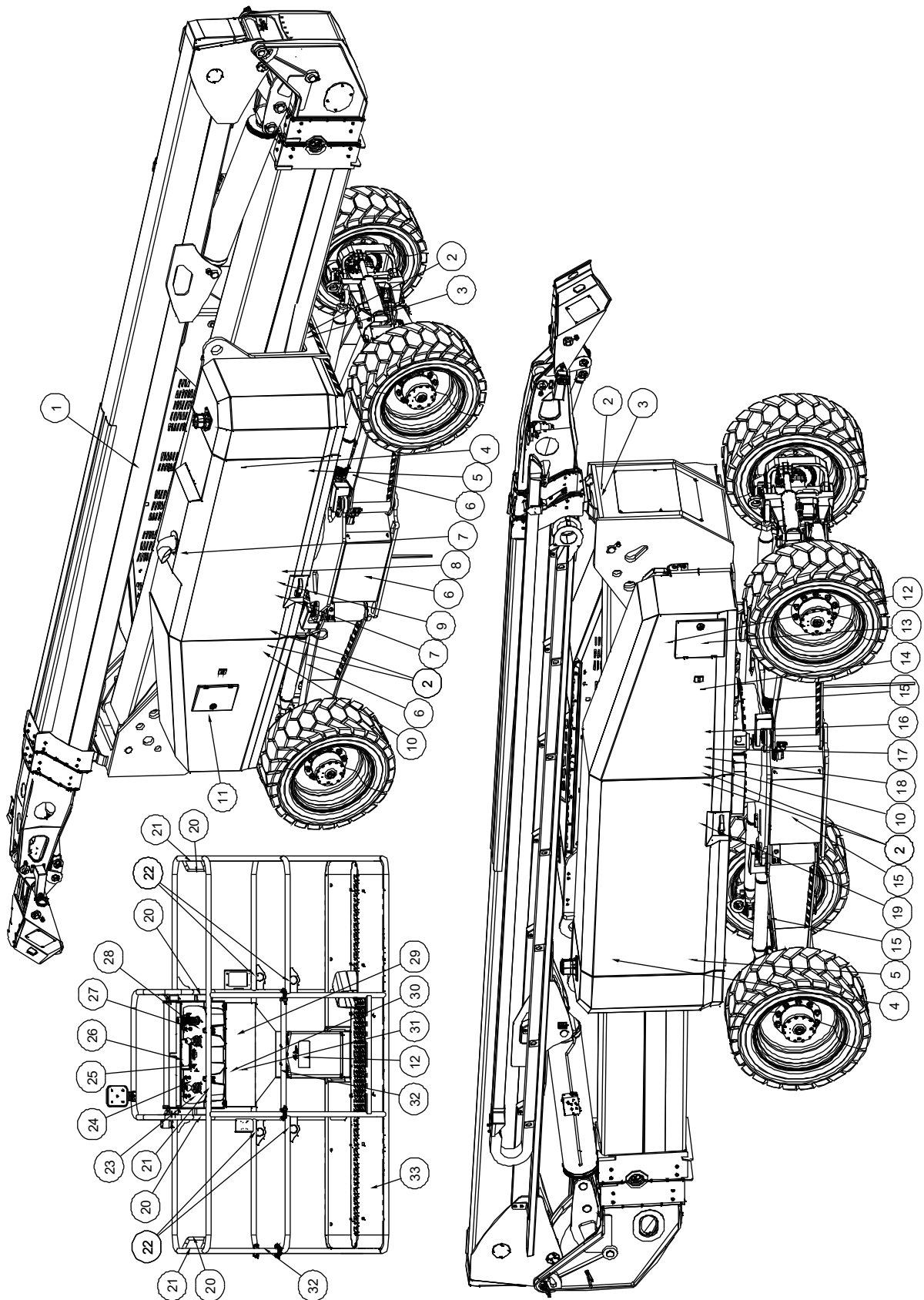
Item	Part Number	Description	Qty.	Remark
1	00009732	Display	1	
2	00005393	Joystick (Steer & Drive)	1	
3	00002940	Screw GB/T 819 M4 × 16 - H	10	
4	00010011	Select switch	1	
5	00003162	Indica	1	
6	00007929	Switch, Toggle	2	
7	00006134	Switch, Toggle	5	
8	00000876	Screw GB/T 70 M6 × 16	5	
9	00000621	Spring Washer GB/T 93 6	5	
10	00000620	Flat Washer GB/T 97.1 6	5	
11	00002326	Alarm	1	
12	00005391	Hinge	2	
13	00001252	Screw GB/T 70 M5 × 12	8	
14	92000094	Bracket	1	
15	93000403	Platform Control Box	1	
16	00000993	Screw GB/T 5783 M8 × 25	4	
17	00000609	Spring Washer GB/T 93 8	4	
18	00000608	Flat Washer GB/T 97.1 8	4	
19	00005126	Screw GB/T 818 M3 × 8 - H	12	
20	00005392	Latch	2	
21	00008699	Controller	1	
22	00000605	Flat Washer GB/T 97.1 5	4	
23	00000606	Spring Washer GB/T 93 5	4	
24	00000817	Screw GB/T 70 M5 × 20	4	
25	00000754	Red Mushroom Head	1	
26	00000752	Base With 1 NC Contact	1	
27	00000667	Plug, Toggle Switch	1	
28	00006135	Switch, Toggle	4	
29	00002712	Nut GB/T 6170 M4	10	

7-5 Platform Control Box Assembly (Continued)

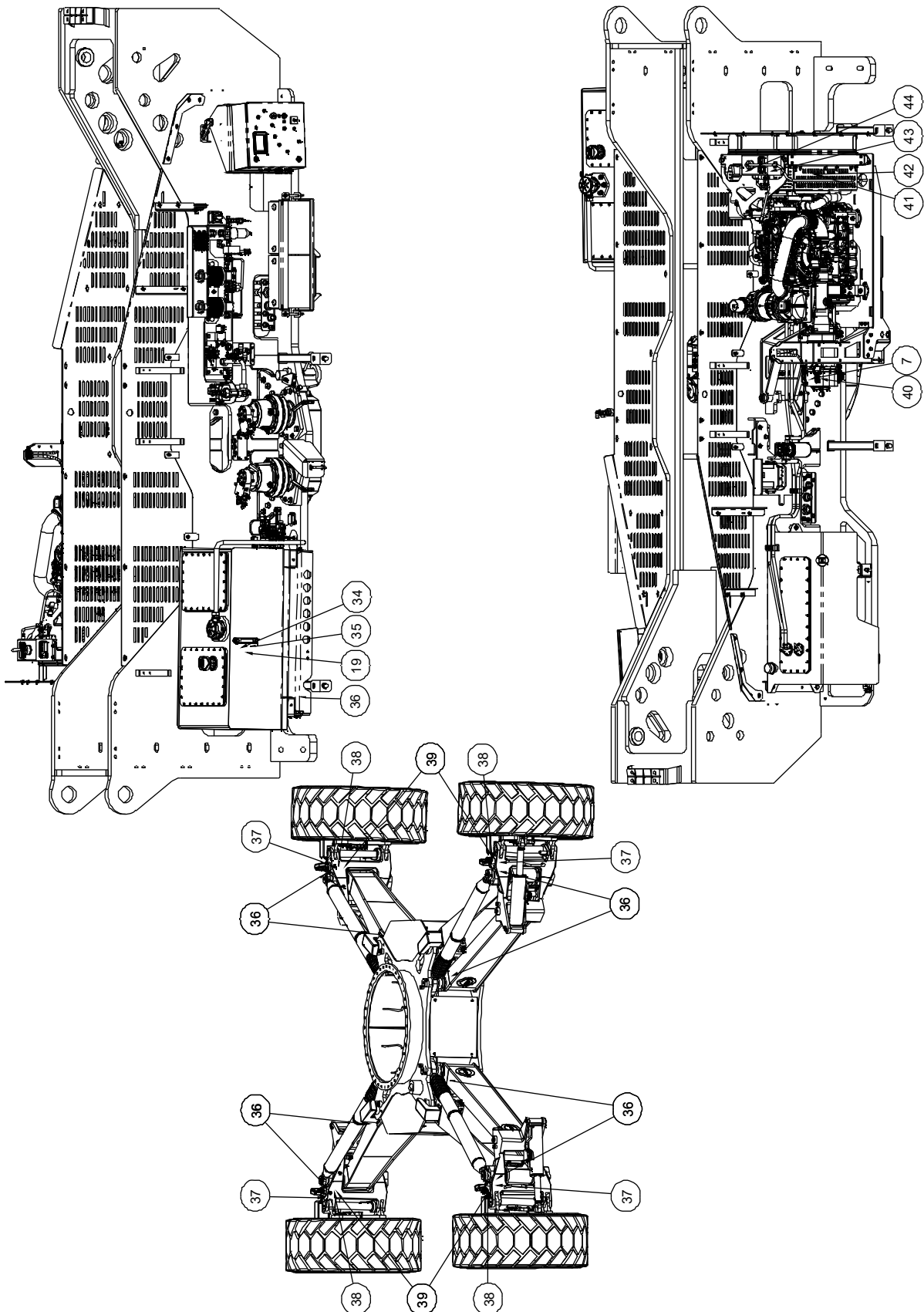
Item	Part Number	Description	Qty.	Remark
30	00000779	Spring Washer GB/T 93 4	10	
31	00000778	Flat Washer GB/T 97.1 4	14	
32	93000402	Cover, Platform Control Box	1	
33	00005394	Joystick	2	
34	00011653	Cover, Display	1	
35	00001054	Screw GB/T 70 M4 × 12	4	

Section 8 Decals

8-1 Decals Installations



8-1 Decals Installations (Continued)



8-1 Decals Installations

Item	Part Number	Description	Qty.	Remark
1	09630240	Decal, Label-BA44RT	1	BA44RT
	09630241	Decal, Label-BA41RT	1	BA41RT
	09630242	Decal, Label-BA36RT	1	BA36RT
2	09410118	Decal, Symbols-Hand crushing hazard	6	
3	09410117	Decal, Symbols-Crushing hazard	2	
4	09920017	Decal, Label-44m	2	BA44RT
	09920018	Decal, Label-41m	2	BA41RT
	09920023	Decal, Label-36m	2	BA36RT
5	09620027	Decal, Label-BA44RT	2	BA44RT
	09620028	Decal, Label-BA44RT	2	BA41RT
	09620029	Decal, Label-BA44RT	2	BA36RT
6	09310251	Decal, Instructions-Black arrow forward	3	
7	09410186	Decal, Symbols-High temperature	3	
8	09310546	Decal, Instructions-Noise 107dB	1	
9	09310370	Decal, Instructions-Engine	1	
10	09410228	Decal, Symbols-Electrocution hazard	2	
11	09310253	Decal, Instructions-Diesel	1	
12	09340026	Decal, Symbols-Refer the operator to the instructions for use	2	
13	09120019	Decal, Ground control panel	1	
14	09320022	Decal, Instructions-Work area	1	BA44RT
	09320023	Decal, Instructions-Work area	1	BA41RT
	09320024	Decal, Instructions-Work area	1	BA36RT
15	09310250	Decal, Instructions-White arrow reverse	3	
16	09410242	Decal, Symbols-Slope rating	1	
17	09410138	Decal, Symbols-Explosion/burn hazard	1	
18	09410139	Decal, Symbols-Injection hazard	1	
19	09310252	Decal, Instructions-Hydraulic	2	
20	09340070	Decal, Symbols-Non operating hand position	4	

8-1 Decals Installations (Continued)

Item	Part Number	Description	Qty.	Remark
21	09440212	Decal, Warning-Crushing hazard	3	
22	09340041	Decal, Label-Lanyard anchorage point	4	
23	09140040	Decal, Platform control panel	1	
24	09140055	Decal, Platform control panel	1	
25	09140041	Decal, Platform control panel	1	
26	09140038	Decal, Platform control panel	1	
27	09140056	Decal, Platform control panel	1	
28	09140042	Decal, Platform control panel	1	
29	09440499	Decal, Symbols-General safety rules	1	
30	09440807	Decal, Label-Capacity 272kg	1	
31	09440498	Decal, Symbols-Tip-over hazard, tilt-alarm	1	
32	09340029	Decal, Instructions-Open/close	2	
33	09440384	Decal, Label-Capacity 272kg	1	
34	09310052	Decal, Instructions-Highest oil level	1	
35	09310053	Decal, Instructions-Lowest oil level	1	
36	09310364	Decal, Instructions-Grease filling port	9	
37	09320014	Decal, Instructions-Lift point	4	
38	09310366	Decal, Instructions-Tie down point	4	
39	09310568	Decal, Instructions-Maximum wheel load 10500kg	4	
40	09310254	Decal, Instructions-Air filter	1	
41	09410120	Decal, Symbols-Cutting hazard	1	
42	09410122	Decal, Symbols-Entangled hazard	1	
43	09310369	Decal, Notice-Filling antifreeze coolant notice	1	
44	09410123	Decal, Symbols-Pressurized liquids	1	

8-1 Decals Installations (Continued)

(1) 09630240
BA44RT


(1) 09630241
BA41RT

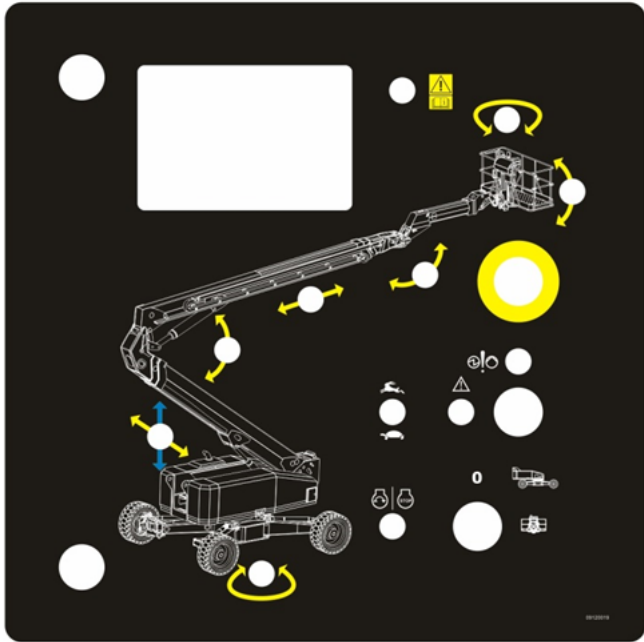
(1) 09630242
BA36RT


(5) 09620027
BA44RT


(5) 09620028
BA41RT


(5) 09620029
BA36RT


(12) 09340026



(13) 09120019



(4) 09920017



(4) 09920018



(4) 09920023



(2) 09410118



(3) 09410117


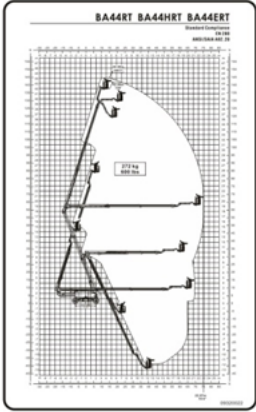
(7) 09410186



(9) 09310370


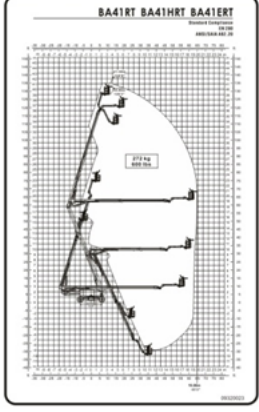
(10) 09410228


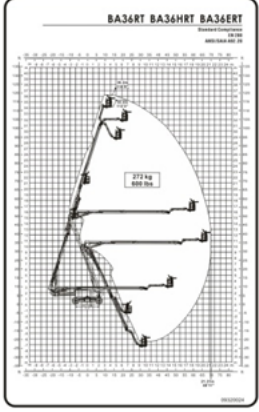
(8) 09310546


(6) 09310251


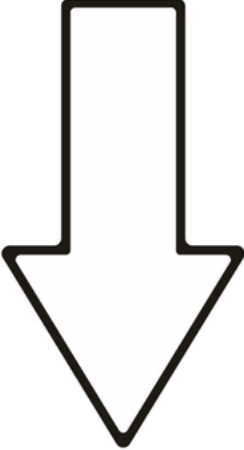




(14) 09320022







(11) 09310253




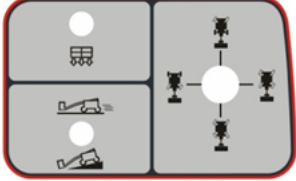
(14) 09320023





(14) 09320024





8-1 Decals Installations (Continued)


(15) 09310250 
 (16) 09410242 
 (17) 09410138 
 (18) 09410139 
 (19) 09310252 






(20) 09340070 
 (21) 09440212 
 (22) 09340041 
 (23) 09140040 
 (24) 09140055 






(25) 09140041 
 (26) 09140038 
 (27) 09140056 

(28) 09140042 
 (29) 09440499 
 (30) 09440807 

(31) 09440498 
 (32) 09340029 
 (33) 09310052 

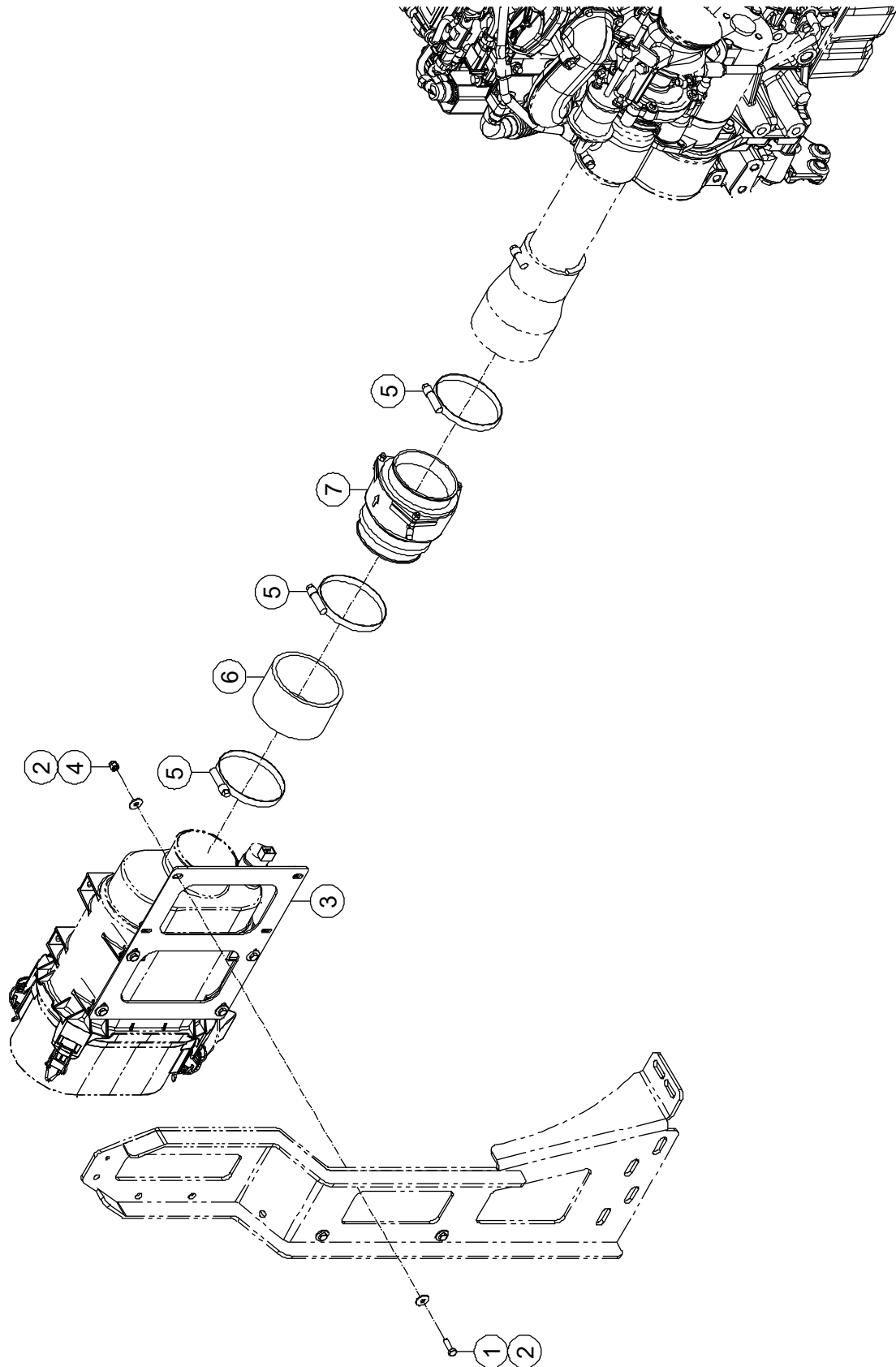
(33) 09440384 **CAPACITY • 272kg** 

(35) 09310053 
 (36) 09310364 
 (37) 09320014 
 (38) 09310366 
 (39) 09310568 

(40) 09310254 
 (41) 09410120 
 (42) 09410122 
 (43) 09310369 
 (44) 09410123 

Section 9 Special Options

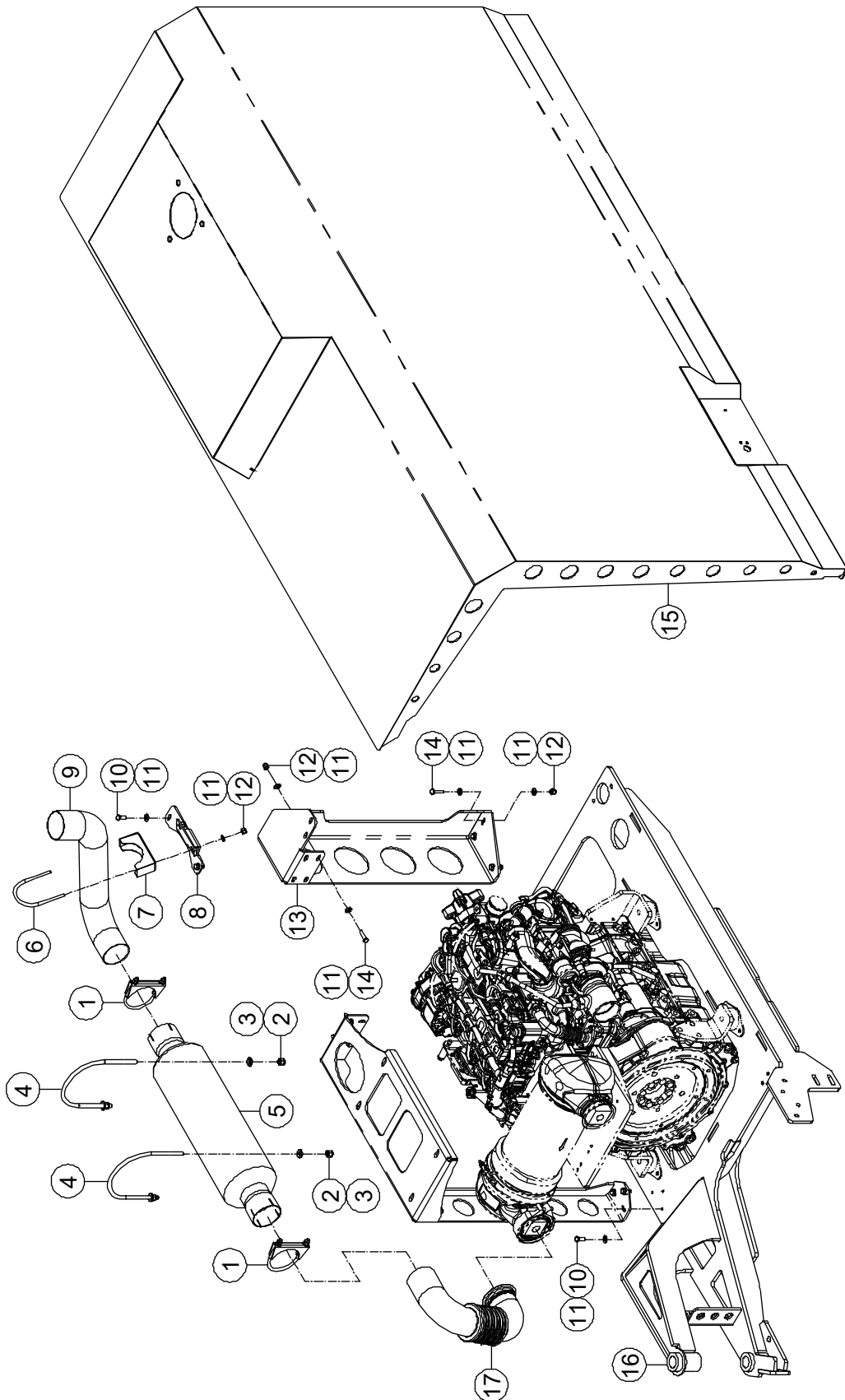
9-1 Air Shutoff Valve Installations



9-1 Air Shutoff Valve Installations

Item	Part Number	Description	Qty.	Remark
1	00000743	Bolt GB/T 5783 M6 × 20	4	
2	00002583	Flat Washer GB/T 96.1 6	8	
3	93000873	Plate	1	
4	00001033	Nut GB/T 6182 M6	4	
5	90007001	Clamp	3	
6	92102460	Hose	1	
7	92102458	Air Shutoff Valve D64	1	

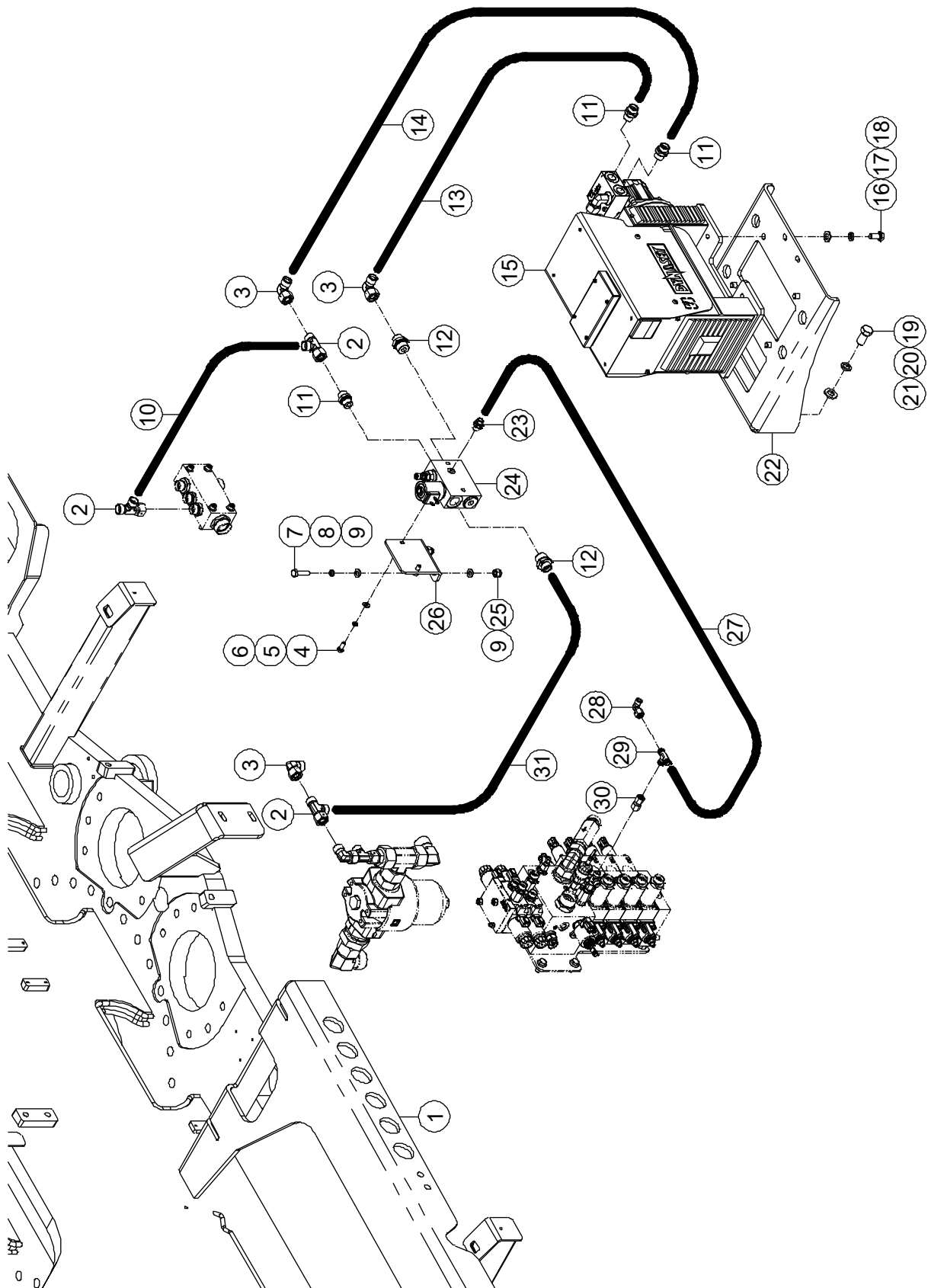
9-2 Air Intake Flame Trap Installations



9-2 Air Intake Flame Trap Installations

Item	Part Number	Description	Qty.	Remark
1	92102516	Clamp	2	
2	00000623	Nut GB/T 6182 M10	4	
3	93000016	Spring Washer Φ 10.2	4	
4	93000807	Clamp	2	
5	92102515	Air Intake Flame Trap	1	
6	93000535	Clamp	1	
7	93000536	Bracket	1	
8	93000806	Bracket	1	
9	93000805	Connecting Pipe	1	
10	00000875	Bolt GB/T 5783 M8 \times 20	5	
11	93000015	Spring Washer Φ 8.2	21	
12	00001163	Nut GB/T 6182 M8	9	
13	93000874	Bracket	1	
14	00000995	Bolt GB/T 5783 M8 \times 30	7	
15	50010805	Turntable Hood (Left Middle)	1	
16	50011862	Engine Support	1	
17	93000803	Connecting Pipe	1	

9-3 Hydraulic Generator Assembly



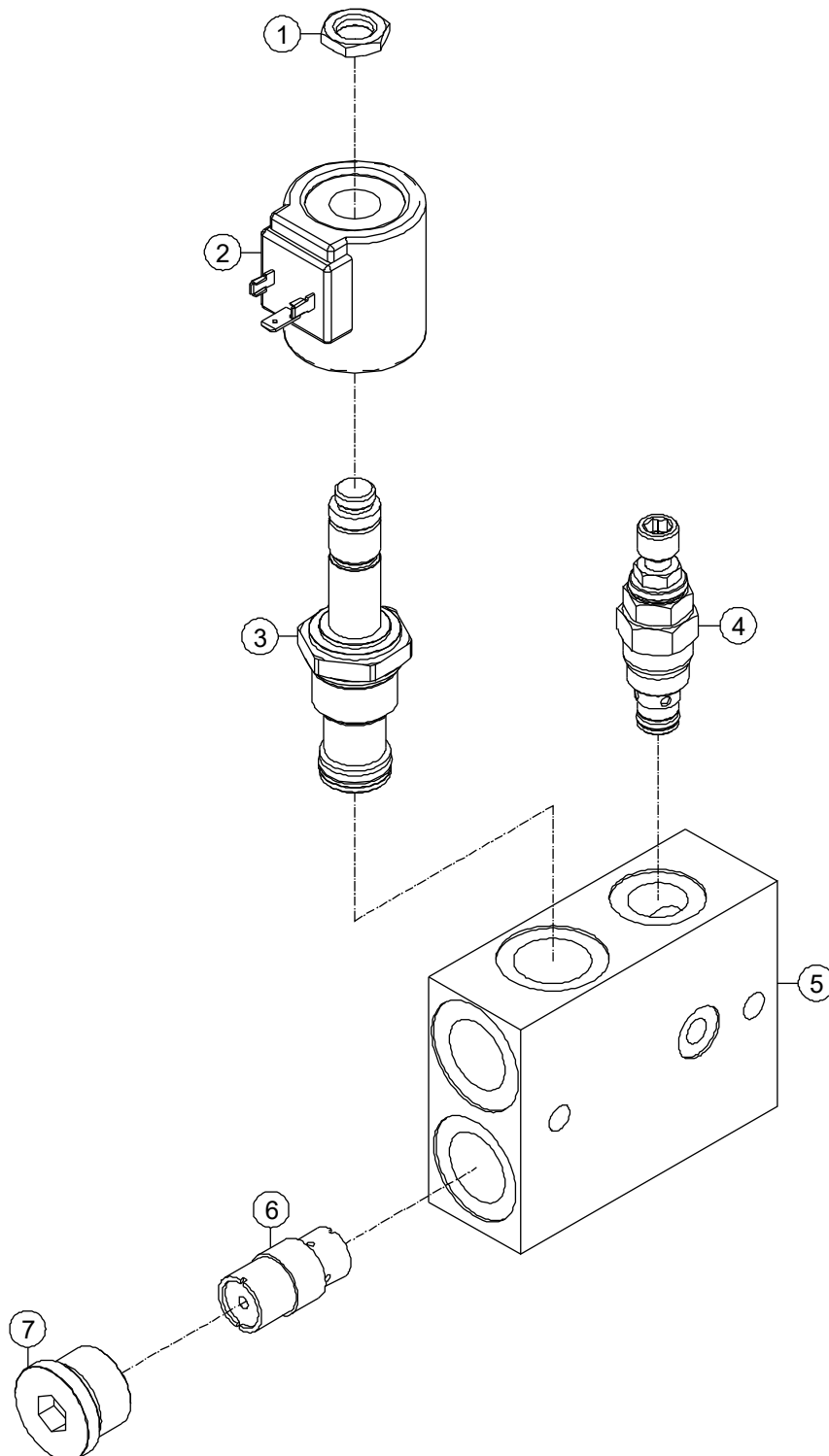
9-3 Hydraulic Generator Assembly

Item	Part Number	Description	Qty.	Remark
1	50011880	Turntable	1	
2	00001240	Fitting, Tee	3	
3	00001835	Fitting, 90°	3	
4	00000875	Bolt GB/T 5783 M8 × 20	2	
5	00000609	Spring Washer GB/T 93 8	2	
6	00000608	Flat Washer GB/T 97.1 8	2	
7	00000684	Bolt GB/T 5783 M10 × 35	2	
8	00000679	Spring Washer GB/T 93 10	2	
9	00000615	Flat Washer GB/T 97.1 10	4	
10	50011891	Hose Assembly	1	
11	00001506	Fitting, Straight	3	
12	00001508	Fitting, Straight	2	
13	50011890	Hose Assembly	1	
14	50011889	Hose Assembly	1	
15	00008004	Hydraulic Generator (5kW/110V)	1	Option 1
	00008094	Hydraulic Generator (5kW/220V)	1	Option 2
16	00000816	Bolt GB/T 5783 M12 × 25	4	
17	00000815	Spring Washer GB/T 93 12	4	
18	00000814	Flat Washer GB/T 97.1 12	4	
19	00009115	Bolt GB/T 5783 M16 × 35	4	
20	00001035	Spring Washer GB/T 93 16	4	
21	00000997	Flat Washer GB/T 97.1 16	4	
22	50011882	Bracket	1	
23	00001316	Fitting, Straight	1	
24	00008095	Control Valve Block (<i>Refer to 9-4</i>)	1	
25	00000623	Nut GB/T 6182 M10	2	
26	50011283	Bracket	1	
27	50011888	Hose Assembly	1	
28	00001832	Fitting, 90°	1	

9-3 Hydraulic Generator Assembly (Continued)

Item	Part Number	Description	Qty.	Remark
29	93300803	Fitting, Straight	1	
30	00005208	Fitting, Straight	1	
31	50003626	Hose Assembly	1	

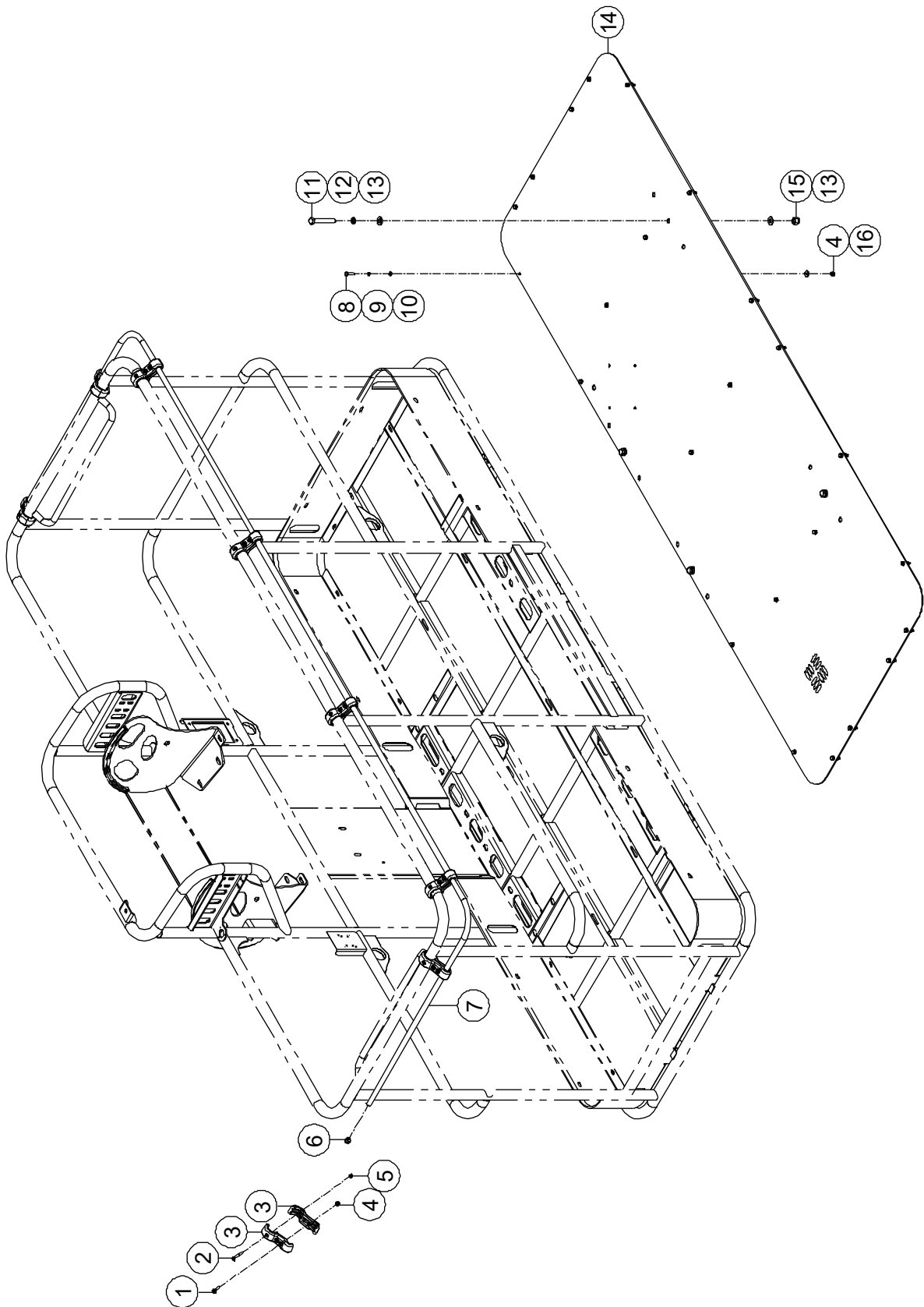
9-4 Control Valve Block



9-4 Control Valve Block

Item	Part Number	Description	Qty.	Remark
1	00003017	Nut	1	
2	00003287	Coil	1	
3	00005198	Cartridge, Solenoid Valve	1	
4	00003780	Cartridge, Relief Valve	1	
5	00005385	Body	1	
6	00008110	Cartridge, Flow Control Valve	1	
7	00001115	Plug	1	

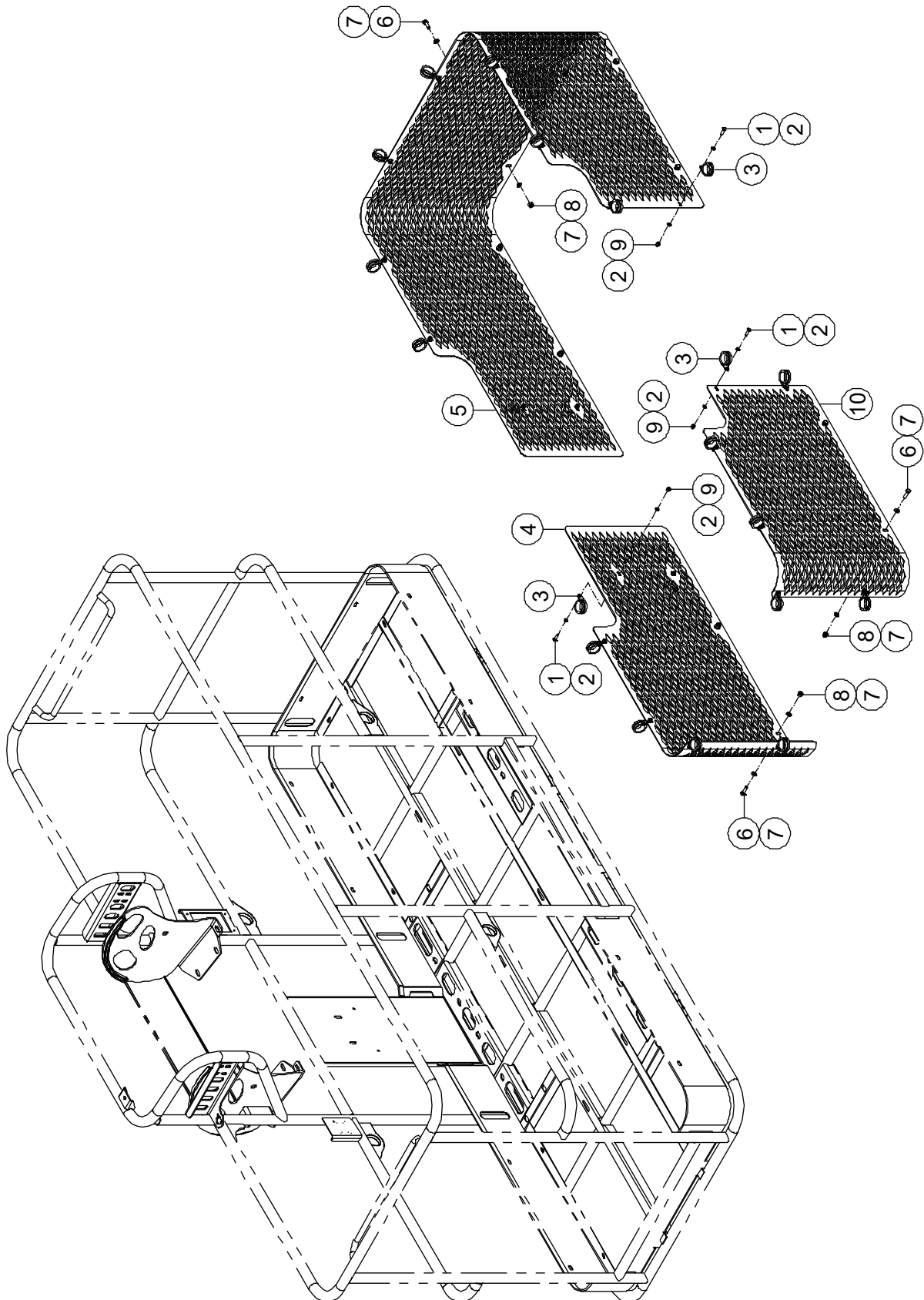
9-5 Platform Accessories 1



9-5 Platform Accessories 1

Item	Part Number	Description	Qty.	Remark
1	00001034	Screw GB/T 70 M6 × 25	16	
2	00002505	Screw GB/T 70 M5 × 50	8	
3	10007023	Pinch Guard Support	16	
4	00001033	Nut GB/T 6182 M6	40	
5	00000613	Nut GB/T 6182 M5	8	
6	92100821	Plug	2	
7	92100767	Pinch Guard	1	
8	00000619	Bolt GB/T 5783 M6 × 25	24	
9	00000621	Spring Washer GB/T 93 6	24	
10	00000620	Flat Washer GB/T 97.1 6	24	
11	00002527	Bolt GB/T 5782 M12 × 80	4	
12	00000815	Spring Washer GB/T 93 12	4	
13	00000814	Flat Washer GB/T 97.1 12	8	
14	50010125	Deck Plate	1	
15	00001249	Nut GB/T 6182 M12	4	
16	00002583	Flat Washer GB/T 96.1 6	24	

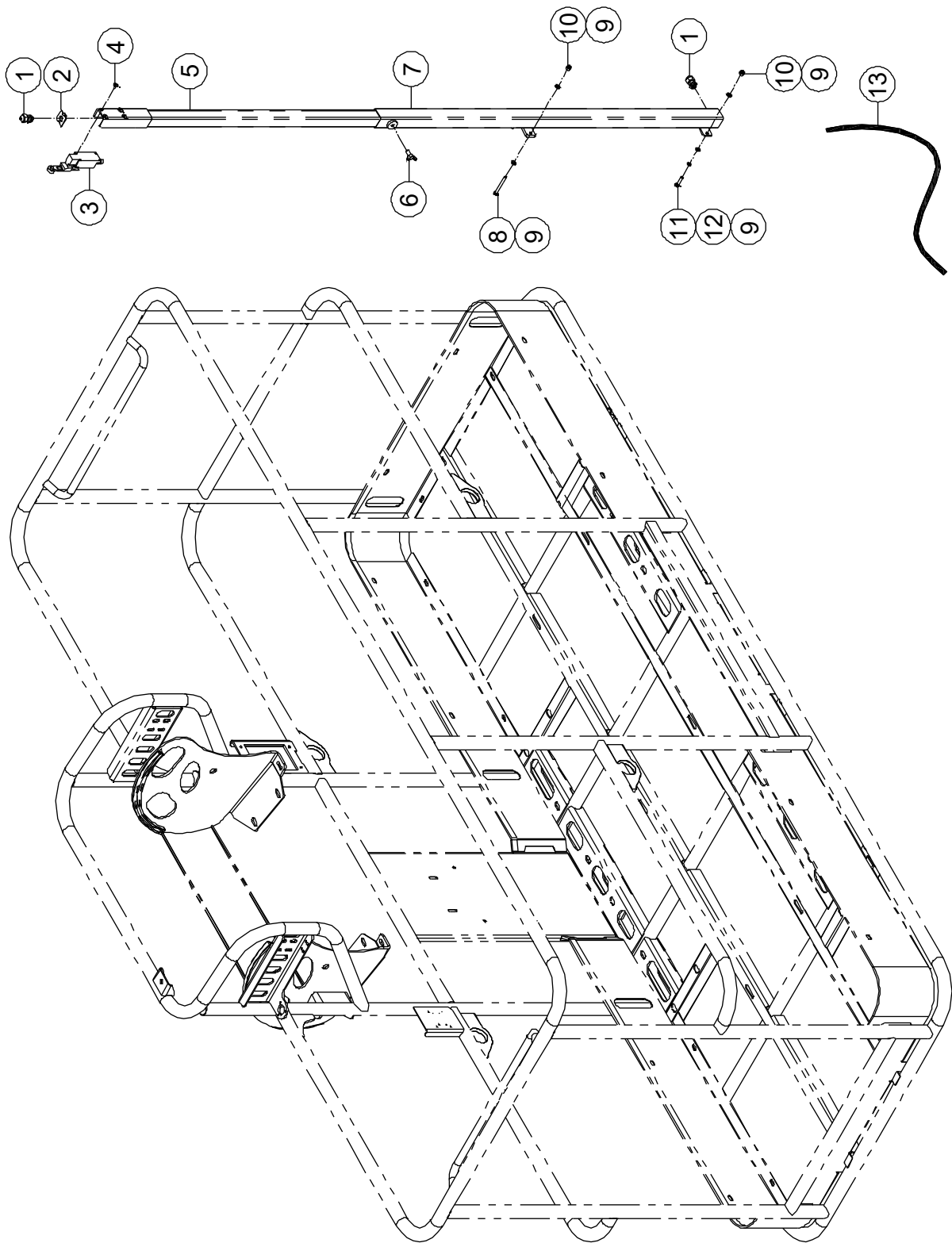
9-6 Platform Accessories 2



9-6 Platform Accessories 2

Item	Part Number	Description	Qty.	Remark
1	00000743	Bolt GB/T 5783 M6 × 20	22	
2	00000620	Flat Washer GB/T 97.1 6	44	
3	92100782	Clamp	22	
4	93000638	Panel, Half Mesh	1	
5	50011865	Panel, Half Mesh	1	
6	00000993	Bolt GB/T 5783 M8 × 25	10	
7	00000608	Flat Washer GB/T 97.1 8	20	
8	00001163	Nut GB/T 6182 M8	10	
9	00001033	Nut GB/T 6182 M6	22	
10	50011866	Panel, Half Mesh	1	

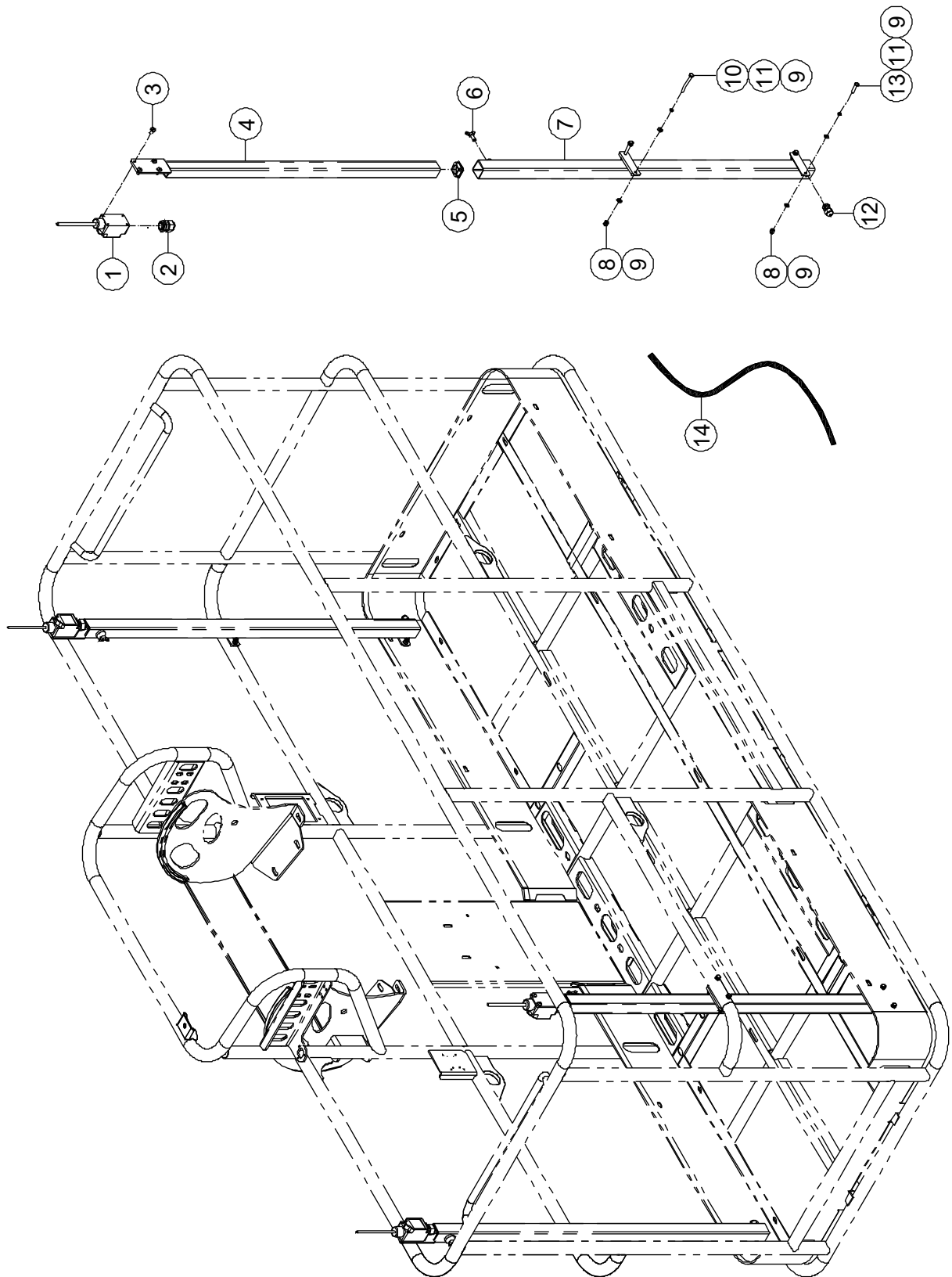
9-7 Anti-collision Device Installations 1



9-7 Anti-collision Device Installations 1

Item	Part Number	Description	Qty.	Remark
1	00001825	M12 Clamp	4	
2	10001599	Bracket, Limit Switch	2	
3	00002354	Limit Switch	2	
4	00000999	Screw GB/T 973 M5×10	8	
5	10001645	Pole	2	
6	00002586	Screw M8×16	2	
7	10001644	Pole	2	
8	00001066	Bolt GB/T 5782 M6 × 55	4	
9	00000620	Flat Washer GB/T 97.1 6	16	
10	00001033	Nut GB/T 6182 M6	8	
11	00000619	Bolt GB/T 5783 M6 × 25	4	
12	00000621	Spring Washer GB/T 93 6	8	
13	00006839	3.4m Harness	2	

9-8 Anti-collision Device Installations 2



9-8 Anti-collision Device Installations 2

Item	Part Number	Description	Qty.	Remark
1	00002606	Limit Switch	4	
2	00005080	M12 Clamp	4	
3	00001060	Screw GB/T 818 M6 × 12 - H	16	
4	10001704	Pole	4	
5	10003413	Plug	4	
6	00002586	Screw M8×16	4	
7	10001644	Pole	4	
8	00001033	Nut GB/T 6182 M6	16	
9	00000620	Flat Washer GB/T 97.1 6	32	
10	00001066	Bolt GB/T 5782 M6 × 55	8	
11	00000621	Spring Washer GB/T 93 6	16	
12	00001825	M12 Clamp	4	
13	00000619	Bolt GB/T 5783 M6 × 25	8	
14	00009366	Harness	4	

Zhejiang Dingli Machinery Co., Ltd.

No.188 Qihang Road. Deqing Zhejiang P.R.
China 313219

Tel: +86-572-8681688

Fax: +86-572-8681690

Web: www.cndingli.com

E-mail: market@cndingli.com

DINGLI