

Haulotte

GROUP

HA260PX

2420338850 - E01.08



F

Pièces de rechange



GB

Spare parts



D

Ersatzteile



NL

Onderdelen



DK

Reservedele



E

Piezas de repuesto



I

Pezzi di ricambio



P

Peças sobressalentes



S

Reservdel



SF

Varaosä



USA

Spare parts



CAN

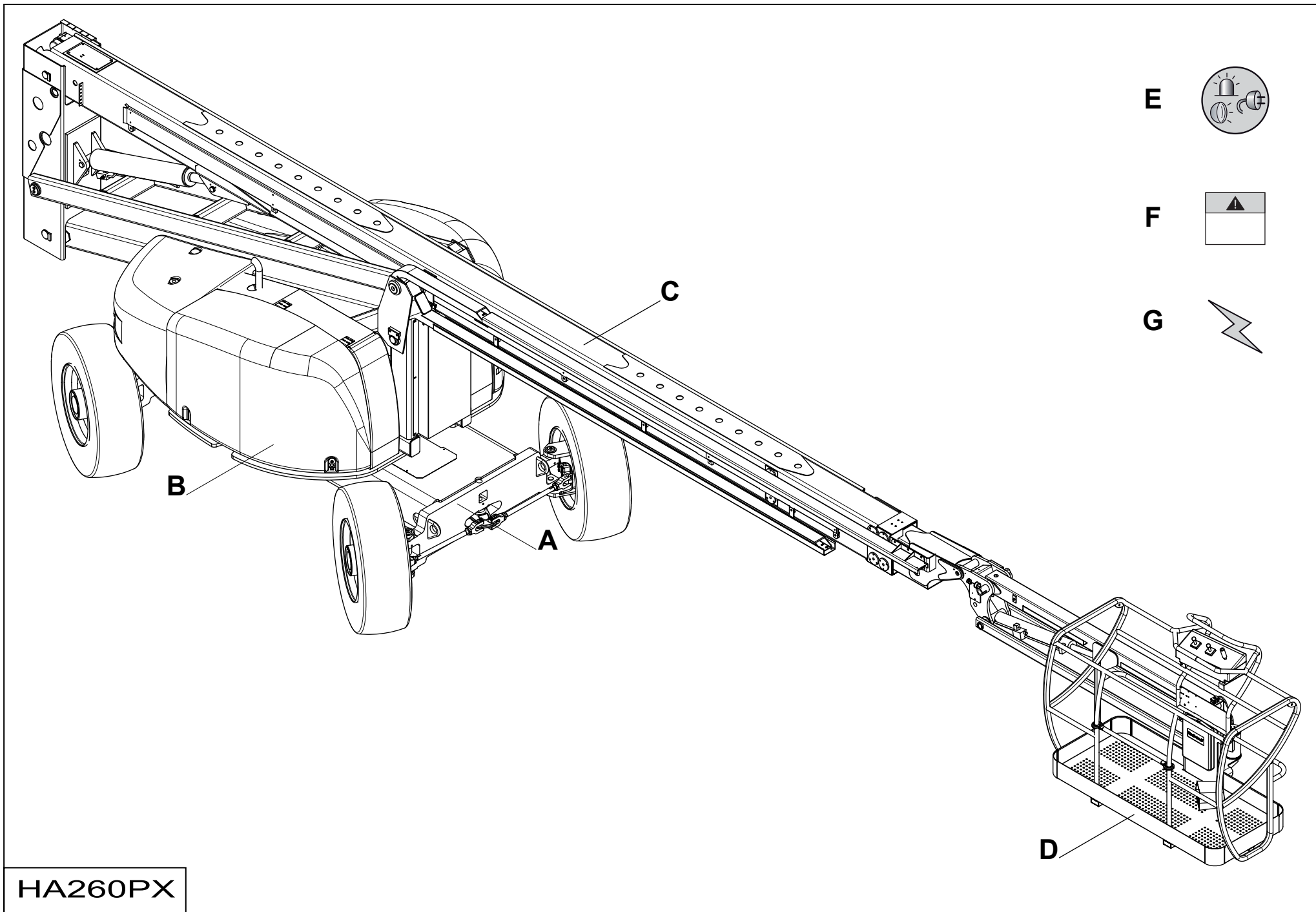
Spare parts



WWW.HAULOTTE.COM



Haulotte
GROUP

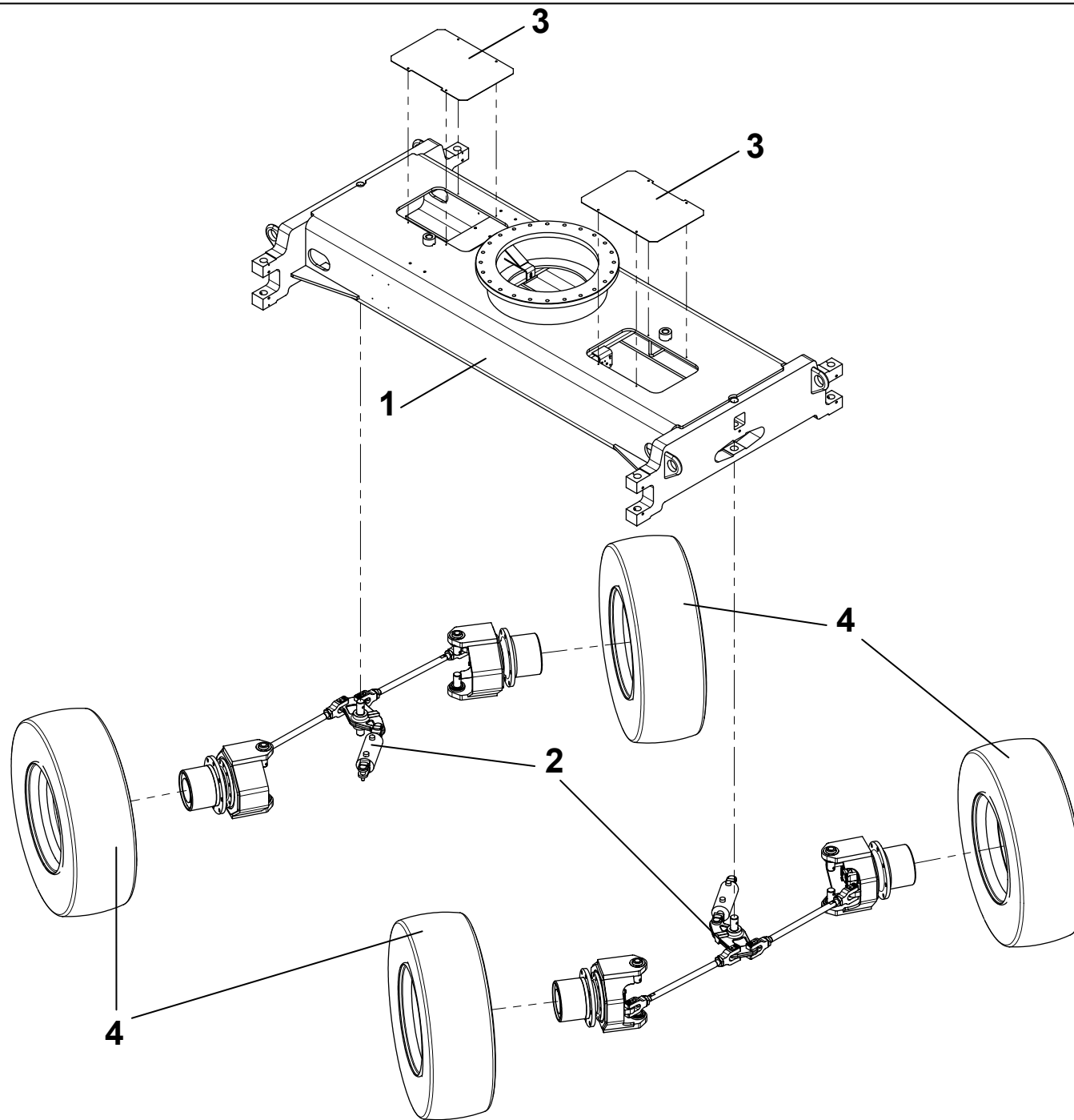



HA260PX

▲ PARTIE BASSE
BOTTOM PART

◀ **A** ▶

| Rep. | Désignation | Designation | Specification | Up to / jusqu'à |
|------|-----------------------|---------------------|---------------|-----------------|
| 1 | CHASSIS | SUB-FRAME | | |
| 2 | ESSIEU MOTO-DIRECTEUR | MOTOR GUIDING AXLE | | |
| 3 | CAPOTAGE CHÂSSIS | FRAME COWLING | | |
| 4 | ROUES | WHEELS | | |
| 5 | ELECTRICITÉ CHÂSSIS | CHASSIS ELECTRICITY | | |
| 6 | HYDRAULIQUE | HYDRAULICS | | |
| | | | | |
| | | | | |
| | | | | |
| | | | | |
| | | | | |
| | | | | |
| | | | | |
| | | | | |
| | | | | |
| | | | | |
| | | | | |
| | | | | |
| | | | | |
| | | | | |
| | | | | |
| | | | | |



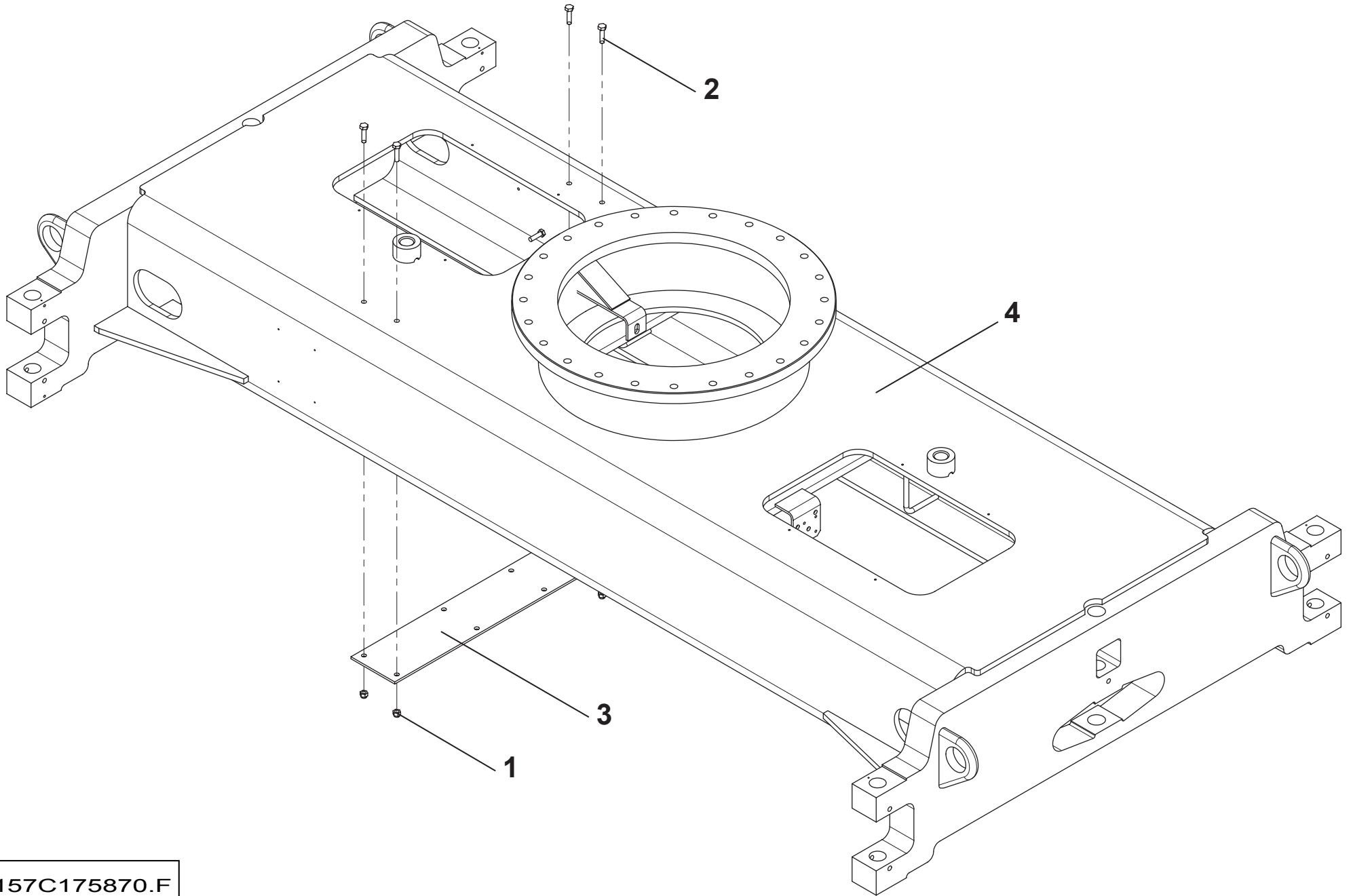
5 — 

6 — 

**▲ CHASSIS
SUB-FRAME**

◀ **A1** ▶

| Rep. | Désignation | Designation | Specification | Qty | Code | Up to / jusqu'à |
|------|--------------------------|------------------------------|-----------------------|-----|------------|-----------------|
| 1 | ECROU AUTOFREINÉ | SELF-LOCKED NUT | H FR M10 CL. 8 ZB | 4 | 2349221510 | |
| 2 | VIS | SCREW | H M10X40-26 CL.8.8 ZB | 4 | 2301231780 | |
| 3 | TÔLE SUPPORT BLOC HYDRAU | HYDRAULIC UNIT SUPPORT PLATE | | 1 | 157C175860 | |
| 4 | CHÂSSIS ROULANT | ROLLING FRAME | | 1 | 157A149900 | |
| | | | | | | |
| | | | | | | |
| | | | | | | |
| | | | | | | |
| | | | | | | |
| | | | | | | |
| | | | | | | |
| | | | | | | |
| | | | | | | |
| | | | | | | |
| | | | | | | |
| | | | | | | |
| | | | | | | |
| | | | | | | |
| | | | | | | |
| | | | | | | |
| | | | | | | |
| | | | | | | |
| | | | | | | |
| | | | | | | |

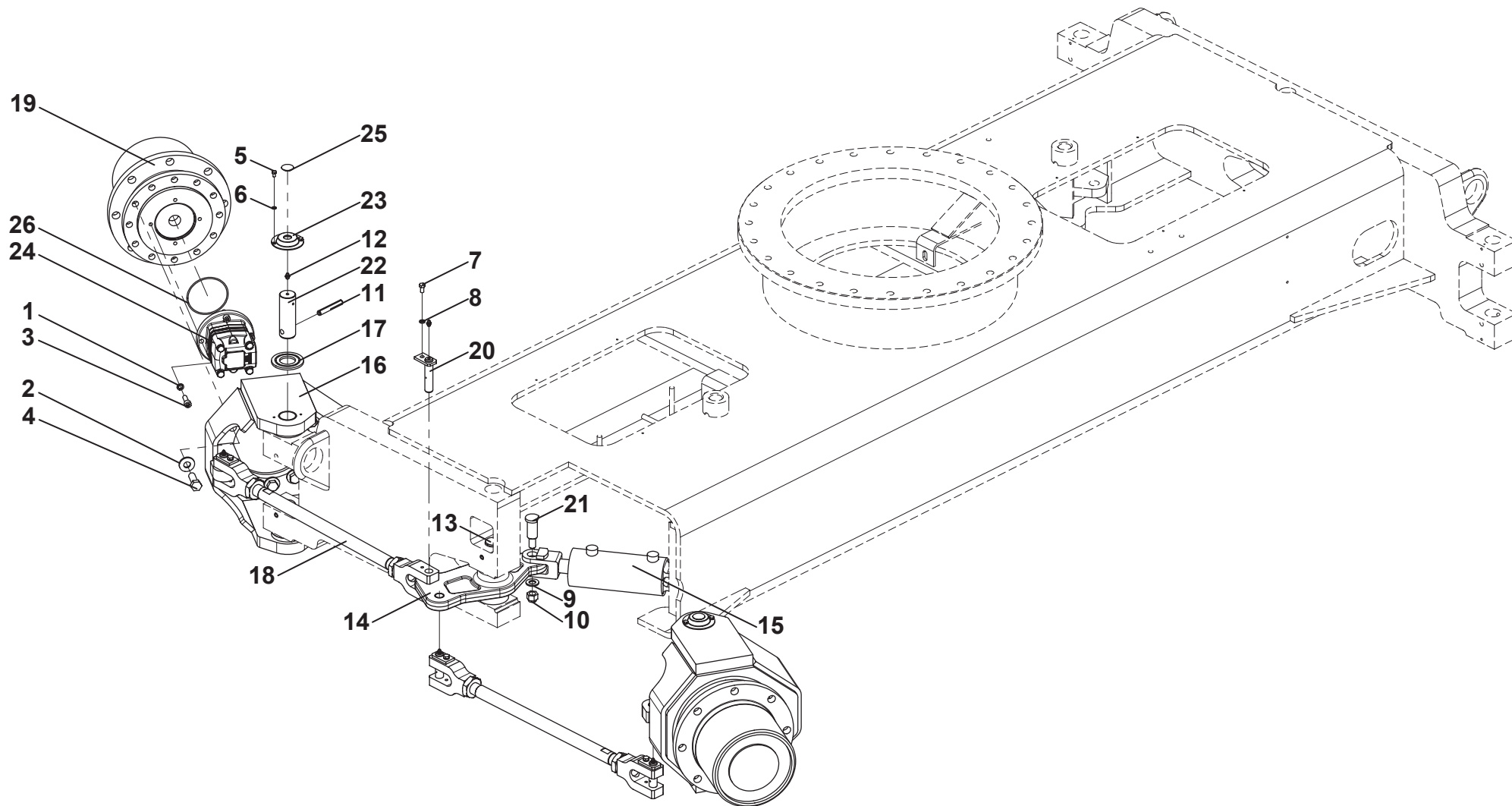


157C175870.F

▲ **ESSIEU MOTO-DIRECTEUR**
MOTOR GUIDING AXLE

◀ **A2** ▶

| Rep. | Désignation | Designation | Specification | Qty | Code | Up to / jusqu'à |
|------|--------------------------|------------------------------|--------------------------|-----|------------|-----------------|
| 1 | RONDELLE ÉLASTIQUE | RUBBER WASHER | W 10 ZB | 16 | 2351201090 | |
| 2 | RONDELLE ÉLASTIQUE CUVET | CONICAL SPRING WASHER | M16 | 44 | 2351900010 | |
| 3 | VIS | SCREW | CHC M10X30-30 CL.10.9 DC | 16 | 2338331370 | |
| 4 | VIS | SCREW | H M16X45-45 CL.8.8 ZB | 44 | 2331232270 | |
| 5 | VIS | SCREW | H M6X10-10 CL.8.8 ZB | 16 | 2331231300 | |
| 6 | RONDELLE À DENTS | TOOTH LOCK WASHER | DEC 6 ZB | 16 | 2351301070 | |
| 7 | VIS | SCREW | H M8X16-16 CL.8.8 ZB | 8 | 2331231400 | |
| 8 | RONDELLE ÉLASTIQUE | RUBBER WASHER | W 8 ZB | 8 | 2351201070 | |
| 9 | RONDELLE PLATE | FLAT WASHER | M 16 ZB | 4 | 2351112130 | |
| 10 | ECROU AUTOFREINÉ | SELF-LOCKED NUT | H FR M16 CL. 8 ZB | 4 | 2349221540 | |
| 11 | GOUPILLE ÉLASTIQUE | FLEXIBLE PIN | E 12-80 | 10 | 2352213150 | |
| 12 | GRAISSEUR STANDARD DROIT | RIGHT-HAND STANDARD LUBRICA- | M8 X 125 | 26 | 2420701540 | |
| 13 | AXE CENTRAL DE DIRECTION | DIRECTION CENTRE PIN | | 2 | 157C145420 | |
| 14 | LEVIER DE DIRECTION | DIRECTION LEVER | | 2 | 137P202700 | |
| 15 | VÉRIN DE DIRECTION | STEERING CYLINDER | DIAM 80/35 C=122 | 2 | 150B161340 | |
| 16 | PIVOT DE DIRECTION | DIRECTION PIVOT | | 4 | 150B145180 | |
| 17 | RONDELLE | WASHER | ELCO 3 Ø 80 | 8 | 1680801191 | |
| 18 | BARRE DE DIRECTION | STEERING BAR | | 4 | 150C159090 | |
| 19 | RÉDUCTEUR DE ROUE | WHEEL REDUCER | | 4 | 2427102090 | |
| 20 | AXE CHAPE DIRECTION | STEERING PIN SLOT | | 8 | 168C684830 | |
| 21 | AXE ATTACHE VÉRIN | PIN | | 4 | 168D143941 | |
| 22 | DEMI-AXE DE PIVOT | 1/2 PIVOTING AXIS | | 8 | 150C130680 | |
| 23 | CHAPEAU D'AXE | PIN COVER | | 8 | 116D147221 | |
| 24 | MOTEUR | MOTOR | S020300 | 4 | 2431203230 | |
| 25 | BOUCHON | PLUG | | 8 | 2420204450 | |
| 26 | JOINT TORIQUE | O-RING | REF 154300 | 4 | 2394901210 | |

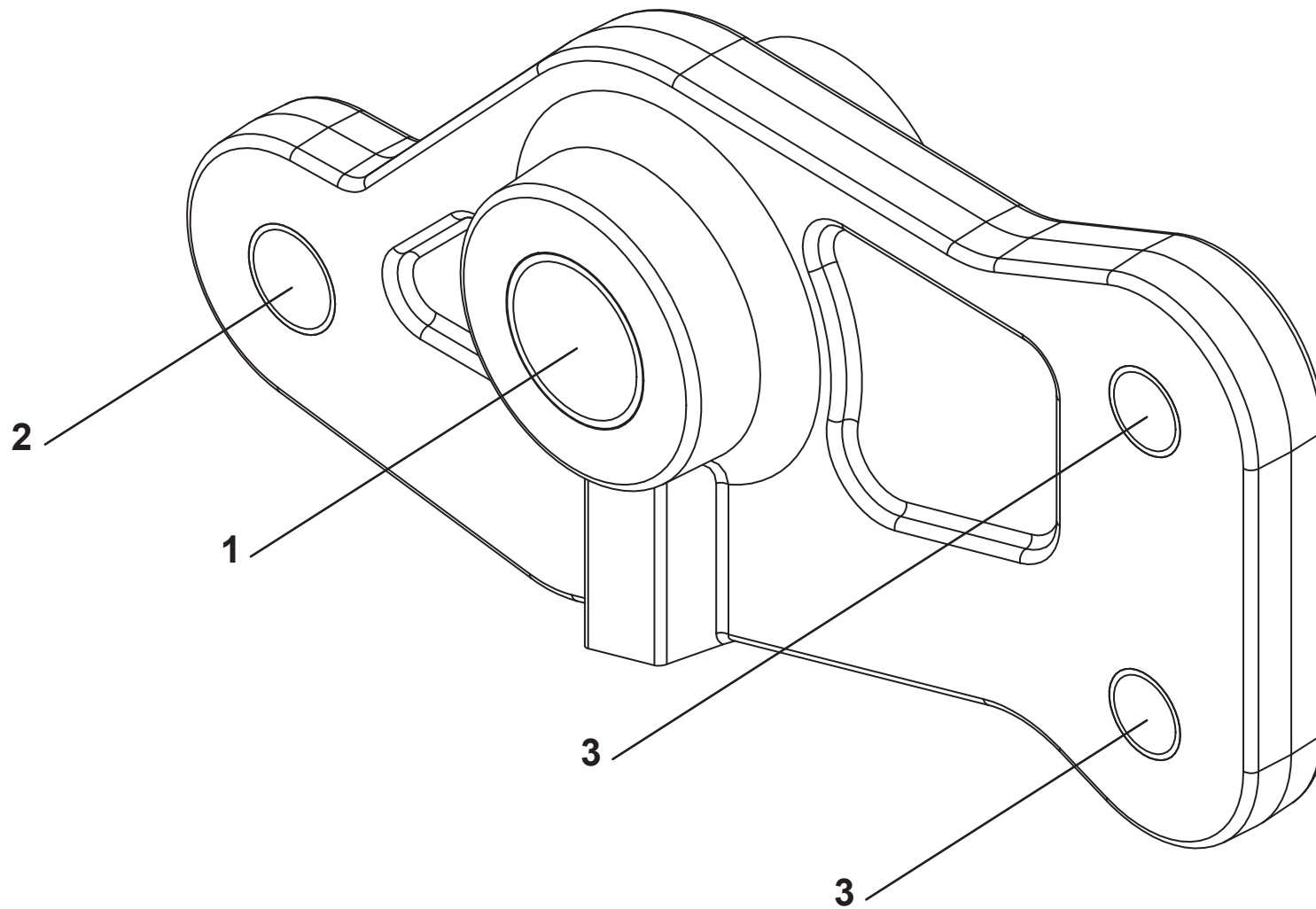


157A149910.F

▲ **LEVIER DE DIRECTION**
DIRECTION LEVER

◀ **A2-14** ▶

| Rep. | Désignation | Designation | Specification | Qty | Code | Up to / jusqu'à |
|------|--------------|-------------|---------------|-----|------------|-----------------|
| 1 | <i>BAGUE</i> | <i>RING</i> | | 2 | 2390150500 | |
| 2 | <i>BAGUE</i> | <i>RING</i> | | 1 | 2390150270 | |
| 3 | <i>BAGUE</i> | <i>RING</i> | | 2 | 2390150520 | |
| | | | | | | |
| | | | | | | |
| | | | | | | |
| | | | | | | |
| | | | | | | |
| | | | | | | |
| | | | | | | |
| | | | | | | |
| | | | | | | |
| | | | | | | |
| | | | | | | |
| | | | | | | |
| | | | | | | |
| | | | | | | |
| | | | | | | |
| | | | | | | |
| | | | | | | |
| | | | | | | |
| | | | | | | |

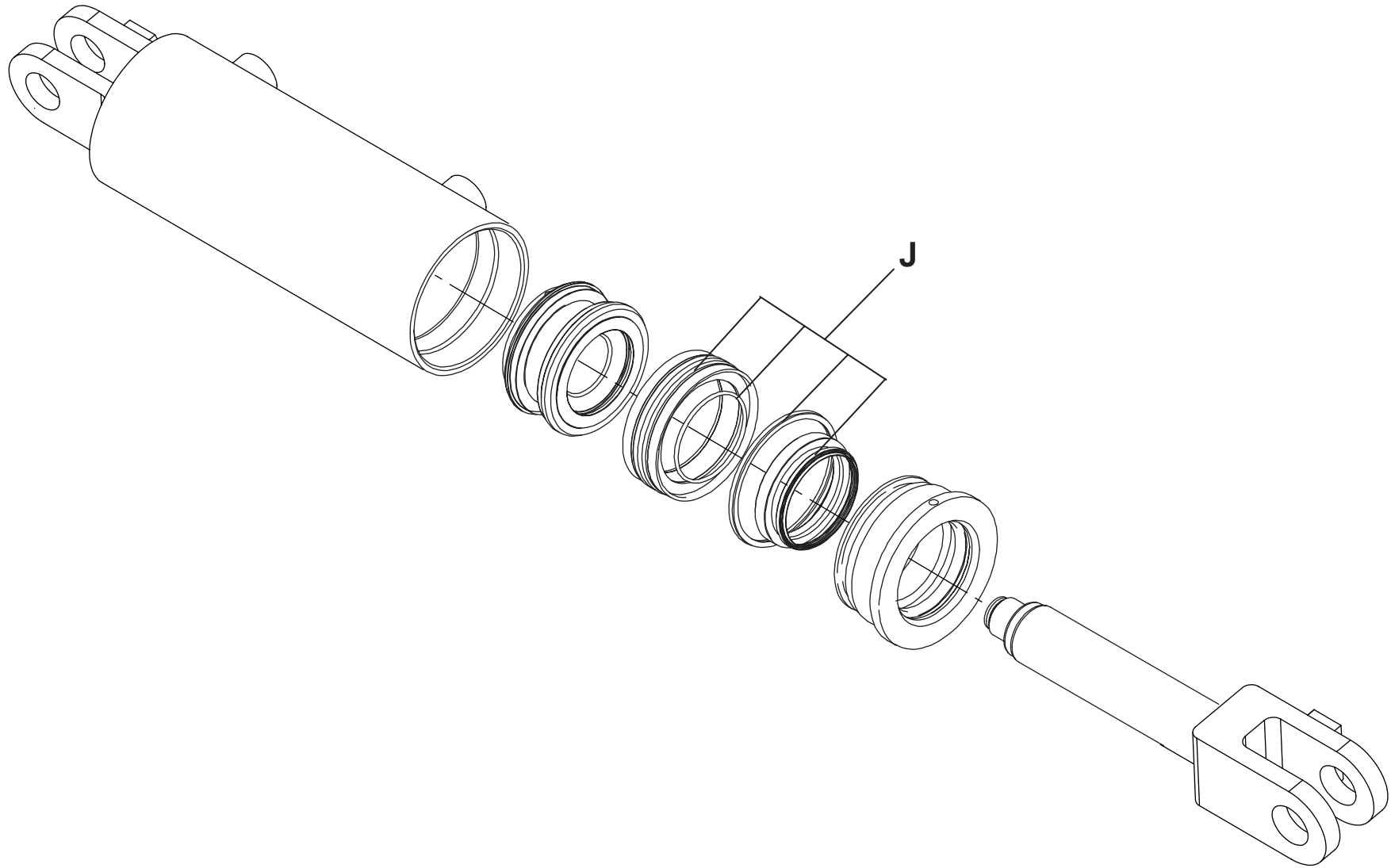


137P202700.D

**▲ VÉRIN DE DIRECTION
STEERING CYLINDER**

◀ A2-15 ▶

| Rep. | Désignation | Designation | Specification | Qty | Code | Up to / jusqu'à |
|----------|---------------------------|---------------------|---------------|----------|-------------------|-----------------|
| <i>J</i> | <i>POCHETTE DE JOINTS</i> | <i>BAG OF SEALS</i> | | <i>1</i> | <i>2421693480</i> | |
| | | | | | | |
| | | | | | | |
| | | | | | | |
| | | | | | | |
| | | | | | | |
| | | | | | | |
| | | | | | | |
| | | | | | | |
| | | | | | | |
| | | | | | | |
| | | | | | | |
| | | | | | | |
| | | | | | | |
| | | | | | | |
| | | | | | | |
| | | | | | | |
| | | | | | | |
| | | | | | | |
| | | | | | | |
| | | | | | | |
| | | | | | | |
| | | | | | | |
| | | | | | | |
| | | | | | | |

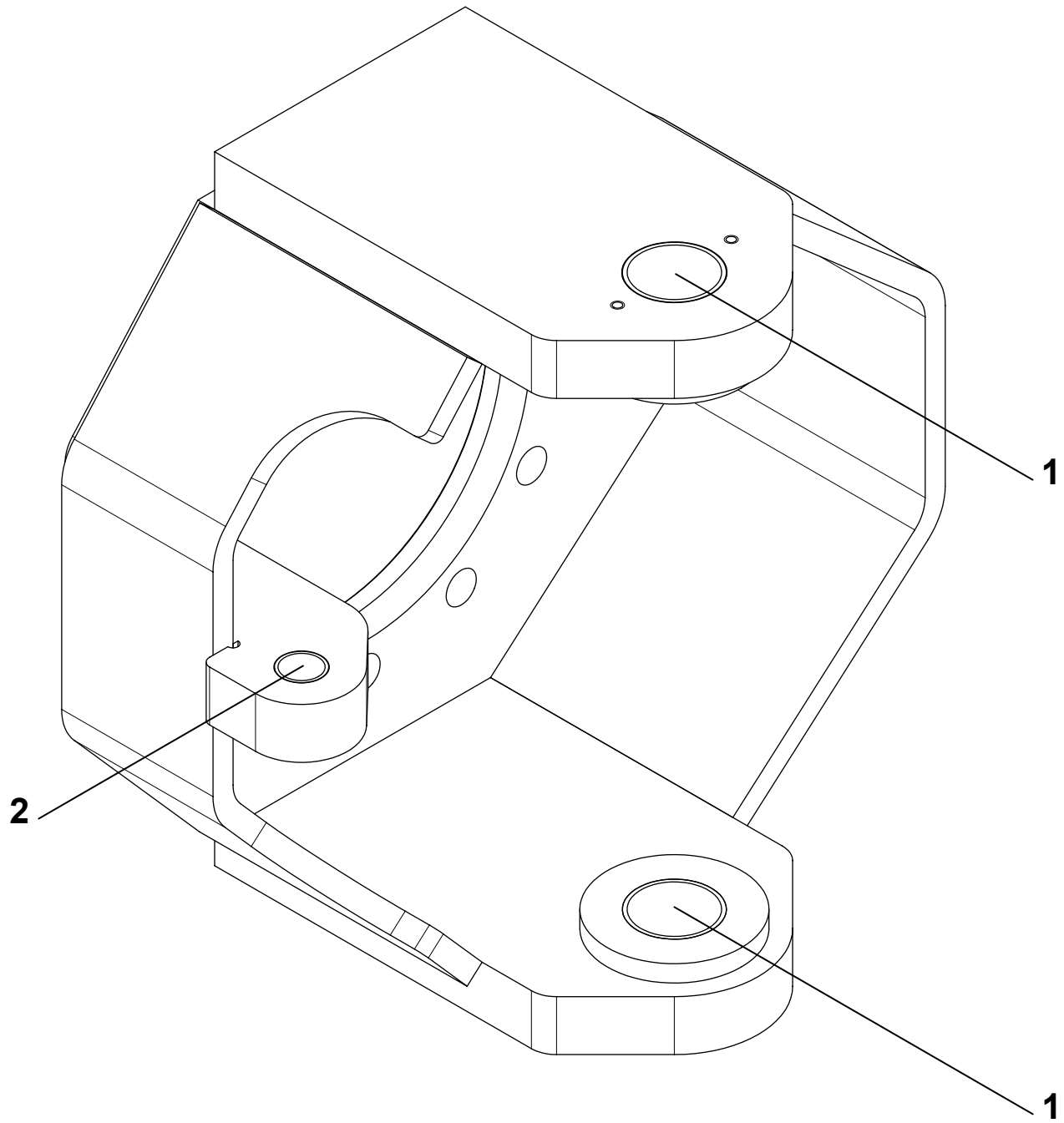


150B161340.A

▲ PIVOT DE DIRECTION
DIRECTION PIVOT

◀ A2-16 ▶

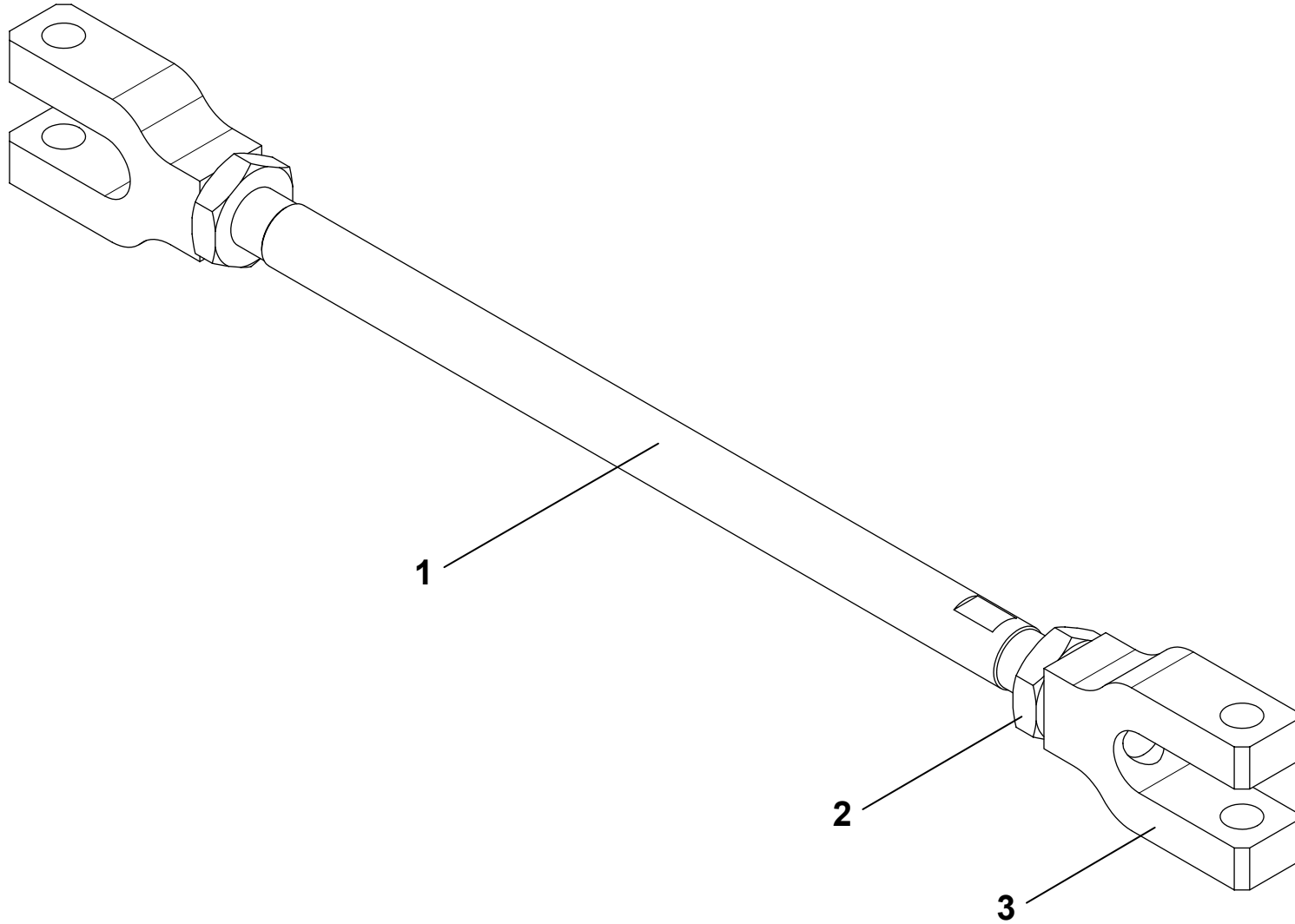
| Rep. | Désignation | Designation | Specification | Qty | Code | Up to / jusqu'à |
|------|--------------|-------------|---------------|-----|------------|-----------------|
| 1 | <i>BAGUE</i> | <i>RING</i> | | 2 | 2390150500 | |
| 2 | <i>BAGUE</i> | <i>RING</i> | | 1 | 2390150600 | |
| | | | | | | |
| | | | | | | |
| | | | | | | |
| | | | | | | |
| | | | | | | |
| | | | | | | |
| | | | | | | |
| | | | | | | |
| | | | | | | |
| | | | | | | |
| | | | | | | |
| | | | | | | |
| | | | | | | |
| | | | | | | |
| | | | | | | |
| | | | | | | |
| | | | | | | |
| | | | | | | |



150B145180.E

**▲ BARRE DE DIRECTION
STEERING BAR**

| Rep. | Désignation | Designation | Specification | Qty | Code | Up to / jusqu'à |
|------|---------------------------------|-------------------------------|---------------|-----|------------|-----------------|
| 1 | <i>BARRE DE DIRECTION</i> | <i>STEERING BAR</i> | | 1 | 150C130660 | |
| 2 | <i>ECROU BAS HM30 PAS 200</i> | <i>THIN NUT</i> | | 2 | 234I22I270 | |
| 3 | <i>CHAPE COMMANDE DE DIRECT</i> | <i>DIRECTION CONTROL SLOT</i> | | 2 | 150C133940 | |
| | | | | | | |
| | | | | | | |
| | | | | | | |
| | | | | | | |
| | | | | | | |
| | | | | | | |
| | | | | | | |
| | | | | | | |
| | | | | | | |
| | | | | | | |
| | | | | | | |
| | | | | | | |
| | | | | | | |
| | | | | | | |
| | | | | | | |
| | | | | | | |
| | | | | | | |
| | | | | | | |
| | | | | | | |
| | | | | | | |
| | | | | | | |
| | | | | | | |
| | | | | | | |
| | | | | | | |
| | | | | | | |
| | | | | | | |
| | | | | | | |
| | | | | | | |
| | | | | | | |
| | | | | | | |

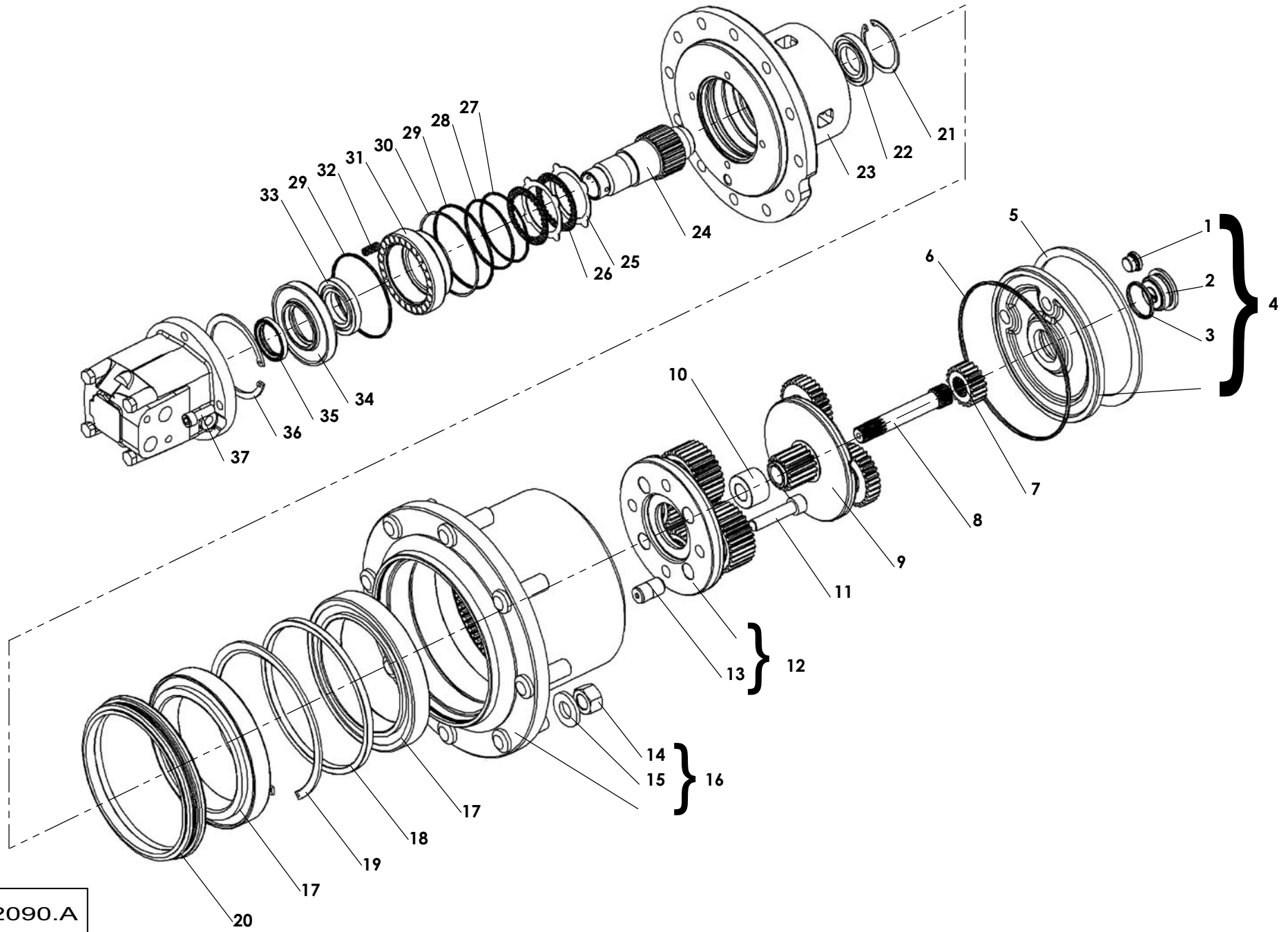


150C159090.A

▲ **RÉDUCTEUR DE ROUE**
WHEEL REDUCER

◀ **A2-19** ▶
1/2

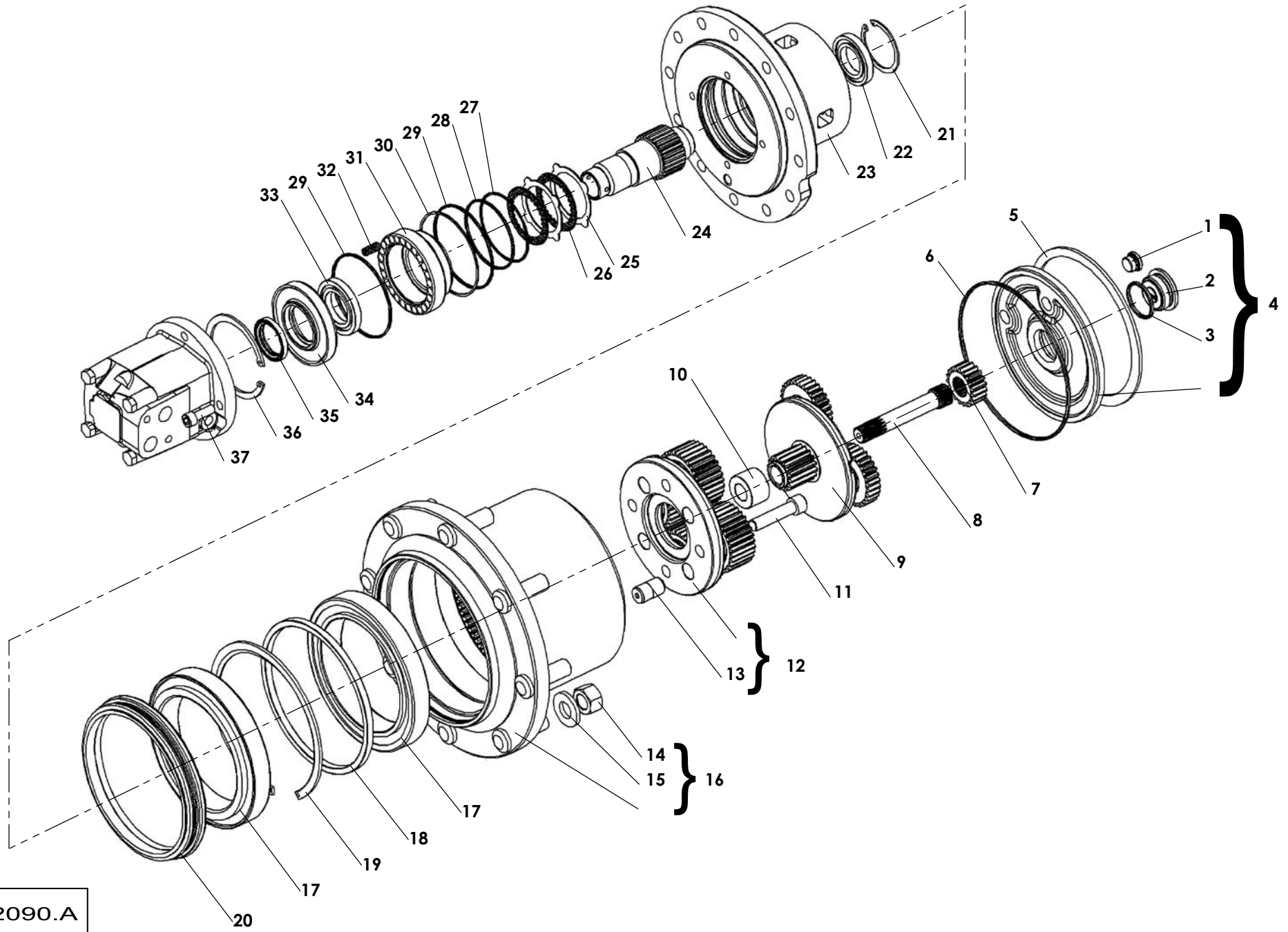
| Rep. | Désignation | Designation | Specification | Qty | Code | Up to / jusqu'à |
|------|-------------------|---------------|---------------|-----|------------|-----------------|
| 1 | BOUCHON | PLUG | | 2 | 2325001350 | |
| 2 | BOUCHON | PLUG | | 1 | 2325001360 | |
| 3 | JOINT | SEAL | | 1 | 2399003830 | |
| 4 | COUVERCLE | COVER | | 1 | 2325001370 | |
| 5 | ANNEAU ÉLASTIQUE | RUBBER RING | | 1 | 2479001100 | |
| 6 | ANNEAU ÉLASTIQUE | RUBBER RING | | 1 | 2399003820 | |
| 7 | ENGRENAGE CENTRAL | CENTRE GEAR | | 1 | 2420507060 | |
| 8 | ARBRE CANNELÉ | SPLINED SHAFT | | 1 | 2325001380 | |
| 9 | RÉDUCTION | REDUCTION | | 1 | 2325001390 | |
| 10 | ENTRETOISE | BRACE | | 1 | 2325001400 | |
| 11 | VIS | SCREW | | 4 | 2330002790 | |
| 12 | RÉDUCTION | REDUCTION | | 1 | 2325001410 | |
| 13 | AXE | PIN | | 4 | 2325001420 | |
| 14 | ECROU | NUT | | 8 | 2325001430 | |
| 15 | RONDELLE | WASHER | | 8 | 2325001440 | |
| 16 | CARTER | CASING | | 1 | 2325001450 | |
| 17 | ROULEMENT | BEARING | | 2 | 2325001460 | |
| 18 | ENTRETOISE | BRACE | | 1 | 2325001470 | |
| 19 | ANNEAU ÉLASTIQUE | RUBBER RING | | 1 | 2325001480 | |
| 20 | JOINT | SEAL | | 1 | 2399002310 | |
| 21 | ANNEAU ÉLASTIQUE | RUBBER RING | | 1 | 2325001490 | |
| 22 | ROULEMENT | BEARING | | 1 | 2325001500 | |
| 23 | MOYEU | HUB | | 1 | 2325001510 | |
| 24 | ARBRE DE FREIN | BRAKE SHAFT | | 1 | 2325001520 | |
| 25 | DISQUE ACIER | STEEL DISC | | 8 | 2325001530 | |
| 26 | DISQUE FRITTÉ | SINTERED DISC | | 8 | 2325000400 | |



2427102090.A

▲ **RÉDUCTEUR DE ROUE**
WHEEL REDUCER

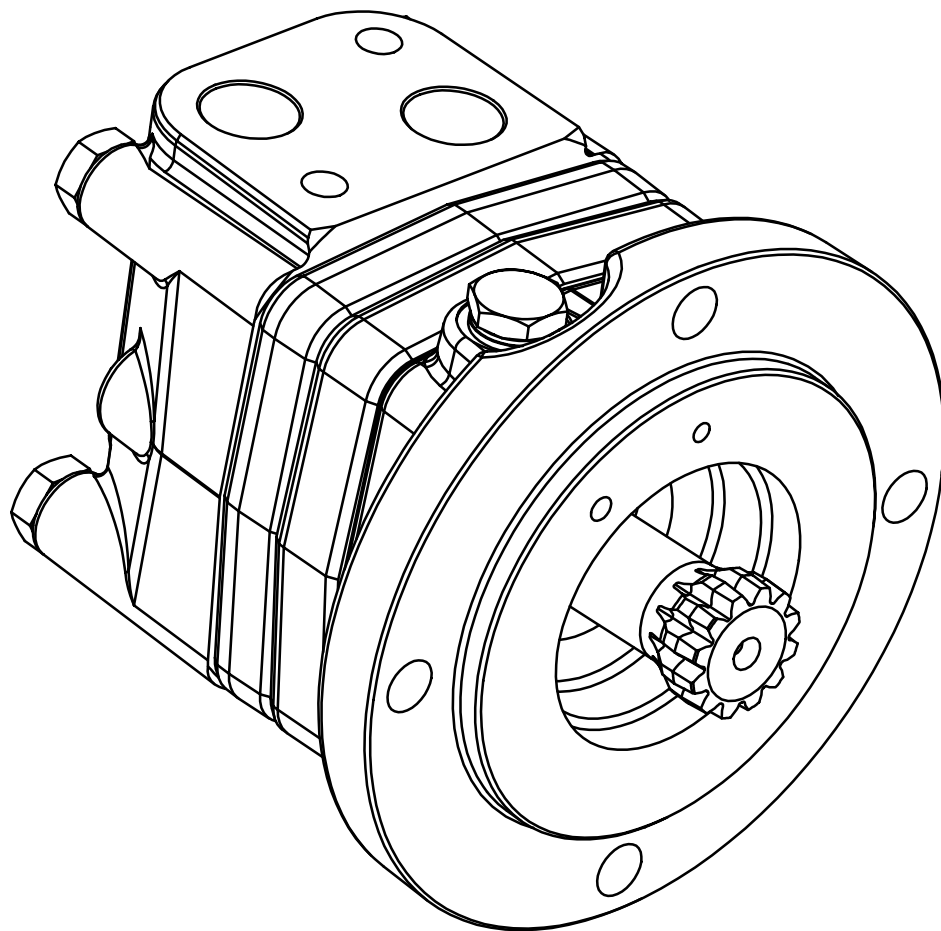
| Rep. | Désignation | Designation | Specification | Qty | Code | Up to / jusqu'à |
|------|---------------------------|---------------------|---------------|-----|------------|-----------------|
| 27 | <i>ANNEAU SPIRAL</i> | <i>SPIRAL RING</i> | | 1 | 2420105450 | |
| 28 | <i>JOINT TORIQUE</i> | <i>O-RING</i> | | 1 | 2421003730 | |
| 29 | <i>JOINT TORIQUE</i> | <i>O-RING</i> | | 1 | 2325000870 | |
| 30 | <i>ANNEAU SPIRAL</i> | <i>SPIRAL RING</i> | | 1 | 2325000880 | |
| 31 | <i>PISTON</i> | <i>PISTON</i> | | 1 | 2325001540 | |
| 32 | <i>RESSORT</i> | <i>SPRING</i> | | 22 | 2325000900 | |
| 33 | <i>ROULEMENT</i> | <i>BEARING</i> | | 1 | 2325001550 | |
| 34 | <i>SUPPORT</i> | <i>HOLDER</i> | | 1 | 2325001560 | |
| 35 | <i>JOINT D'ÉTANCHÉITÉ</i> | <i>SEALING RING</i> | | 1 | 2325001570 | |
| 36 | <i>ANNEAU ÉLASTIQUE</i> | <i>RUBBER RING</i> | | 1 | 2325001580 | |
| 37 | <i>VIS</i> | <i>SCREW</i> | | 4 | 2325000740 | |
| | | | | | | |
| | | | | | | |
| | | | | | | |
| | | | | | | |
| | | | | | | |
| | | | | | | |
| | | | | | | |
| | | | | | | |
| | | | | | | |
| | | | | | | |
| | | | | | | |
| | | | | | | |
| | | | | | | |
| | | | | | | |
| | | | | | | |
| | | | | | | |
| | | | | | | |
| | | | | | | |
| | | | | | | |
| | | | | | | |
| | | | | | | |
| | | | | | | |
| | | | | | | |
| | | | | | | |



2427102090.A

▲ **MOTEUR**
MOTOR

| Rep. | Désignation | Designation | Specification | Qty | Code | Up to / jusqu'à |
|------|--------------------|--------------|---------------|-----|------------|-----------------|
| J | POCHETTE DE JOINTS | BAG OF SEALS | | 1 | 2421692490 | |
| | | | | | | |
| | | | | | | |
| | | | | | | |
| | | | | | | |
| | | | | | | |
| | | | | | | |
| | | | | | | |
| | | | | | | |
| | | | | | | |
| | | | | | | |
| | | | | | | |
| | | | | | | |
| | | | | | | |
| | | | | | | |
| | | | | | | |
| | | | | | | |
| | | | | | | |
| | | | | | | |
| | | | | | | |
| | | | | | | |
| | | | | | | |
| | | | | | | |
| | | | | | | |



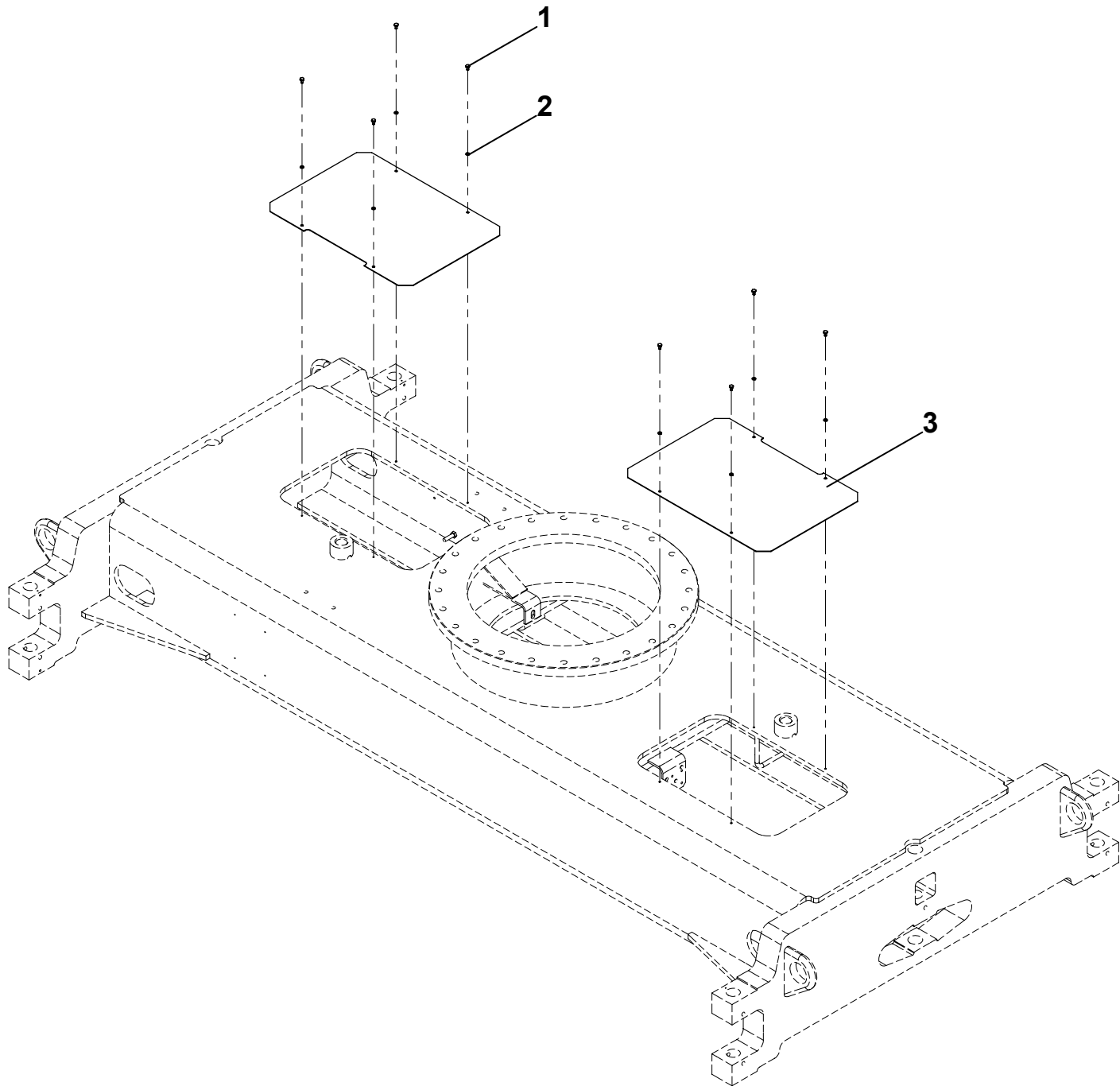
J



2431203230.B

**▲ CAPOTAGE CHÂSSIS
FRAME COWLING**

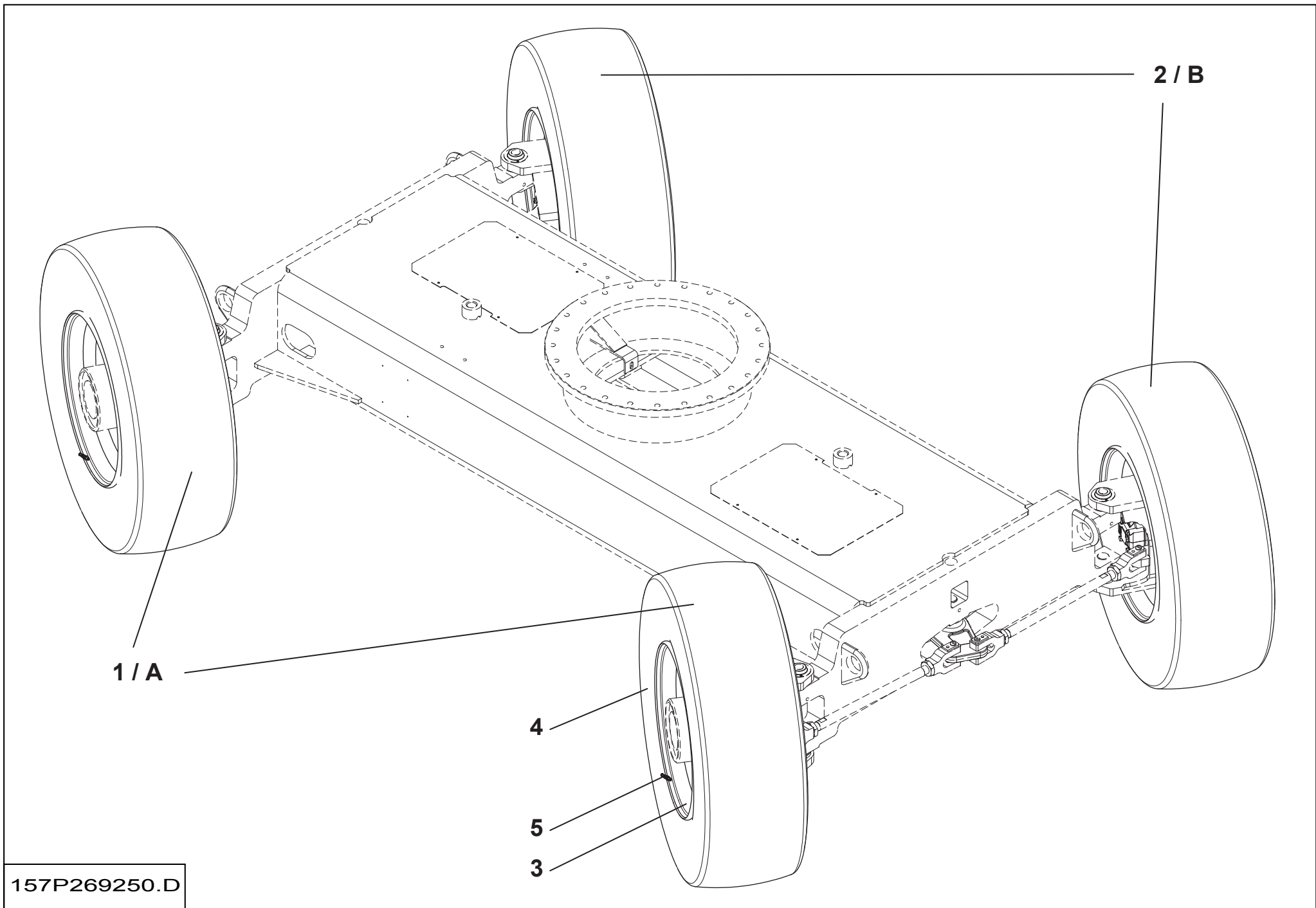
| Rep. | Désignation | Designation | Specification | Qty | Code | Up to / jusqu'à |
|------|--------------------------|---------------------|----------------------|-----|------------|-----------------|
| 1 | VIS | SCREW | H M6X10-10 CL.8.8 ZB | 8 | 2331231300 | |
| 2 | RONDELLE ÉLASTIQUE | RUBBER WASHER | W 6 ZB | 8 | 2351201050 | |
| 3 | CAPOT SUR CHASSIS ROULAN | ROLLING FRAME COVER | | 2 | 157C145431 | |
| | | | | | | |
| | | | | | | |
| | | | | | | |
| | | | | | | |
| | | | | | | |
| | | | | | | |
| | | | | | | |
| | | | | | | |
| | | | | | | |
| | | | | | | |
| | | | | | | |
| | | | | | | |
| | | | | | | |
| | | | | | | |
| | | | | | | |
| | | | | | | |
| | | | | | | |
| | | | | | | |
| | | | | | | |
| | | | | | | |
| | | | | | | |



157C145450.C

▲ **ROUES**
WHEELS

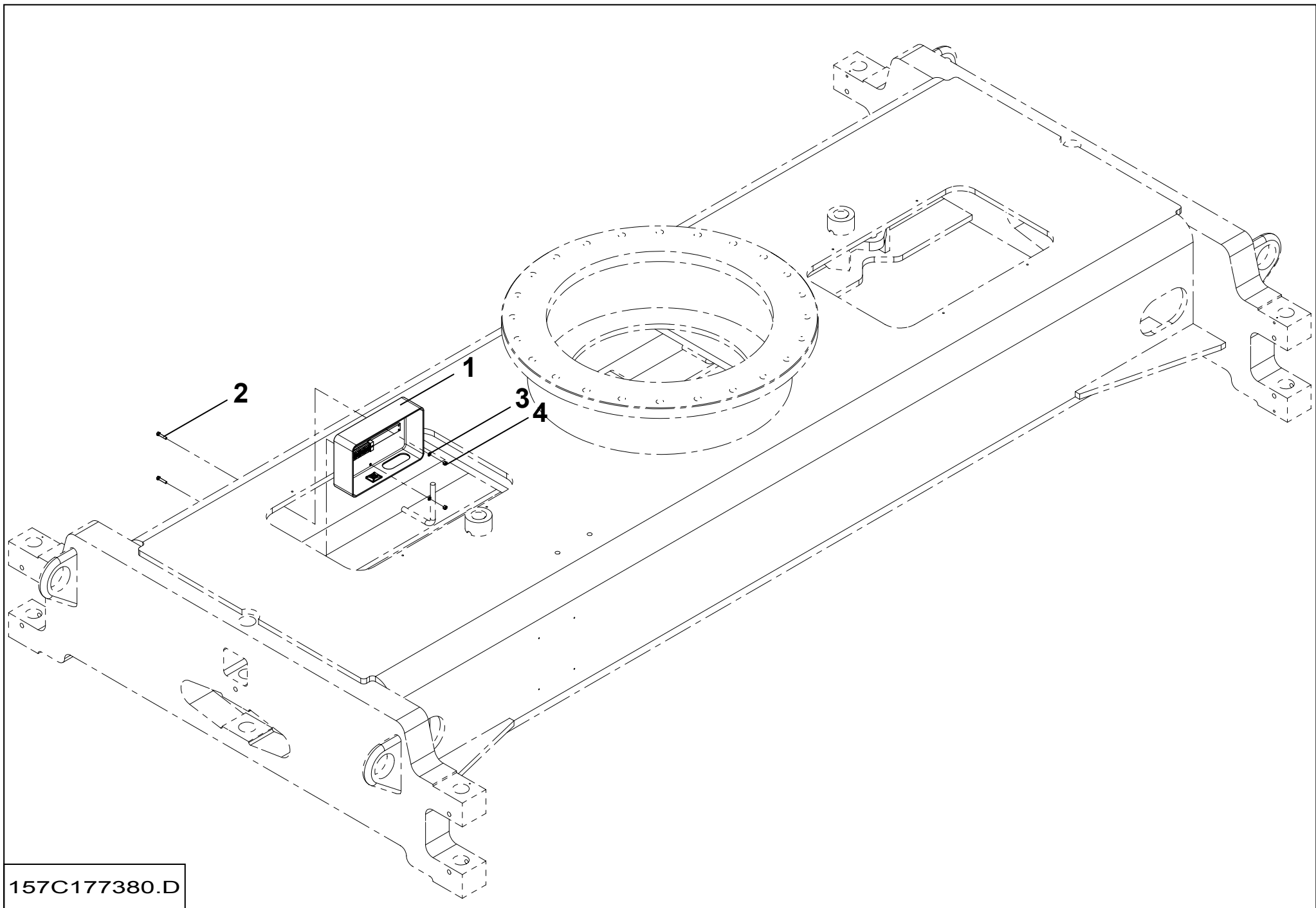
| Rep. | Désignation | Designation | Specification | Qty | Code | Up to / jusqu'à |
|----------|--------------------------------|----------------------|---------------------|-----|--------------------|-----------------|
| 1 | ROUE DROITE | RIGHT WHEEL | | 2 | 148B168430 | |
| 3 | <i>JANTE</i> | <i>RIM</i> | <i>22,5 X 11,75</i> | 2 | <i>2601002100</i> | |
| 4 | <i>PNEU</i> | <i>TIRE</i> | <i>385/65-22,5</i> | 2 | <i>2601602890</i> | |
| 5 | <i>VALVE VISSÉE</i> | <i>SCREWED VALVE</i> | <i>TR 618 OU</i> | 2 | <i>2602201090</i> | |
| <i>A</i> | <i>REPL MOUS. POLYURÉTHANE</i> | <i>FOAM FILLING</i> | | 2 | <i>E2601803190</i> | |
| 2 | ROUE GAUCHE | LEFT WHEEL | | 2 | 148B168440 | |
| 3 | <i>JANTE</i> | <i>RIM</i> | <i>22,5 X 11,75</i> | 2 | <i>2601002100</i> | |
| 4 | <i>PNEU</i> | <i>TIRE</i> | <i>385/65-22,5</i> | 2 | <i>2601602890</i> | |
| 5 | <i>VALVE VISSÉE</i> | <i>SCREWED VALVE</i> | <i>TR 618 OU</i> | 2 | <i>2602201090</i> | |
| <i>B</i> | <i>REPL MOUS. POLYURÉTHANE</i> | <i>FOAM FILLING</i> | | 2 | <i>E2601803180</i> | |
| | | | | | | |
| | | | | | | |
| | | | | | | |
| | | | | | | |
| | | | | | | |
| | | | | | | |
| | | | | | | |
| | | | | | | |
| | | | | | | |
| | | | | | | |
| | | | | | | |
| | | | | | | |
| | | | | | | |
| | | | | | | |
| | | | | | | |
| | | | | | | |
| | | | | | | |
| | | | | | | |
| | | | | | | |
| | | | | | | |
| | | | | | | |
| | | | | | | |
| | | | | | | |
| | | | | | | |
| | | | | | | |
| | | | | | | |
| | | | | | | |
| | | | | | | |
| | | | | | | |
| | | | | | | |
| | | | | | | |
| | | | | | | |
| | | | | | | |
| | | | | | | |
| | | | | | | |



157P269250.D

▲ **ELECTRICITÉ CHÂSSIS**
CHASSIS ELECTRICITY

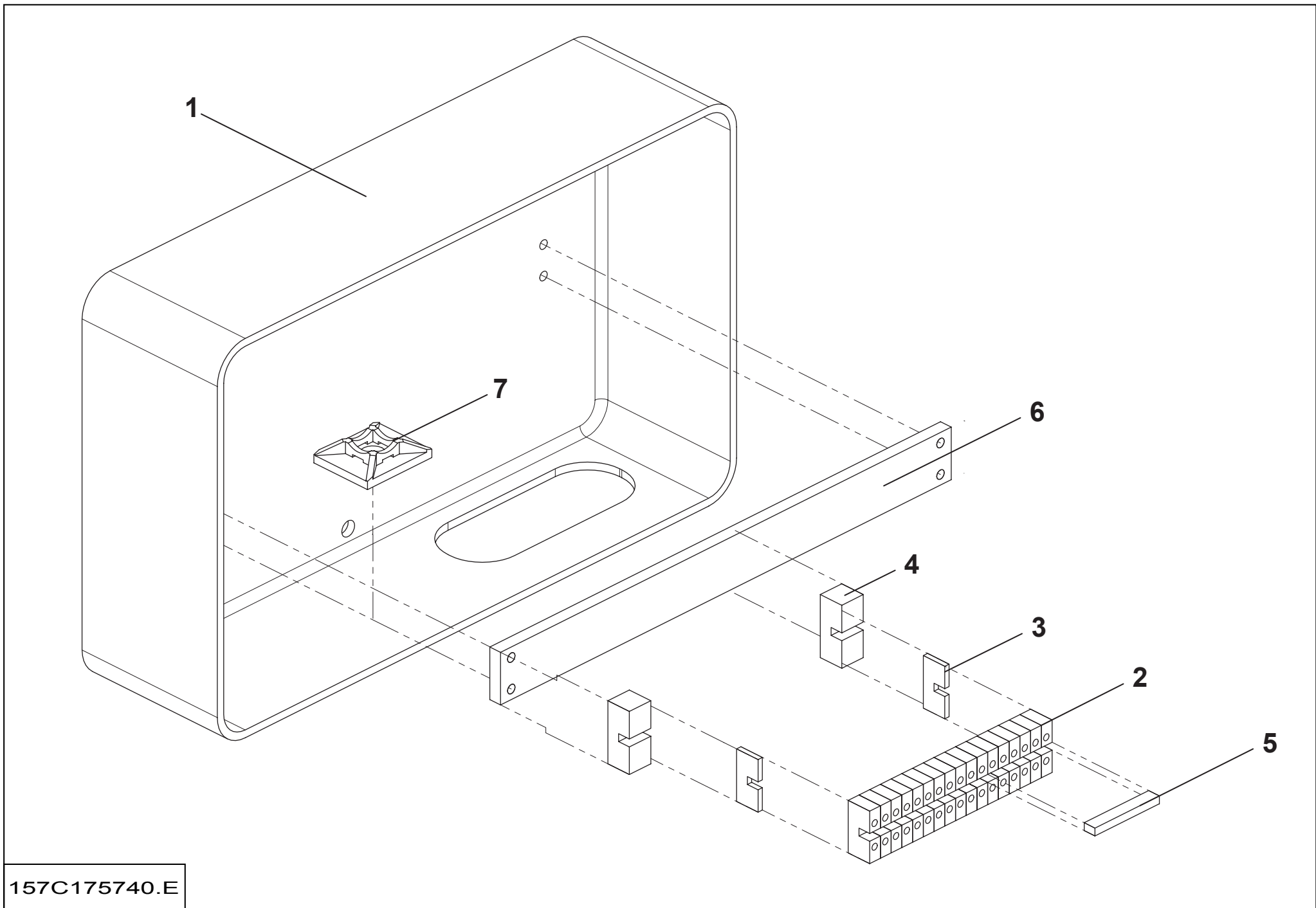
| Rep. | Désignation | Designation | Specification | Qty | Code | Up to / jusqu'à |
|------|----------------------|-------------------|----------------------|-----|------------|-----------------|
| 1 | ENS. COFFRET CHÂSSIS | CHASSIS BOX UNIT | | 1 | 157C175740 | |
| 2 | VIS | SCREW | H M5X25-25 CL.8.8 ZB | 2 | 2331231230 | |
| 3 | RONDELLE À DENTS | TOOTH LOCK WASHER | DEC 5 ZB | 2 | 2351301060 | |
| 4 | ECROU | NUT | H M5 CL. 8 ZB | 2 | 2341221040 | |
| | | | | | | |
| | | | | | | |
| | | | | | | |
| | | | | | | |
| | | | | | | |
| | | | | | | |
| | | | | | | |
| | | | | | | |
| | | | | | | |
| | | | | | | |
| | | | | | | |
| | | | | | | |
| | | | | | | |
| | | | | | | |
| | | | | | | |
| | | | | | | |
| | | | | | | |
| | | | | | | |
| | | | | | | |
| | | | | | | |
| | | | | | | |



157C177380.D

▲ **ENS. COFFRET CHÂSSIS**
CHASSIS BOX UNIT

| Rep. | Désignation | Designation | Specification | Qty | Code | Up to / jusqu'à |
|------|--------------------------------|-----------------------------|-----------------|-----|------------|-----------------|
| 1 | <i>PERÇAGE COFFRET CHÂSSIS</i> | <i>CHASSIS BOX DRILLING</i> | | 1 | 157B145590 | |
| 2 | <i>BORNE DE 4MM² AU PAS DE</i> | <i>TERMINAL</i> | | 17 | 2440202670 | |
| 3 | <i>FLASQUE POUR BORNE</i> | <i>COVER</i> | | 2 | 2420605990 | |
| 4 | <i>BUTÉE D'ARRÊT</i> | <i>STOP</i> | | 2 | 2420212120 | |
| 5 | <i>SHUNT POUR BORNE</i> | <i>SHUNT</i> | | 1 | 2441906220 | |
| 6 | <i>RAIL SYMÉTRIQUE</i> | <i>RAIL</i> | <i>35X7.5 L</i> | 1 | 2421809540 | |
| 7 | <i>SOCLE ADHÉSIF</i> | <i>ADHESIVE BASE</i> | | 1 | 2441904220 | |
| | | | | | | |
| | | | | | | |
| | | | | | | |
| | | | | | | |
| | | | | | | |
| | | | | | | |
| | | | | | | |
| | | | | | | |
| | | | | | | |
| | | | | | | |
| | | | | | | |
| | | | | | | |
| | | | | | | |
| | | | | | | |
| | | | | | | |
| | | | | | | |
| | | | | | | |
| | | | | | | |
| | | | | | | |
| | | | | | | |
| | | | | | | |
| | | | | | | |
| | | | | | | |
| | | | | | | |
| | | | | | | |
| | | | | | | |
| | | | | | | |
| | | | | | | |

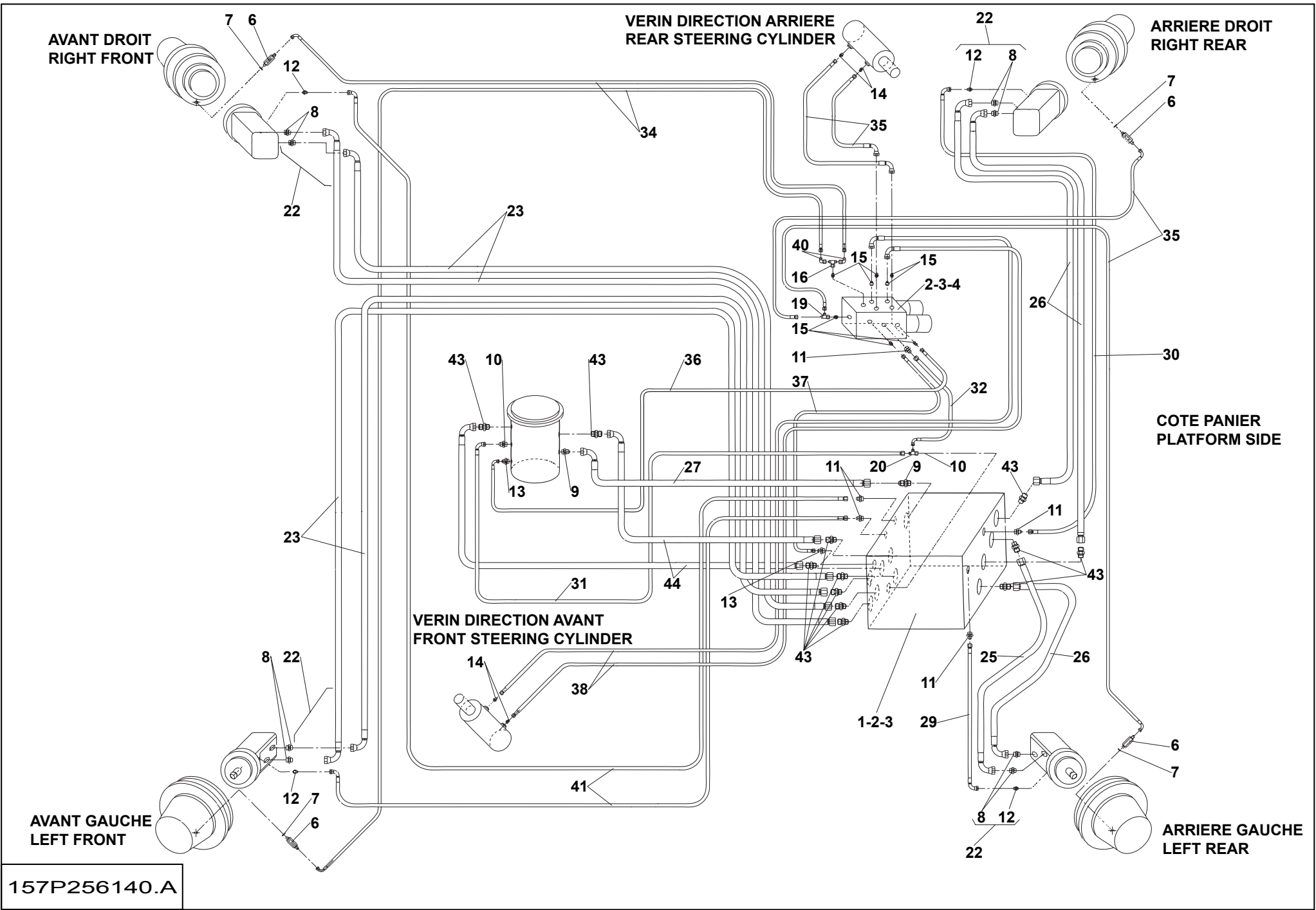


157C175740.E

▲ **HYDRAULIQUE**
HYDRAULICS

◀ **A6**
1/2 ▶

| Rep. | Désignation | Designation | Specification | Qty | Code | Up to / jusqu'à |
|------|--------------------------|-----------------------------------|--------------------------|-----|------------|-----------------|
| 1 | BLOC HYDRAULIQUE 4X4 | 4WD HYDRAULIC BLOCK | S6062 | 1 | 2503000510 | |
| 2 | VIS | SCREW | H M10X16-16 CL.8.8 ZB | 6 | 2331231510 | |
| 3 | RONDELLE ÉLASTIQUE | RUBBER WASHER | W 10 ZB | 6 | 2351902930 | |
| 4 | BLOC DIRECTION DÉFREINAG | BRAKE RELEASE STEERING UNIT | | 1 | 2420212460 | |
| 6 | RACCORD MALE | MALE CONNECTION | 1/4"BSPP M | 4 | 116C129821 | |
| 7 | JOINT CUIVRE | COPPER SEAL | 13,4 X 17 X 1,5 | 4 | 2396013060 | |
| 8 | UNION MÂLE ORFS | MALE UNION PIECE ORFS | | 8 | 2501000830 | |
| 9 | UNION | UNION PIECE | M.JIC 37 | 2 | 2369117210 | |
| 10 | UNION MÂLE JIC | MALE UNION PIECE JIC | BSPP1/2 - JIC 9/16 - 18 | 2 | 2369117370 | |
| 11 | UNION MÂLE JIC | MALE UNION PIECE JIC | BSPP 3/8 - JIC 9/16 - 18 | 5 | 2369117360 | |
| 12 | UNION MÂLE JIC | MALE UNION PIECE JIC | BSPP 1/4 - JIC 9/16 - 18 | 4 | 2369117100 | |
| 13 | UNION MÂLE JIC | MALE UNION PIECE JIC | BSPP 1/2 - JIC 7/16 - 20 | 2 | 2369117390 | |
| 14 | UNION MÂLE JIC | MALE UNION PIECE JIC | BSPP 3/8 - JIC 7/16 - 20 | 4 | 2369117000 | |
| 15 | UNION MÂLE JIC | MALE UNION PIECE JIC | BSPP 1/4 - JIC 7/16 - 20 | 8 | 2369117120 | |
| 16 | TÉ ORIENT. ÉGAL JIC | REGULAR ORIENT. TEE CONNECTION | 7/16 - 20 | 1 | 2369155080 | |
| 19 | TÉ ORIENT. RENV. JIC | REV. ORIENT. TEE CONNECTION (JIC) | 7/16 - 20 | 1 | 2369147000 | |
| 20 | TÉ ORIENT. RENV. JIC | REV. ORIENT. TEE CONNECTION (JIC) | 9/16 - 18 | 1 | 2369147010 | |
| 22 | SPIRALE PLASTIQUE SOUPLE | PLASTIC SPIRAL HOSE | | 4 | 2421903370 | |
| 23 | FLEXIBLE | FLEXIBLE | DN20 ORFS LG=2560 | 4 | 2502004480 | |
| 25 | FLEXIBLE | FLEXIBLE | DN20 ORFS LG=1300 | 1 | 2502004490 | |
| 26 | FLEXIBLE | FLEXIBLE | DN20 ORFS LG=1150 | 3 | 2502004500 | |
| 27 | FLEXIBLE | FLEXIBLE | DN18 DC90 LG=95 | 1 | 2369072700 | |
| 29 | FLEXIBLE | FLEXIBLE | DN10 DC90 LG=12 | 1 | 2369076630 | |
| 30 | FLEXIBLE | FLEXIBLE | DN10 DC90 LG=13 | 1 | 2369073380 | |
| 31 | FLEXIBLE | FLEXIBLE | DN10 DC90 LG=10 | 1 | 2369072050 | |
| 32 | FLEXIBLE | FLEXIBLE | DN10 DC90 LG=18 | 1 | 2369071580 | |

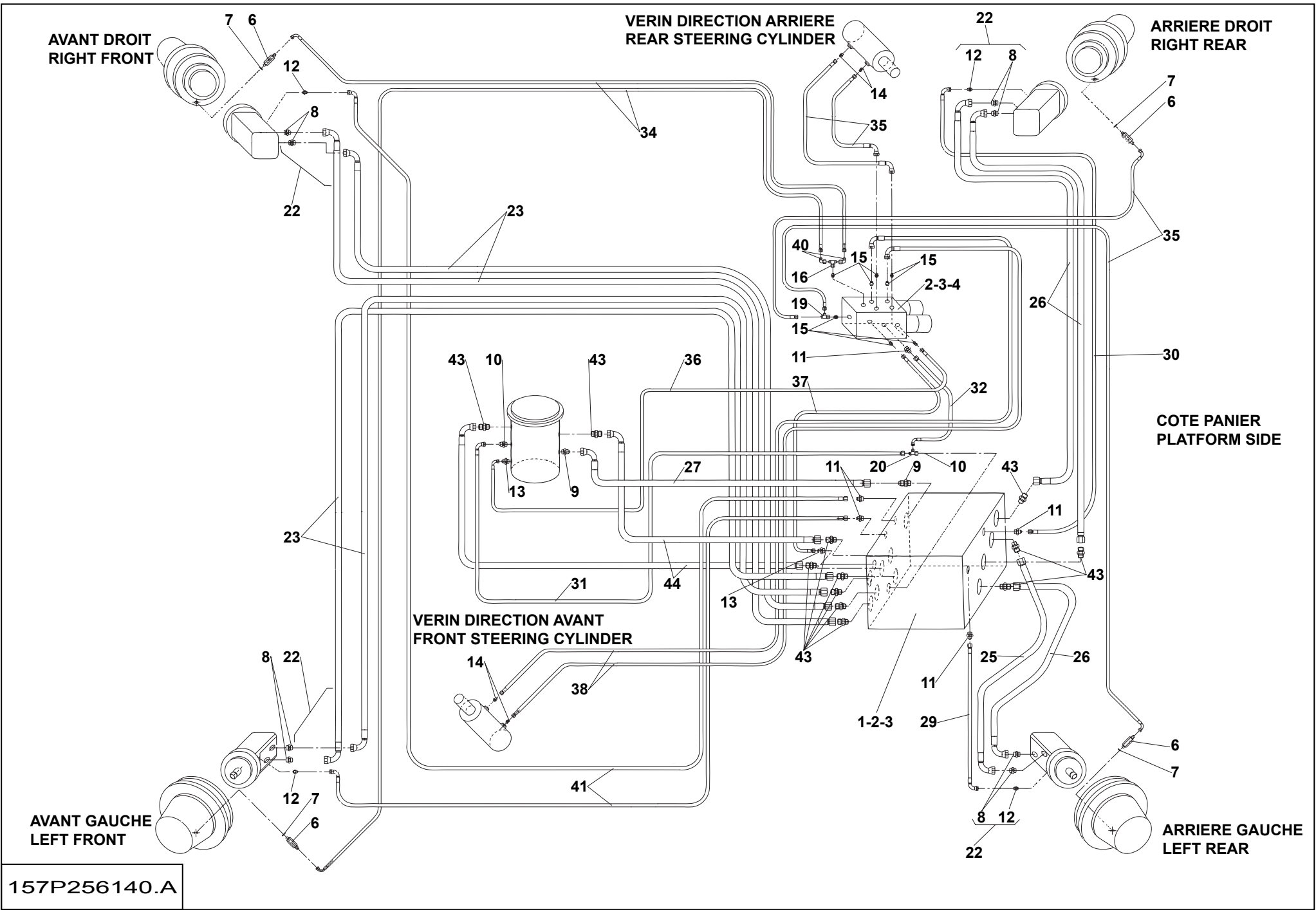


157P256140.A

▲ HYDRAULIQUE HYDRAULICS

◀ A6 ▶
2/2 ▶

| Rep. | Désignation | Designation | Specification | Qty | Code | Up to / jusqu'à |
|------|-----------------------|-------------------------|-----------------------|-----|------------|-----------------|
| 34 | FLEXIBLE | FLEXIBLE | DN6 DC90 LG=177 | 2 | 2369072610 | |
| 35 | FLEXIBLE | FLEXIBLE | D-C90 S5469 LG 3000 | 4 | 2369074760 | |
| 36 | FLEXIBLE | FLEXIBLE | DN6 DC90 LG=215 | 1 | 2369075130 | |
| 37 | FLEXIBLE | FLEXIBLE | DN6 DD LG=1900 | 1 | 2369075210 | |
| 38 | FLEXIBLE | FLEXIBLE | DN6 DC90 LG=103 | 2 | 2369071790 | |
| 40 | COUDE ORIENT. 90° JIC | ADJUSTABLE BEND 90° JIC | 7/16 - 20 | 2 | 2369135190 | |
| 41 | FLEXIBLE | FLEXIBLE | DN10 DC90 LG=26 | 2 | 2369076640 | |
| 42 | BOUCHON | PLUG | 1/4" BSPP | 2 | 2355901380 | |
| 43 | UNION MÂLE ORFS | MALE UNION PIECE ORFS | 3/4" BSPP 1'3/16-12 | 12 | 2501000010 | |
| 44 | FLEXIBLE | FLEXIBLE | ORFS 3/4" LG950 S5469 | 2 | 2502005530 | |
| | | | | | | |
| | | | | | | |
| | | | | | | |
| | | | | | | |
| | | | | | | |
| | | | | | | |
| | | | | | | |
| | | | | | | |
| | | | | | | |
| | | | | | | |
| | | | | | | |
| | | | | | | |
| | | | | | | |
| | | | | | | |
| | | | | | | |
| | | | | | | |
| | | | | | | |
| | | | | | | |
| | | | | | | |
| | | | | | | |
| | | | | | | |
| | | | | | | |

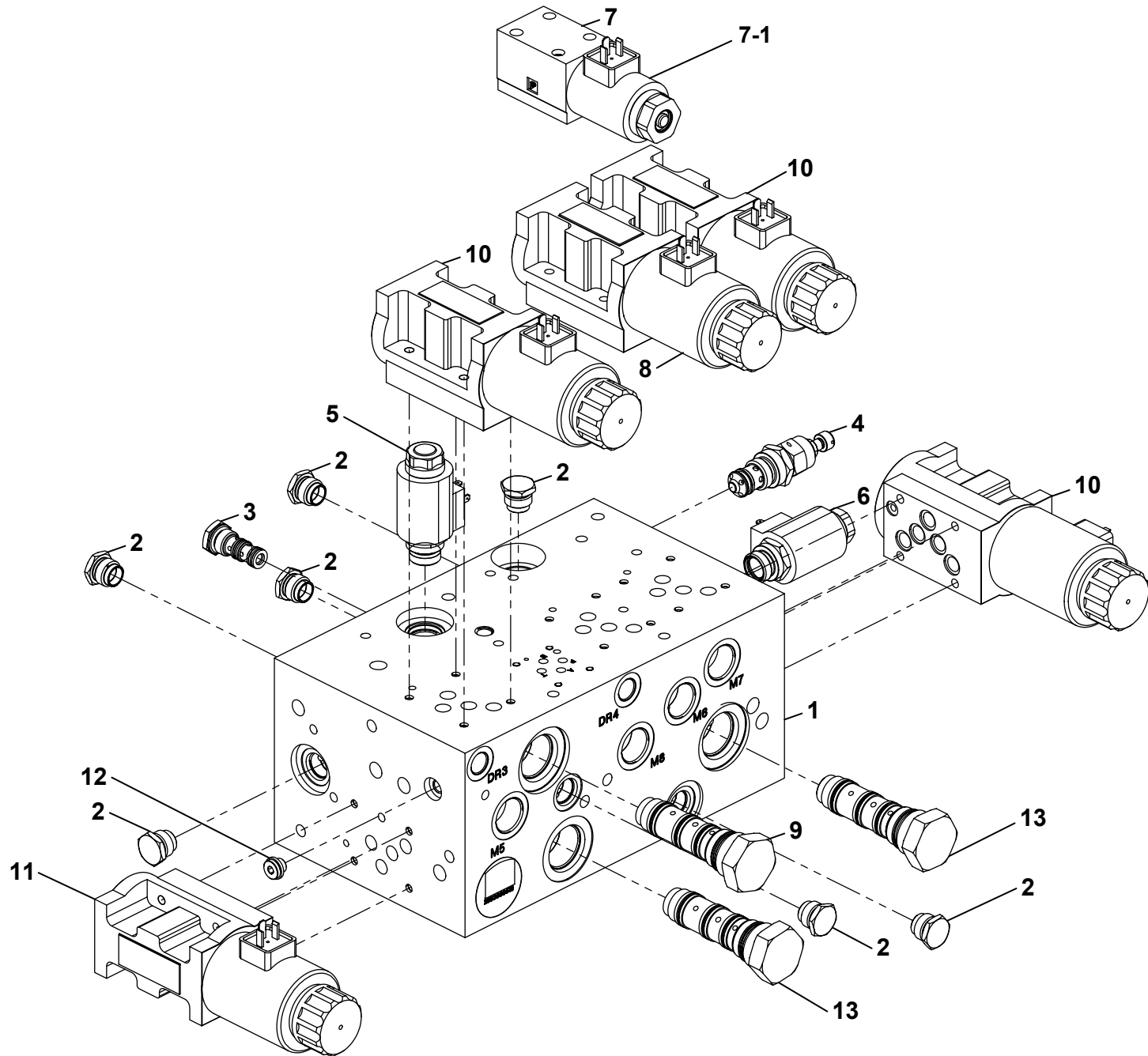


157P256140.A

**▲ BLOC HYDRAULIQUE 4X4
4WD HYDRAULIC BLOCK**

◀ A6-1 ▶

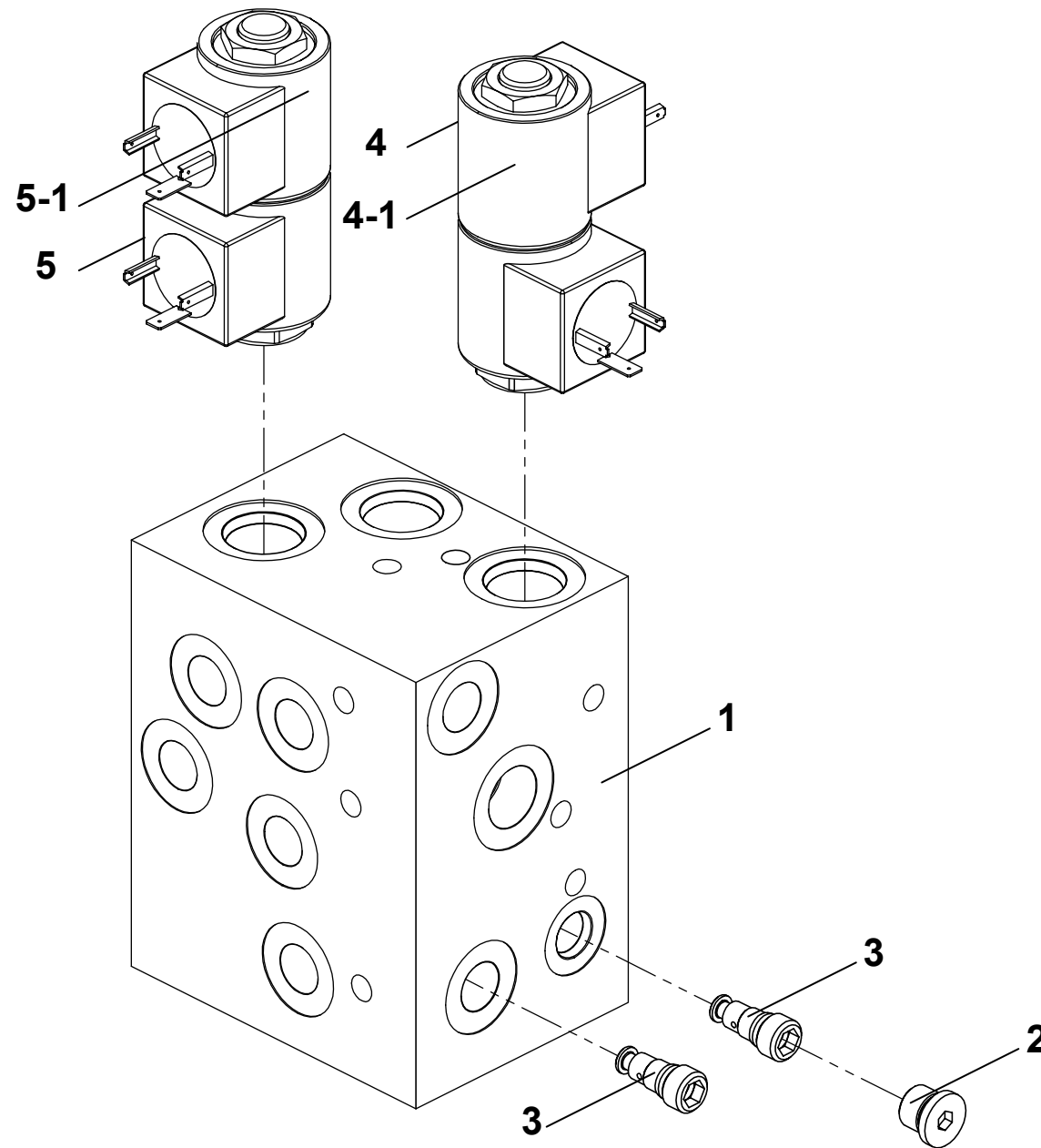
| Rep. | Désignation | Designation | Specification | Qty | Code | Up to / jusqu'à |
|------|-----------------------------|--------------------------------|---------------|-----|------------|-----------------|
| 1 | <i>BLOC</i> | <i>BLOCK</i> | | 1 | 2503001100 | |
| 2 | <i>CLAPET</i> | <i>VALVE</i> | | 7 | 2503001110 | |
| 3 | <i>SÉLECTEUR DE CIRCUIT</i> | <i>CIRCUIT SELECTOR SWITCH</i> | | 1 | 2503001120 | |
| 4 | <i>LIMITEUR DE PRESSION</i> | <i>PRESSURE LIMITER</i> | | 1 | 2503001130 | |
| 5 | <i>BOBINE</i> | <i>COIL</i> | | 1 | 2503001150 | |
| 6 | <i>BOBINE</i> | <i>COIL</i> | | 1 | 2503001160 | |
| 7 | <i>ELECTROVALVE</i> | <i>SOLENOID VALVE</i> | | 1 | 2440508600 | |
| 7-1 | <i>BOBINE</i> | <i>COIL</i> | <i>24V</i> | 1 | 2440210880 | |
| 8 | <i>ELECTROVALVE</i> | <i>SOLENOID VALVE</i> | | 1 | 2503001180 | |
| 9 | <i>DIVISEUR DE DÉBIT</i> | <i>FLOW DIVIDER</i> | | 1 | 2503001170 | |
| 10 | <i>ELECTROVALVE</i> | <i>SOLENOID VALVE</i> | | 3 | 2503001190 | |
| 11 | <i>ELECTROVALVE</i> | <i>SOLENOID VALVE</i> | | 1 | 2503001200 | |
| 12 | <i>BOUCHON</i> | <i>PLUG</i> | <i>G1/8"</i> | 1 | 2420210300 | |
| 13 | <i>DIVISEUR DE DÉBIT</i> | <i>FLOW DIVIDER</i> | | 2 | 2503001140 | |
| | | | | | | |
| | | | | | | |
| | | | | | | |
| | | | | | | |
| | | | | | | |
| | | | | | | |
| | | | | | | |
| | | | | | | |
| | | | | | | |
| | | | | | | |
| | | | | | | |
| | | | | | | |
| | | | | | | |



2503000510.A

▲ BLOC DIRECTION DÉFREINAG

| Rep. | Désignation | Designation | Specification | Qty | Code | Up to / jusqu'à |
|------|-----------------------------|--------------------------------|---------------|-----|------------|-----------------|
| 1 | <i>BLOC</i> | <i>BLOCK</i> | | 1 | 2503001210 | |
| 2 | <i>BOUCHON</i> | <i>PLUG</i> | | 1 | 2420209890 | |
| 3 | <i>SÉLECTEUR DE CIRCUIT</i> | <i>CIRCUIT SELECTOR SWITCH</i> | | 2 | 2503001230 | |
| 4 | <i>ELECTROVALVE</i> | <i>SOLENOID VALVE</i> | | 1 | 2503000990 | |
| 4-1 | <i>BOBINE</i> | <i>COIL</i> | | 2 | 2503001220 | |
| 5 | <i>ELECTROVALVE</i> | <i>SOLENOID VALVE</i> | | 1 | 2503001250 | |
| 5-1 | <i>BOBINE</i> | <i>COIL</i> | | 2 | 2503001220 | |
| | | | | | | |
| | | | | | | |
| | | | | | | |
| | | | | | | |
| | | | | | | |
| | | | | | | |
| | | | | | | |
| | | | | | | |
| | | | | | | |
| | | | | | | |
| | | | | | | |
| | | | | | | |
| | | | | | | |
| | | | | | | |
| | | | | | | |
| | | | | | | |
| | | | | | | |
| | | | | | | |
| | | | | | | |
| | | | | | | |
| | | | | | | |
| | | | | | | |
| | | | | | | |
| | | | | | | |
| | | | | | | |
| | | | | | | |
| | | | | | | |
| | | | | | | |
| | | | | | | |
| | | | | | | |
| | | | | | | |

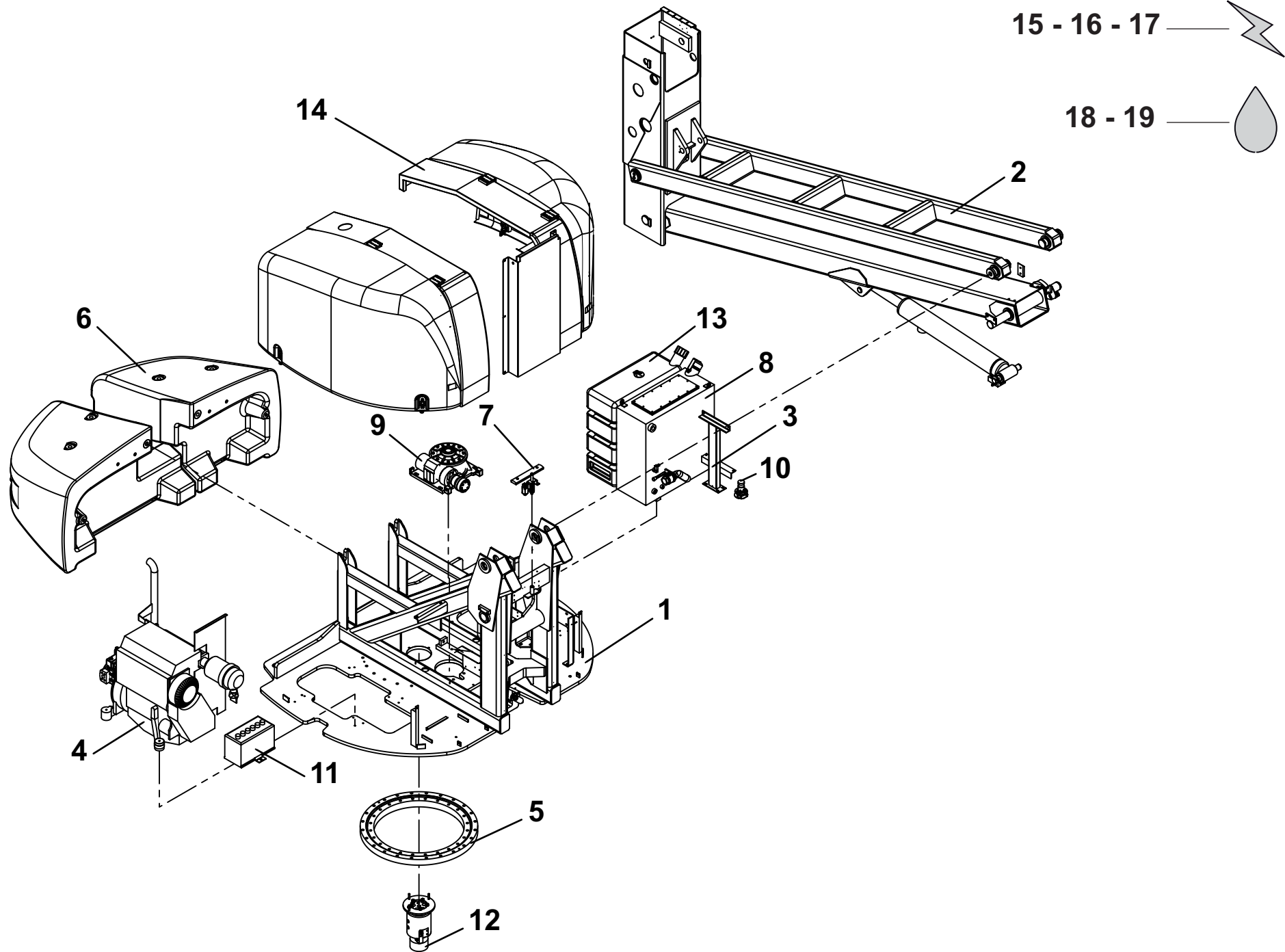


2420212460.B

**▲ GROUPE TOURELLE
TURRET UNIT**

◀ **B** ▶

| Rep. | Désignation | Designation | Specification | Up to / jusqu'à |
|------|--------------------------|------------------------------------|---------------|-----------------|
| 1 | CHASSIS TOURELLE | TURRET SUB-FRAME | | |
| 2 | BRAS ARTICULÉS | SWIVEL ARMS | | |
| 3 | SUPPORT COFFRET ÉLECTRIQ | ELECTICITY CUPBOARD SUPPORT | | |
| 4 | GROUPE MOTEUR | ENGINE UNIT | | |
| 5 | COURONNE D'ORIENTATION | SLEW RING | | |
| 6 | CONTREPOIDS | COUNTERWEIGHT | | |
| 7 | COUPURE TOURELLE | TURRET CUT-OFF | | |
| 8 | RÉSERVOIR HYDRAULIQUE | HYDRAULIC RESERVOIR | | |
| 9 | RÉDUCTEUR D'ORIENTATION | DIRECTION REDUCER | | |
| 10 | DÉVERS | TILT | | |
| 11 | BATTERIE DE DÉMARRAGE | STARTING BATTERY | | |
| 12 | JOINT TOURN. HYDRAU+ÉLEC | HYDRAULIC + ELECTRIC ROTATING SEAL | | |
| 13 | RÉSERVOIR DE CARBURANT | FUEL TANK | | |
| 14 | CAPOTAGE TOURELLE | TURRET COWLING | | |
| 15 | ELECTRICITÉ TOURELLE | TURNTABLE ELECTRICITY | | |
| 16 | MONT. CONTACT. ÉLECTROP. | ELECTRIC PUMP CONTACT SWITCH FIT- | | |
| 17 | CÂBLAGE JOINT TOURNANT | ROTATING JOINT CABLING | | |
| 19 | HYDRAULIQUE | HYDRAULICS | | |
| | | | | |
| | | | | |
| | | | | |
| | | | | |
| | | | | |
| | | | | |
| | | | | |
| | | | | |
| | | | | |
| | | | | |





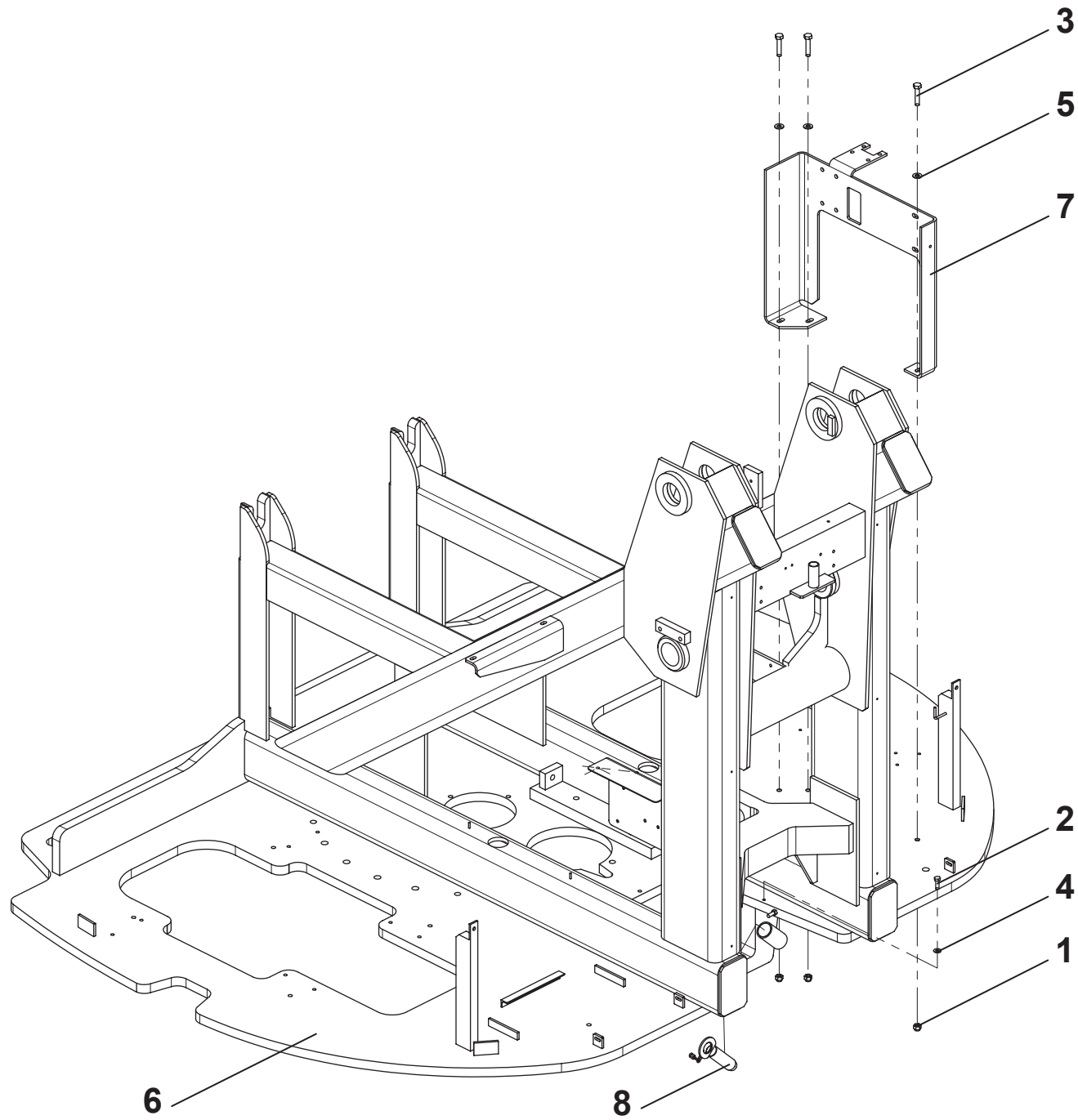
CHASSIS TOURELLE TURRET SUB-FRAME



B1



| Rep. | Désignation | Designation | Specification | Qty | Code | Up to / jusqu'à |
|------|--------------------------|-----------------|-----------------------|-----|------------|-----------------|
| 1 | ECROU AUTOFREINÉ | SELF-LOCKED NUT | H FR M10 CL. 8 ZB | 3 | 2349221510 | |
| 2 | VIS | SCREW | H M8X25-25 CL.8.8 ZB | 1 | 2331231430 | |
| 3 | VIS | SCREW | H M10X50-26 CL.8.8 ZB | 3 | 2301231800 | |
| 4 | RONDELLE PLATE | FLAT WASHER | M 8 ZB | 1 | 2351112070 | |
| 5 | RONDELLE PLATE | FLAT WASHER | M 10 ZB | 3 | 2351112090 | |
| 6 | TOURELLE | TURRET | | 1 | 157P234080 | |
| 7 | SUPPORT PVG | PVG SUPPORT | | 1 | 157B171090 | |
| 8 | DOIGT DE BLOCAGE ORIENTA | SLEWING ROD | | 1 | 1460322011 | |
| | | | | | | |
| | | | | | | |
| | | | | | | |
| | | | | | | |
| | | | | | | |
| | | | | | | |
| | | | | | | |
| | | | | | | |
| | | | | | | |
| | | | | | | |
| | | | | | | |
| | | | | | | |
| | | | | | | |
| | | | | | | |
| | | | | | | |
| | | | | | | |
| | | | | | | |
| | | | | | | |
| | | | | | | |
| | | | | | | |

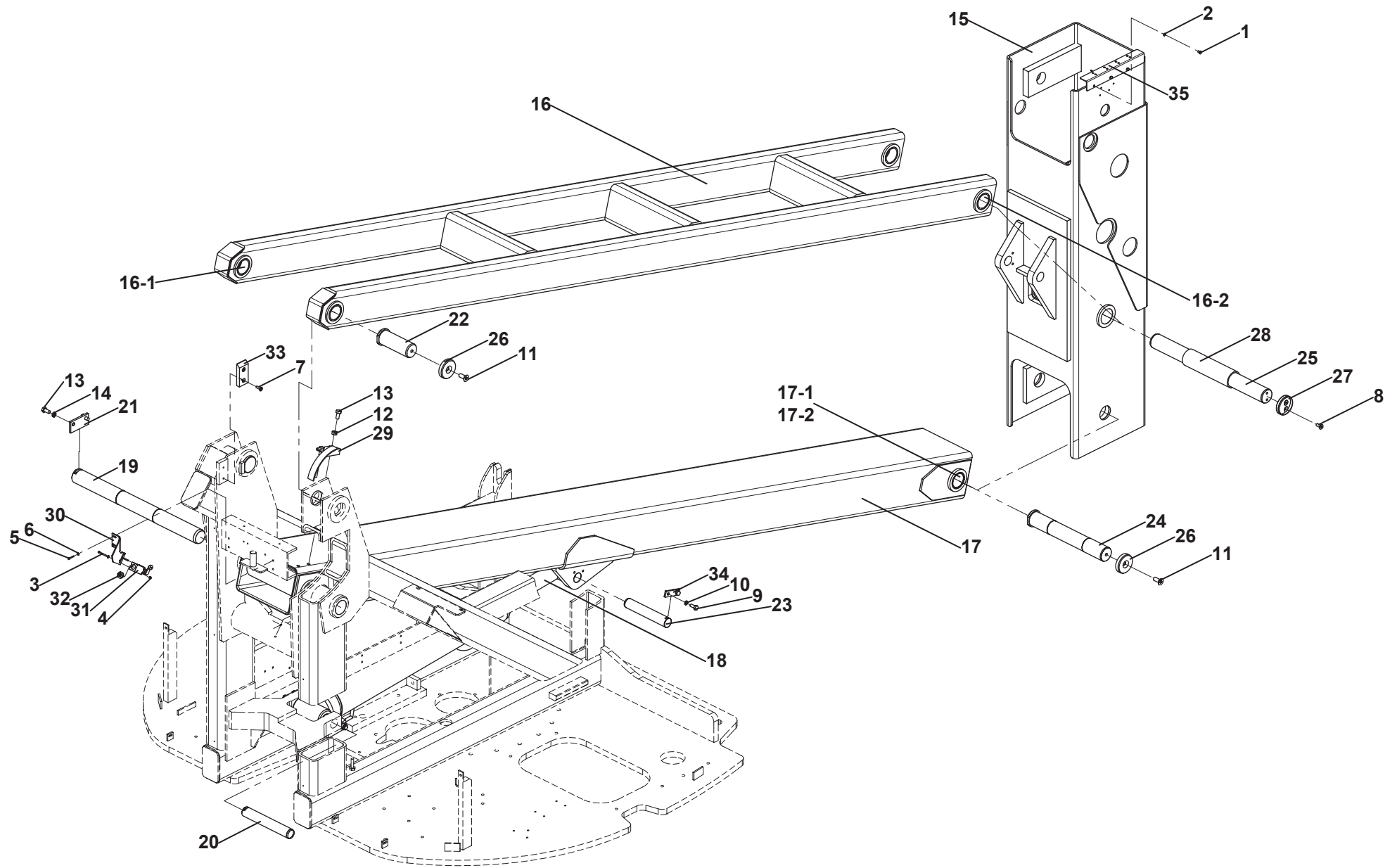


157P248580.H

▲ **BRAS ARTICULÉS**
SWIVEL ARMS

◀ **B2**
1/2 ▶

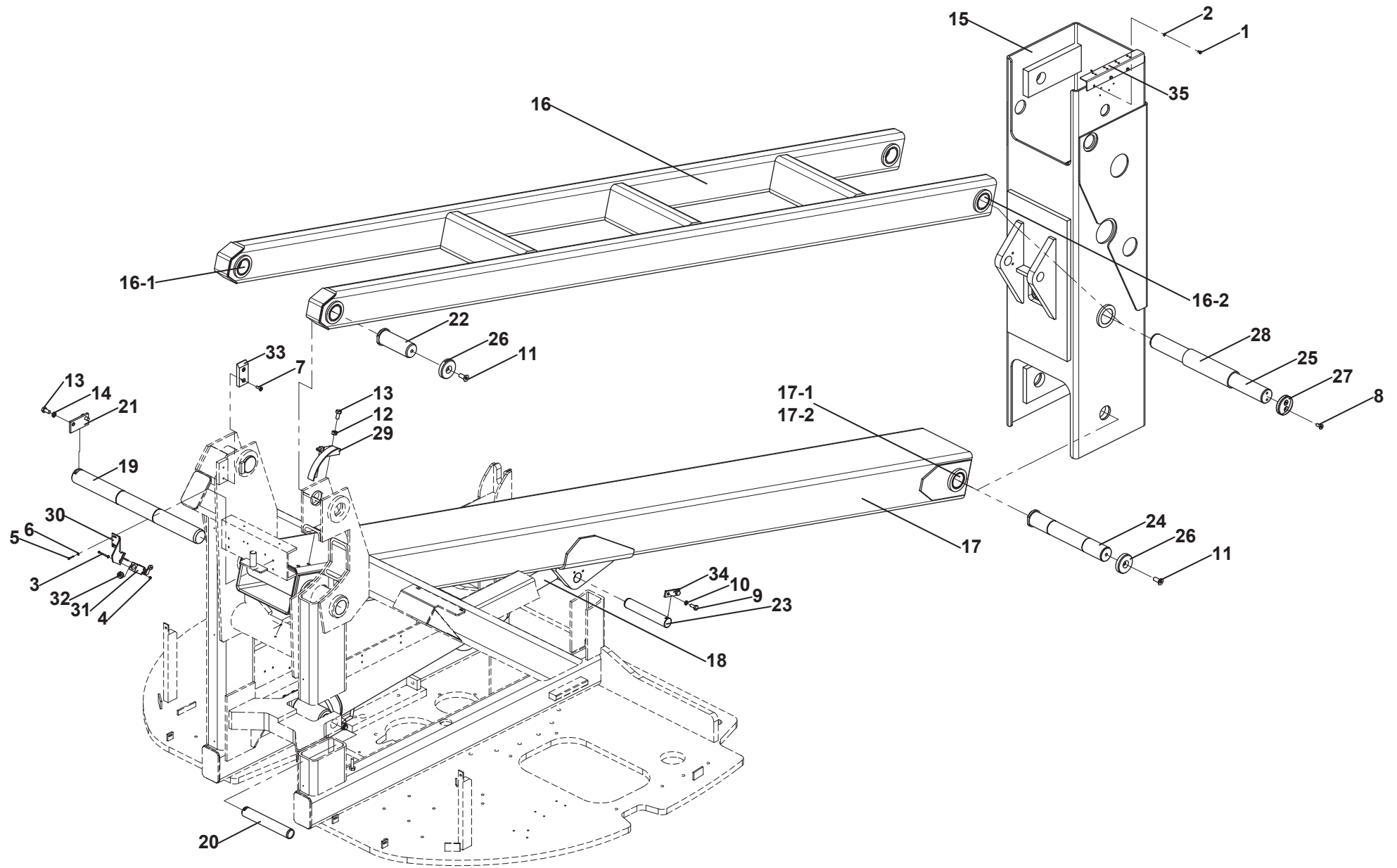
| Rep. | Désignation | Designation | Specification | Qty | Code | Up to / jusqu'à |
|------|------------------------|-------------------------|--------------------------|-----|------------|-----------------|
| 1 | VIS | SCREW | H M6X10-10 CL.8.8 ZB | 3 | 2331231300 | |
| 2 | RONDELLE ÉLASTIQUE | RUBBER WASHER | W 6 ZB | 3 | 2351201050 | |
| 3 | VIS | SCREW | CHC M4X40-20 CL.8,8 ZB | 2 | 2308231230 | |
| 4 | ECROU AUTOFREINÉ | SELF-LOCKED NUT | H FR M4 CL. 8 ZB | 4 | 2349221480 | |
| 5 | VIS | SCREW | CHC M4X25-25 CL.8,8 ZB | 2 | 2308231200 | |
| 6 | RONDELLE PLATE | FLAT WASHER | M 4 ZB | 4 | 2351112030 | |
| 7 | VIS | SCREW | FHC M8X25-25 CL.10.9 DC | 2 | 2307331710 | |
| 8 | VIS | SCREW | FHC M10X25-25 CL.10.9 DC | 4 | 2337331030 | |
| 9 | VIS | SCREW | H M10X25-25 CL.8.8 ZB | 4 | 2331231560 | |
| 10 | RONDELLE ÉLASTIQUE | RUBBER WASHER | W 10 ZB | 4 | 2351201090 | |
| 11 | VIS | SCREW | FHC M14X35-35 CL.10.9 DC | 3 | 2337331010 | |
| 12 | ECROU | NUT | H M12 CL. 8 ZB | 2 | 2341221090 | |
| 13 | VIS | SCREW | H M12X25-25 CL.8.8 ZB | 4 | 2331231730 | |
| 14 | RONDELLE ÉLASTIQUE | RUBBER WASHER | W 12 ZB | 2 | 2351201100 | |
| 15 | PIÈCE DE LIAISON | LINK PIECE | | 1 | 157B152901 | |
| 16 | BRAS SUPÉRIEUR | TOP ARM | | 1 | 157P237390 | |
| 16-1 | BAGUE | RING | S5717 607040 | 4 | 2390190850 | |
| 16-2 | BAGUE | RING | S5717 607050 | 4 | 2390190860 | |
| 17 | BRAS INFÉRIEUR | BOTTOM ARM | | 1 | 157B152881 | |
| 17-1 | BAGUE | RING | S5717 607040 | 4 | 2390190850 | |
| 17-2 | BAGUE | RING | S5717 607050 | 4 | 2390190860 | |
| 18 | VÉRIN DE LEVAGE | LIFT CYLINDER | | 1 | 157C176440 | |
| 19 | AXE BRAS INF. TOURELLE | TURNTABLE LOWER ARM PIN | | 1 | 157C143600 | |
| 20 | AXE PIED DE VÉRIN | CYLINDER FOOT PIN | | 1 | 150D152040 | |
| 21 | PLAQUETTE | PLATE | 100 X 50 X 8 | 1 | 150D152070 | |
| 22 | AXE BRAS SUP. TOURELLE | TURNTABLE UPPER ARM PIN | | 2 | 157C143580 | |



157P237370.G

**▲ BRAS ARTICULÉS
SWIVEL ARMS**

| Rep. | Désignation | Designation | Specification | Qty | Code | Up to / jusqu'à |
|------|---------------------------|------------------------|----------------|-----|------------|-----------------|
| 23 | AXE VÉRIN RELEVAGE FLÈCHE | BOOM LIFT CYLINDER ROD | | 1 | 150D151890 | |
| 24 | AXE BRAS INF. SUPPORT | SUPPORT LOWER ARM PIN | | 1 | 157C143590 | |
| 25 | AXE BRAS SUP. SUPPORT | SUPPORT UPPER ARM PIN | | 1 | 157C143570 | |
| 26 | RONDELLE | WASHER | DIA 80/60/15 E | 3 | 157D158530 | |
| 27 | RONDELLE | WASHER | DIA 80/60/11 E | 2 | 157D158520 | |
| 28 | ENTRETOISE | BRACE | Ø 70/60 LG | 1 | 157D158540 | |
| 29 | CAME DE LEVAGE BRAS | ARM LIFT CAM | | 1 | 188C175510 | |
| 30 | SUPPORT CAPTEUR | SENSOR SUPPORT | | 1 | 188C175520 | |
| 31 | INTERRUPTEUR POSITION | POSITION SWITCH | D4D-1520N | 1 | 2440901490 | |
| 31 | INTERRUPTEUR DE POSITION | POSITION SWITCH | D4D-1520N | 1 | 2440901490 | |
| 32 | PRESSE-ÉTOUPE RÉDUCTEUR | REDUCER PACKING BOX | 13/7 - S020246 | 1 | 2441613010 | |
| 33 | PATIN DE CENTRAGE | CENTRING PAD | | 1 | 150D166720 | |
| 34 | PLAQUETTE ARRÊTOIRE | STOP PLATE | 80 X 2 | 2 | 150D152050 | |
| 35 | CAPOT DE PROTECTION | PROTECTIVE COVER | | 1 | 157P238130 | |
| | | | | | | |
| | | | | | | |
| | | | | | | |
| | | | | | | |
| | | | | | | |
| | | | | | | |
| | | | | | | |
| | | | | | | |
| | | | | | | |
| | | | | | | |
| | | | | | | |
| | | | | | | |
| | | | | | | |
| | | | | | | |
| | | | | | | |
| | | | | | | |
| | | | | | | |
| | | | | | | |
| | | | | | | |
| | | | | | | |
| | | | | | | |
| | | | | | | |
| | | | | | | |
| | | | | | | |
| | | | | | | |
| | | | | | | |
| | | | | | | |
| | | | | | | |

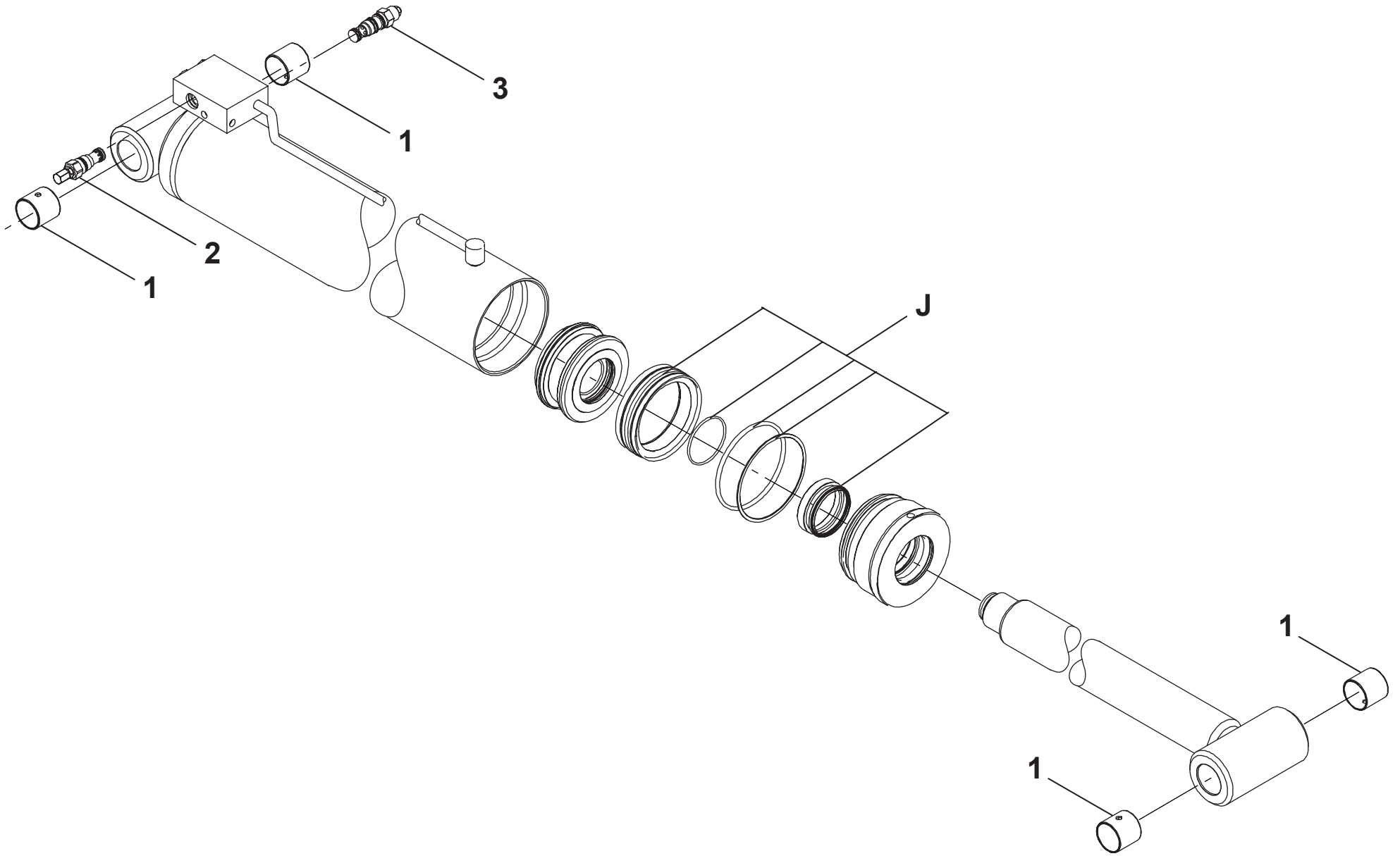


157P237370.G

**▲ VÉRIN DE LEVAGE
LIFT CYLINDER**

◀ B2-18 ▶

| Rep. | Désignation | Designation | Specification | Qty | Code | Up to / jusqu'à |
|------|----------------------------|------------------------|---------------|-----|------------|-----------------|
| 1 | <i>BAGUE</i> | <i>RING</i> | | 4 | 2390150500 | |
| 2 | <i>CARTOUCHE</i> | <i>CARTRIDGE</i> | | 1 | 2427002740 | |
| 3 | <i>VALVE D'ÉQUILIBRAGE</i> | <i>BALANCING VALVE</i> | | 1 | 2422204860 | |
| J | <i>POCHETTE DE JOINTS</i> | <i>BAG OF SEALS</i> | | 1 | 2504000600 | |
| | | | | | | |
| | | | | | | |
| | | | | | | |
| | | | | | | |
| | | | | | | |
| | | | | | | |
| | | | | | | |
| | | | | | | |
| | | | | | | |
| | | | | | | |
| | | | | | | |
| | | | | | | |
| | | | | | | |
| | | | | | | |
| | | | | | | |
| | | | | | | |
| | | | | | | |
| | | | | | | |
| | | | | | | |
| | | | | | | |
| | | | | | | |
| | | | | | | |

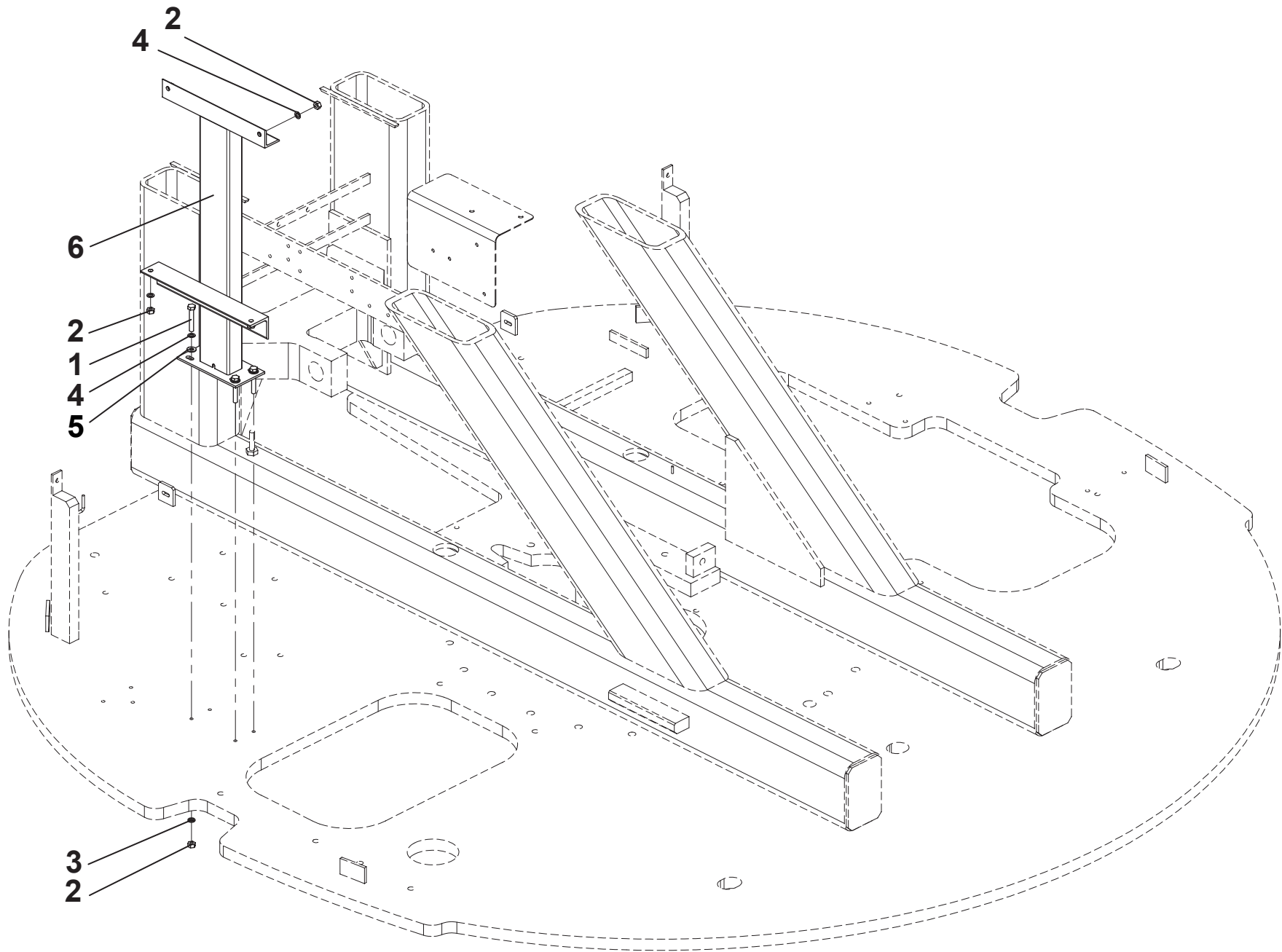


157C176440.B

▲ **SUPPORT COFFRET ÉLECTRIQ
ELECTICITY CUPBOARD SUPPORT**

◀ **B3** ▶

| Rep. | Désignation | Designation | Specifitation | Qty | Code | Up to / jusqu'à |
|------|-------------------------|--------------------------|----------------------|-----|------------|-----------------|
| 1 | VIS | SCREW | H M8X50-50 CL.8.8 ZB | 4 | 2331231490 | |
| 2 | ECROU | NUT | H M8 CL. 8 ZB | 8 | 2341221070 | |
| 3 | RONDELLE ÉLASTIQUE | RUBBER WASHER | W 8 ZB | 4 | 2351201070 | |
| 4 | RONDELLE À DENTS | TOOTH LOCK WASHER | DEC 8 ZB | 8 | 2351301090 | |
| 5 | RONDELLE PLATE | FLAT WASHER | M 8 ZB | 4 | 2351112070 | |
| 6 | SUPPORT COFFRET NACELLE | PLATFORM CABINET SUPPORT | | 1 | 150B163960 | |
| | | | | | | |
| | | | | | | |
| | | | | | | |
| | | | | | | |
| | | | | | | |
| | | | | | | |
| | | | | | | |
| | | | | | | |
| | | | | | | |
| | | | | | | |
| | | | | | | |
| | | | | | | |
| | | | | | | |
| | | | | | | |
| | | | | | | |
| | | | | | | |
| | | | | | | |
| | | | | | | |
| | | | | | | |
| | | | | | | |
| | | | | | | |
| | | | | | | |
| | | | | | | |
| | | | | | | |
| | | | | | | |
| | | | | | | |
| | | | | | | |
| | | | | | | |

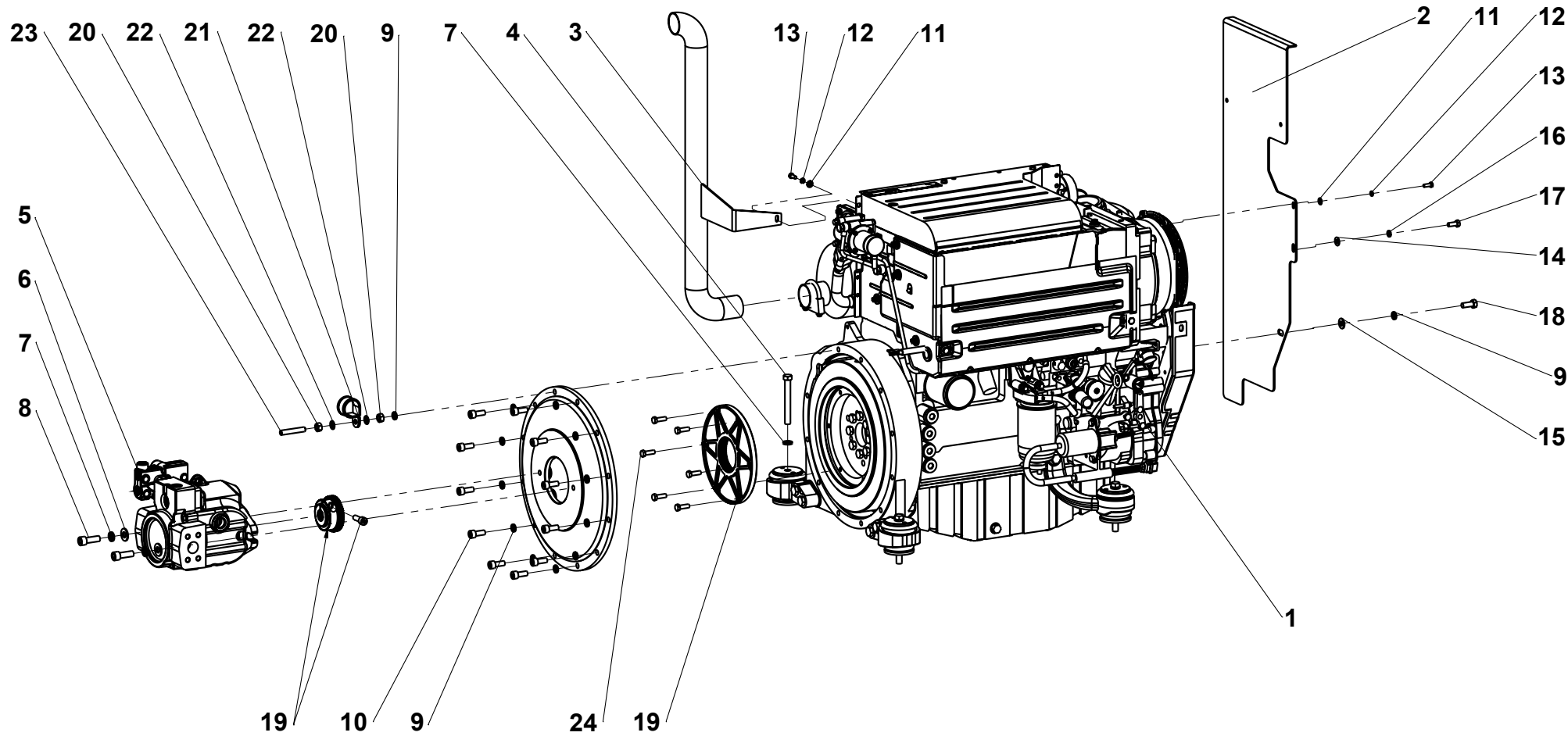


157B171040.E

**▲ ENSEMBLE MOTEUR
MOTOR ASSEMBLY**

◀ **B4** ▶

| Rep. | Désignation | Designation | Specification | Qty | Code | Up to / jusqu'à |
|------|---------------------------|---------------------|-------------------------|-----|------------|-----------------|
| 1 | MOTEUR DEUTZ | DEUTZ MOTOR | S020925 | 1 | 2324003830 | |
| 2 | TOLE SEPARATRICE | SHEET METAL DIVIDER | | 1 | 157P297890 | |
| 3 | ECHAPPEMENT | EXHAUST | | 1 | 157P245500 | |
| 4 | VIS | SCREW | H M12X100-30 CL.8.8 ZB | 4 | 2301232050 | |
| 5 | POMPE HYDRAULIQUE | HYDRAULIC PUMP | S5660 | 1 | 2426210260 | |
| 6 | RONDELLE PLATE | FLAT WASHER | M 12 ZB | 2 | 2351112110 | |
| 7 | RONDELLE ÉLASTIQUE | RUBBER WASHER | W 12 ZB | 6 | 2351201100 | |
| 8 | VIS | SCREW | CHC M12X35-35 CL.8,8 ZB | 2 | 2308232120 | |
| 9 | RONDELLE ÉLASTIQUE | RUBBER WASHER | W 10 ZB | 13 | 2351201090 | |
| 10 | VIS | SCREW | CHC M10X25-25 CL.8,8 ZB | 11 | 2308231890 | |
| 11 | RONDELLE PLATE | FLAT WASHER | M 6 ZB | 2 | 2351112050 | |
| 12 | RONDELLE ÉLASTIQUE | RUBBER WASHER | W 6 ZB | 2 | 2351201050 | |
| 13 | VIS | SCREW | H M6X16-16 CL.8.8 ZB | 2 | 2331231310 | |
| 14 | RONDELLE PLATE | FLAT WASHER | M 8 ZB | 1 | 2351112070 | |
| 15 | RONDELLE PLATE | FLAT WASHER | M 10 ZB | 1 | 2351112090 | |
| 16 | RONDELLE ÉLASTIQUE | RUBBER WASHER | W 8 ZB | 1 | 2351201070 | |
| 17 | VIS | SCREW | H M8X20-20 CL.8.8 ZB | 1 | 2331231420 | |
| 18 | VIS | SCREW | H M10X25-25 CL.8.8 ZB | 1 | 2331231560 | |
| 19 | ACCOUPLLEMENT MOTEUR-POMP | | S5053 | 1 | 2420104540 | |
| 20 | ECROU | NUT | H M10 CL. 8 ZB | 2 | 2341221080 | |
| 21 | COLLIER DE FIXATION | CABLE CLIP | Ø35 X 25 | 1 | 2389004080 | |
| 22 | RONDELLE À DENTS | | DEC 10 ZB | 2 | 2351301110 | |
| 23 | VIS À BOUT PLAT | | HC M10-60 INOX A2 | 1 | 2316132250 | |
| 24 | VIS | SCREW | H M8X25-25 CL.8.8 ZB | 6 | 2331231430 | |
| | | | | | | |
| | | | | | | |



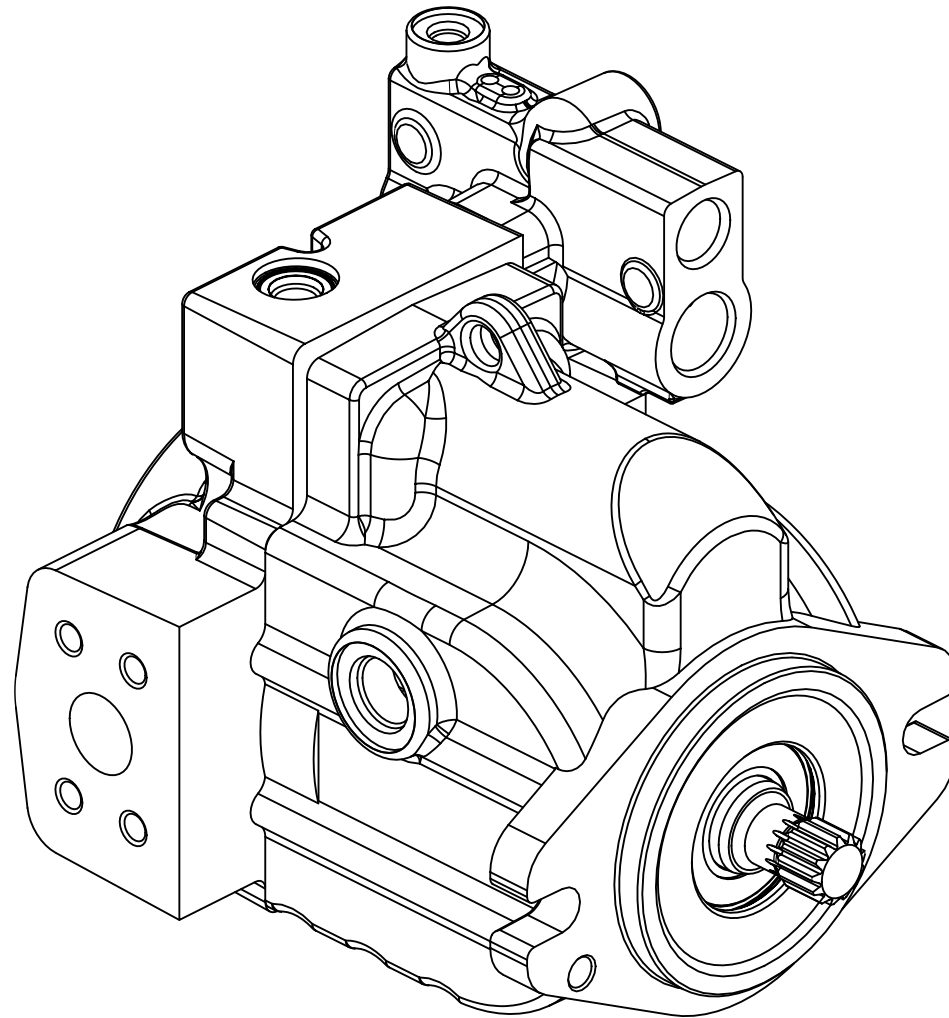
157P297360.C

▲ **POMPE HYDRAULIQUE**
HYDRAULIC PUMP

◀ **B4-5** ▶

| Rep. | Désignation | Designation | Specification | Qty | Code | Up to / jusqu'à |
|----------|---------------------------|---------------------|---------------|----------|-------------------|-----------------|
| <i>J</i> | <i>POCHETTE DE JOINTS</i> | <i>BAG OF SEALS</i> | | <i>1</i> | <i>2421694230</i> | |
| | | | | | | |
| | | | | | | |
| | | | | | | |
| | | | | | | |
| | | | | | | |
| | | | | | | |
| | | | | | | |
| | | | | | | |
| | | | | | | |
| | | | | | | |
| | | | | | | |
| | | | | | | |
| | | | | | | |
| | | | | | | |
| | | | | | | |
| | | | | | | |
| | | | | | | |
| | | | | | | |
| | | | | | | |
| | | | | | | |
| | | | | | | |
| | | | | | | |
| | | | | | | |
| | | | | | | |
| | | | | | | |
| | | | | | | |
| | | | | | | |
| | | | | | | |
| | | | | | | |
| | | | | | | |
| | | | | | | |
| | | | | | | |
| | | | | | | |
| | | | | | | |

J

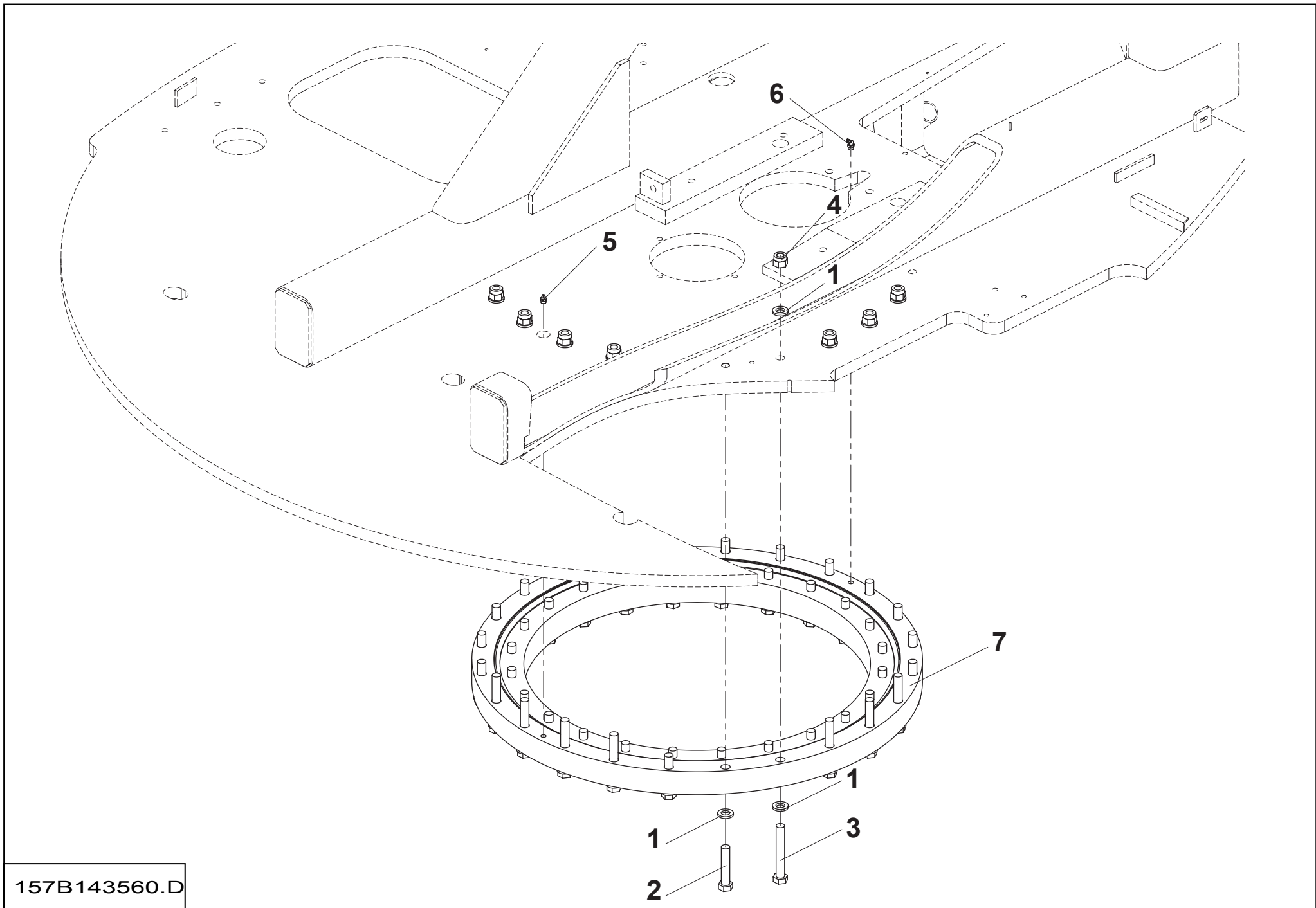


2426210260

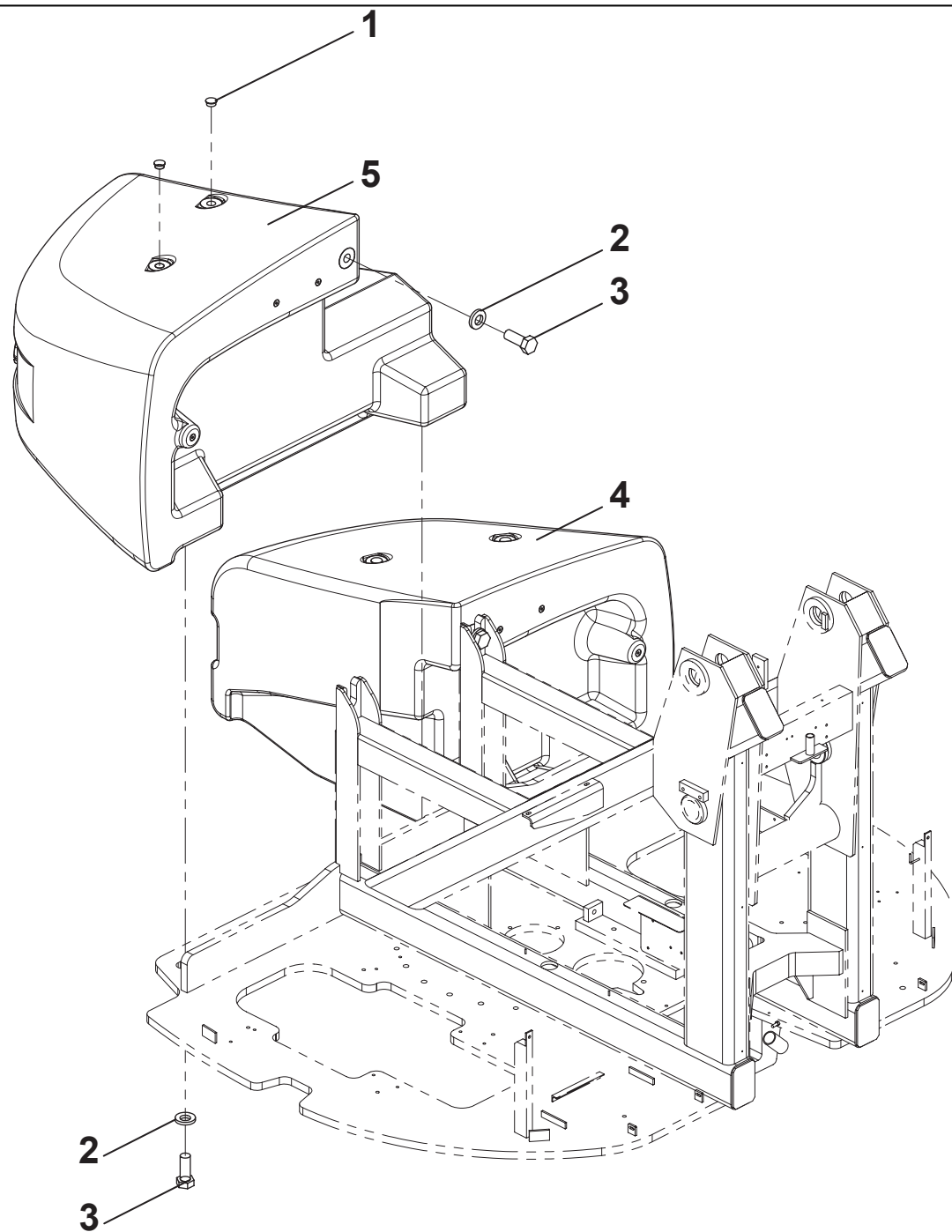
▲ **COURONNE D'ORIENTATION**
SLEW RING

◀ **B5** ▶

| Rep. | Désignation | Designation | Specification | Qty | Code | Up to / jusqu'à |
|------|--------------------------|-----------------------------|-------------------------|-----|------------|-----------------|
| 1 | RONDELLE | WASHER | HV 16 DC | 56 | 2351902910 | |
| 2 | VIS | SCREW | H M16X80-38 CL.10.9 DC | 40 | 2331232440 | |
| 2 | VIS | SCREW | H M16X80-38 CL.10.9 DC | 40 | 2331239390 | |
| 3 | VIS | SCREW | H M16X110-38 CL.10.9 DC | 8 | 2331239400 | |
| 4 | ECROU AUTOFREINÉ MÉTAL | SELF-STOPPING METAL NUT | M16 P200 CL.10 | 8 | 2349221730 | |
| 5 | GRAISSEUR STANDARD DROIT | RIGHT-HAND STANDARD LUBRICA | 1/8" G | 1 | 2425241260 | |
| 6 | GRAISSEUR STANDARD 45° | STANDARD LUBRICATOR 45 | 1/8" G | 1 | 2425241270 | |
| 7 | COURONNE D'ORIENTATION | SLEW RING | | 1 | 2420303350 | |
| | | | | | | |
| | | | | | | |
| | | | | | | |
| | | | | | | |
| | | | | | | |
| | | | | | | |
| | | | | | | |
| | | | | | | |
| | | | | | | |
| | | | | | | |
| | | | | | | |
| | | | | | | |
| | | | | | | |
| | | | | | | |
| | | | | | | |
| | | | | | | |
| | | | | | | |
| | | | | | | |
| | | | | | | |
| | | | | | | |
| | | | | | | |
| | | | | | | |
| | | | | | | |
| | | | | | | |
| | | | | | | |
| | | | | | | |



157B143560.D

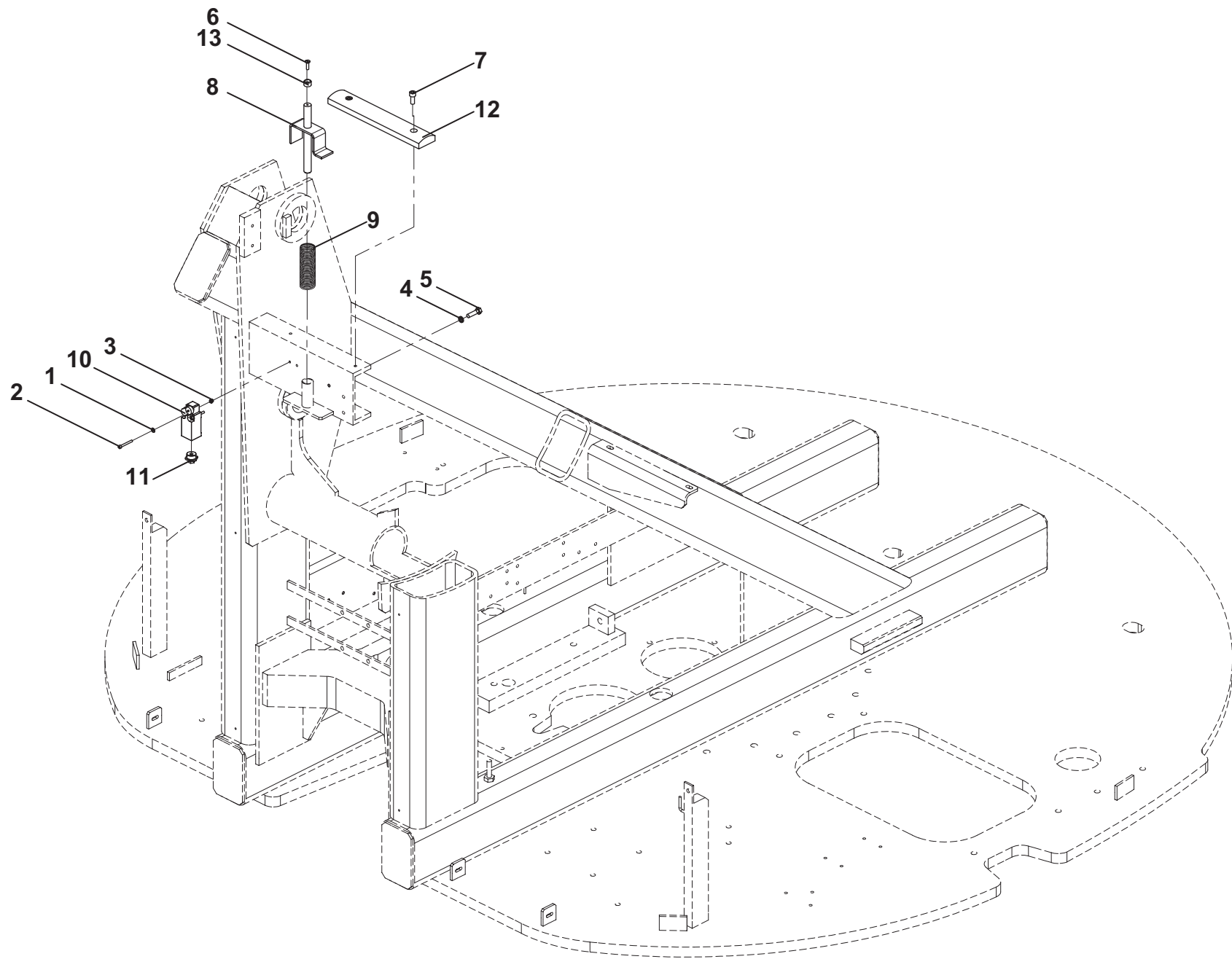


157P237290.B

**▲ COUPURE TOURELLE
TURRET CUT-OFF**

◀ **B7** ▶

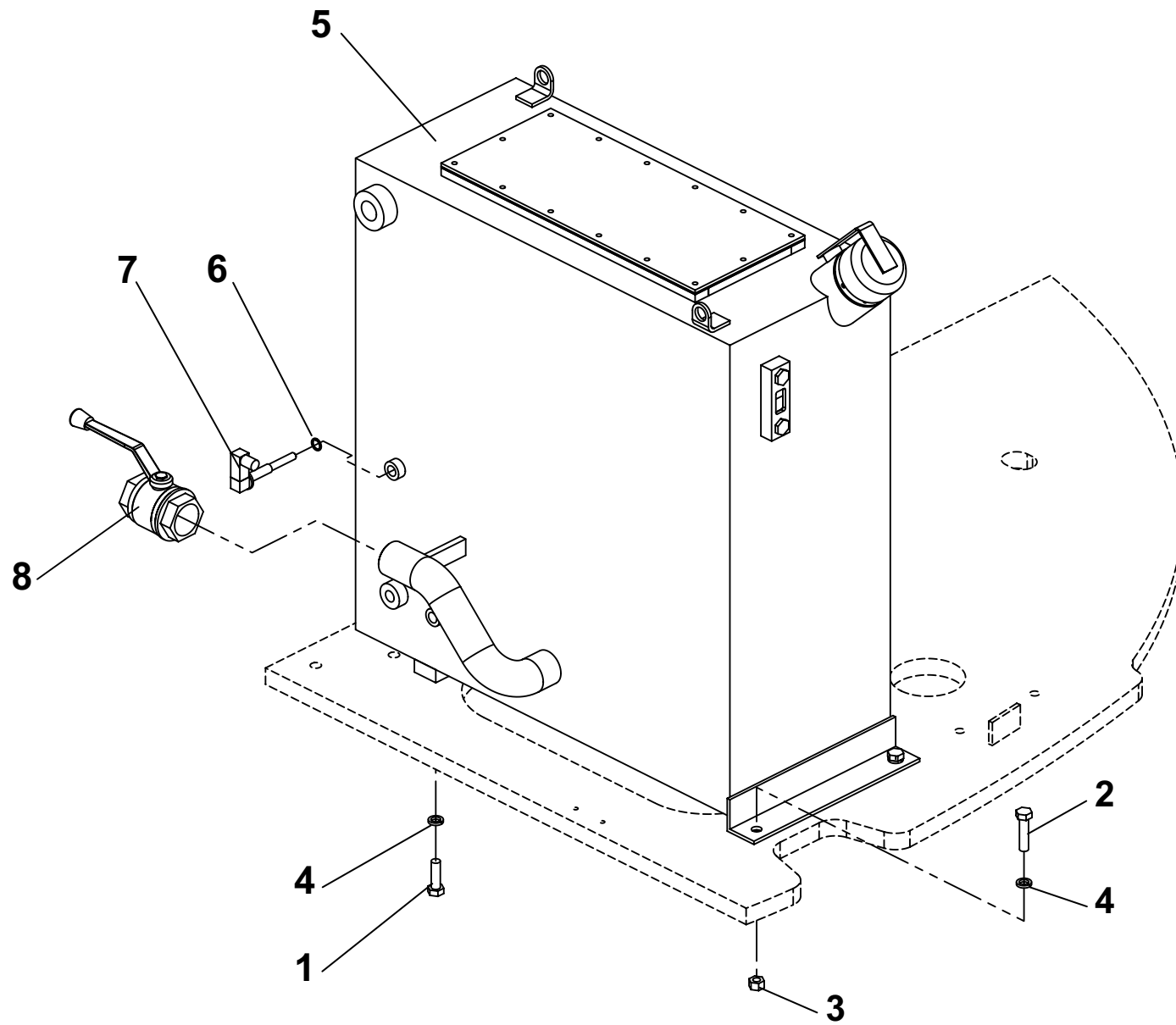
| Rep. | Désignation | Designation | Specification | Qty | Code | Up to / jusqu'à |
|------|--------------------------|---------------------|------------------------|-----|------------|-----------------|
| 1 | RONDELLE PLATE | FLAT WASHER | M 4 ZB | 2 | 2351112030 | |
| 2 | VIS | SCREW | CHC M4X35-20 CL.8,8 ZB | 2 | 2308231220 | |
| 3 | ECROU AUTOFREINÉ | SELF-LOCKED NUT | H FR M4 CL. 8 ZB | 2 | 2349221480 | |
| 4 | RONDELLE ÉLASTIQUE | RUBBER WASHER | W 8 ZB | 1 | 2351201070 | |
| 5 | VIS | SCREW | H M8X30-30 CL.8,8 ZB | 1 | 2331231440 | |
| 6 | VIS | SCREW | FS M5X20 CL. 4.8 ZB | 1 | 2303329070 | |
| 7 | VIS | SCREW | CHC M8X20-20 CL.8,8 ZB | 2 | 2308231690 | |
| 8 | AXE DE COMMANDE | CONTROL PIN | | 1 | 157C170840 | |
| 9 | RESSORT | SPRING | Ø32 ØFIL2.5 LG160 | 1 | 2421801540 | |
| 10 | INTERRUPTEUR DE POSITION | POSITION SWITCH | D4D-1520N | 1 | 2440901490 | |
| 11 | PRESSE-ÉTOUPE RÉDUCTEUR | REDUCER PACKING BOX | 13/7 - S020246 | 1 | 2441613010 | |
| 12 | BUTÉE SUPPORT FLECHE 24 | STOP | | 1 | 150C163070 | |
| 13 | PATIN | PAD | | 1 | 150D166260 | |
| | | | | | | |
| | | | | | | |
| | | | | | | |
| | | | | | | |
| | | | | | | |
| | | | | | | |
| | | | | | | |
| | | | | | | |
| | | | | | | |
| | | | | | | |
| | | | | | | |
| | | | | | | |
| | | | | | | |
| | | | | | | |
| | | | | | | |
| | | | | | | |
| | | | | | | |
| | | | | | | |
| | | | | | | |



157B167390.D

▲ RÉSERVOIR HYDRAULIQUE
HYDRAULIC RESERVOIR

| Rep. | Désignation | Designation | Specification | Qty | Code | Up to / jusqu'à |
|------|-----------------------|---------------------|-----------------------|-----|------------|-----------------|
| 1 | VIS | SCREW | H M12X40-40 CL.8.8 ZB | 2 | 2331231790 | |
| 2 | VIS | SCREW | H M12X50-30 CL.8.8 ZB | 2 | 2301231960 | |
| 3 | ECROU | NUT | H M12 CL. 8 ZB | 2 | 2341221090 | |
| 4 | RONDELLE ÉLASTIQUE | RUBBER WASHER | W 12 ZB | 4 | 2351201100 | |
| 5 | RÉSERVOIR HYDRAULIQUE | HYDRAULIC RESERVOIR | | 1 | 148B154340 | |
| 6 | JOINT CUIVRE | COPPER SEAL | 13,4 X 17 X 1,5 | 1 | 2396013060 | |
| 7 | THERMOCONTACTEUR | THERMAL SWITCH | TS 80 | 1 | 2442001090 | |
| 8 | ROBINET | VALVE | KHN VN G 1'1/2 - 2233 | 1 | 2421804270 | |
| | | | | | | |
| | | | | | | |
| | | | | | | |
| | | | | | | |
| | | | | | | |
| | | | | | | |
| | | | | | | |
| | | | | | | |
| | | | | | | |
| | | | | | | |
| | | | | | | |
| | | | | | | |
| | | | | | | |
| | | | | | | |
| | | | | | | |
| | | | | | | |
| | | | | | | |
| | | | | | | |
| | | | | | | |
| | | | | | | |
| | | | | | | |
| | | | | | | |
| | | | | | | |
| | | | | | | |

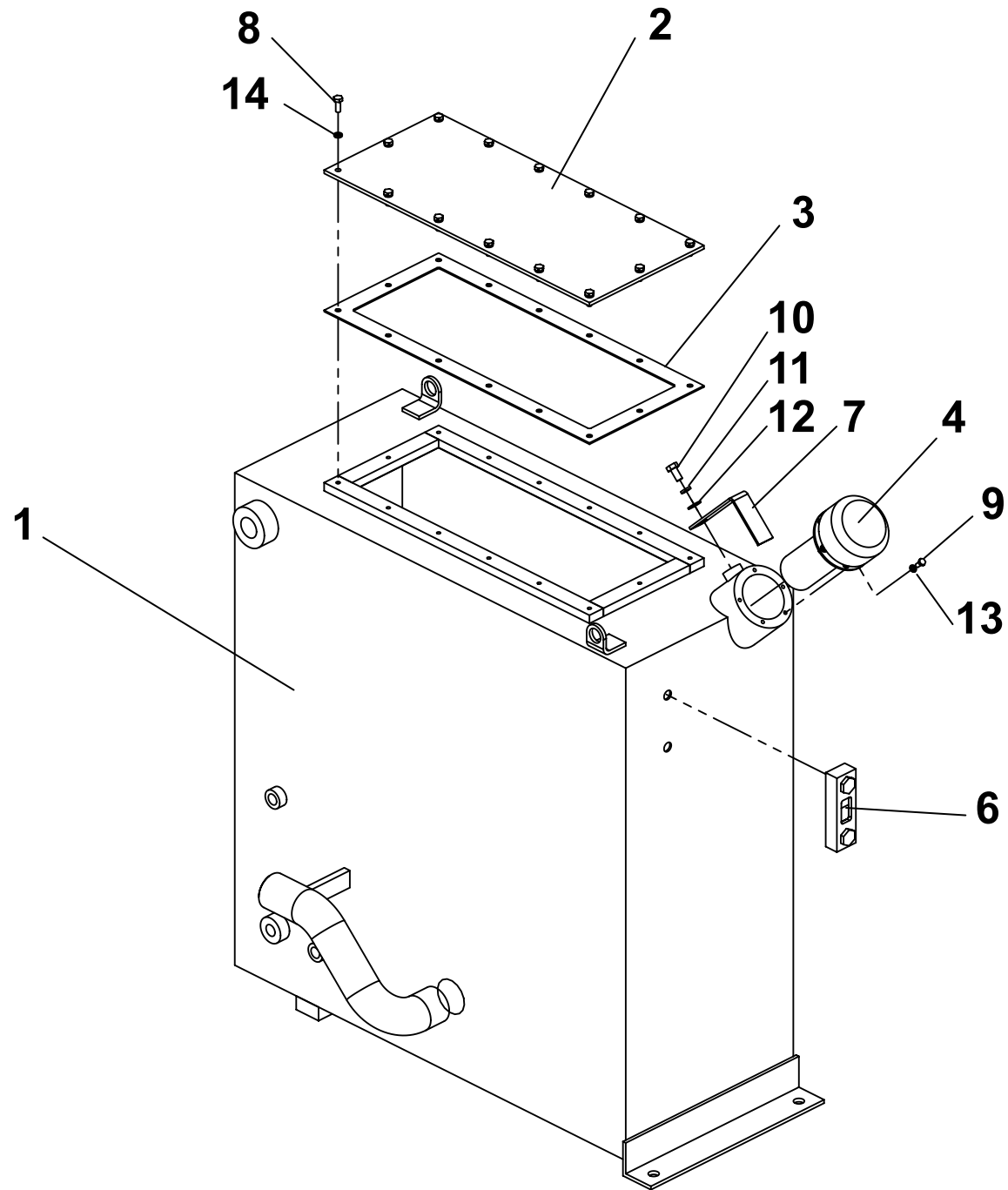


B14270 C

▲ RÉSERVOIR HYDRAULIQUE HYDRAULIC RESERVOIR

◀ B8-5 ▶

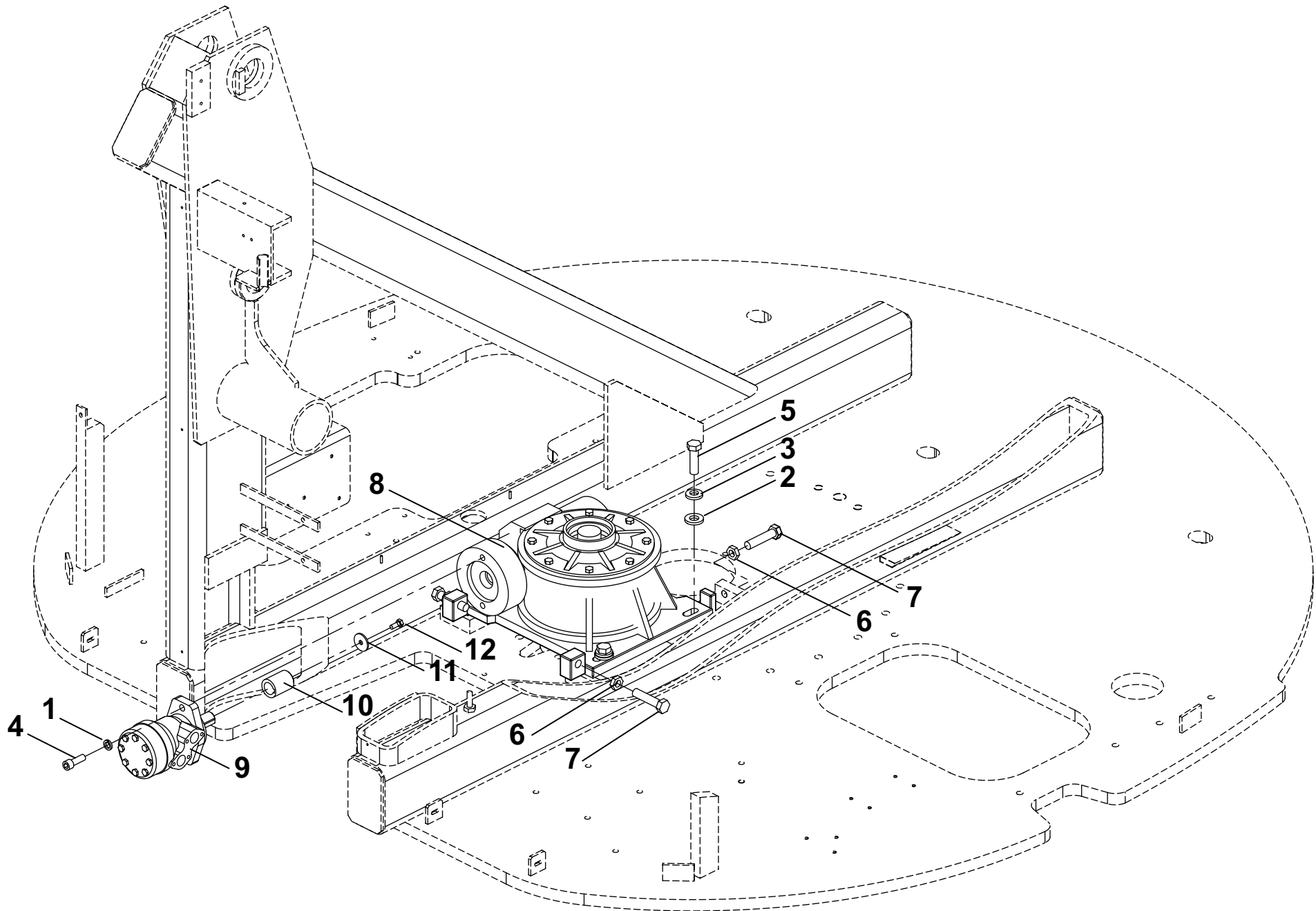
| Rep. | Désignation | Designation | Specification | Qty | Code | Up to / jusqu'à |
|------|------------------------|---------------------|----------------------|-----|------------|-----------------|
| 1 | RÉSERVOIR HYDRAULIQUE | HYDRAULIC RESERVOIR | | 1 | 150A138570 | |
| 2 | COUVERCLE | COVER | | 1 | 150C133130 | |
| 3 | JOINT D'ÉTANCHÉITÉ | SEALING RING | | 1 | 168B136960 | |
| 4 | BOUCHON DE REMPLISSAGE | FILLING PLUG | | 1 | 2420203940 | |
| 5 | BOUCHON | PLUG | 3/4 G | 1 | 2420203470 | |
| 6 | NIVEAU | LEVEL | | 1 | 2421401560 | |
| 7 | SÉCURITÉ SUR BOUCHON | SAFETY ON PLUG | | 1 | 150D152530 | |
| 8 | VIS | SCREW | H M6X16-16 CL.8.8 ZB | 14 | 2331231310 | |
| 9 | VIS | SCREW | H M5X10-10 CL.8.8 ZB | 6 | 2331231200 | |
| 10 | VIS | SCREW | H M8X16-16 CL.8.8 ZB | 1 | 2331231400 | |
| 11 | RONDELLE ÉLASTIQUE | RUBBER WASHER | W 8 ZB | 1 | 2351201070 | |
| 12 | RONDELLE PLATE | FLAT WASHER | M 8 ZB | 1 | 2351112070 | |
| 13 | RONDELLE À DENTS | TOOTH LOCK WASHER | DEC 5 ZB | 6 | 2351301060 | |
| 14 | RONDELLE ÉLASTIQUE | RUBBER WASHER | W 6 ZB | 14 | 2351201050 | |
| | | | | | | |
| | | | | | | |
| | | | | | | |
| | | | | | | |
| | | | | | | |
| | | | | | | |
| | | | | | | |
| | | | | | | |
| | | | | | | |
| | | | | | | |
| | | | | | | |
| | | | | | | |
| | | | | | | |
| | | | | | | |



▲ RÉDUCTEUR D'ORIENTATION
DIRECTION REDUCER

◀ **B9** ▶

| Rep. | Désignation | Designation | Specification | Qty | Code | Up to / jusqu'à |
|------|-------------------------|-------------------|-------------------------|-----|------------|-----------------|
| 1 | RONDELLE ÉLASTIQUE | RUBBER WASHER | W 12 ZB | 2 | 2351201100 | |
| 2 | RONDELLE PLATE DIA 18/3 | FLAT WASHER | Ø36/18 - 5MM | 4 | 146D146850 | |
| 3 | RONDELLE | WASHER | TREP 4L Ø16 ZB | 4 | 2351901280 | |
| 4 | VIS | SCREW | CHC M12X35-35 CL.8,8 ZB | 2 | 2308232120 | |
| 5 | VIS | SCREW | H M16X55-38 CL.8.8 ZB | 4 | 2301232380 | |
| 6 | ECROU BAS | THIN NUT | HM M16 CL. 4 ZB | 4 | 2341222070 | |
| 7 | VIS | SCREW | H M16X70-70 CL.8.8 ZB | 4 | 2331232290 | |
| 8 | RÉDUCTEUR D'ORIENTATION | DIRECTION REDUCER | | 1 | 2427102120 | |
| 9 | MOTEUR | MOTOR | EPRM100C | 1 | 2431203090 | |
| 10 | ENTRETOISE | BRACE | | 1 | 157P261210 | |
| 11 | RONDELLE DIA 36/9-3 | WASHER | | 1 | 148D157280 | |
| 12 | VIS | SCREW | H M8X20-20 CL.8.8 ZB | 1 | 2331231420 | |
| | | | | | | |
| | | | | | | |
| | | | | | | |
| | | | | | | |
| | | | | | | |
| | | | | | | |
| | | | | | | |
| | | | | | | |
| | | | | | | |
| | | | | | | |
| | | | | | | |
| | | | | | | |
| | | | | | | |
| | | | | | | |
| | | | | | | |
| | | | | | | |

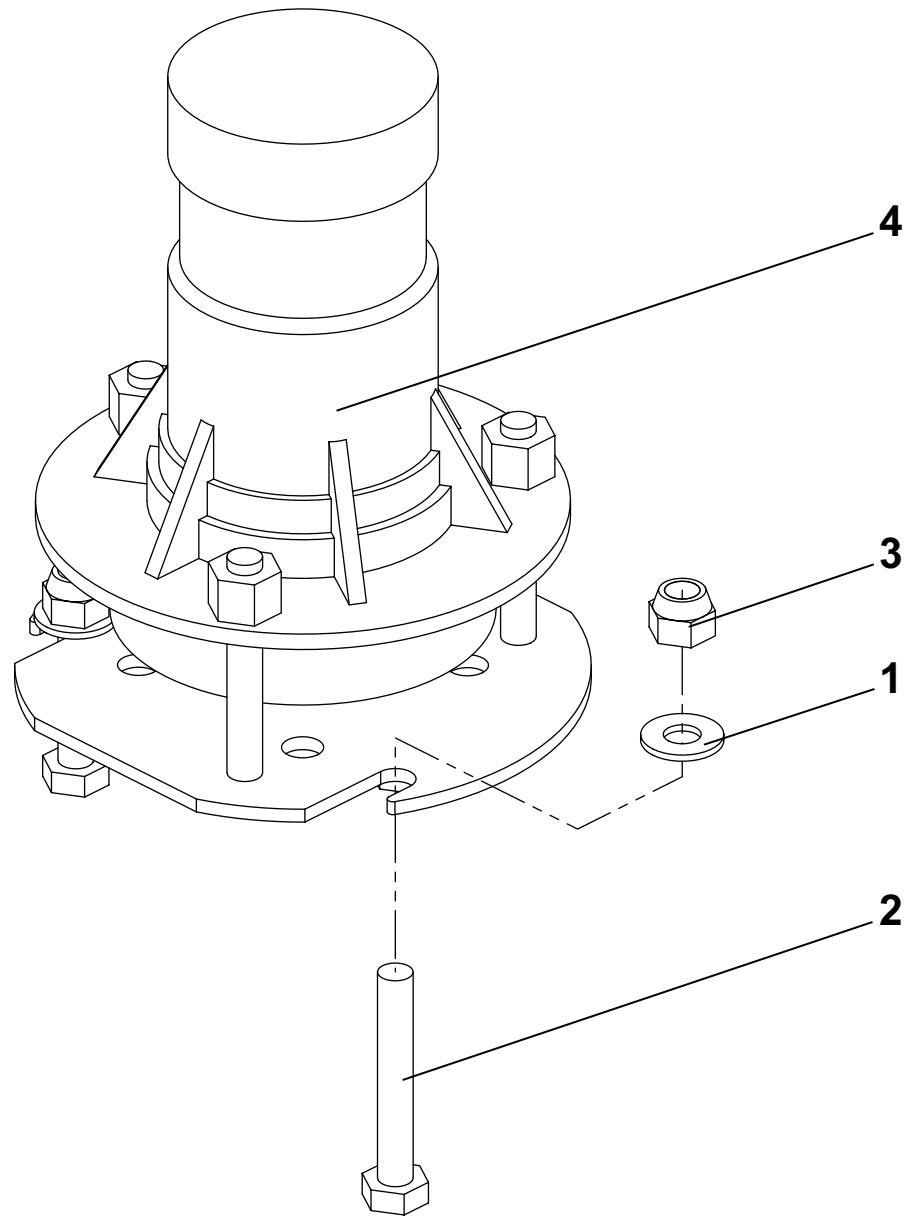


B14375.C

**▲ DÉVERS
TILT**

◀ B10 ▶

| Rep. | Désignation | Designation | Specification | Qty | Code | Up to / jusqu'à |
|------|------------------|-----------------|----------------------|-----|-------------|-----------------|
| 1 | DÉVERS | TILT | 5° S5063 | 1 | 24402034902 | |
| 2 | VIS | SCREW | H M6X40-18 CL.8.8 ZB | 3 | 2301231460 | |
| 3 | RONDELLE PLATE | FLAT WASHER | M 6 ZB | 3 | 2351112050 | |
| 4 | ECROU AUTOFREINÉ | SELF-LOCKED NUT | H FR M6 CL. 8 ZB | 3 | 2349221490 | |
| | | | | | | |
| | | | | | | |
| | | | | | | |
| | | | | | | |
| | | | | | | |
| | | | | | | |
| | | | | | | |
| | | | | | | |
| | | | | | | |
| | | | | | | |
| | | | | | | |
| | | | | | | |
| | | | | | | |
| | | | | | | |
| | | | | | | |
| | | | | | | |
| | | | | | | |
| | | | | | | |

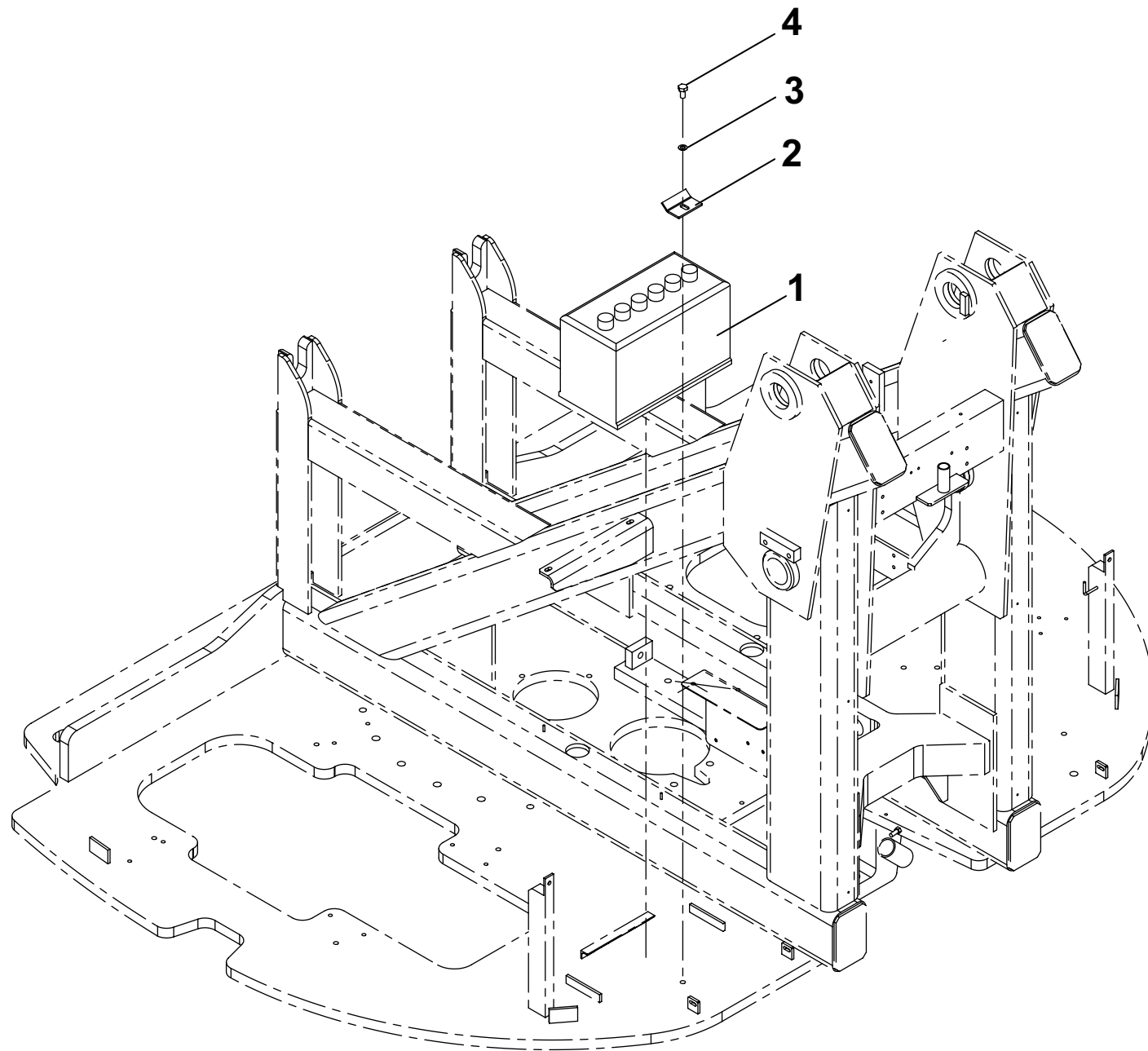


C15987 C.1

▲ **BATTERIE DE DÉMARRAGE**
STARTING BATTERY

◀ **B11** ▶

| Rep. | Désignation | Designation | Specification | Qty | Code | Up to / jusqu'à |
|------|-------------------|-------------------|-----------------------|-----|------------|-----------------|
| 1 | BATTERIE | BATTERY | 12V - 100AH -72 | 1 | 2440208630 | |
| 2 | PATTE DE FIXATION | RETAINING BRACKET | | 1 | 178D158980 | |
| 3 | RONDELLE À DENTS | TOOTH LOCK WASHER | DEC 10 ZB | 1 | 2351301110 | |
| 4 | VIS | SCREW | H M10X20-20 CL.8.8 ZB | 1 | 2331231520 | |
| | | | | | | |
| | | | | | | |
| | | | | | | |
| | | | | | | |
| | | | | | | |
| | | | | | | |
| | | | | | | |
| | | | | | | |
| | | | | | | |
| | | | | | | |
| | | | | | | |
| | | | | | | |
| | | | | | | |
| | | | | | | |
| | | | | | | |
| | | | | | | |
| | | | | | | |
| | | | | | | |
| | | | | | | |
| | | | | | | |
| | | | | | | |

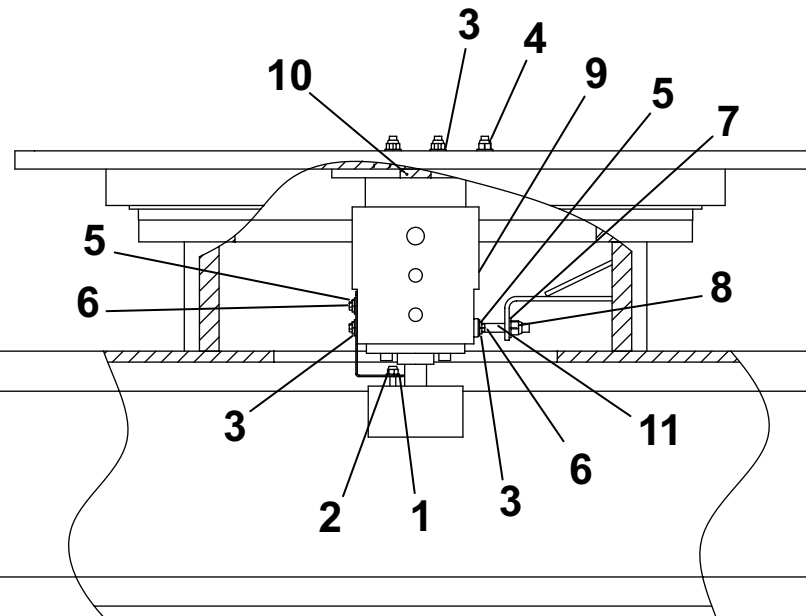


C17690.C

▲ **JOINT TOURN. HYDRAU+ÉLEC**
HYDRAULIC + ELECTRIC ROTATING SEAL

◀ B12 ▶

| Rep. | Désignation | Designation | Specification | Qty | Code | Up to / jusqu'à |
|------|--------------------|-------------------|----------------------|-----|------------|-----------------|
| 1 | RONDELLE PLATE | FLAT WASHER | M 8 ZB | 1 | 2351112070 | |
| 2 | ECROU AUTOFREINÉ | SELF-LOCKED NUT | H FR M8 CL. 8 ZB | 1 | 2349221500 | |
| 3 | RONDELLE PLATE | FLAT WASHER | M 10 ZB | 12 | 2351112090 | |
| 4 | ECROU AUTOFREINÉ | SELF-LOCKED NUT | H FR M10 CL. 8 ZB | 3 | 2349221510 | |
| 5 | RONDELLE ÉLASTIQUE | RUBBER WASHER | W 10 ZB | 9 | 2351201090 | |
| 6 | VIS | SCREW | H M10X22-22 CL8.8 ZB | 4 | 2301235990 | |
| 7 | RONDELLE PLATE | FLAT WASHER | M 12 ZB | 1 | 2351112110 | |
| 8 | ECROU AUTOFREINÉ | SELF-LOCKED NUT | H FR M12 CL. 8 ZB | 1 | 2349221520 | |
| 9 | JOINT TOURNANT | REVOLVING JOINT | | 1 | 157P257220 | |
| 10 | FIXATION | ATTACHMENT DEVICE | | 1 | 157P256010 | |
| 11 | FIXATION | ATTACHMENT DEVICE | | 1 | 157P256020 | |
| | | | | | | |
| | | | | | | |
| | | | | | | |
| | | | | | | |
| | | | | | | |
| | | | | | | |
| | | | | | | |
| | | | | | | |
| | | | | | | |
| | | | | | | |
| | | | | | | |
| | | | | | | |
| | | | | | | |
| | | | | | | |
| | | | | | | |
| | | | | | | |
| | | | | | | |

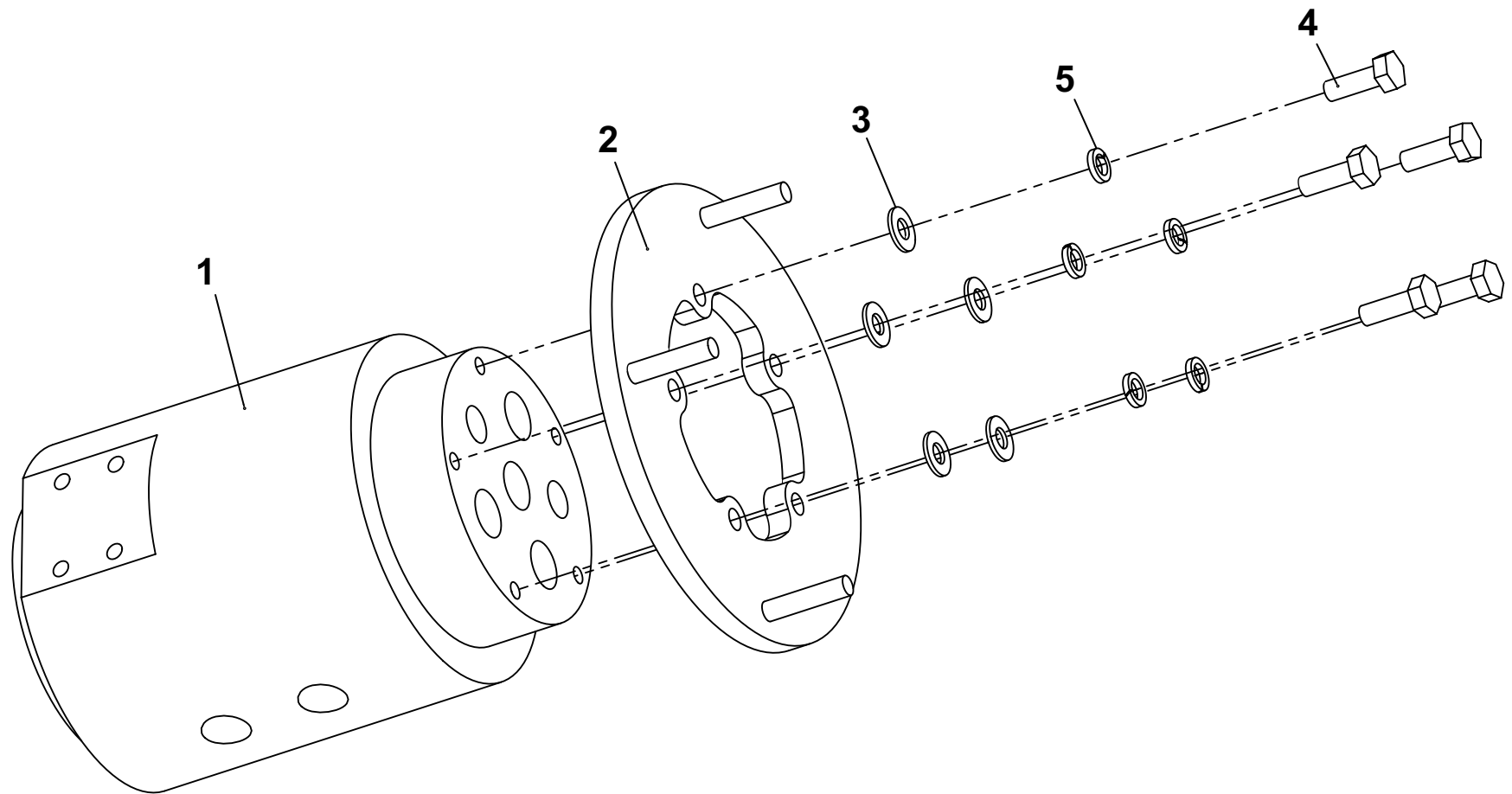


157P257270.B

▲ **JOINT TOURNANT
REVOLVING JOINT**

◀ **B12-9** ▶

| Rep. | Désignation | Designation | Specification | Qty | Code | Up to / jusqu'à |
|------|--------------------|-----------------|-----------------------|-----|------------|-----------------|
| 1 | JOINT TOURNANT | REVOLVING JOINT | | 1 | 2505000270 | |
| 2 | SUPPORT | HOLDER | | 1 | 157P256840 | |
| 3 | RONDELLE PLATE | FLAT WASHER | M 10 ZB | 5 | 2351112090 | |
| 4 | VIS | SCREW | H M10X30-26 CL.8.8 ZB | 5 | 2301231760 | |
| 5 | RONDELLE ÉLASTIQUE | RUBBER WASHER | W 10 ZB | 5 | 2351201090 | |
| | | | | | | |
| | | | | | | |
| | | | | | | |
| | | | | | | |
| | | | | | | |
| | | | | | | |
| | | | | | | |
| | | | | | | |
| | | | | | | |
| | | | | | | |
| | | | | | | |
| | | | | | | |
| | | | | | | |
| | | | | | | |
| | | | | | | |
| | | | | | | |
| | | | | | | |

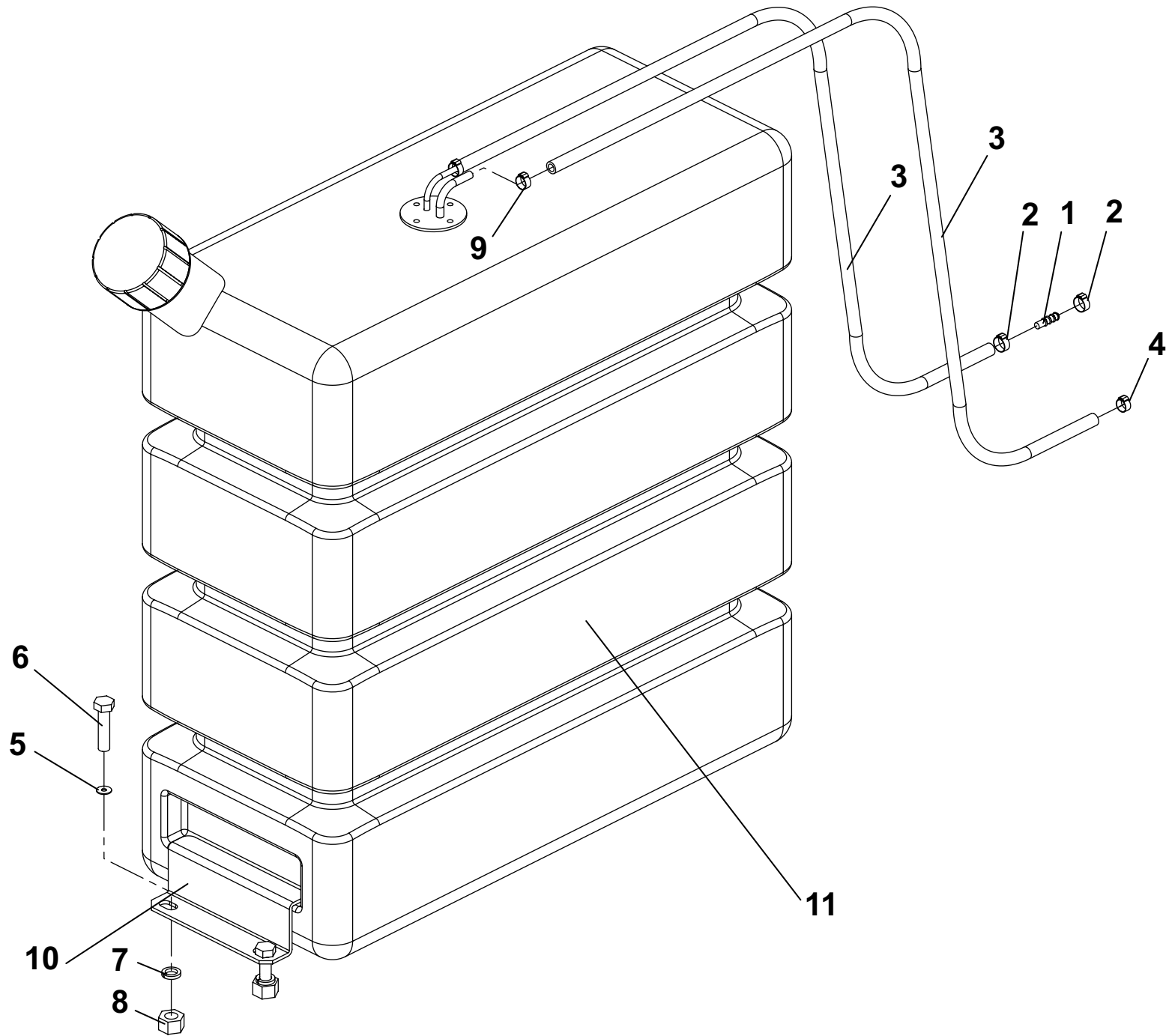


157P257220 A

**▲ RÉSERVOIR DE CARBURANT
FUEL TANK**

◀ **B13** ▶

| Rep. | Désignation | Designation | Specification | Qty | Code | Up to / jusqu'à |
|------|--------------------|--------------------|-----------------------|-----|------------|-----------------|
| 1 | RACCORD CRANTÉ | NOTCHED CONNECTION | | 1 | 2326007220 | |
| 2 | COLLIER À OREILLE | LUGGED COLLAR | Ø15,7 X 7 | 2 | 2389003830 | |
| 4 | COLLIER À OREILLE | LUGGED COLLAR | Ø13,3 X 7 | 1 | 2389003920 | |
| 5 | RONDELLE PLATE | FLAT WASHER | L 5 ZB | 2 | 2351123040 | |
| 6 | VIS | SCREW | H M12X50-30 CL.8.8 ZB | 2 | 2301231960 | |
| 7 | RONDELLE ÉLASTIQUE | RUBBER WASHER | W 12 ZB | 2 | 2351201100 | |
| 8 | ECROU | NUT | H M16 CL. 10 DC | 2 | 2700200140 | |
| 9 | COLLIER À OREILLE | LUGGED COLLAR | Ø14,2 X 7 | 2 | 2389003990 | |
| 10 | FIXATION RÉSERVOIR | TANK FIXTURE | | 1 | 157C148030 | |
| 11 | RÉSERVOIR | RESERVOIR | 140 L | 1 | 157B170620 | |
| | | | | | | |
| | | | | | | |
| | | | | | | |
| | | | | | | |
| | | | | | | |
| | | | | | | |
| | | | | | | |
| | | | | | | |
| | | | | | | |
| | | | | | | |
| | | | | | | |
| | | | | | | |
| | | | | | | |
| | | | | | | |
| | | | | | | |
| | | | | | | |
| | | | | | | |
| | | | | | | |
| | | | | | | |
| | | | | | | |

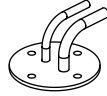
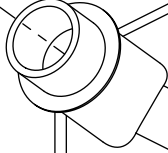
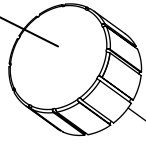


B17061.D

▲ **RÉSERVOIR**
RESERVOIR

| Rep. | Désignation | Designation | Specification | Qty | Code | Up to / jusqu'à |
|------|-------------------------------|----------------------|---------------|-----|------------|-----------------|
| 1 | <i>RÉSERVOIR</i> | <i>RESERVOIR</i> | | 1 | 157P261290 | |
| 2 | <i>BOUCHON DE REMPLISSAGE</i> | <i>FILLING PLUG</i> | | 1 | 2355901790 | |
| 3 | <i>BOUCHON DE VIDANGE</i> | <i>DRAINAGE PLUG</i> | | 1 | 2355901800 | |
| | | | | | | |
| | | | | | | |
| | | | | | | |
| | | | | | | |
| | | | | | | |
| | | | | | | |
| | | | | | | |
| | | | | | | |
| | | | | | | |
| | | | | | | |
| | | | | | | |
| | | | | | | |
| | | | | | | |
| | | | | | | |
| | | | | | | |
| | | | | | | |
| | | | | | | |
| | | | | | | |
| | | | | | | |
| | | | | | | |
| | | | | | | |
| | | | | | | |
| | | | | | | |
| | | | | | | |
| | | | | | | |
| | | | | | | |
| | | | | | | |
| | | | | | | |
| | | | | | | |
| | | | | | | |
| | | | | | | |
| | | | | | | |
| | | | | | | |
| | | | | | | |
| | | | | | | |
| | | | | | | |
| | | | | | | |

2

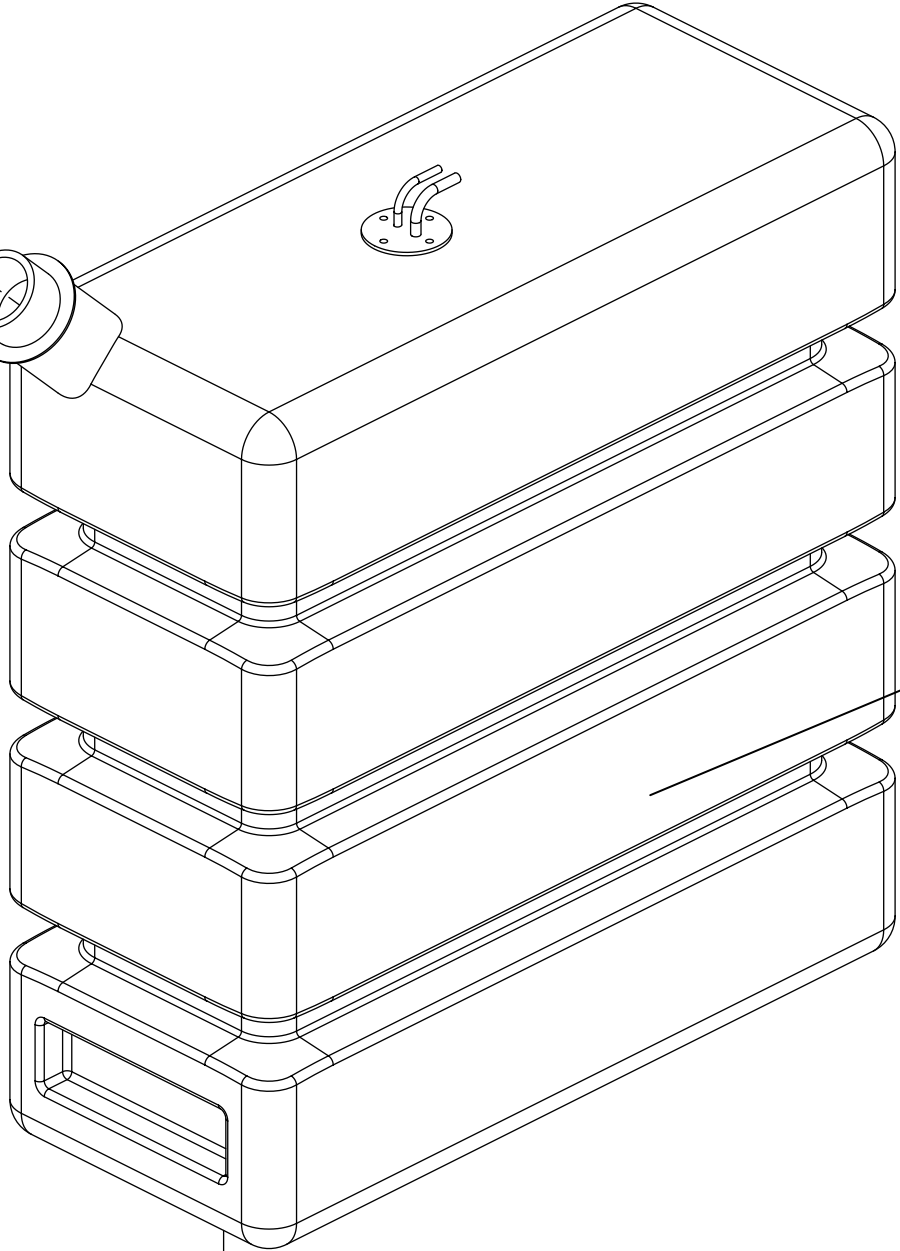


1

3



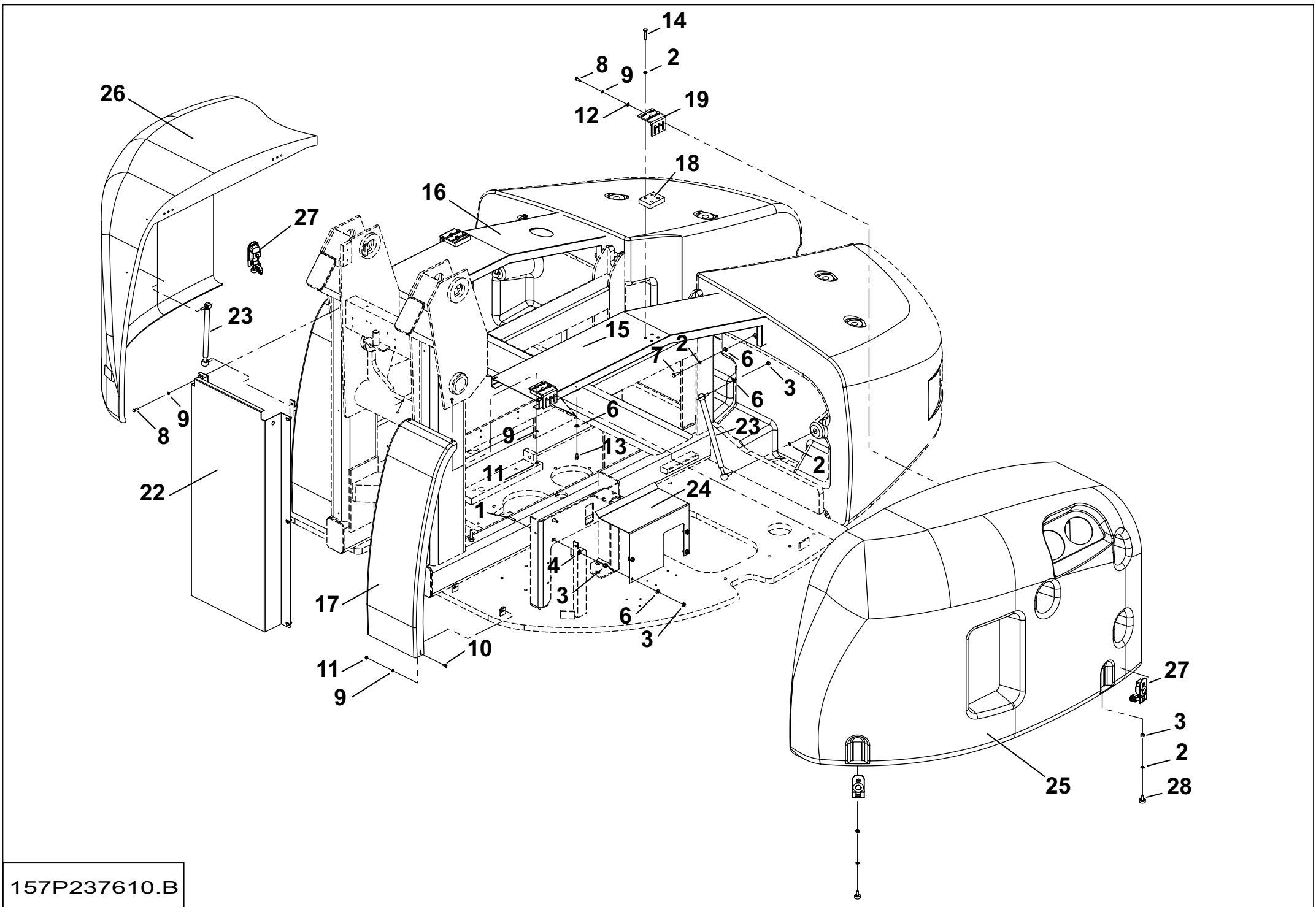
157B170620.C



▲ **CAPOTAGE TOURELLE**
TURRET COWLING

◀ **B14**
1/2 ▶

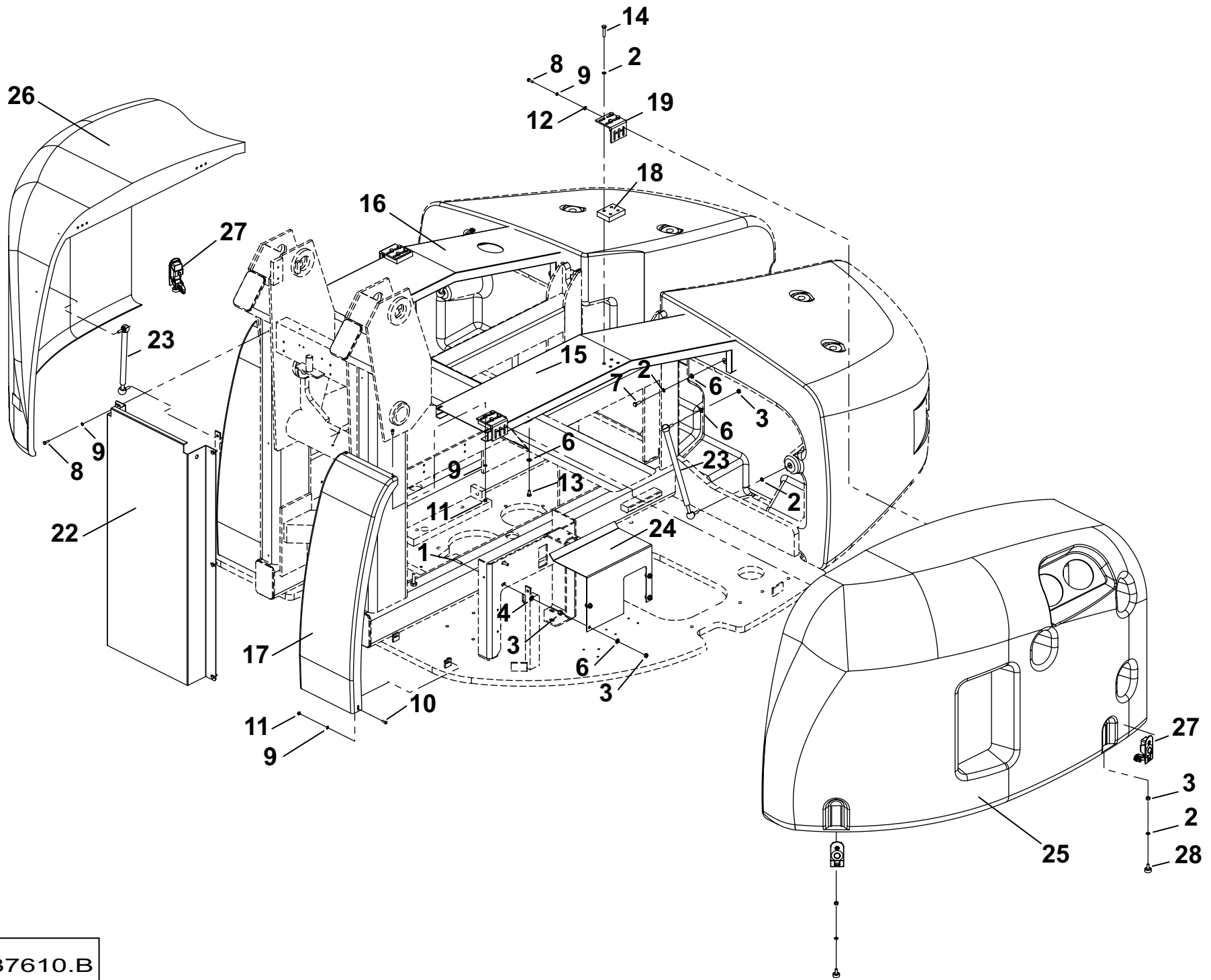
| Rep. | Désignation | Designation | Specification | Qty | Code | Up to / jusqu'à |
|------|--------------------------|-----------------------------|----------------------|-----|------------|-----------------|
| 1 | VIS À BOUT PLAT | FLAT-END SCREW | HC M8-40-45H ZB | 4 | 2316131170 | |
| 2 | RONDELLE À DENTS | TOOTH LOCK WASHER | DD 8 ZB | 30 | 2351303090 | |
| 3 | ECROU | NUT | H M8 CL. 8 ZB | 18 | 2341221070 | |
| 4 | RONDELLE PLATE | FLAT WASHER | Z 8 ZB | 4 | 2351111070 | |
| 6 | RONDELLE PLATE | FLAT WASHER | M 8 ZB | 14 | 2351112070 | |
| 7 | VIS | SCREW | H M8X25-25 CL.8.8 ZB | 4 | 2331231430 | |
| 8 | VIS | SCREW | H M6X20-20 CL.8.8 ZB | 18 | 2331231330 | |
| 9 | RONDELLE À DENTS | TOOTH LOCK WASHER | DEC 6 ZB | 26 | 2351301070 | |
| 10 | VIS | SCREW | CS M6X14 CL. 8.8 ZB | 8 | 2306329330 | |
| 11 | ECROU | NUT | H M6 CL. 8 ZB | 8 | 2341221050 | |
| 12 | RONDELLE PLATE | FLAT WASHER | M 6 ZB | 12 | 2351112050 | |
| 13 | VIS | SCREW | H M8X16-16 CL.8.8 ZB | 4 | 2331231400 | |
| 14 | VIS | SCREW | H M8X40-22 CL.8.8 ZB | 16 | 2301231670 | |
| 15 | CAPOT SUPÉRIEUR DROIT | RIGHT TOP COVER | | 1 | 157B171530 | |
| 16 | CAPOT SUPÉRIEUR GAUCHE | LEFT TOP COVER | | 1 | 157B171520 | |
| 17 | CAPOT COMPOSITE ARRIÈRE | COMPOSITE RIGHT COVER | | 2 | 150B143651 | |
| 18 | ENTRETOISE | BRACE | 85 X 65 X 20 | 4 | 150D153500 | |
| 19 | CHARNIÈRE CAPOT | COVER HINGE | | 4 | 150D153490 | |
| 20 | CADRE TUBULAIRE DROIT | RIGHT TUBULAR FRAME | | 1 | 150B143701 | |
| 21 | CADRE TUBULAIRE GAUCHE | LEFT TUBULAR FRAME | | 1 | 150B143691 | |
| 22 | CAPOT TÔLE AR | BACK PLATE COVER | | 1 | 150C174530 | |
| 23 | RESSORT À GAZ | GAS SPRING | | 4 | 2421808340 | |
| 24 | CAPOT SUR PVG32 | COVER | | 1 | 150C175730 | |
| 25 | CAPOT COMPOSITE DROIT CO | COMPOSITE RIGHT COVER | | 1 | 157A142880 | |
| 26 | CAPOT COMPOSITE GAUCHE C | COMPOSITE LEFT COVER | | 1 | 157A143530 | |
| 27 | LOQUET ÉTANCHE À LEVIER | LEVER-OPERATED SEALED LATCH | | 4 | 2421203210 | |



**▲ CAPOTAGE TOURELLE
TURRET COWLING**

**◀ B14
2/2 ▶**

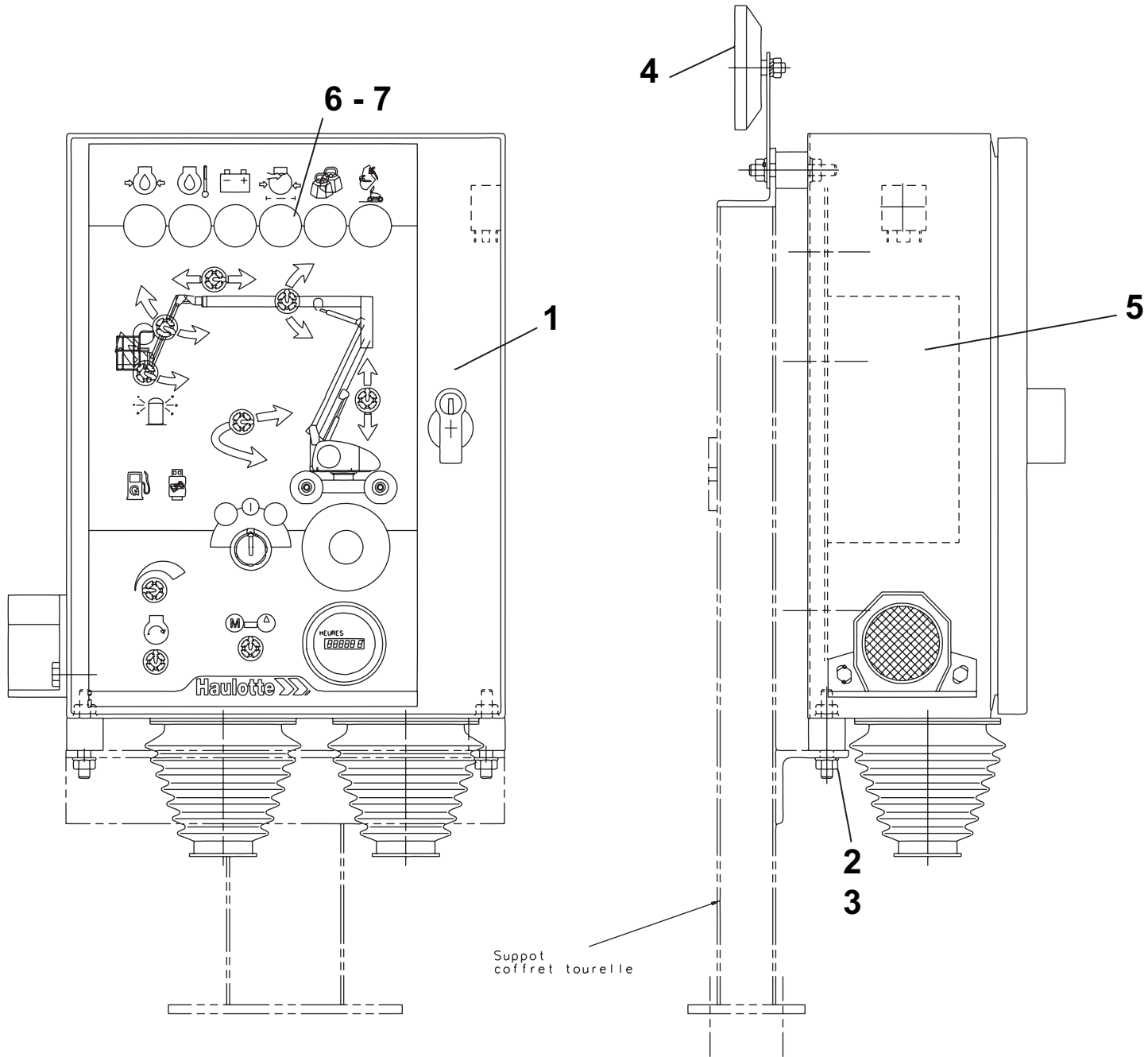
| Rep. | Désignation | Designation | Specification | Qty | Code | Up to / jusqu'à |
|------|-------------|-------------|---------------|-----|------------|-----------------|
| 28 | SILENTBLOC | SILENTBLOC | REF 511265 | 4 | 2421603380 | |
| | | | | | | |
| | | | | | | |
| | | | | | | |
| | | | | | | |
| | | | | | | |
| | | | | | | |
| | | | | | | |
| | | | | | | |
| | | | | | | |
| | | | | | | |
| | | | | | | |
| | | | | | | |
| | | | | | | |
| | | | | | | |
| | | | | | | |
| | | | | | | |
| | | | | | | |
| | | | | | | |
| | | | | | | |
| | | | | | | |
| | | | | | | |
| | | | | | | |
| | | | | | | |
| | | | | | | |
| | | | | | | |
| | | | | | | |
| | | | | | | |
| | | | | | | |
| | | | | | | |
| | | | | | | |
| | | | | | | |



**▲ ELECTRICITÉ TOURELLE
TURNTABLE ELECTRICITY**

◀ B15 ▶

| Rep. | Désignation | Designation | Specification | Qty | Code | Up to / jusqu'à |
|------|------------------|-------------------|---------------|-----|------------|-----------------|
| 1 | COFFRET TOURELLE | TURNTABLE BOX | | 1 | 157P244610 | |
| 2 | RONDELLE À DENTS | TOOTH LOCK WASHER | DEC 8 ZB | 4 | 2351301090 | |
| 3 | ECROU | NUT | H M8 CL. 8 ZB | 4 | 2341221070 | |
| 4 | AVERTISSEUR | BUZZER | 12V | 1 | 2440103250 | |
| 5 | CALCULATEUR | COMPUTER | | 1 | 2441308810 | |
| 6 | BOUCHON | PLUG | | 1 | 2440206030 | |
| 7 | CONTRE-ÉCROU | LOCK NUT | | 1 | 2440314120 | |
| | | | | | | |
| | | | | | | |
| | | | | | | |
| | | | | | | |
| | | | | | | |
| | | | | | | |
| | | | | | | |
| | | | | | | |
| | | | | | | |
| | | | | | | |
| | | | | | | |
| | | | | | | |
| | | | | | | |
| | | | | | | |
| | | | | | | |
| | | | | | | |
| | | | | | | |
| | | | | | | |
| | | | | | | |
| | | | | | | |

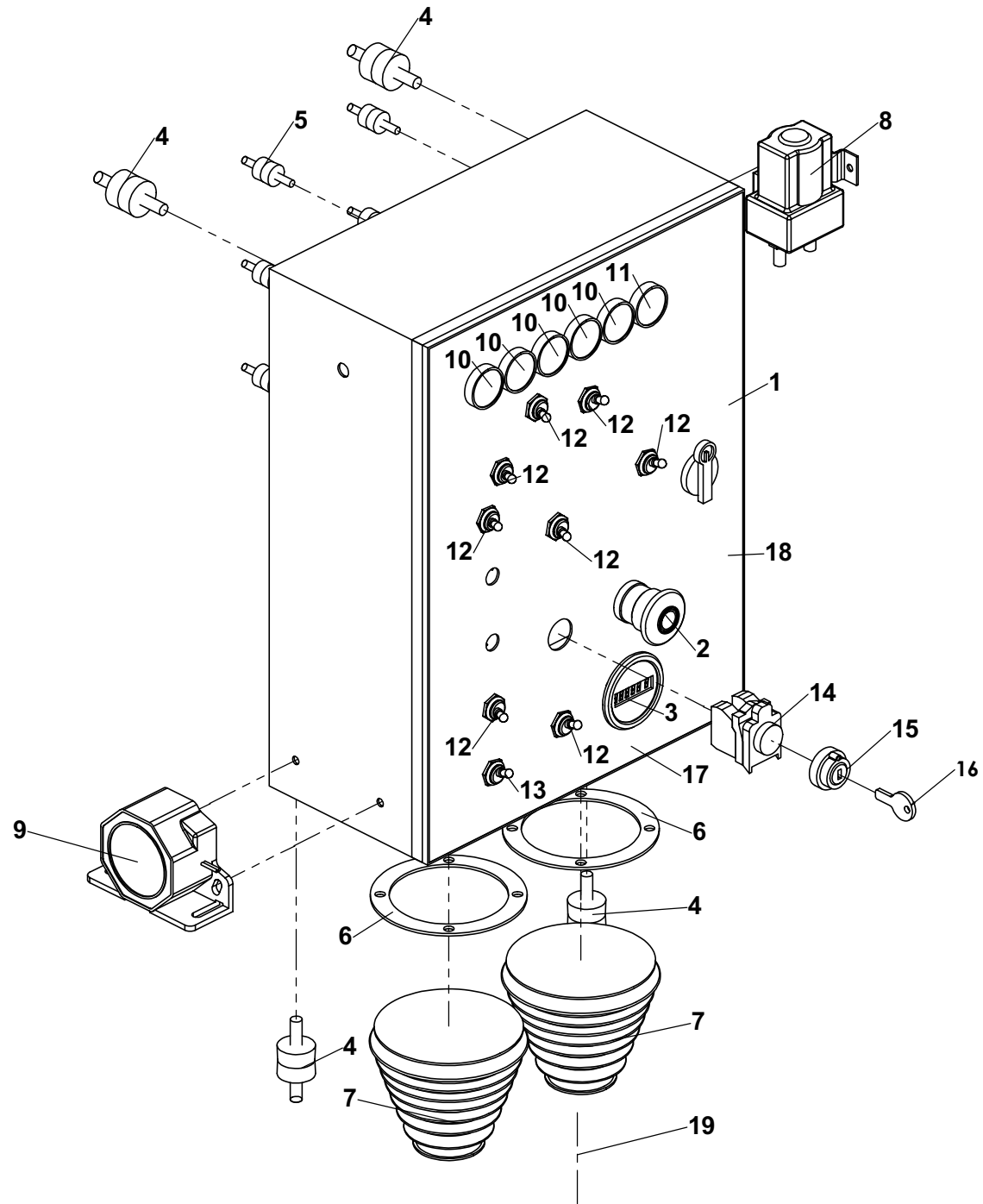


157P248400.A

▲ **COFFRET TOURELLE**
TURNTABLE BOX

◀ **B15-1** ▶

| Rep. | Désignation | Designation | Specification | Qty | Code | Up to / jusqu'à |
|------|--------------------------|---------------------------|---------------|-----|------------|-----------------|
| 1 | PERCAGE COFFRET | GANTRY DRILLING | | 1 | 2901004210 | |
| 2 | BOUTON COUP DE POING | MUSHROOM-HEADED BUTTON | | 1 | 2901004020 | |
| 3 | HORAMÈTRE | HOUR RECORDER | | 1 | 2440309010 | |
| 4 | SILENTBLOC | SILENTBLOC | | 4 | 2421902450 | |
| 5 | SILENTBLOC | SILENTBLOC | | 6 | 2421904670 | |
| 6 | RONDELLE | WASHER | | 2 | 146D141971 | |
| 7 | SOUFFLET | GAITER | V6-188 | 2 | 2421903480 | |
| 8 | RELAIS | RELAY | 12VDC 70 AM | 1 | 2441801920 | |
| 9 | AVERTISSEUR | BUZZER | | 1 | 2440103200 | |
| 10 | VOYANT ROUGE | RED LIGHT INDICATOR | | 5 | 2442202050 | |
| 11 | VOYANT | LIGHT | | 1 | 2442202060 | |
| 12 | INTER. UNIPOLAIRE LEVIER | SINGLE-POLE TOGGLE SWITCH | | 8 | 2440901620 | |
| 13 | INTER. UNIPOLAIRE LEVIER | SINGLE-POLE TOGGLE SWITCH | | 1 | 2440901640 | |
| 14 | CORPS COMPLET | CONTACT BLOCK | | 1 | 2440314390 | |
| 15 | TÊTE DE BOUTON TOURNANT | TURN KNOB HEAD | ZB4 BD5 | 1 | 2442009580 | |
| 16 | CLÉ | KEY | | 1 | 2440306540 | |
| 17 | PORTE FUSIBLE RECHANGE | SPARE FUSE HOLDER | S020070 | 1 | 2901002190 | |
| 18 | PUPITRE BAS | BOTTOM PANEL | | 1 | 307P216900 | |
| | | | | | | |
| | | | | | | |
| | | | | | | |
| | | | | | | |
| | | | | | | |
| | | | | | | |
| | | | | | | |
| | | | | | | |
| | | | | | | |
| | | | | | | |



157P244610 A



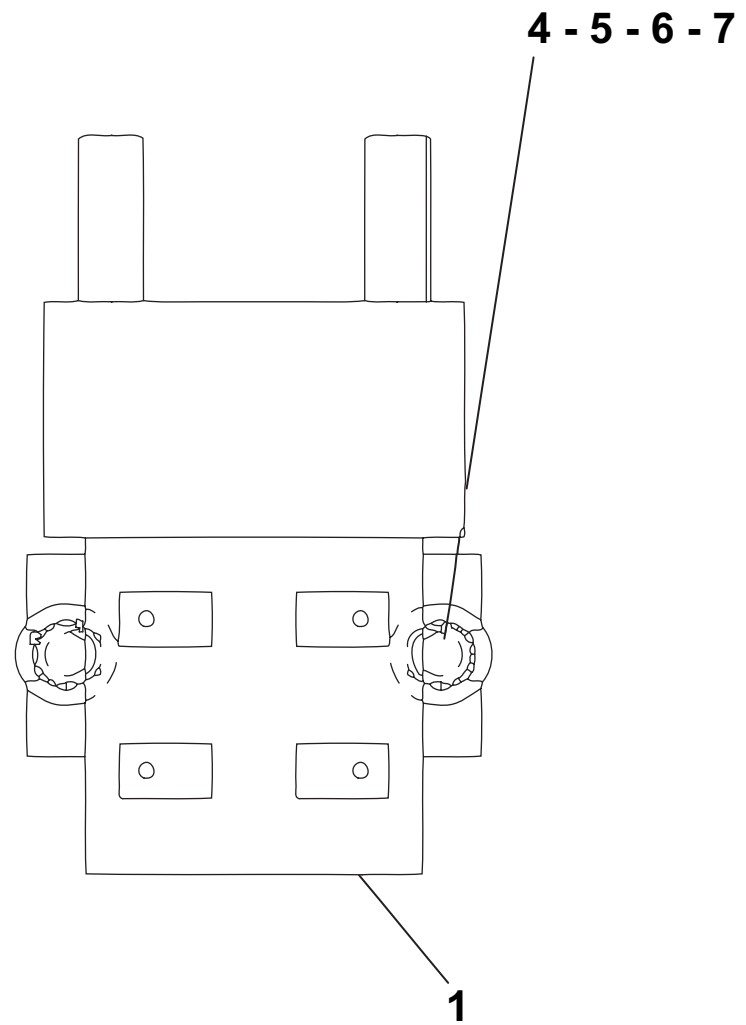
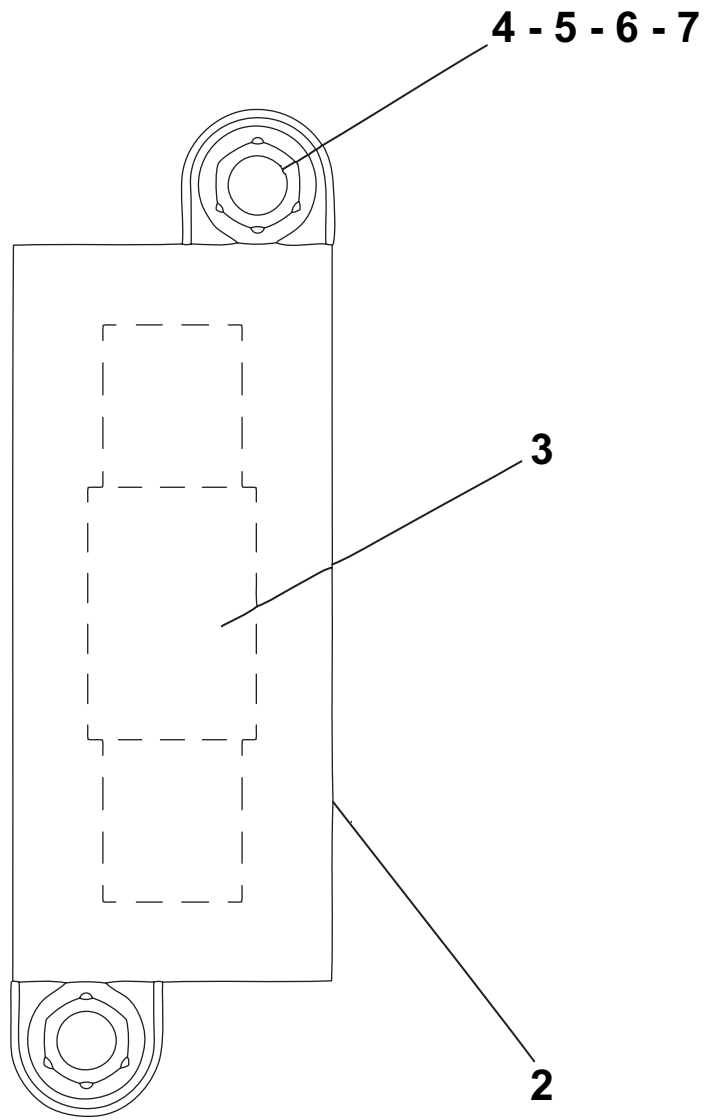
**MONT. CONTACT. ÉLECTROP.
ELECTRIC PUMP CONTACT SWITCH FITTING**



B16



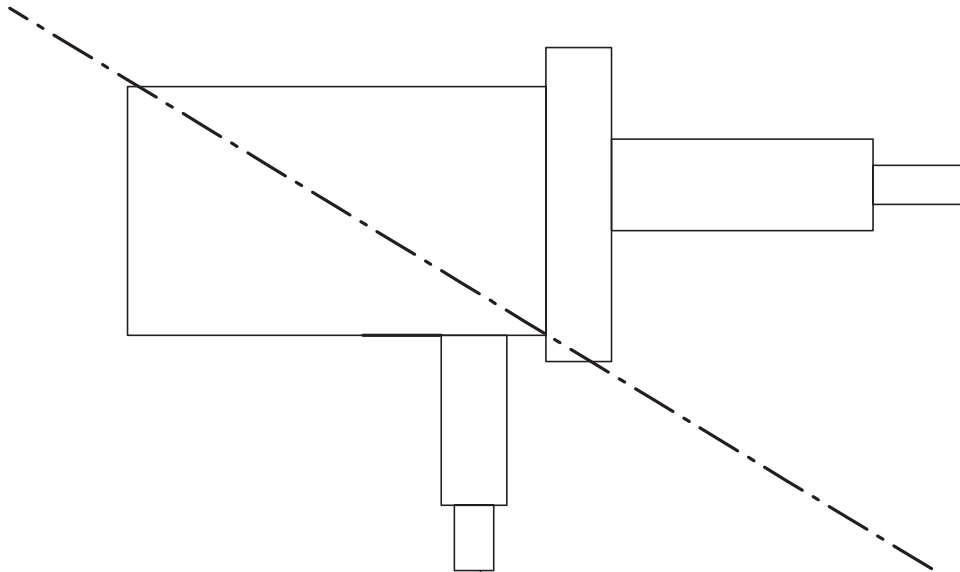
| Rep. | Désignation | Designation | Specification | Qty | Code | Up to / jusqu'à |
|------|-------------------------|-------------------|----------------------|-----|------------|-----------------|
| 1 | CONTACTEUR DE PUISSANCE | POWER SWITCH | | 1 | 2440318650 | |
| 2 | PORTE FUSIBLE | FUSE HOLDER | | 1 | 2441608140 | |
| 3 | FUSIBLE | FUSE | 250 A | 1 | 2440602480 | |
| 4 | VIS | SCREW | H M6X20-20 CL.8.8 ZB | 4 | 2331231330 | |
| 5 | RONDELLE PLATE | FLAT WASHER | M 6 ZB | 4 | 2351112050 | |
| 6 | RONDELLE À DENTS | TOOTH LOCK WASHER | DEC 6 ZB | 4 | 2351301070 | |
| 7 | ECROU | NUT | H M6 CL.8 ZB | 4 | 2341221320 | |
| | | | | | | |
| | | | | | | |
| | | | | | | |
| | | | | | | |
| | | | | | | |
| | | | | | | |
| | | | | | | |
| | | | | | | |
| | | | | | | |
| | | | | | | |
| | | | | | | |
| | | | | | | |
| | | | | | | |
| | | | | | | |
| | | | | | | |
| | | | | | | |
| | | | | | | |
| | | | | | | |
| | | | | | | |
| | | | | | | |
| | | | | | | |
| | | | | | | |
| | | | | | | |
| | | | | | | |
| | | | | | | |
| | | | | | | |
| | | | | | | |
| | | | | | | |
| | | | | | | |
| | | | | | | |
| | | | | | | |
| | | | | | | |
| | | | | | | |



▲ **CÂBLAGE JOINT TOURNANT**
ROTATING JOINT CABLING

◀ **B17** ▶

| Rep. | Désignation | Designation | Specification | Qty | Code | Up to / jusqu'à |
|------|-------------------|-----------------|---------------|-----|------------|-----------------|
| 1 | BOÎTIER | BOX | | 1 | 2440203150 | |
| 2 | DOUILLE | SOCKET | | 15 | 2440404030 | |
| 3 | BOÎTIER | BOX | | 1 | 2440203090 | |
| 4 | SOCLE | BASE | | 12 | 2440502250 | |
| 5 | COSSE CYLINDRIQUE | CYLINDRICAL LUG | | 1 | 2440305560 | |
| | | | | | | |
| | | | | | | |
| | | | | | | |
| | | | | | | |
| | | | | | | |
| | | | | | | |
| | | | | | | |
| | | | | | | |
| | | | | | | |
| | | | | | | |
| | | | | | | |
| | | | | | | |
| | | | | | | |
| | | | | | | |
| | | | | | | |
| | | | | | | |
| | | | | | | |
| | | | | | | |
| | | | | | | |
| | | | | | | |
| | | | | | | |
| | | | | | | |
| | | | | | | |
| | | | | | | |
| | | | | | | |



DE 1 A 12 :

| | | |
|----------|-----|----------|
| 308 | 307 | 807 B |
| 807 A | | 306 |
| 0 | | 304 |

15

1
2

| | | |
|-----|-----|----------|
| 818 | 813 | 814 A |
| | | 814 B |
| 201 | | 814 C |
| | 607 | 309 |

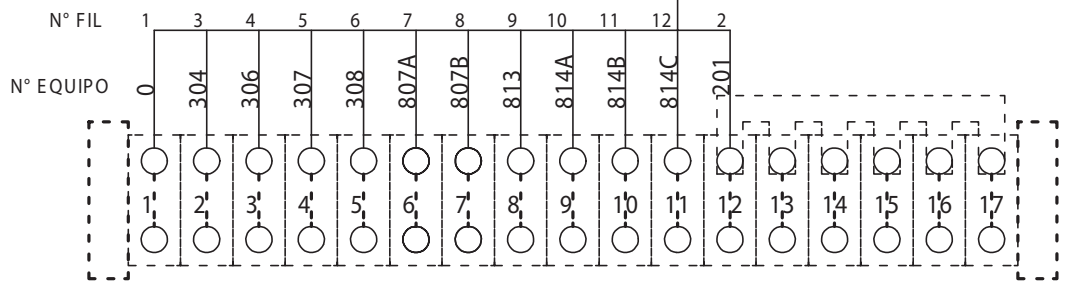
8

3
2

5
VERS FIL 28 CABLE N2

- N° FIL / N° EQUIPO
- 1 / 0
 - 2 / 201
 - 3 / 304
 - 4 / 306
 - 5 / 307
 - 6 / 308
 - 7 / 807A
 - 8 / 807B
 - 9 / 813
 - 10 / 814A
 - 11 / 814B
 - 12 / 814C

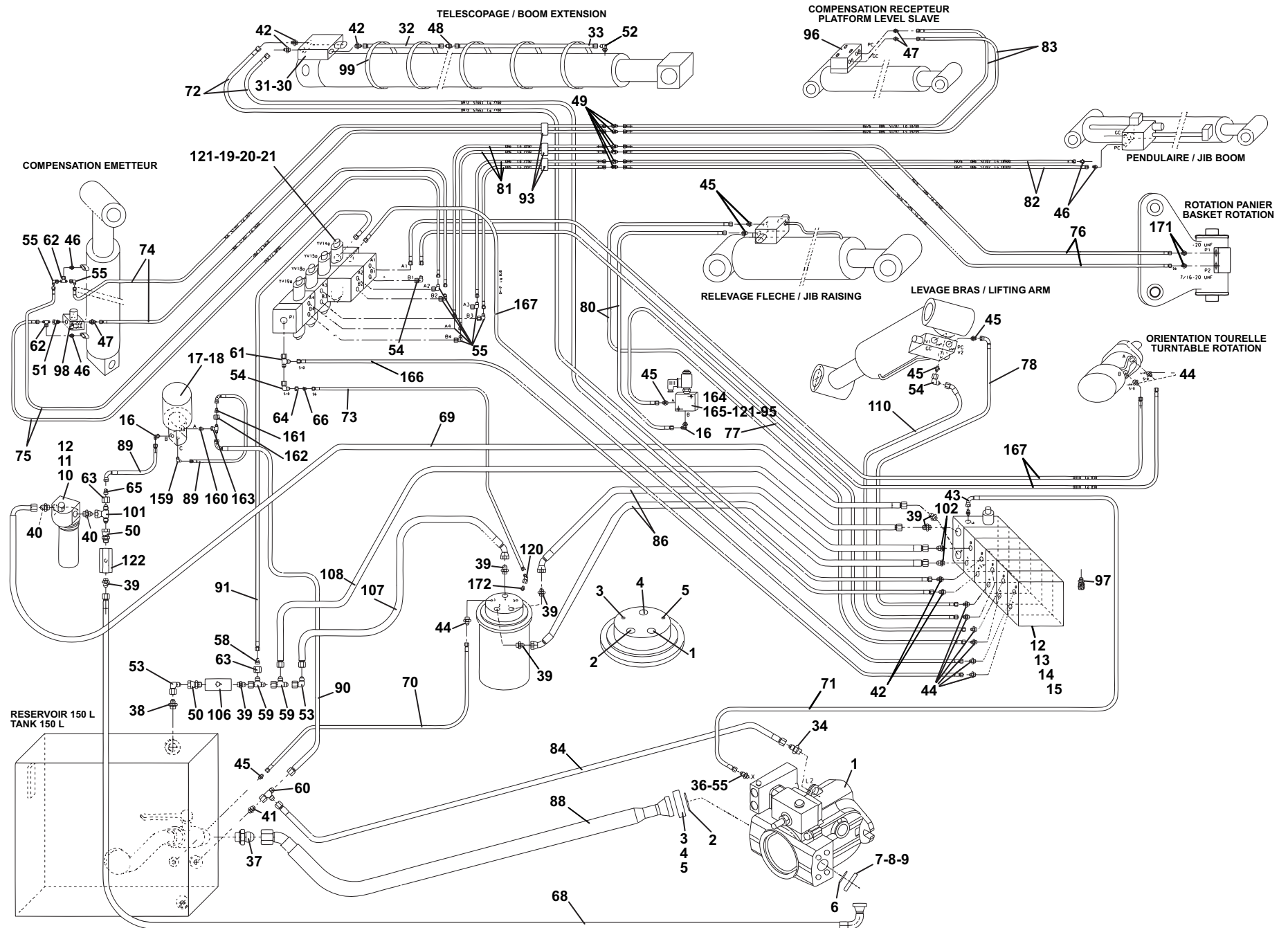
4



**▲ HYDRAULIQUE
HYDRAULICS**

**◀ B19
1/4 ▶**

| Rep. | Désignation | Designation | Specification | Qty | Code | Up to / jusqu'à |
|------|--------------------------|----------------------|--------------------------|-----|------------|-----------------|
| 2 | JOINT TORIQUE | O-RING | | 1 | 2399004400 | |
| 3 | DEMI BRIDE | SEMI-FLANGE | SAE 3000 (CODE 61) 1'1/2 | 2 | 2420402770 | |
| 4 | VIS | SCREW | CHC M12X35-35 CL.8,8 ZB | 4 | 2308232120 | |
| 5 | RONDELLE ÉLASTIQUE | RUBBER WASHER | W 12 ZB | 4 | 2351201100 | |
| 6 | JOINT TORIQUE | O-RING | | 1 | 2399004410 | |
| 7 | DEMI BRIDE | SEMI-FLANGE | SAE 3000 (CODE 61) 1' | 2 | 2420402780 | |
| 8 | VIS | SCREW | H M10X35-35 CL.8.8 ZB | 4 | 2301231770 | |
| 9 | RONDELLE ÉLASTIQUE | RUBBER WASHER | W 10 ZB | 4 | 2351201090 | |
| 10 | FILTRE PRESSION | PRESSURE FILTER | S5520 | 1 | 2420602940 | |
| 11 | VIS | SCREW | H M8X20-20 CL.8.8 ZB | 2 | 2331231420 | |
| 12 | RONDELLE ÉLASTIQUE | RUBBER WASHER | W 8 ZB | 6 | 2351201070 | |
| 13 | RONDELLE PLATE | FLAT WASHER | M 8 ZB | 4 | 2351112070 | |
| 14 | DISTRIBUTEUR | POSITION VALVE | | 1 | 2503000660 | |
| 15 | VIS À BOUT PLAT | FLAT-END SCREW | HC M8-40-45H ZB | 4 | 2316131170 | |
| 16 | COUDE MÂLE 90° JIC | MALE BEND 90 JIC | BSPP 3/8 - JIC 9/16 - 18 | 2 | 2369132280 | |
| 17 | GROUPE ÉLECTRO-POMPE | ELECTROPUMP UNIT | S5816 | 1 | 2440704150 | |
| 18 | COLLIER À VIS | SCREW COLLAR | Ø110-120 | 1 | 2389003190 | |
| 19 | BLOC MOUVEMENTS | BLOCK MOVEMENTS | S020071 | 1 | 2503000690 | |
| 20 | RONDELLE À DENTS | TOOTH LOCK WASHER | DEC 6 ZB | 4 | 2351301070 | |
| 21 | VIS | SCREW | H M6X25-25 CL.8.8 ZB | 4 | 2331231340 | |
| 30 | BLOC TÉLESCOPAGE | TELESCOPING BLOCK | | 1 | 2420211060 | |
| 31 | VIS | SCREW | CHC M10X60-32 CL.8,8 ZB | 2 | 2308231960 | |
| 32 | TUBE HYDRAULIQUE | HYDRAULIC TUBE | | 1 | 157C148070 | |
| 33 | TUBE HYDRAULIQUE | HYDRAULIC TUBE | | 1 | 157C144230 | |
| 34 | UNION MÂLE JIC | MALE UNION PIECE JIC | UNF7-8 -14 - JIC 7-8 -14 | 1 | 2369111400 | |
| 35 | RACCORD M JIC37 (12) M 7 | FITTING | M-3/4-16, M-7/16-20 | 1 | 150D154050 | |

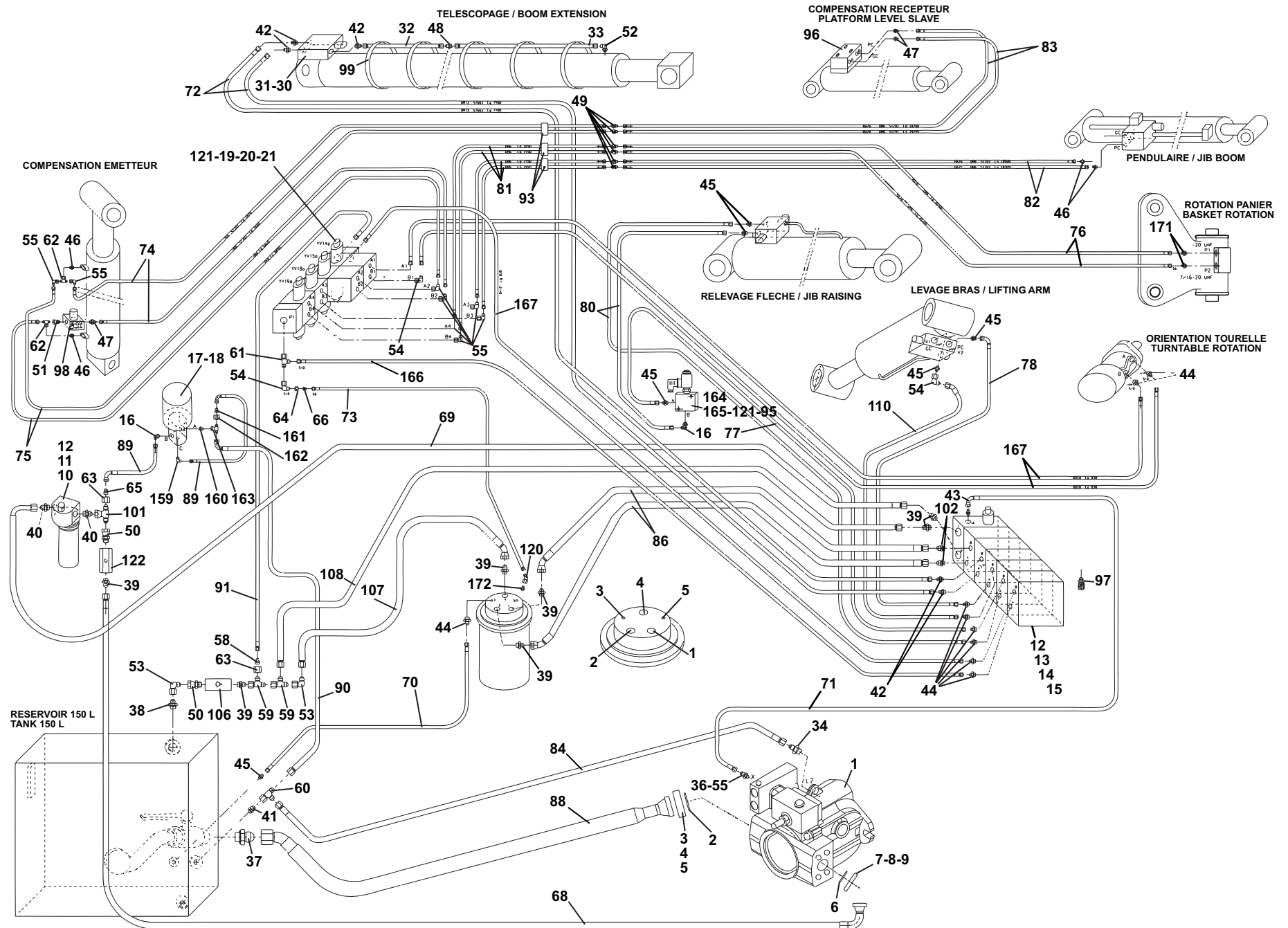


157P256170 A

**▲ HYDRAULIQUE
HYDRAULICS**

**◀ B19 ▶
2/4**

| Rep. | Désignation | Designation | Specification | Qty | Code | Up to / jusqu'à |
|------|--------------------------|-----------------------------------|--------------------------|-----|------------|-----------------|
| 36 | JOINT TORIQUE | O-RING | Ø8,92 D TORE | 1 | 2394900180 | |
| 37 | UNION MÂLE JIC | MALE UNION PIECE JIC | BSPP1+1/2 -JIC 1+7/8 -12 | 1 | 2369110420 | |
| 38 | UNION M JIC37(18) M1" BS | UNION PIECE | | 1 | 2369110220 | |
| 39 | UNION | UNION PIECE | M.JIC 37 | 7 | 2369117210 | |
| 40 | UNION MÂLE JIC | MALE UNION PIECE JIC | M22X1,5 -JIC 1+1/16 - 12 | 2 | 2369112130 | |
| 41 | UNION MÂLE JIC | MALE UNION PIECE JIC | BSPP 1/2 - JIC 7/8 - 14 | 1 | 2369110170 | |
| 42 | UNION MÂLE JIC | MALE UNION PIECE JIC | BSPP 1/2 - JIC 3/4 - 16 | 5 | 2369117110 | |
| 43 | UNION MÂLE JIC | MALE UNION PIECE JIC | BSPP 14 - JIC 3/4 - 16 | 1 | 2369117350 | |
| 44 | UNION MÂLE JIC | MALE UNION PIECE JIC | BSPP1/2 - JIC 9/16 - 18 | 9 | 2369117370 | |
| 45 | UNION MÂLE JIC | MALE UNION PIECE JIC | BSPP 3/8 - JIC 9/16 - 18 | 6 | 2369117360 | |
| 46 | UNION MÂLE JIC | MALE UNION PIECE JIC | BSPP 3/8 - JIC 7/16 - 20 | 4 | 2369117000 | |
| 47 | UNION MÂLE JIC | MALE UNION PIECE JIC | BSPP 1/4 - JIC 7/16 - 20 | 3 | 2369117120 | |
| 48 | UNION ÉGALE JIC | UNION PIECE JIC | 3/4 - 16 | 1 | 2369101120 | |
| 49 | UNION ÉGALE T.C JIC | UNION PIECE T.C JIC | 7/16 - 20 | 6 | 2369170150 | |
| 50 | ADAPTEUR MÂLE ORIENT JIC | MALE ORIENT. ADAPTOR (JIC) | BSPP3/4 -JIC 1+1/16 -12 | 2 | 2369164210 | |
| 51 | ADAPTEUR MÂLE ORIENT JIC | MALE ORIENT. ADAPTOR (JIC) | BSPP 1/4 - JIC 7/16 - 20 | 1 | 2369164020 | |
| 52 | COUDE MÂLE 90° JIC | MALE BEND 90 JIC | BSPP 3/8 - JIC 3/4 - 16 | 1 | 2369132130 | |
| 53 | COUDE ORIENT. 90° JIC | ADJUSTABLE BEND 90° JIC | 1+1/16 - 12 | 2 | 2369135180 | |
| 54 | COUDE ORIENT. 90° JIC | ADJUSTABLE BEND 90° JIC | 9/16 - 18 | 2 | 2369135210 | |
| 55 | COUDE ORIENT. 90° JIC | ADJUSTABLE BEND 90° JIC | 7/16 - 20 | 8 | 2369135190 | |
| 58 | RÉDUCTION M-F JIC | CONNECTING SOCKET | 1+1/16 -12 - 3/4 - 16 | 1 | 2369191270 | |
| 59 | TÉ ORIENT. RENV. JIC | REV. ORIENT. TEE CONNECTION (JIC) | 1+1/16 - 12 | 2 | 2369154200 | |
| 60 | TÉ ORIENT. RENV. JIC | REV. ORIENT. TEE CONNECTION (JIC) | 7/8 - 14 | 1 | 2369154160 | |
| 61 | TÉ ORIENT. RENV. JIC | REV. ORIENT. TEE CONNECTION (JIC) | 9/16 - 18 | 1 | 2369147010 | |
| 62 | TÉ ORIENT. ÉGAL JIC | REGULAR ORIENT. TEE CONNECTION | 7/16 - 20 | 2 | 2369155080 | |
| 63 | ECROU JIC | JIC NUT | | 2 | 2369192180 | |

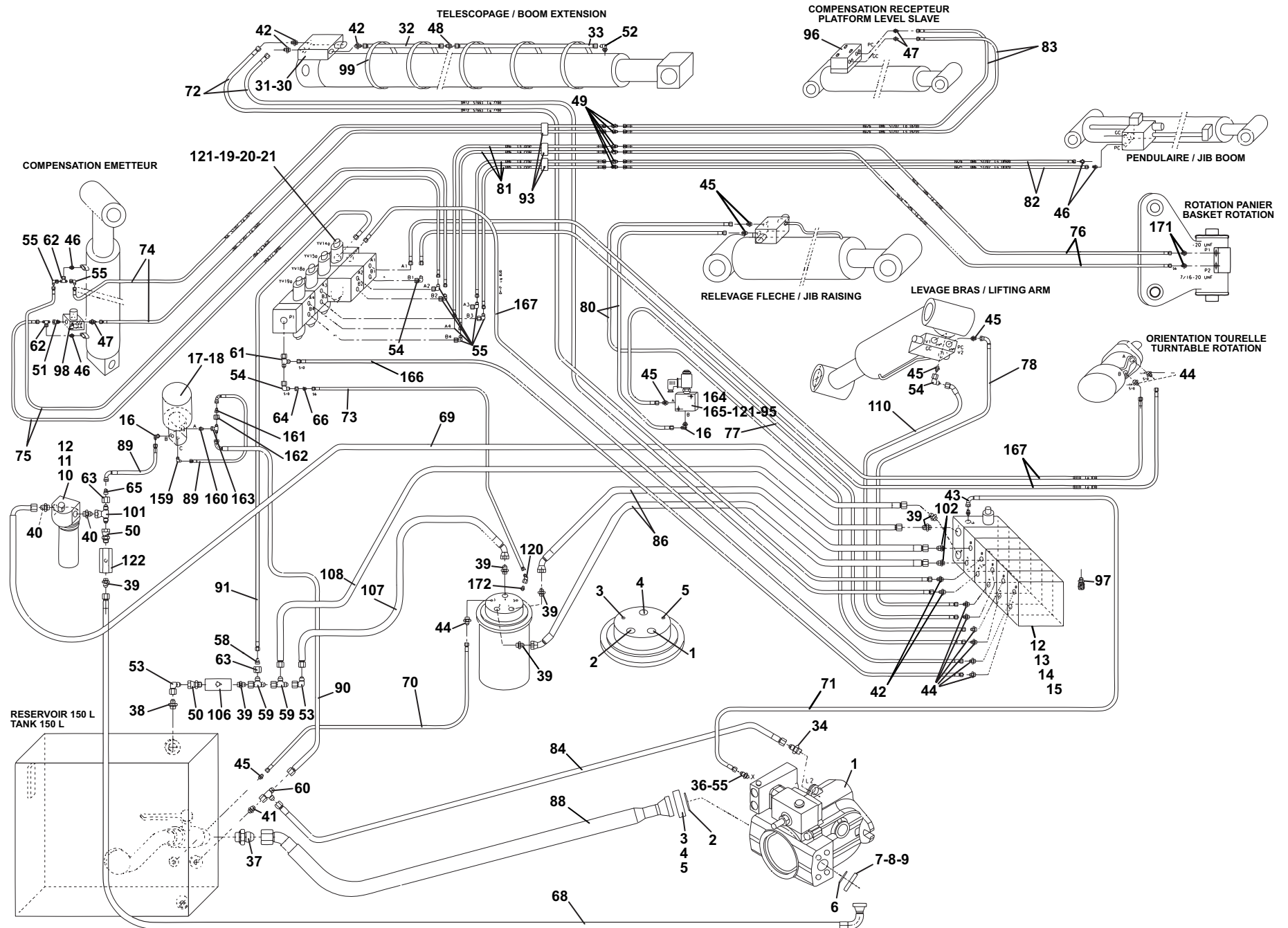


157P256170 A

**▲ HYDRAULIQUE
HYDRAULICS**

**◀ B19
3/4 ▶**

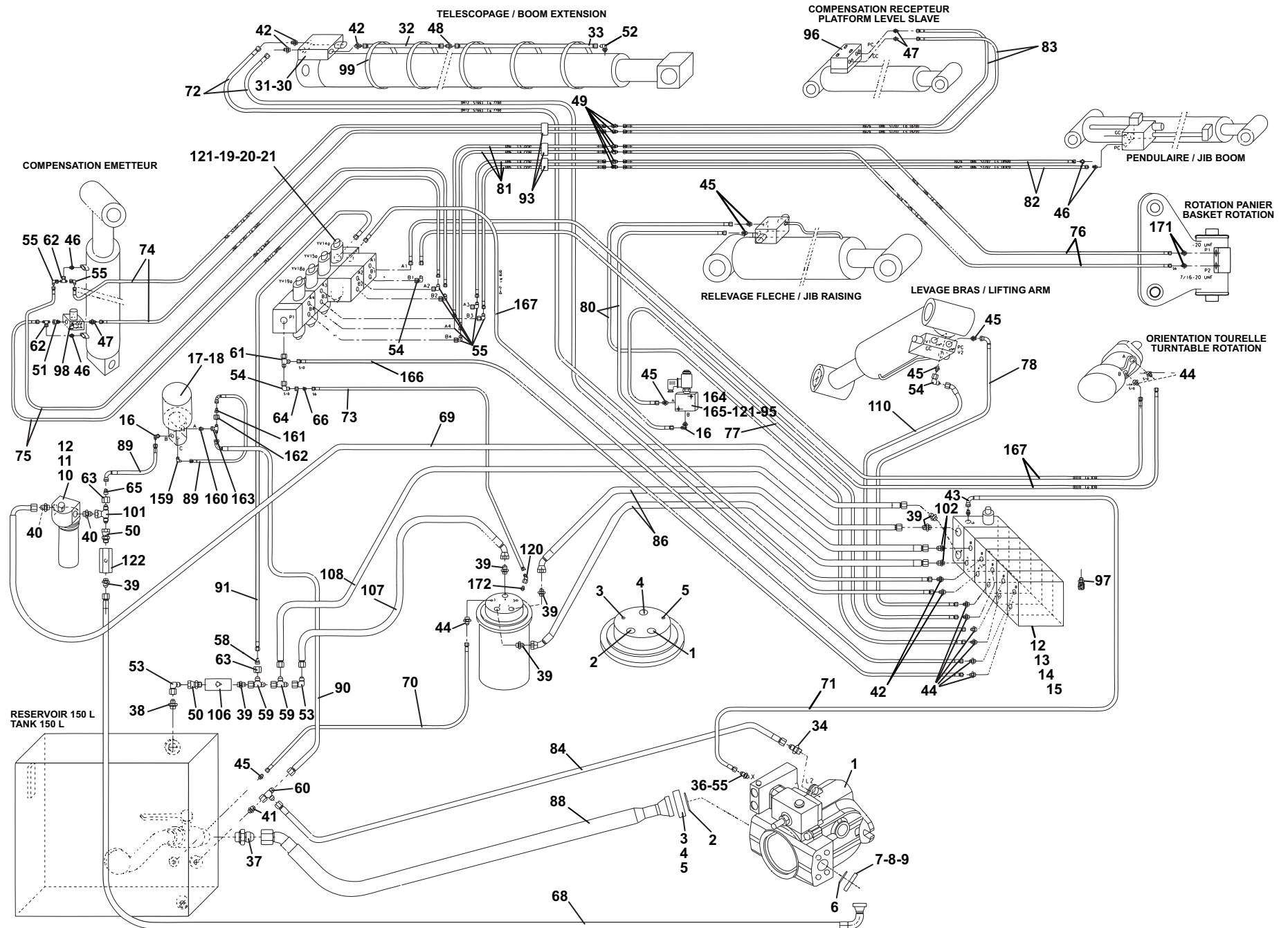
| Rep. | Désignation | Designation | Specification | Qty | Code | Up to / jusqu'à |
|------|---------------------|-------------------|------------------------|-----|------------|-----------------|
| 64 | ECROU JIC | JIC NUT | | 1 | 2369192100 | |
| 65 | RÉDUCTION M-F JIC | CONNECTING SOCKET | 1+1/16 -12 - 9/16 - 18 | 1 | 2369191250 | |
| 66 | RÉDUCTION M-F JIC | CONNECTING SOCKET | 9/16 - 18 - 7/16 - 20 | 1 | 2369191090 | |
| 68 | FLEXIBLE | FLEXIBLE | LG=2650 | 1 | 2369076430 | |
| 69 | FLEXIBLE | FLEXIBLE | LG=1010 | 1 | 2369075390 | |
| 70 | FLEXIBLE | FLEXIBLE | SP.1786 1,2M | 1 | 2369059440 | |
| 71 | FLEXIBLE | FLEXIBLE | DN12 LG 2150 | 1 | 2369073450 | |
| 72 | FLEXIBLE | FLEXIBLE | LG=7700 | 2 | 2369076490 | |
| 73 | FLEXIBLE | FLEXIBLE | LG=1250 | 1 | 2369057050 | |
| 74 | FLEXIBLE | FLEXIBLE | LG=1640 | 2 | 2369069650 | |
| 75 | FLEXIBLE | FLEXIBLE | LG=6860 | 2 | 2369072950 | |
| 76 | FLEXIBLE | FLEXIBLE | 1/4" F/F LG 20 | 2 | 2369070720 | |
| 77 | FLEXIBLE | FLEXIBLE | SP.1756 LG 0,420 | 1 | 2369069510 | |
| 78 | FLEXIBLE | FLEXIBLE | LG 630 S5250 | 1 | 2369073810 | |
| 80 | FLEXIBLE | FLEXIBLE | LG=6500 | 2 | 2369070390 | |
| 81 | FLEXIBLE | FLEXIBLE | LG=7550 | 4 | 2369071520 | |
| 82 | FLEXIBLE | FLEXIBLE | LG=18400 | 2 | 2369070370 | |
| 83 | FLEXIBLE | FLEXIBLE | LG=18200 | 2 | 2369070380 | |
| 84 | FLEXIBLE | FLEXIBLE | LG=1530 | 1 | 2369076250 | |
| 86 | FLEXIBLE | FLEXIBLE | LG=1020 | 2 | 2369073820 | |
| 88 | FLEXIBLE | FLEXIBLE | LG=1500 | 1 | 2369076260 | |
| 89 | FLEXIBLE | FLEXIBLE | LG 650 S5250 | 2 | 2369073800 | |
| 90 | FLEXIBLE | FLEXIBLE | LG=750 | 1 | 2369073630 | |
| 91 | FLEXIBLE | FLEXIBLE | LG=1000 | 1 | 2369076550 | |
| 93 | COLLIER TYPE STAUFF | COLLAR | | 3 | 2389002520 | |
| 95 | ECROU AUTOFREINÉ | SELF-LOCKED NUT | H FR M6 CL. 8 ZB | 1 | 2349221490 | |



157P256170 A

**▲ HYDRAULIQUE
HYDRAULICS**

| Rep. | Désignation | Designation | Specification | Qty | Code | Up to / jusqu'à |
|------|--------------------------|--------------------------------|--------------------------|-----|------------|-----------------|
| 97 | PRISE MINIMESS | MINIMESS TAP | 1/4" G | 1 | 2441604150 | |
| 98 | LIMITEUR DE DEBIT EN LIG | FLOW-LIMITING VALVE | | 1 | 2421203230 | |
| 99 | COLLIER SN14/107-127 | COLLAR | | 6 | 2381401110 | |
| 101 | TÉ ORIENT. ÉGAL JIC | REGULAR ORIENT. TEE CONNECTION | 1+1/16 - 12 | 1 | 2369155200 | |
| 102 | UNION MÂLE JIC | MALE UNION PIECE JIC | BSPP1/2 - JIC 1+1/16 -12 | 2 | 2369117190 | |
| 106 | CLAPET ANTI-RETOUR | ONE-WAY VALVE | 10B S5594 | 1 | 2426602780 | |
| 107 | FLEXIBLE | FLEXIBLE | LG=1220 | 1 | 2369073840 | |
| 108 | FLEXIBLE | FLEXIBLE | LG=500 | 1 | 2369068710 | |
| 110 | FLEXIBLE | FLEXIBLE | LG=650 | 1 | 2369076440 | |
| 120 | COUDE ORIENT. 135° JIC | ADJUSTABLE BEND 135° JIC | 7/16 - 20 | 1 | 2369136080 | |
| 121 | RONDELLE PLATE | FLAT WASHER | M 6 ZB | 5 | 2351112050 | |
| 122 | CLAPET ANTI-RETOUR | ONE-WAY VALVE | 0.5B - 3/4G | 1 | 2426601900 | |
| 159 | COUDE MÂLE 90° JIC | MALE BEND 90 JIC | BSPP 1/4 -- JIC 9/16 - 1 | 1 | 2369132300 | |
| 160 | UNION MÂLE JIC | MALE UNION PIECE JIC | BSPP 3/8 - JIC 7/8 - 14 | 1 | 2369110150 | |
| 161 | RÉDUCTION M-F JIC | CONNECTING SOCKET | 7/8 - 14 - 9/16 - 18 | 1 | 2369191190 | |
| 162 | ECROU JIC | JIC NUT | | 1 | 2369192160 | |
| 163 | TÉ ORIENT. ÉGAL JIC | REGULAR ORIENT. TEE CONNECTION | 7/8 - 14 | 1 | 2369155160 | |
| 164 | ELECTROVALVE À CLAPET | FLAP ELECTROVALVE | | 1 | 2505000980 | |
| 165 | VIS | SCREW | H M6X60-18 CL.8.8 ZB | 1 | 2301231500 | |
| 166 | FLEXIBLE | FLEXIBLE | D-D 3/8' LG 500 | 1 | 2369058330 | |
| 167 | FLEXIBLE | FLEXIBLE | LG=830 | 3 | 2369070920 | |
| 171 | UNION MÂLE JIC | MALE UNION PIECE JIC | UNF7/16- 20 JIC 7/16-20 | 2 | 2369111440 | |
| 172 | UNION MÂLE JIC | MALE UNION PIECE JIC | BSPP 1/2 - JIC 7/16 - 20 | 1 | 2369117390 | |
| Non | JOINT TORIQUE | O-RING | | 1 | 2421003400 | |
| | | | | | | |
| | | | | | | |



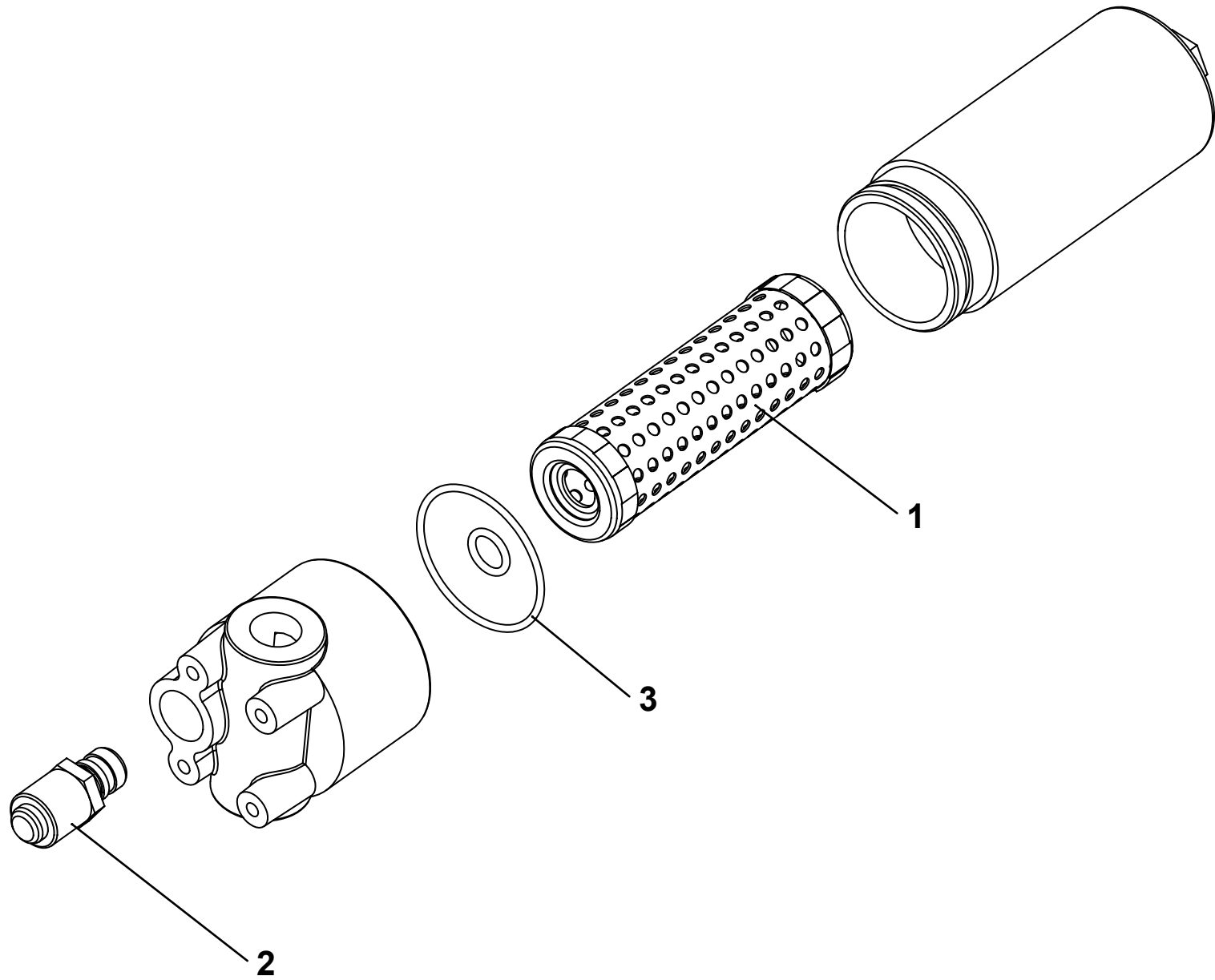
157P256170 A



FILTRE PRESSION PRESSURE FILTER

B19-
10

| Rep. | Désignation | Designation | Specification | Qty | Code | Up to / jusqu'à |
|----------|---------------------------|-----------------------|---------------|----------|-------------------|-----------------|
| <i>1</i> | <i>ELÉMENT FILTRANT</i> | <i>FILTER ELEMENT</i> | | <i>1</i> | <i>2427002910</i> | |
| <i>2</i> | <i>INDICATEUR</i> | <i>INDICATOR</i> | | <i>1</i> | <i>2420901560</i> | |
| <i>3</i> | <i>POCHETTE DE JOINTS</i> | <i>BAG OF SEALS</i> | | <i>1</i> | <i>2421101710</i> | |
| | | | | | | |
| | | | | | | |
| | | | | | | |
| | | | | | | |
| | | | | | | |
| | | | | | | |
| | | | | | | |
| | | | | | | |
| | | | | | | |
| | | | | | | |
| | | | | | | |
| | | | | | | |
| | | | | | | |
| | | | | | | |
| | | | | | | |
| | | | | | | |
| | | | | | | |
| | | | | | | |
| | | | | | | |
| | | | | | | |
| | | | | | | |
| | | | | | | |
| | | | | | | |
| | | | | | | |

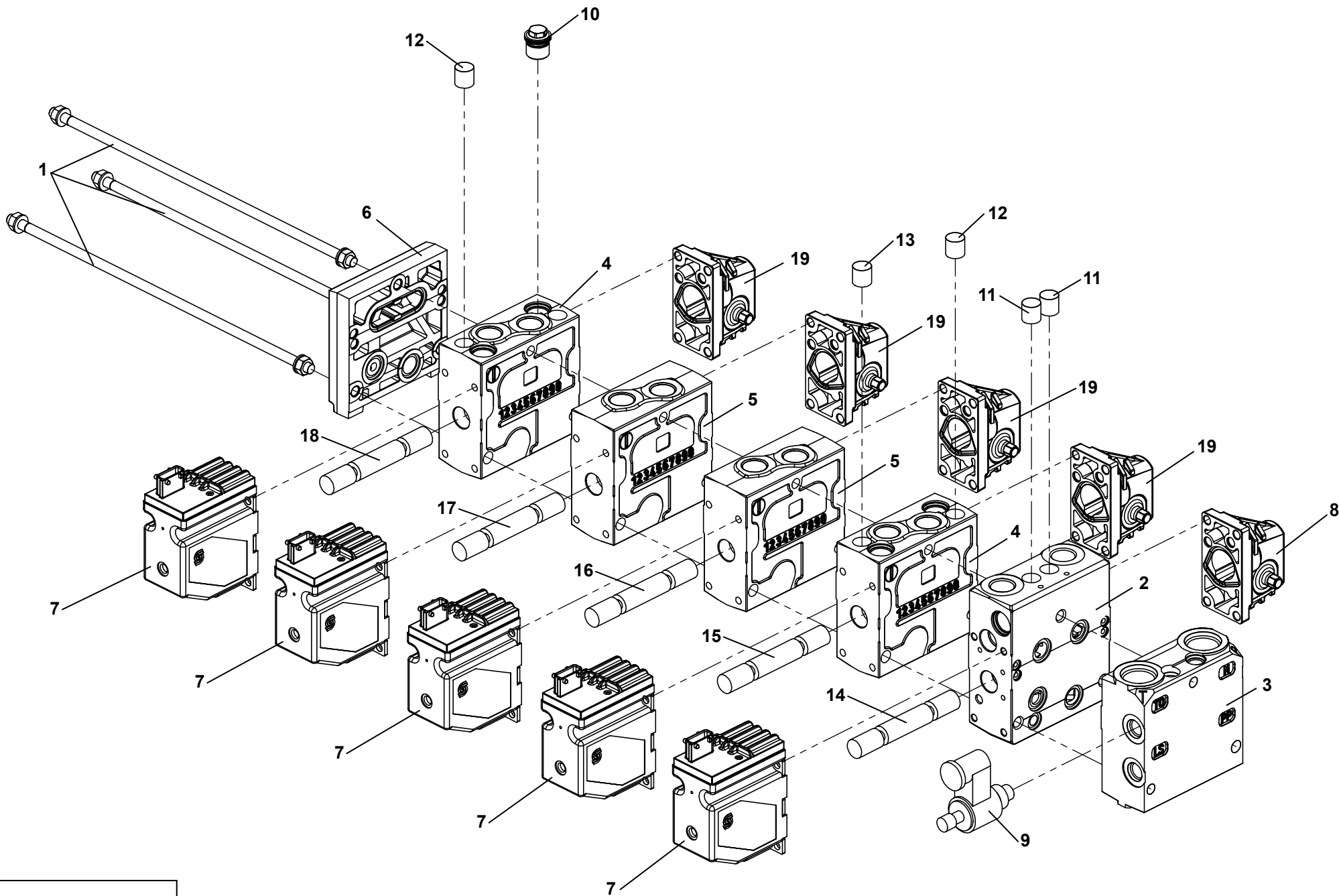


2420602940 A

**▲ DISTRIBUTEUR
POSITION VALVE**

**◀ B19-
14 ▶**

| Rep. | Désignation | Designation | Specification | Qty | Code | Up to / jusqu'à |
|------|--------------------------------|---------------------------------|---------------|-----|------------|-----------------|
| 1 | <i>KIT D'ASSEMBLAGE</i> | <i>ASSEMBLING KIT</i> | | 1 | 2421102040 | |
| 2 | <i>MODULE DE DISTRIBUTION</i> | <i>DISTRIBUTION MODULE</i> | | 1 | 2503001370 | |
| 3 | <i>PLAQUE D'ENTRÉE</i> | <i>INPUT PLATE</i> | | 1 | 2503001350 | |
| 4 | <i>MODULE DE DISTRIBUTION</i> | <i>DISTRIBUTION MODULE</i> | | 2 | 2503001360 | |
| 5 | <i>MODULE DE DISTRIBUTION</i> | <i>DISTRIBUTION MODULE</i> | | 2 | 2503001380 | |
| 6 | <i>PLAQUE DE FERMETURE PVS</i> | <i>COVER PLATE</i> | | 1 | 2421607470 | |
| 7 | <i>BOBINE</i> | <i>COIL</i> | | 5 | 2440210940 | |
| 8 | <i>COMMANDE MANUELLE</i> | <i>« MANUAL CONTROL » LABEL</i> | | 1 | 2420321000 | |
| 9 | <i>BOBINE</i> | <i>COIL</i> | <i>PVPX</i> | 1 | 2440210500 | |
| 10 | <i>CLAPET</i> | <i>VALVE</i> | <i>PVLA</i> | 1 | 2422205370 | |
| 11 | <i>LIMITEUR DE PRESSION</i> | <i>PRESSURE LIMITER</i> | | 2 | 2503001390 | |
| 12 | <i>LIMITEUR PRESSION</i> | <i>PRESSURE LIMITER</i> | | 2 | 2421203530 | |
| 13 | <i>LIMITEUR DE PRESSION</i> | <i>PRESSURE LIMITER</i> | | 1 | 2503001400 | |
| 14 | <i>TIROIR DE DISTRIBUTION</i> | <i>SPOOL</i> | | 1 | 2422005780 | |
| 15 | <i>TIROIR DE DISTRIBUTION</i> | <i>SPOOL</i> | | 1 | 2422004460 | |
| 16 | <i>TIROIR DE DISTRIBUTION</i> | <i>SPOOL</i> | | 1 | 2422005150 | |
| 17 | <i>TIROIR DE DISTRIBUTION</i> | <i>SPOOL</i> | | 1 | 2503001410 | |
| 18 | <i>TIROIR DE DISTRIBUTION</i> | <i>SPOOL</i> | | 1 | 2503001420 | |
| 19 | <i>COMMANDE MANUELLE</i> | <i>« MANUAL CONTROL » LABEL</i> | | 4 | 2420323880 | |
| | | | | | | |
| | | | | | | |
| | | | | | | |
| | | | | | | |
| | | | | | | |
| | | | | | | |
| | | | | | | |
| | | | | | | |



2503000660.B

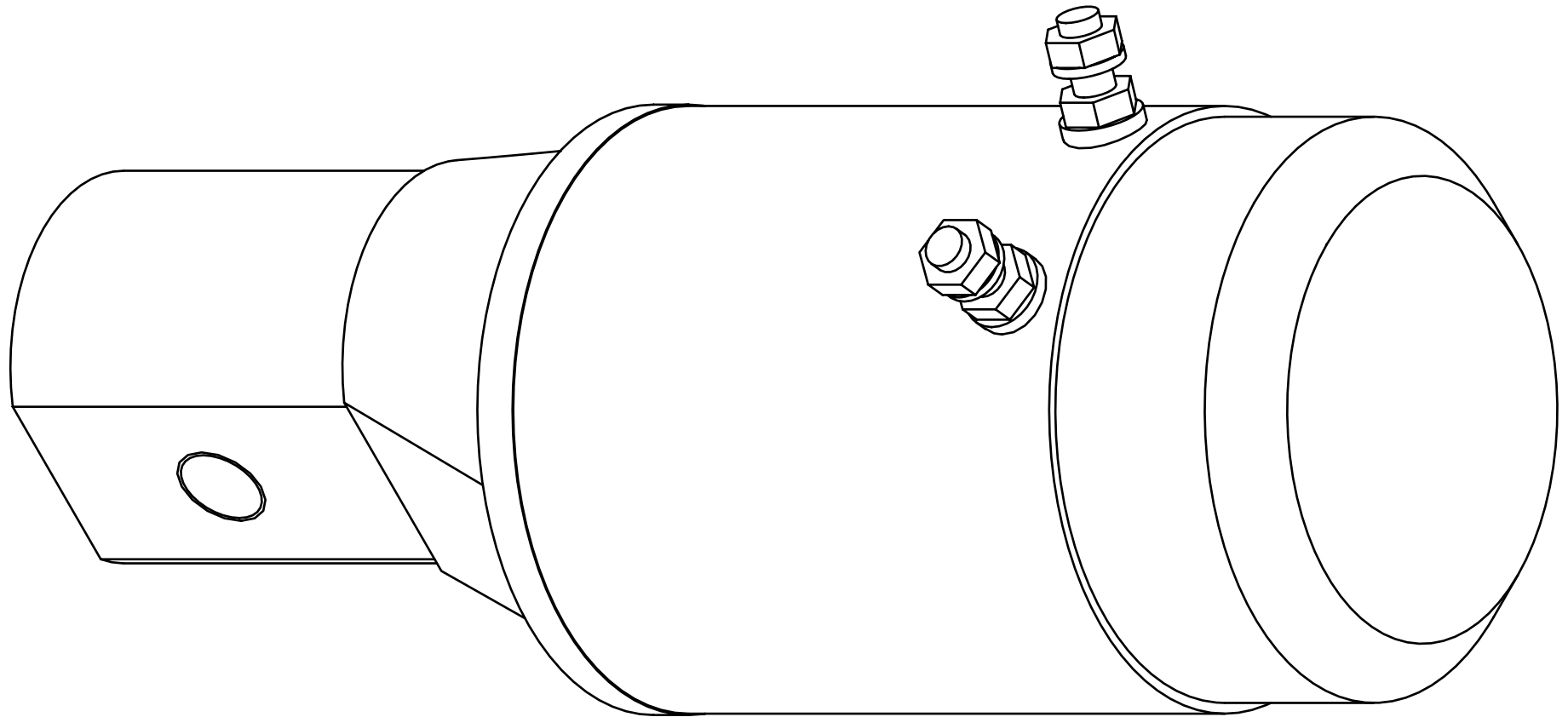


GROUPE ÉLECTRO-POMPE ELECTROPUMP UNIT

◀ **B19-**
17 ▶

| Rep. | Désignation | Designation | Specification | Qty | Code | Up to / jusqu'à |
|----------|----------------------|---------------|---------------|----------|-------------------|-----------------|
| <i>J</i> | <i>JOINT TORIQUE</i> | <i>O-RING</i> | | <i>1</i> | <i>2421003400</i> | |
| | | | | | | |
| | | | | | | |
| | | | | | | |
| | | | | | | |
| | | | | | | |
| | | | | | | |
| | | | | | | |
| | | | | | | |
| | | | | | | |
| | | | | | | |
| | | | | | | |
| | | | | | | |
| | | | | | | |
| | | | | | | |
| | | | | | | |
| | | | | | | |
| | | | | | | |
| | | | | | | |
| | | | | | | |
| | | | | | | |
| | | | | | | |
| | | | | | | |
| | | | | | | |
| | | | | | | |
| | | | | | | |
| | | | | | | |
| | | | | | | |
| | | | | | | |
| | | | | | | |
| | | | | | | |

J

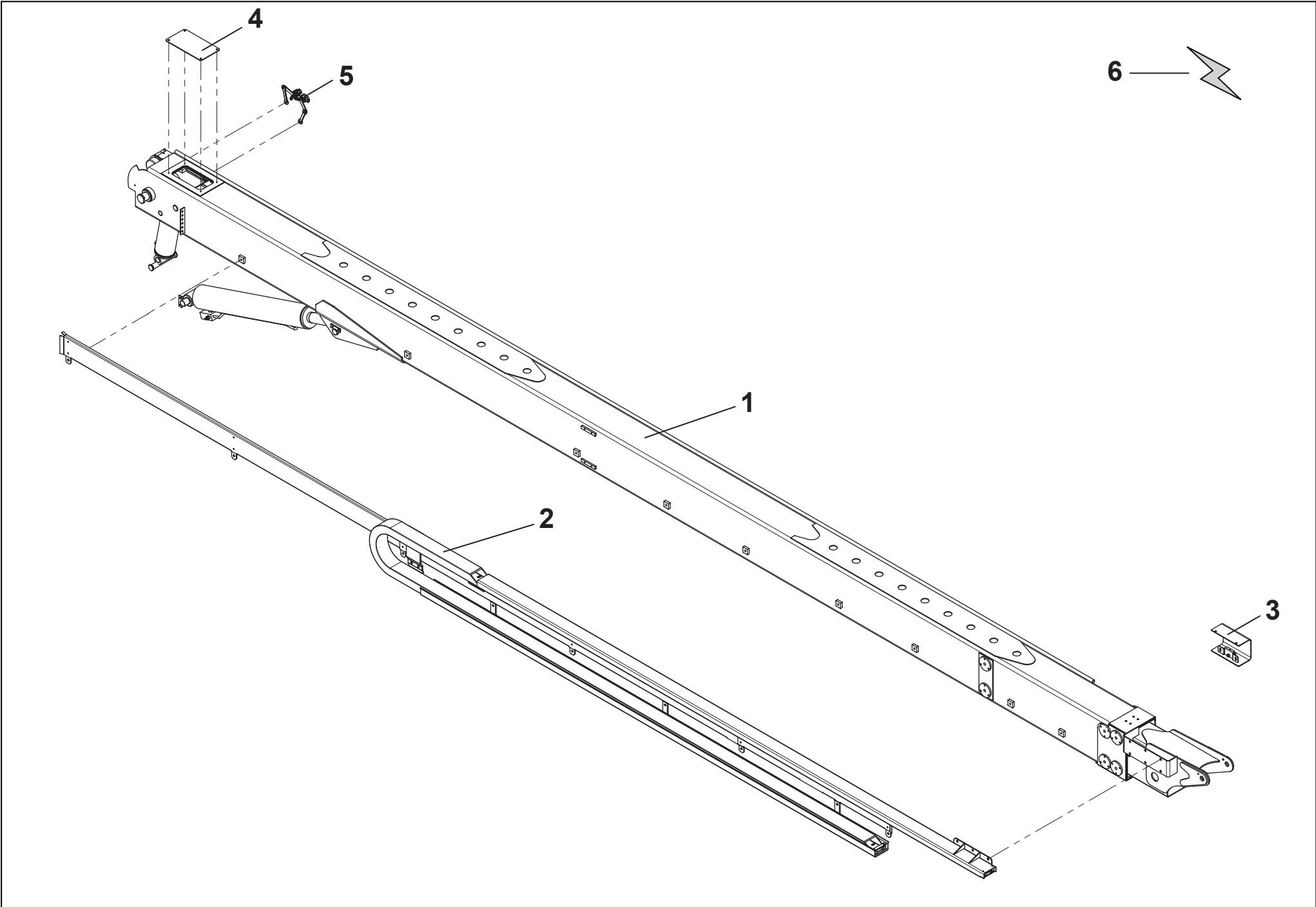


2440704150 A

**▲ FLÈCHE TÉLESCOPIQUE
TELESCOPIC BOOM**



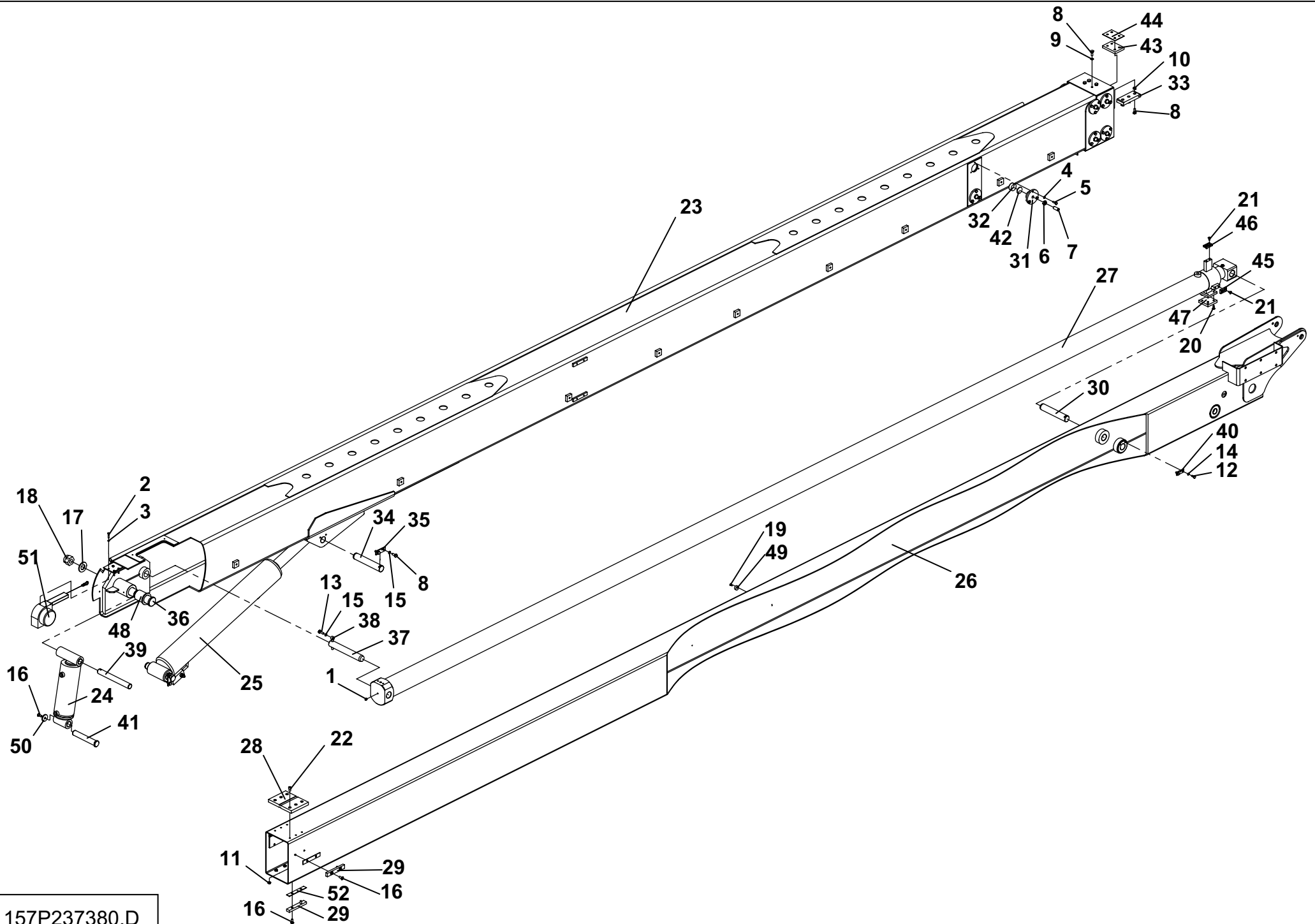
| Rep. | Désignation | Designation | Specification | Up to / jusqu'à |
|------|--------------------------|------------------------------|---------------|-----------------|
| 1 | FLÈCHE TÉLESCOPIQUE | TELESCOPIC BOOM | | |
| 2 | CHAÎNE ET FLEXIBLES | CHAIN AND HOSES | | |
| 3 | CONTACTEUR LIMIT. PORTÉE | RANGE LIMITER CONTACT SWITCH | | |
| 4 | CONTACT. RENTRÉE TÉLES. | TELESCOPE RETRACTED CONTACT | | |
| 5 | CONTACTEUR COUPURE INCLI | BOOM ANGLE CUT-OFF | | |
| 6 | ELECTRICITÉ FLÈCHE | POWER JIB | | |
| | | | | |
| | | | | |
| | | | | |
| | | | | |
| | | | | |
| | | | | |
| | | | | |
| | | | | |
| | | | | |
| | | | | |
| | | | | |
| | | | | |
| | | | | |
| | | | | |
| | | | | |
| | | | | |
| | | | | |
| | | | | |
| | | | | |
| | | | | |
| | | | | |
| | | | | |
| | | | | |
| | | | | |
| | | | | |
| | | | | |
| | | | | |
| | | | | |
| | | | | |
| | | | | |
| | | | | |
| | | | | |
| | | | | |
| | | | | |
| | | | | |
| | | | | |
| | | | | |



▲ **FLÈCHE TÉLESCOPIQUE**
TELESCOPIC BOOM

◀ **C1**
1/3 ▶

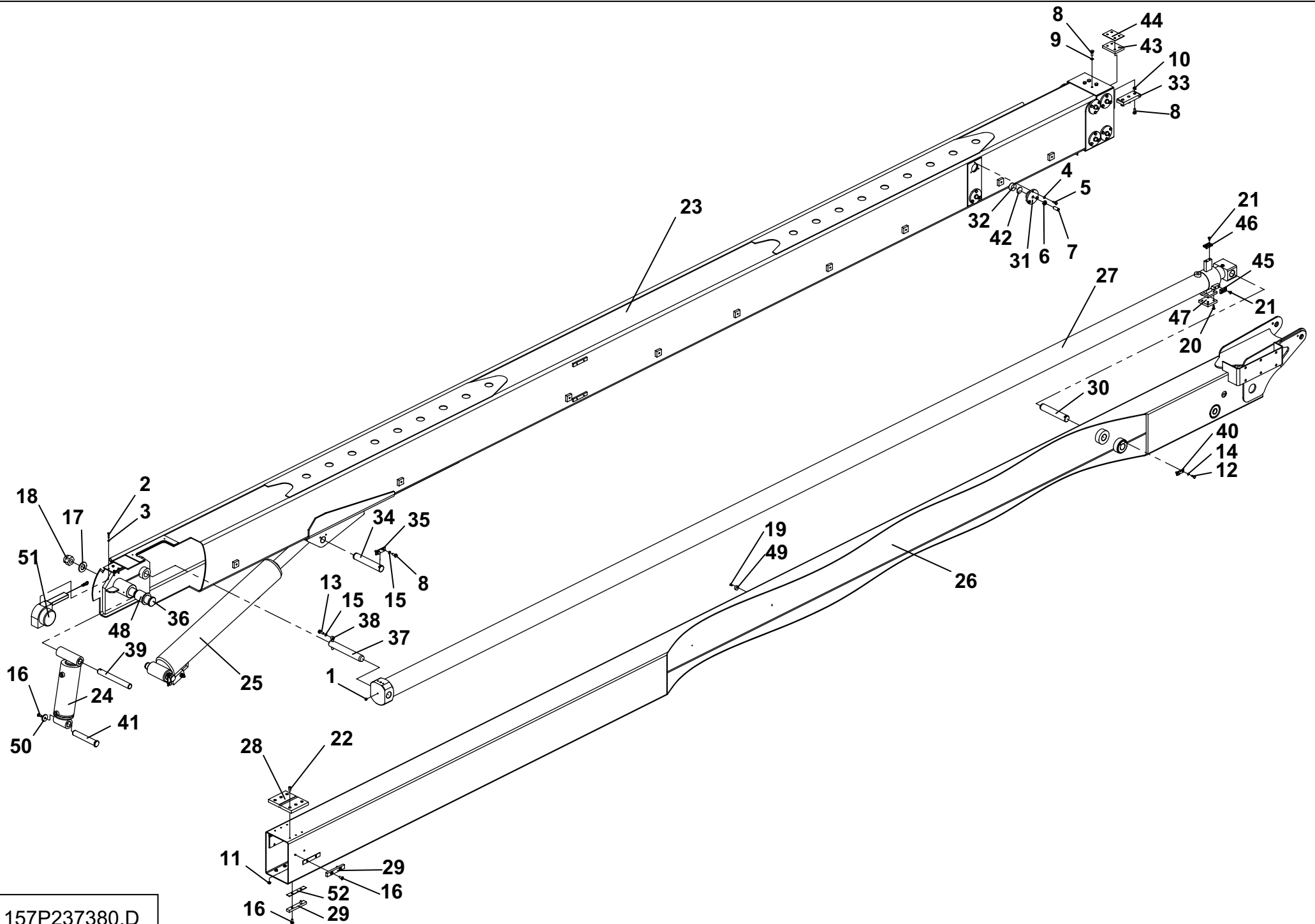
| Rep. | Désignation | Designation | Specification | Qty | Code | Up to / jusqu'à |
|------|--------------------------|------------------------------|--------------------------|-----|------------|-----------------|
| 1 | GRAISSEUR STANDARD DROIT | RIGHT-HAND STANDARD LUBRICA | M8 X 125 | 1 | 2420701540 | |
| 2 | VIS | SCREW | H M6X30-30 CL.8.8 ZB | 4 | 2331231350 | |
| 3 | RONDELLE ÉLASTIQUE | RUBBER WASHER | W 6 ZB | 4 | 2351201050 | |
| 4 | RONDELLE ÉLASTIQUE | RUBBER WASHER | W 8 ZB | 36 | 2351201070 | |
| 5 | VIS | SCREW | H M8X25-25 CL.8.8 ZB | 36 | 2331231430 | |
| 6 | ECROU BAS | THIN NUT | HM M16 CL. 4 ZB | 12 | 2341222070 | |
| 7 | VIS À BOUT CUVETTE | HEX CAP SCREW | HC M16-40-45H ZB | 12 | 2316332580 | |
| 8 | VIS | SCREW | H M10X25-25 CL.8.8 ZB | 14 | 2331231560 | |
| 9 | RONDELLE À DENTS | TOOTH LOCK WASHER | DEC 10 ZB | 4 | 2351301110 | |
| 10 | ECROU | NUT | H M10 CL. 8 ZB | 10 | 2341221080 | |
| 11 | ECROU BAS | THIN NUT | HM M10 CL. 4 ZB | 4 | 2341222040 | |
| 12 | VIS | SCREW | H M8X20-20 CL.8.8 ZB | 2 | 2331231420 | |
| 13 | VIS | SCREW | H M10X30-30 CL.8.8 ZB | 2 | 2331231540 | |
| 14 | RONDELLE À DENTS | TOOTH LOCK WASHER | DEC 8 ZB | 2 | 2351301090 | |
| 15 | RONDELLE ÉLASTIQUE | RUBBER WASHER | W 10 ZB | 12 | 2351201090 | |
| 16 | VIS | SCREW | FHC M10X25-25 CL.10.9 DC | 9 | 2307331910 | |
| 17 | RONDELLE PLATE | FLAT WASHER | M 33 ZB | 1 | 2351112200 | |
| 18 | ECROU AUTOFREINÉ MÉTAL | SELF-STOPPING METAL NUT | M33 P200 CL.10 | 1 | 2349221620 | |
| 19 | VIS | SCREW | FHC M4X16-16 CL.10.9 DC | 5 | 2307233220 | |
| 20 | VIS | SCREW | FHC M8X20-20 CL.10.9 DC | 4 | 2330002290 | |
| 21 | VIS | SCREW | FHC M8X16-16 CL.10.9 DC | 6 | 2307331690 | |
| 22 | VIS | SCREW | CHC M10X15-15 CL.8,8 ZB | 6 | 2308231870 | |
| 23 | FÛT DE FLÈCHE | BOOM POST | | 1 | 157A142420 | |
| 24 | VÉRIN ÉMETTEUR COMPEN. | COMPENSATION OUTPUT CYLINDER | | 1 | 149B152640 | |
| 25 | VERIN DE RELEVAGE FLÈCHE | RAISING CYLINDER | | 1 | 157P236760 | |
| 26 | TÉLESCOPE | TELESCOPE | | 1 | 157P242330 | |



157P237380.D

▲ **FLÈCHE TÉLESCOPIQUE**
TELESCOPIC BOOM

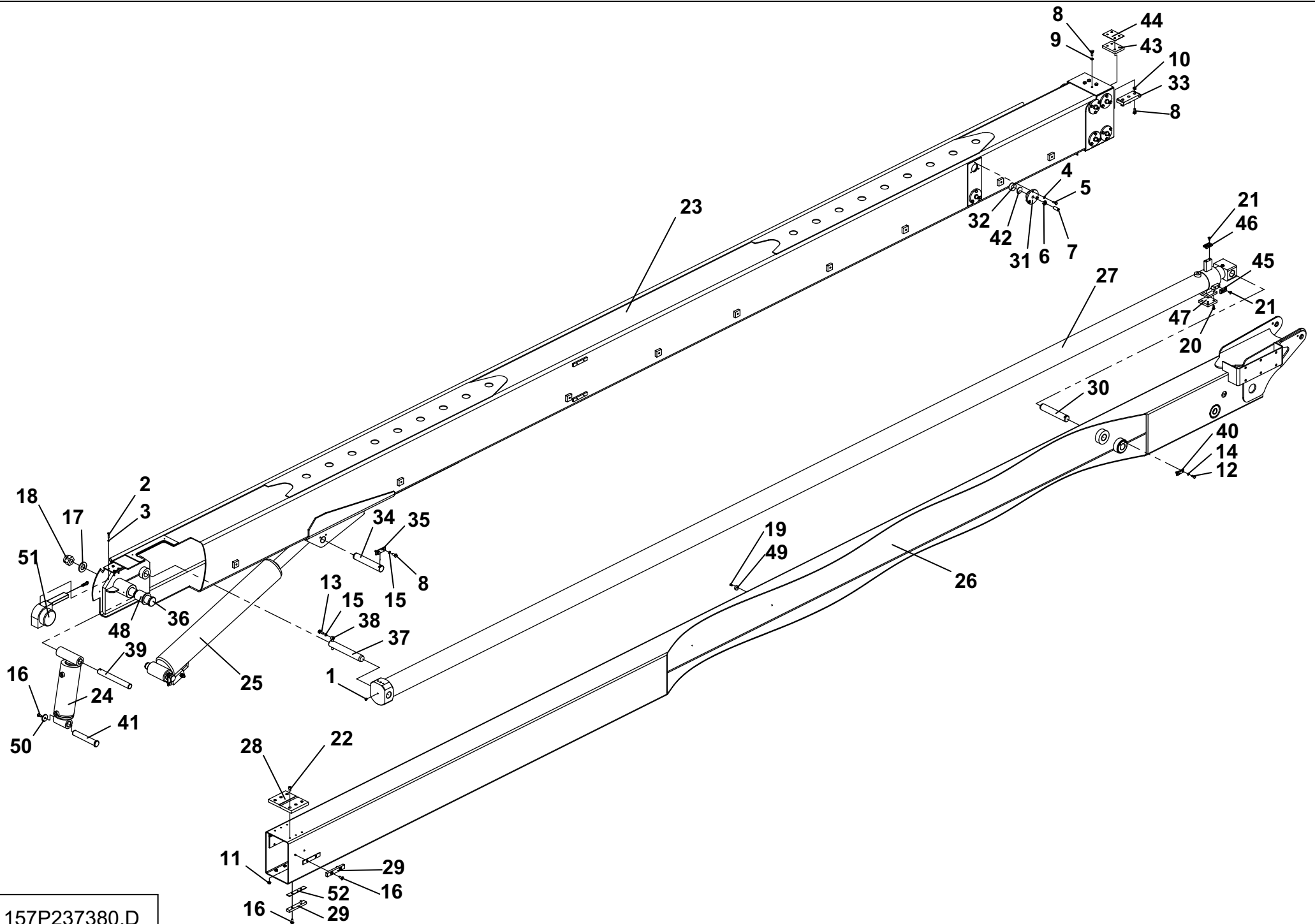
| Rep. | Désignation | Designation | Specification | Qty | Code | Up to / jusqu'à |
|------|--------------------------|----------------------------|--------------------------|-----|------------|-----------------|
| 26-1 | BAGUE | RING | | 2 | 2390150770 | |
| 27 | VERIN TELESCOPAGE | TELESCOPIC ACTION JACK | | 1 | 157P249330 | |
| 28 | PATIN | PAD | 150X180X1 | 1 | 150C130650 | |
| 29 | PATIN | PAD | | 4 | 150D151970 | |
| 30 | AXE NEZ VÉRIN TÉLESCOP. | TELESCOPIC JACK NOSE PIN | | 1 | 150C130610 | |
| 31 | SUPPORT PATIN LATÉRAUX | SIDE PAD SUPPORT | | 12 | 1680681840 | |
| 32 | PATIN D'USURE | WEAR PAD | | 12 | 1680681870 | |
| 32 | PATIN | PAD | | 12 | 1680681870 | |
| 33 | PATIN/CAISSON | PAD/CASE | | 2 | 157P246380 | |
| 34 | AXE VÉRIN RELEVAGE FLÈCH | BOOM LIFT CYLINDER ROD | | 2 | 150D151890 | |
| 35 | PLAQUETTE ARRÊTOIRE | STOP PLATE | 80 X 2 | 2 | 150D152050 | |
| 36 | AXE ARTICULATION FLÈCHE | BOOM ARTICULATION PIN | | 1 | 150C130640 | |
| 37 | AXE CORPS VÉRIN TÉLESCOP | TELESCOPIC JACK BODY PIN | | 1 | 150C173560 | |
| 38 | CHAPE MÂLE LISSE | SMOOTH MALE SLOT | | 2 | 132D154320 | |
| 39 | AXE PIECE DE LIAISON | JIB LINK PART PIN | | 1 | 157C143770 | |
| 40 | PLAQUETTE ARRÊTOIRE | STOP PLATE | 60 X 2 | 1 | 150D150070 | |
| 41 | AXE CORPS VÉRIN COMPENS. | COMPENSATION JACK BODY PIN | | 1 | 150C132450 | |
| 42 | ENTRETOISE PATINS LATERA | LEVELLING PAD LATERAL PAD | | 12 | 1680681830 | |
| 43 | PATIN | PAD | 110 X 80 X 14 | 1 | 116C126930 | |
| 44 | PLAQUE SOUS PATIN 110X80 | FOOT HOLD | | 1 | 150D150080 | |
| 45 | PATIN | PAD | | 2 | 150D151980 | |
| 45 | VIS | SCREW | FHC M10X25-25 CL.10.9 DC | 9 | 2307331900 | |
| 45 | PATIN | PAD | | 2 | 150D151980 | |
| 46 | PATIN | PAD | 50 X 20 X 7 | 1 | 150D150100 | |
| 47 | PATIN INFÉRIEUR | BOTTOM PAD | | 1 | 157C152320 | |
| 48 | BAGUE BRONZE | BRONZE RING | DIA 76 / 6 | 2 | 168C128800 | |



157P237380.D

▲ **FLÈCHE TÉLESCOPIQUE**
TELESCOPIC BOOM

| Rep. | Désignation | Designation | Specification | Qty | Code | Up to / jusqu'à |
|------|---------------------|---------------|---------------|-----|------------|-----------------|
| 49 | AIMANT POUR CAPTEUR | SENSOR MAGNET | S6107 | 5 | 2901001860 | |
| 50 | RONDELLE | WASHER | DIA 44/10 EP6 | 1 | 150D150120 | |
| 51 | CAPTEUR DE LONGUEUR | LENGTH SENSOR | | 1 | 2901001300 | |
| 52 | PLAQUE | PLATE | 150 X 25 X 2 | 4 | 150D151960 | |
| | | | | | | |
| | | | | | | |
| | | | | | | |
| | | | | | | |
| | | | | | | |
| | | | | | | |
| | | | | | | |
| | | | | | | |
| | | | | | | |
| | | | | | | |
| | | | | | | |
| | | | | | | |
| | | | | | | |
| | | | | | | |
| | | | | | | |
| | | | | | | |
| | | | | | | |
| | | | | | | |
| | | | | | | |
| | | | | | | |
| | | | | | | |
| | | | | | | |
| | | | | | | |
| | | | | | | |
| | | | | | | |

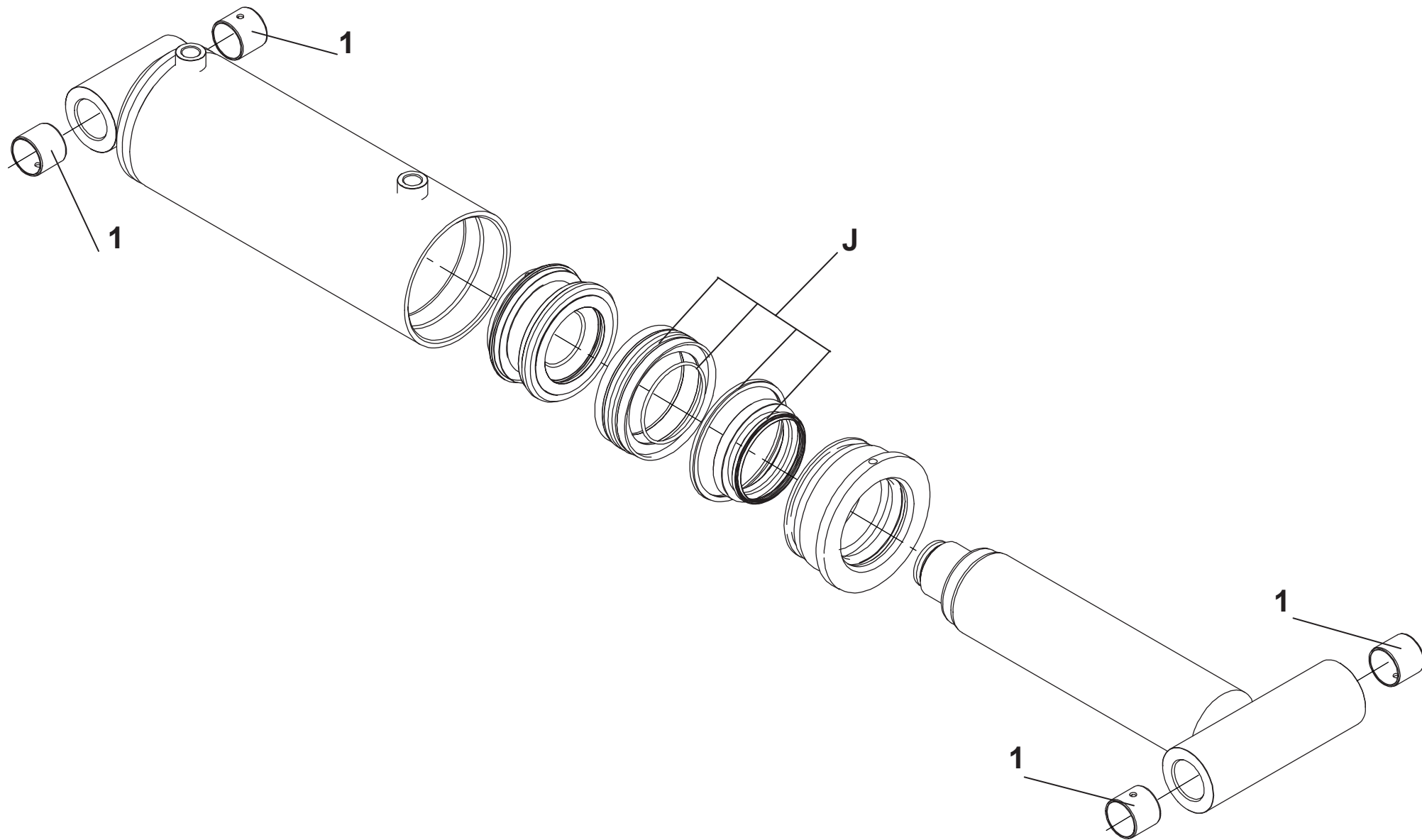


157P237380.D

▲ **VÉRIN ÉMETTEUR COMPEN.**
COMPENSATION OUTPUT CYLINDER

◀ **C1-24** ▶

| Rep. | Désignation | Designation | Specification | Qty | Code | Up to / jusqu'à |
|----------|---------------------------|---------------------|---------------|----------|-------------------|-----------------|
| <i>I</i> | <i>BAGUE</i> | <i>RING</i> | | <i>4</i> | <i>2390150540</i> | |
| <i>J</i> | <i>POCHETTE DE JOINTS</i> | <i>BAG OF SEALS</i> | | <i>1</i> | <i>2421693920</i> | |
| | | | | | | |
| | | | | | | |
| | | | | | | |
| | | | | | | |
| | | | | | | |
| | | | | | | |
| | | | | | | |
| | | | | | | |
| | | | | | | |
| | | | | | | |
| | | | | | | |
| | | | | | | |
| | | | | | | |
| | | | | | | |
| | | | | | | |
| | | | | | | |
| | | | | | | |
| | | | | | | |
| | | | | | | |
| | | | | | | |
| | | | | | | |
| | | | | | | |
| | | | | | | |
| | | | | | | |
| | | | | | | |

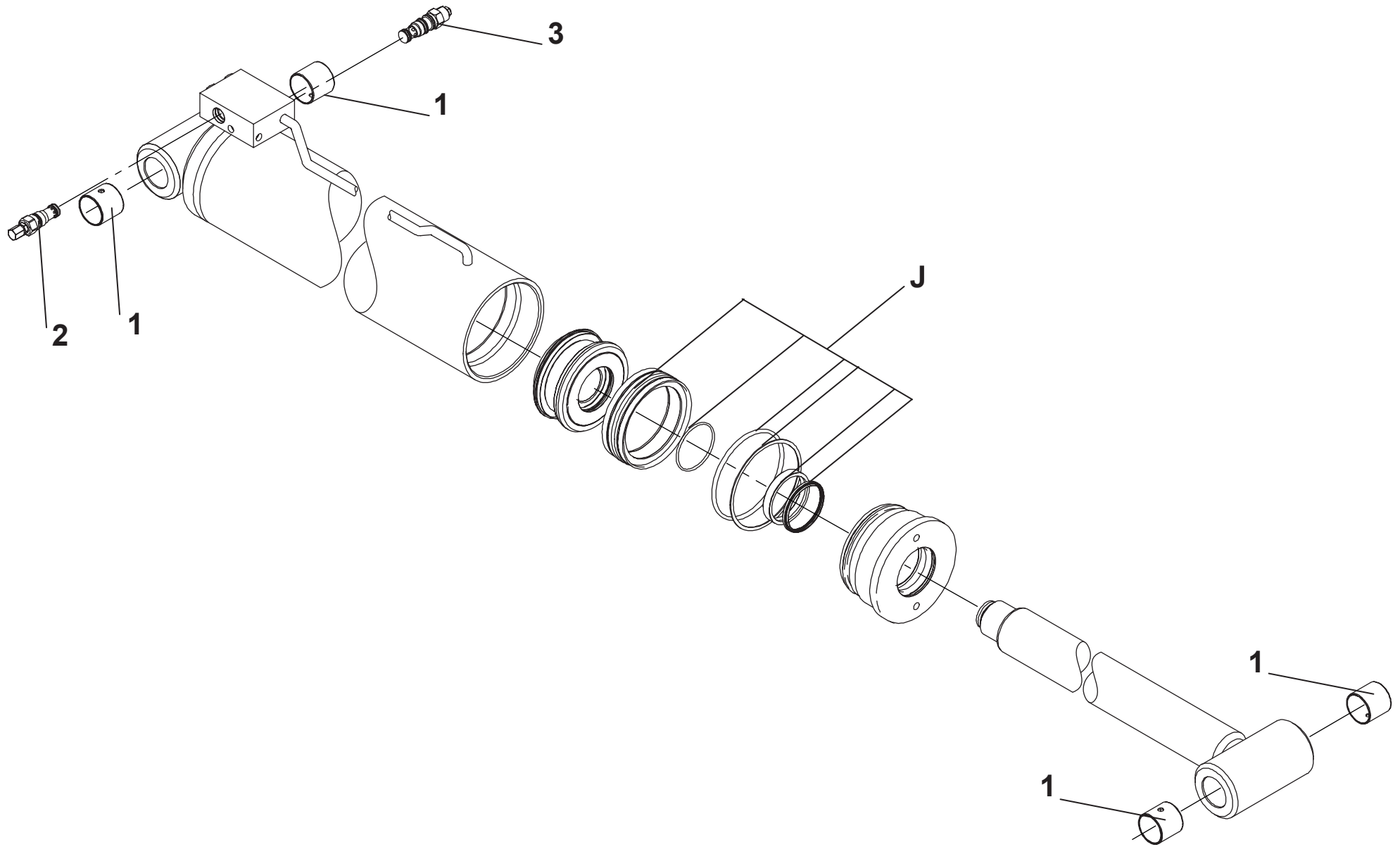


149B152640.A

**▲ VERIN DE RELEVAGE FLÈCHE
RAISING CYLINDER**

◀ C1-25 ▶

| Rep. | Désignation | Designation | Specification | Qty | Code | Up to / jusqu'à |
|----------|----------------------------|------------------------|---------------|----------|-------------------|-----------------|
| <i>1</i> | <i>BAGUE</i> | <i>RING</i> | | <i>4</i> | <i>2390150500</i> | |
| <i>2</i> | <i>CARTOUCHE</i> | <i>CARTRIDGE</i> | | <i>1</i> | <i>2427002740</i> | |
| <i>3</i> | <i>VALVE D'ÉQUILIBRAGE</i> | <i>BALANCING VALVE</i> | | <i>1</i> | <i>2504000650</i> | |
| <i>J</i> | <i>POCHETTE DE JOINTS</i> | <i>BAG OF SEALS</i> | | <i>1</i> | <i>2504000610</i> | |
| | | | | | | |
| | | | | | | |
| | | | | | | |
| | | | | | | |
| | | | | | | |
| | | | | | | |
| | | | | | | |
| | | | | | | |
| | | | | | | |
| | | | | | | |
| | | | | | | |
| | | | | | | |
| | | | | | | |
| | | | | | | |
| | | | | | | |
| | | | | | | |
| | | | | | | |
| | | | | | | |
| | | | | | | |



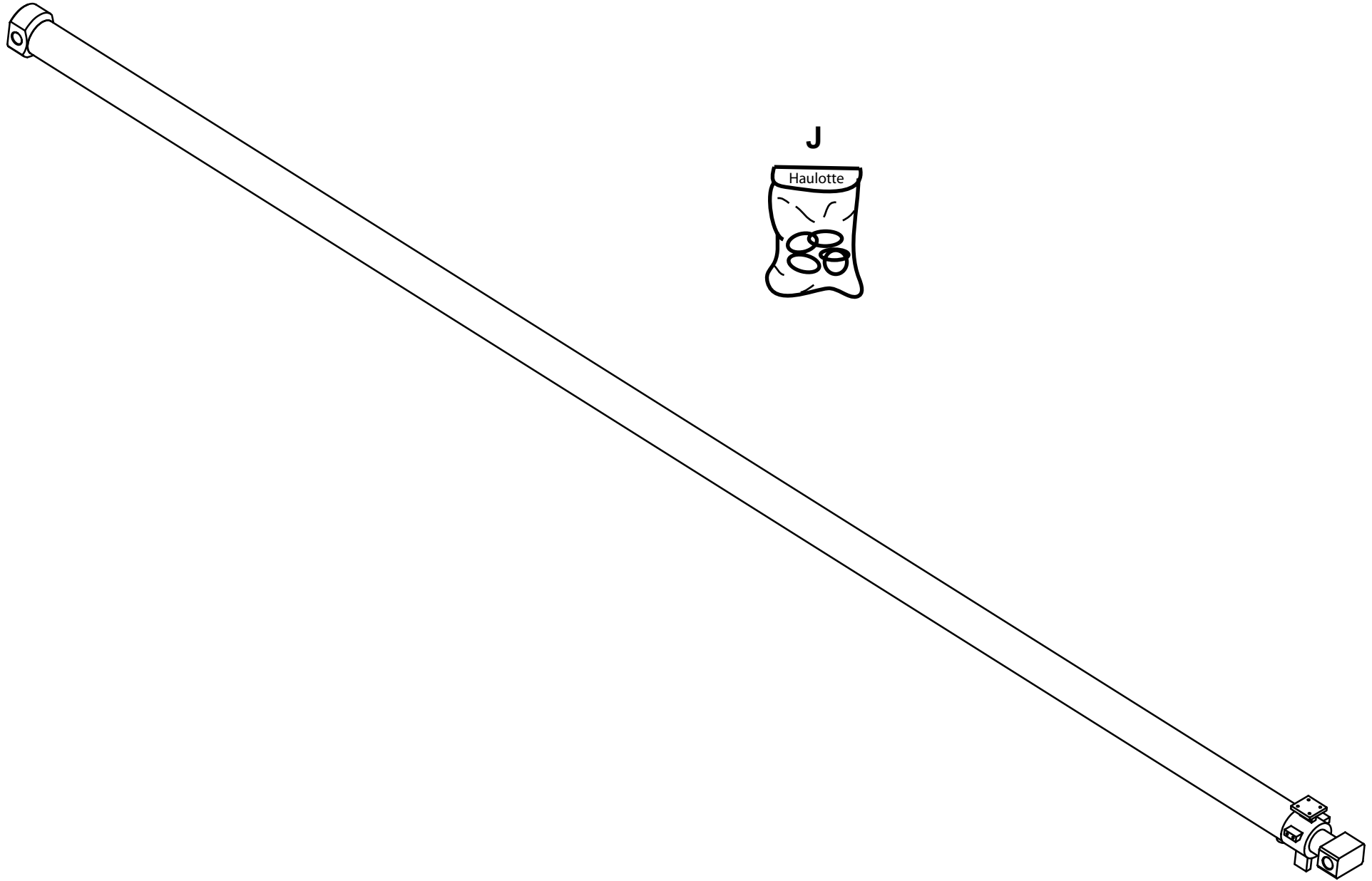
157P236760.B



VERIN TELESCOPAGE TELESCOPIC ACTION JACK

◀ C1-27 ▶

| Rep. | Désignation | Designation | Specification | Qty | Code | Up to / jusqu'à |
|------|--------------------|--------------|---------------|-----|------------|-----------------|
| J | POCHETTE DE JOINTS | BAG OF SEALS | | 1 | 2504000670 | |
| | | | | | | |
| | | | | | | |
| | | | | | | |
| | | | | | | |
| | | | | | | |
| | | | | | | |
| | | | | | | |
| | | | | | | |
| | | | | | | |
| | | | | | | |
| | | | | | | |
| | | | | | | |
| | | | | | | |
| | | | | | | |
| | | | | | | |
| | | | | | | |
| | | | | | | |
| | | | | | | |
| | | | | | | |
| | | | | | | |
| | | | | | | |
| | | | | | | |
| | | | | | | |

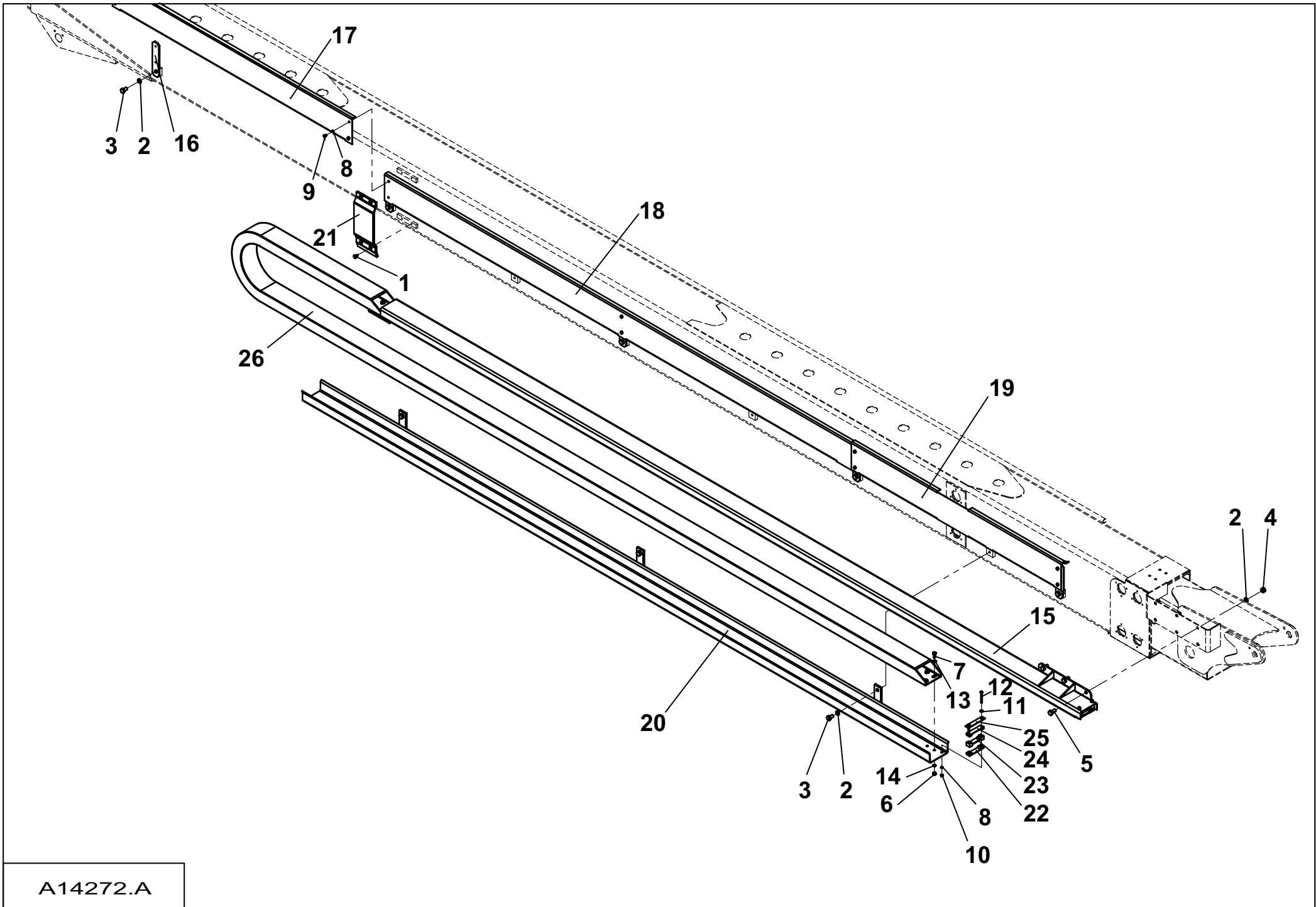


157P249330.A

▲ **CHAÎNE ET FLEXIBLES**
CHAIN AND HOSES

◀ C2 ▶

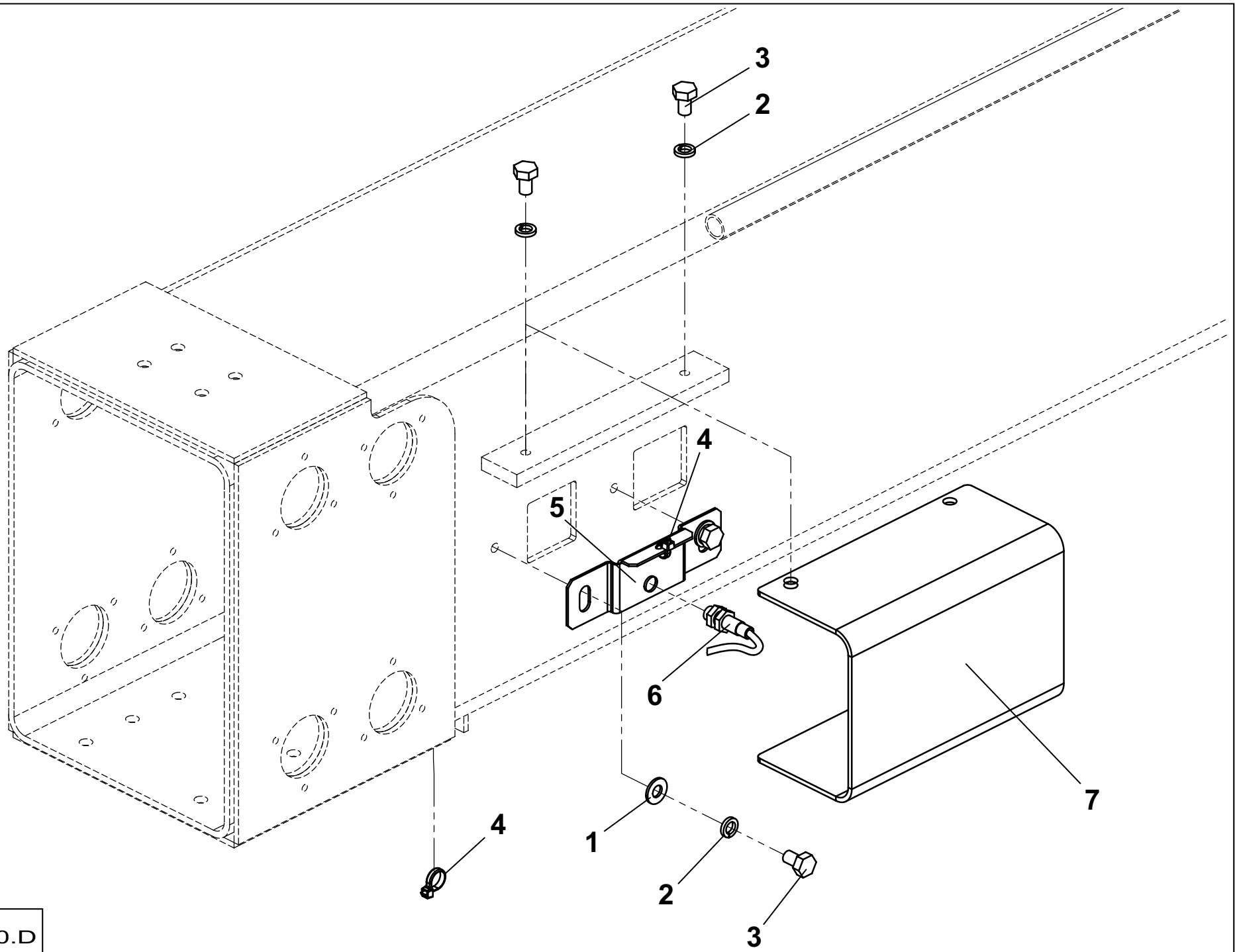
| Rep. | Désignation | Designation | Specification | Qty | Code | Up to / jusqu'à |
|------|--------------------------|------------------------------|-------------------------|-----|------------|-----------------|
| 1 | VIS | SCREW | FHC M8X16-16 CL.10.9 DC | 4 | 2307331690 | |
| 2 | RONDELLE ÉLASTIQUE | RUBBER WASHER | W 12 ZB | 15 | 2351201100 | |
| 3 | VIS | SCREW | H M12X20-20 CL.8.8 ZB | 9 | 2331231720 | |
| 4 | ECROU | NUT | H M12 CL. 8 ZB | 6 | 2341221090 | |
| 5 | VIS | SCREW | H M12X25-25 CL.8.8 ZB | 6 | 2331231730 | |
| 6 | ECROU | NUT | H M8 CL. 8 ZB | 8 | 2341221070 | |
| 7 | VIS | SCREW | H M8X20-20 CL.8.8 ZB | 8 | 2331231420 | |
| 8 | RONDELLE ÉLASTIQUE | RUBBER WASHER | W 6 ZB | 16 | 2351201050 | |
| 9 | VIS | SCREW | H M6X10-10 CL.8.8 ZB | 12 | 2331231300 | |
| 10 | ECROU | NUT | H M6 CL. 8 ZB | 4 | 2341221050 | |
| 11 | RONDELLE PLATE | FLAT WASHER | M 6 ZB | 4 | 2351112050 | |
| 12 | VIS | SCREW | H M6X55-18 CL.8.8 ZB | 4 | 2301231490 | |
| 13 | RONDELLE PLATE | FLAT WASHER | M 8 ZB | 8 | 2351112070 | |
| 14 | RONDELLE ÉLASTIQUE | RUBBER WASHER | W 8 ZB | 8 | 2351201070 | |
| 15 | GOULOTTE | TRUNKING | | 1 | 157B153480 | |
| 16 | PATTE SUPPORT | SUPPORT LUG | | 6 | 157C144140 | |
| 17 | TÔLE PROTECTION FLEXIBLE | HOSE PROTECTIVE PLATE | | 1 | 157C144150 | |
| 18 | TÔLE PROTECTION FLEXIBLE | HOSE PROTECTIVE PLATE | | 1 | 157C144160 | |
| 19 | TÔLE PROTECTION FLEXIBLE | HOSE PROTECTIVE PLATE | | 1 | 157C144170 | |
| 20 | SUPPORT CHAÎNE | CABLE CARRYING CHAIN SUPPORT | | 1 | 157B153470 | |
| 21 | TÔLE DE GUIDAGE | GUIDE PLATE | | 1 | 150C171020 | |
| 22 | COLLIER INFÉRIEUR | LOWER COLLAR | | 2 | 157D158760 | |
| 23 | COLLIER INTERMÉDIAIRE | INTERMEDIARY COLLAR | | 2 | 157D158750 | |
| 24 | COLLIER | COLLAR | | 2 | 157D158740 | |
| 25 | PLAQUE DE MAINTIEN DES C | HOSE TIGHTENING IRON | | 2 | 157D159220 | |
| 26 | CHAÎNE | CHAIN | | 1 | 2425631440 | |



A14272.A

▲ CONTACTEUR LIMIT. PORTÉE RANGE LIMITER CONTACT SWITCH

| Rep. | Désignation | Designation | Specification | Qty | Code | Up to / jusqu'à |
|------|--------------------------|------------------------|-----------------------|-----|------------|-----------------|
| 1 | RONDELLE PLATE | FLAT WASHER | M 10 ZB | 2 | 2351112090 | |
| 2 | RONDELLE ÉLASTIQUE | RUBBER WASHER | W 10 ZB | 4 | 2351201090 | |
| 3 | VIS | SCREW | H M10X16-16 CL.8.8 ZB | 4 | 2331231510 | |
| 4 | COLLIER POLYAMIDE | COLLAR | 6/6 4. | 3 | 2389002870 | |
| 5 | SUPPORT CONTACTEUR | CONTACT SWITCH SUPPORT | | 1 | 157P242340 | |
| 6 | CAPTEUR | SENSOR | | 1 | 2901001850 | |
| 7 | CAPOT DE PROTECTION CONT | PROTECTIVE COVER | | 1 | 148C149550 | |
| | | | | | | |
| | | | | | | |
| | | | | | | |
| | | | | | | |
| | | | | | | |
| | | | | | | |
| | | | | | | |
| | | | | | | |
| | | | | | | |
| | | | | | | |
| | | | | | | |
| | | | | | | |
| | | | | | | |
| | | | | | | |
| | | | | | | |
| | | | | | | |



157P244170.D



CONTACT. RENTRÉE TÉLES.

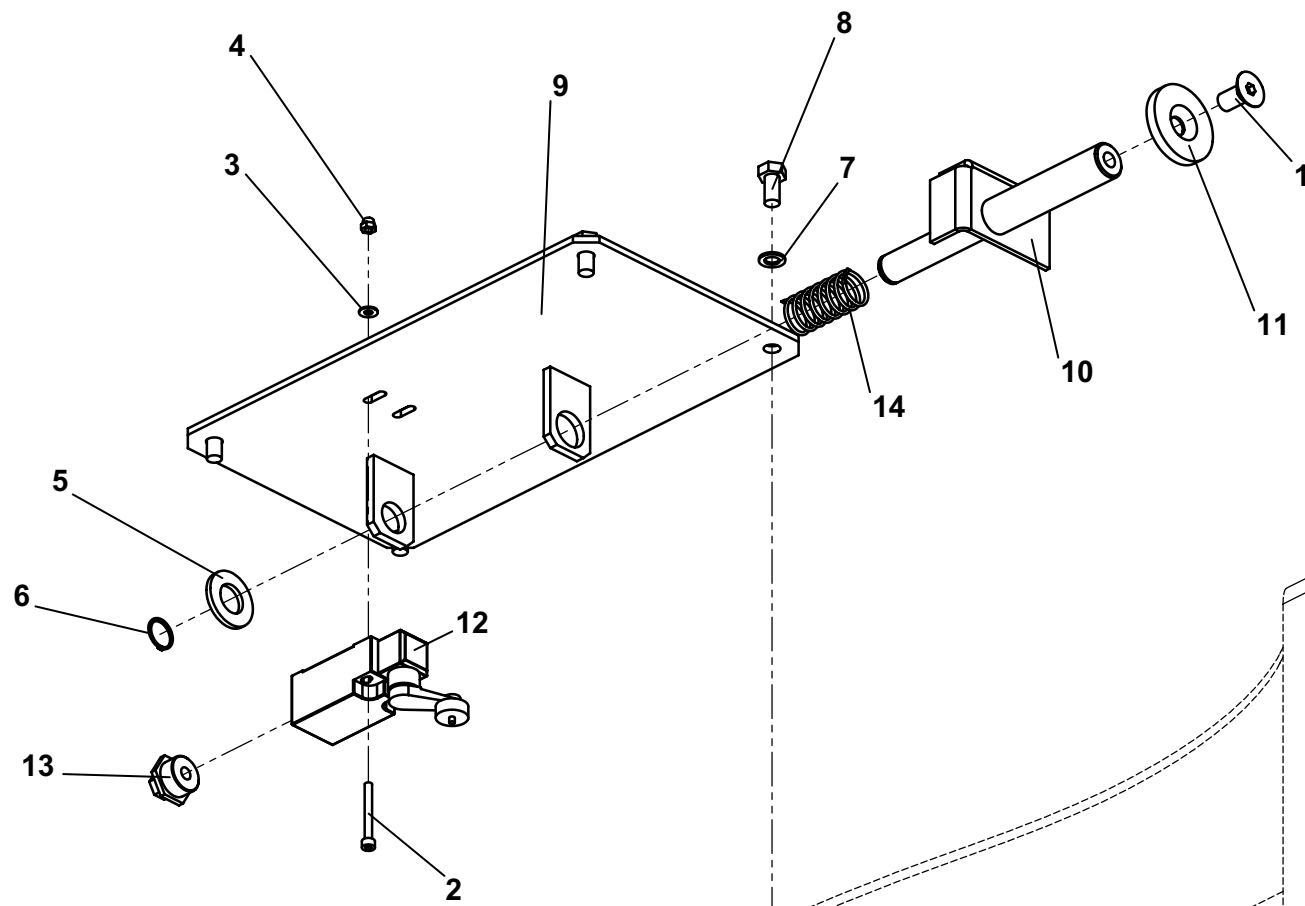


C4



TELESCOPE RETRACTED CONTACT SWITCH

| Rep. | Désignation | Designation | Specification | Qty | Code | Up to / jusqu'à |
|------|--------------------------|------------------------|--------------------------|-----|------------|-----------------|
| 1 | VIS | SCREW | FHC M10X20-20 CL.10.9 DC | 1 | 2337331070 | |
| 2 | VIS | SCREW | CHC M4X35-20 CL.8,8 ZB | 2 | 2308231220 | |
| 3 | RONDELLE PLATE | FLAT WASHER | M 4 ZB | 2 | 2351112030 | |
| 4 | ECROU AUTOFREINÉ | SELF-LOCKED NUT | H FR M4 CL. 8 ZB | 2 | 2349221480 | |
| 5 | RONDELLE PLATE | FLAT WASHER | M 16 ZB | 1 | 2351112130 | |
| 6 | ANNEAU ÉLASTIQUE ARBRE | ELASTIC SHAFT RING | 16X1 | 1 | 2472001130 | |
| 7 | RONDELLE À DENTS | TOOTH LOCK WASHER | DEC 8 ZB | 4 | 2351301090 | |
| 8 | VIS | SCREW | H M8X16-16 CL.8.8 ZB | 4 | 2331231400 | |
| 9 | SUPPORT CONTACTEUR | CONTACT SWITCH SUPPORT | | 1 | 157B156320 | |
| 10 | AXE DE COMMANDE | CONTROL PIN | | 1 | 157C149480 | |
| 11 | RONDELLE | WASHER | DIA 44/10 EP6 | 1 | 150D150120 | |
| 12 | INTERRUPTEUR DE POSITION | POSITION SWITCH | D4D-1520N | 1 | 2440901490 | |
| 13 | PRESSE-ÉTOUPE RÉDUCTEUR | REDUCER PACKING BOX | 13/7 - S020246 | 1 | 2441613010 | |
| 14 | RESSORT DE COMPRESSION | COMPRESSION SPRING | | 1 | 2421804440 | |
| | | | | | | |
| | | | | | | |
| | | | | | | |
| | | | | | | |
| | | | | | | |
| | | | | | | |
| | | | | | | |
| | | | | | | |
| | | | | | | |
| | | | | | | |
| | | | | | | |
| | | | | | | |
| | | | | | | |

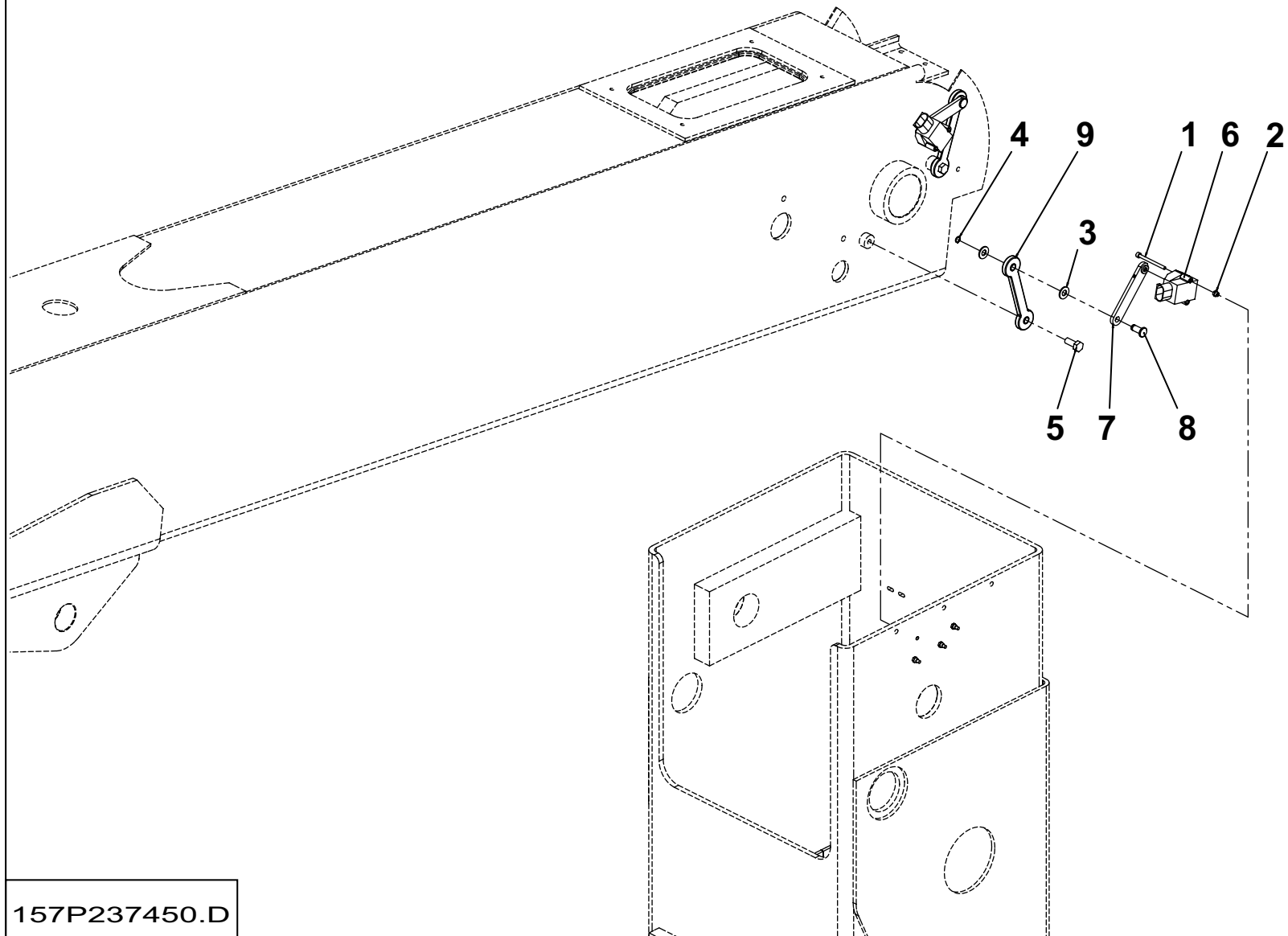


B15631.B

**▲ CONTACTEUR COUPURE INCLI
BOOM ANGLE CUT-OFF**

◀ **C5** ▶

| Rep. | Désignation | Designation | Specification | Qty | Code | Up to / jusqu'à |
|------|------------------------|---------------------|------------------------|-----|------------|-----------------|
| 1 | VIS | SCREW | CHC M4X50-20 CL.8.8 ZB | 4 | 2308231260 | |
| 2 | ECROU AUTOFREINÉ | SELF-LOCKED NUT | H FR M4 CL. 8 ZB | 4 | 2349221480 | |
| 3 | RONDELLE PLATE | FLAT WASHER | M 8 ZB | 4 | 2351112070 | |
| 4 | ANNEAU ÉLASTIQUE ARBRE | ELASTIC SHAFT RING | 8X0,8 | 2 | 2479001190 | |
| 5 | VIS | SCREW | H M8X20-20 CL.8.8 ZB | 2 | 2331231420 | |
| 6 | CAPTEUR D'ANGLE | ANGLE SENSOR | | 2 | 2901001520 | |
| 7 | PALONNIER | LIFTING BEAM | | 2 | 157P237670 | |
| 8 | AXE DE BIELLETTE | CONNECTING ROD AXLE | | 2 | 157P242420 | |
| 9 | BIELLE | CONNECTING ROD | | 2 | 2326001940 | |
| | | | | | | |
| | | | | | | |
| | | | | | | |
| | | | | | | |
| | | | | | | |
| | | | | | | |
| | | | | | | |
| | | | | | | |
| | | | | | | |
| | | | | | | |
| | | | | | | |
| | | | | | | |
| | | | | | | |
| | | | | | | |
| | | | | | | |
| | | | | | | |



157P237450.D

**▲ ELECTRICITÉ FLÈCHE
POWER JIB**

| Rep. | Désignation | Designation | Specification | Qty | Code | Up to / jusqu'à |
|------|--------------------------|-------------------------------|---------------|-----|------------|-----------------|
| 1 | FAISCEAU TOURELLE/NACELL | CABLE BUNDLE TURRET / LIFTING | | 1 | 157P246540 | |
| | | | | | | |
| | | | | | | |
| | | | | | | |
| | | | | | | |
| | | | | | | |
| | | | | | | |
| | | | | | | |
| | | | | | | |
| | | | | | | |
| | | | | | | |
| | | | | | | |
| | | | | | | |
| | | | | | | |
| | | | | | | |
| | | | | | | |
| | | | | | | |
| | | | | | | |
| | | | | | | |
| | | | | | | |
| | | | | | | |

▲ **FAISCEAU TOURELLE/NACELL
CABLE BUNDLE TURRET / LIFTING PLATFORM**

◀ C6-1 ▶

| Rep. | Désignation | Designation | Specification | Qty | Code | Up to / jusqu'à |
|------|-------------------------|----------------------------|---------------|----------|-------------------|-----------------|
| | <i>FAISCEAU</i> | <i>BUNDLE</i> | | <i>1</i> | <i>157P234320</i> | |
| | <i>FAISCEAU</i> | <i>BUNDLE</i> | | <i>1</i> | <i>157P234330</i> | |
| | <i>FAISCEAU</i> | <i>BUNDLE</i> | | <i>1</i> | <i>157P241300</i> | |
| | <i>FAISCEAU</i> | <i>BUNDLE</i> | | <i>1</i> | <i>157P241310</i> | |
| | <i>FAISCEAU</i> | <i>BUNDLE</i> | | <i>1</i> | <i>157P242030</i> | |
| | <i>PLAN DE CÂBLAGE</i> | <i>WIRING DIAGRAM</i> | | <i>1</i> | <i>157P242050</i> | |
| | <i>FAISCEAU</i> | <i>BUNDLE</i> | | <i>1</i> | <i>157P242060</i> | |
| | <i>FAISCEAU</i> | <i>BUNDLE</i> | | <i>1</i> | <i>157C146620</i> | |
| | <i>FAISCEAU CAPTEUR</i> | <i>CABLE BUNDLE SENSOR</i> | | <i>1</i> | <i>157P234800</i> | |
| | | | | | | |
| | | | | | | |
| | | | | | | |
| | | | | | | |
| | | | | | | |
| | | | | | | |
| | | | | | | |
| | | | | | | |
| | | | | | | |
| | | | | | | |
| | | | | | | |
| | | | | | | |
| | | | | | | |
| | | | | | | |
| | | | | | | |
| | | | | | | |
| | | | | | | |
| | | | | | | |

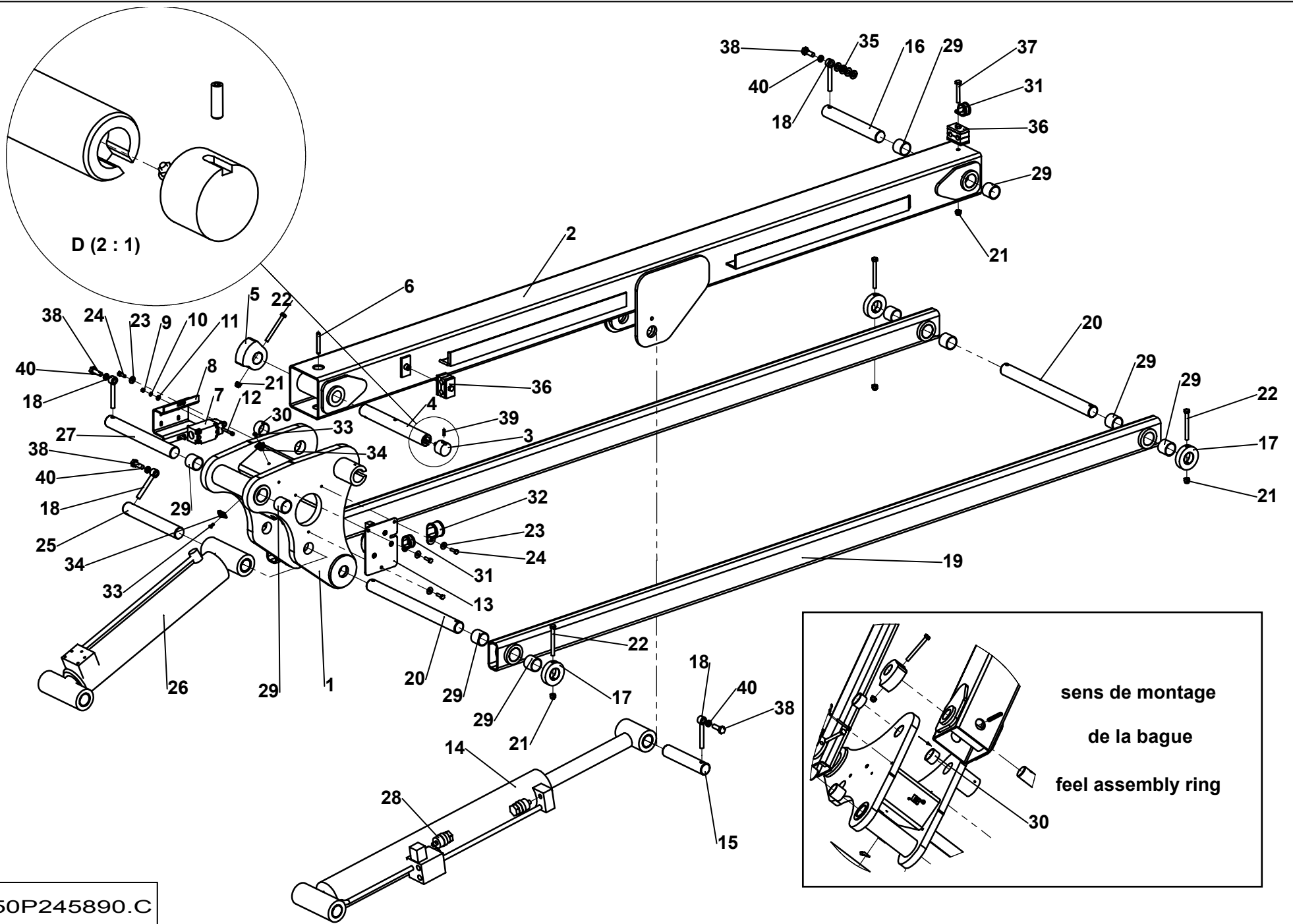
▲ PENDULAIRE + NACELLE
JIB + PLATFORM

| Rep. | Désignation | Designation | Specification | Up to / jusqu'à |
|------|---------------------|--------------|---------------|-----------------|
| 1 | ENSEMBLE PENDULAIRE | JIB ASSEMBLY | | |
| 2 | ENSEMBLE NACELLE | GANTRY ASSY. | | |
| | | | | |
| | | | | |
| | | | | |
| | | | | |
| | | | | |
| | | | | |
| | | | | |
| | | | | |
| | | | | |
| | | | | |
| | | | | |
| | | | | |
| | | | | |
| | | | | |
| | | | | |
| | | | | |
| | | | | |
| | | | | |

▲ ENSEMBLE PENDULAIRE
JIB ASSEMBLY

◀ **D1** ▶
1/2

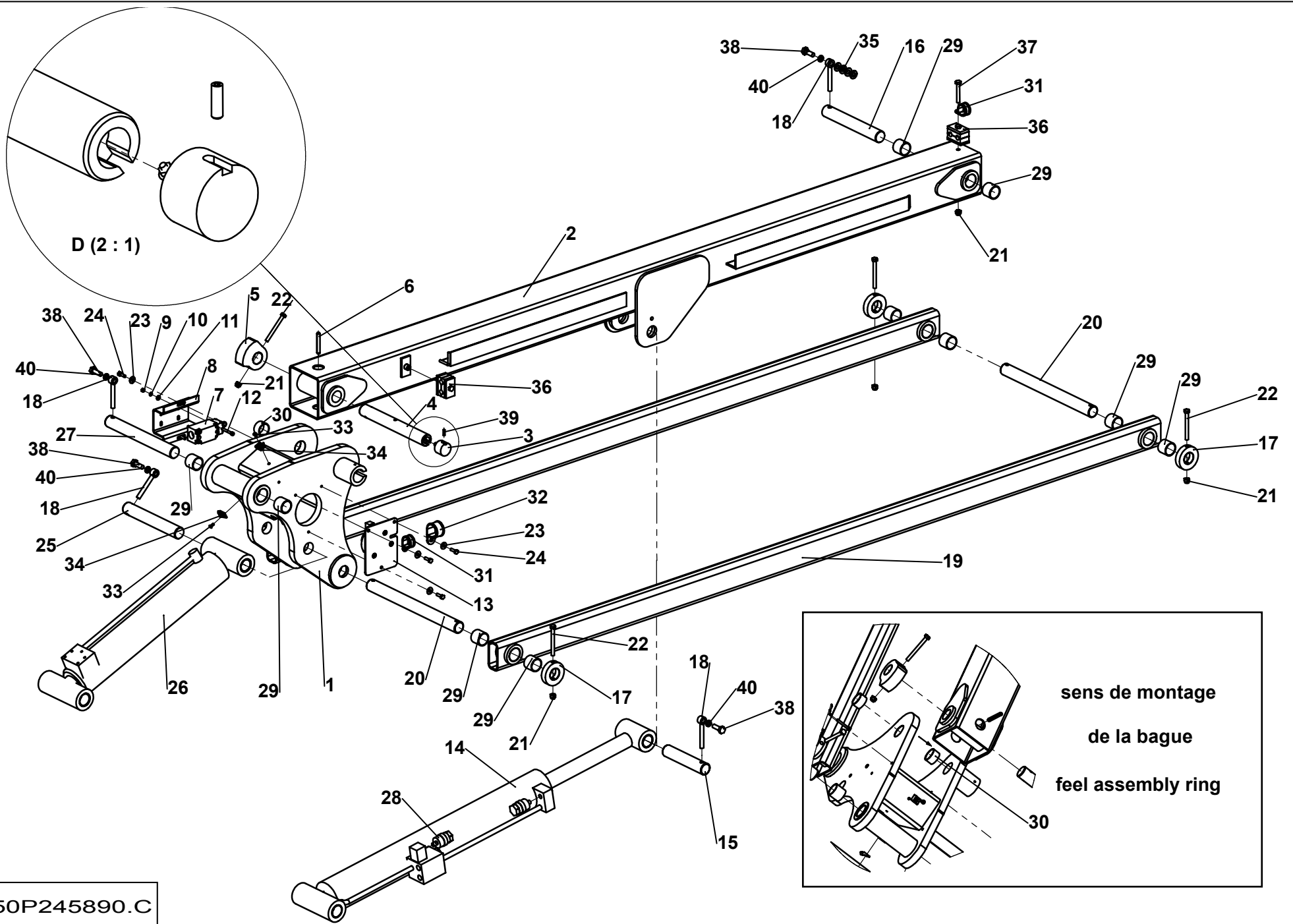
| Rep. | Désignation | Designation | Specification | Qty | Code | Up to / jusqu'à |
|------|--------------------------|-----------------------------|------------------------|-----|------------|-----------------|
| 1 | PIÈCE LIAISON PEND. | JIB LINK PART | | 1 | 131P243080 | |
| 2 | BRAS SUPÉRIEUR | TOP ARM | | 1 | 131P237720 | |
| 3 | CAPTEUR D'ANGLE | ANGLE SENSOR | S020184 | 1 | 2901002900 | |
| 4 | AXE | PIN | | 1 | 131P237710 | |
| 5 | ARRÊT CAPTEUR | SENSOR STOP | | 1 | 178C144390 | |
| 6 | GOUPILLE ÉLASTIQUE | FLEXIBLE PIN | E 8-60 | 1 | 2352212510 | |
| 7 | INTERRUPTEUR POSITION | POSITION SWITCH | | 1 | 2440901520 | |
| 8 | PLAQUE DE PROTECTION | PROTECTIVE PLATE | | 1 | 131P237730 | |
| 9 | ECROU | NUT | H M5 CL. 8 ZB | 4 | 2341221040 | |
| 10 | RONDELLE À DENTS | TOOTH LOCK WASHER | DEC 5 ZB | 4 | 2351301060 | |
| 11 | RONDELLE PLATE | FLAT WASHER | M 5 ZB | 4 | 2351112040 | |
| 12 | VIS | SCREW | CHC M5X40-22 CL.8,8 ZB | 4 | 2308231360 | |
| 13 | CAPTEUR D'ANGLE | ANGLE SENSOR | | 1 | 131P230141 | |
| 14 | VÉRIN RELEVAGE PENDULAIR | PENDULAR RAISING CYLINDER | | 1 | 150P246760 | |
| 15 | AXE NEZ DE VÉRIN | CYLINDER NOSE-PIECE PIN | Ø 32 | 1 | 149C143300 | |
| 16 | AXE BRAS SUP | TOP ARM PIN | DIA 32 | 1 | 149C143780 | |
| 17 | BAGUE D'ARRÊT | FIXING COLLAR | | 4 | 178D158340 | |
| 18 | CHAPE MÂLE LISSE | SMOOTH MALE SLOT | | 4 | 132D154320 | |
| 19 | BRAS INFÉRIEUR | BOTTOM ARM | | 2 | 149B152610 | |
| 20 | AXE BRAS DE FOND | BOTTOM ARM PIN | DIA 32 | 2 | 149C143290 | |
| 21 | ECROU AUTOFREINÉ | SELF-LOCKED NUT | H FR M8 CL. 8 ZB | 6 | 2349221500 | |
| 22 | VIS | SCREW | H M8X80-22 CL.8.8 ZB | 5 | 2301231750 | |
| 23 | RONDELLE PLATE | FLAT WASHER | L 6 ZB | 5 | 2351123050 | |
| 24 | VIS | SCREW | H M6X20-20 CL.8.8 ZB | 5 | 2331231330 | |
| 25 | AXE PIÈCE LIAISON PEND. | JIB LINK PART PIN | | 1 | 150C143750 | |
| 26 | VÉRIN RÉCEPTEUR COMPENS. | COMPENSATION INPUT CYLINDER | | 1 | 150B153510 | |



150P245890.C

▲ ENSEMBLE PENDULAIRE JIB ASSEMBLY

| Rep. | Désignation | Designation | Specification | Qty | Code | Up to / jusqu'à |
|------|--------------------------|-------------------------|-------------------------|-----|------------|-----------------|
| 27 | AXE PIÈCE LIAISON PEND. | JIB LINK PART PIN | | 1 | 150C143770 | |
| 28 | CAPTEUR DE PRESSION | PRESSURE SENSOR | S5865 | 2 | 2421620600 | |
| 29 | BAGUE | RING | | 12 | 2390150540 | |
| 30 | BAGUE | RING | | 2 | 2390150770 | |
| 31 | COLLIER DE FIXATION | CABLE CLIP | Ø27 X 15 | 2 | 2389003460 | |
| 32 | COLLIER DE FIXATION | CABLE CLIP | Ø35 X 25 | 1 | 2389004080 | |
| 33 | RIVET AVEUGLE TÊTE BOMBÉ | BLIND RAISED-HEAD RIVET | TAPD 68 BS | 2 | 2421809250 | |
| 34 | EMBASE | BASE | | 2 | 2901001660 | |
| 35 | RONDELLE PLATE | FLAT WASHER | M 10 ZB | 4 | 2351112090 | |
| 36 | COLLIER SÉRIE DOUBLE | CHAIN (DOUBLE SERIES) | SP 212.7/12.7 -PP GD-AS | 2 | 2389003270 | |
| 38 | VIS | SCREW | H M10X30-30 CL.8.8 ZB | 4 | 2331231540 | |
| 39 | VIS À BOUT PLAT | FLAT-END SCREW | HC M5-16-45H ZB | 1 | 2700100300 | |
| 40 | RONDELLE ÉLASTIQUE | RUBBER WASHER | W 10 ZB | 4 | 2351201090 | |
| Non | VIS | SCREW | H M6X16-16 CL.8.8 ZB | 1 | 2331231310 | |
| | | | | | | |
| | | | | | | |
| | | | | | | |
| | | | | | | |
| | | | | | | |
| | | | | | | |
| | | | | | | |
| | | | | | | |
| | | | | | | |
| | | | | | | |
| | | | | | | |
| | | | | | | |
| | | | | | | |
| | | | | | | |
| | | | | | | |

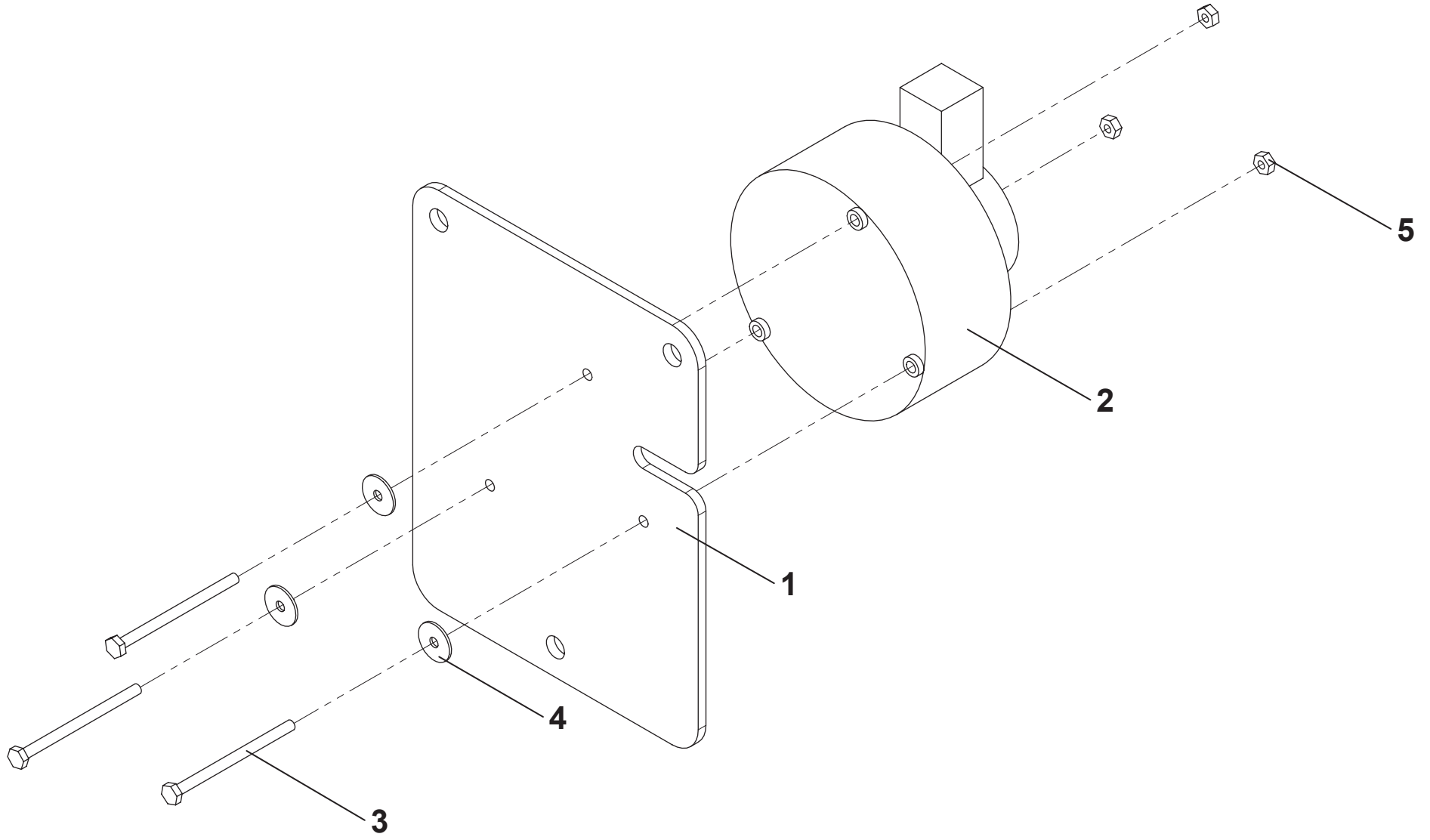


150P245890.C

**▲ CAPTEUR D'ANGLE
ANGLE SENSOR**

◀ D1-13 ▶

| Rep. | Désignation | Designation | Specification | Qty | Code | Up to / jusqu'à |
|----------|---------------------------|---------------------|-----------------------------|----------|-------------------|-----------------|
| <i>1</i> | <i>PLAQUE DE FIXATION</i> | <i>FIXING PLATE</i> | | <i>1</i> | <i>131P229480</i> | |
| <i>2</i> | <i>CAPTEUR D'ANGLE</i> | <i>ANGLE SENSOR</i> | <i>S6000</i> | <i>1</i> | <i>2901000270</i> | |
| <i>3</i> | <i>VIS</i> | <i>SCREW</i> | <i>H M3X45-45 CL.8.8 ZB</i> | <i>3</i> | <i>2700100210</i> | |
| <i>4</i> | <i>RONDELLE PLATE</i> | <i>FLAT WASHER</i> | <i>L 3 ZB</i> | <i>3</i> | <i>2351113010</i> | |
| <i>5</i> | <i>ECROU</i> | <i>NUT</i> | <i>H M3 CL. 8 ZB</i> | <i>3</i> | <i>2341221010</i> | |
| | | | | | | |
| | | | | | | |
| | | | | | | |
| | | | | | | |
| | | | | | | |
| | | | | | | |
| | | | | | | |
| | | | | | | |
| | | | | | | |
| | | | | | | |
| | | | | | | |
| | | | | | | |
| | | | | | | |
| | | | | | | |
| | | | | | | |
| | | | | | | |
| | | | | | | |
| | | | | | | |
| | | | | | | |

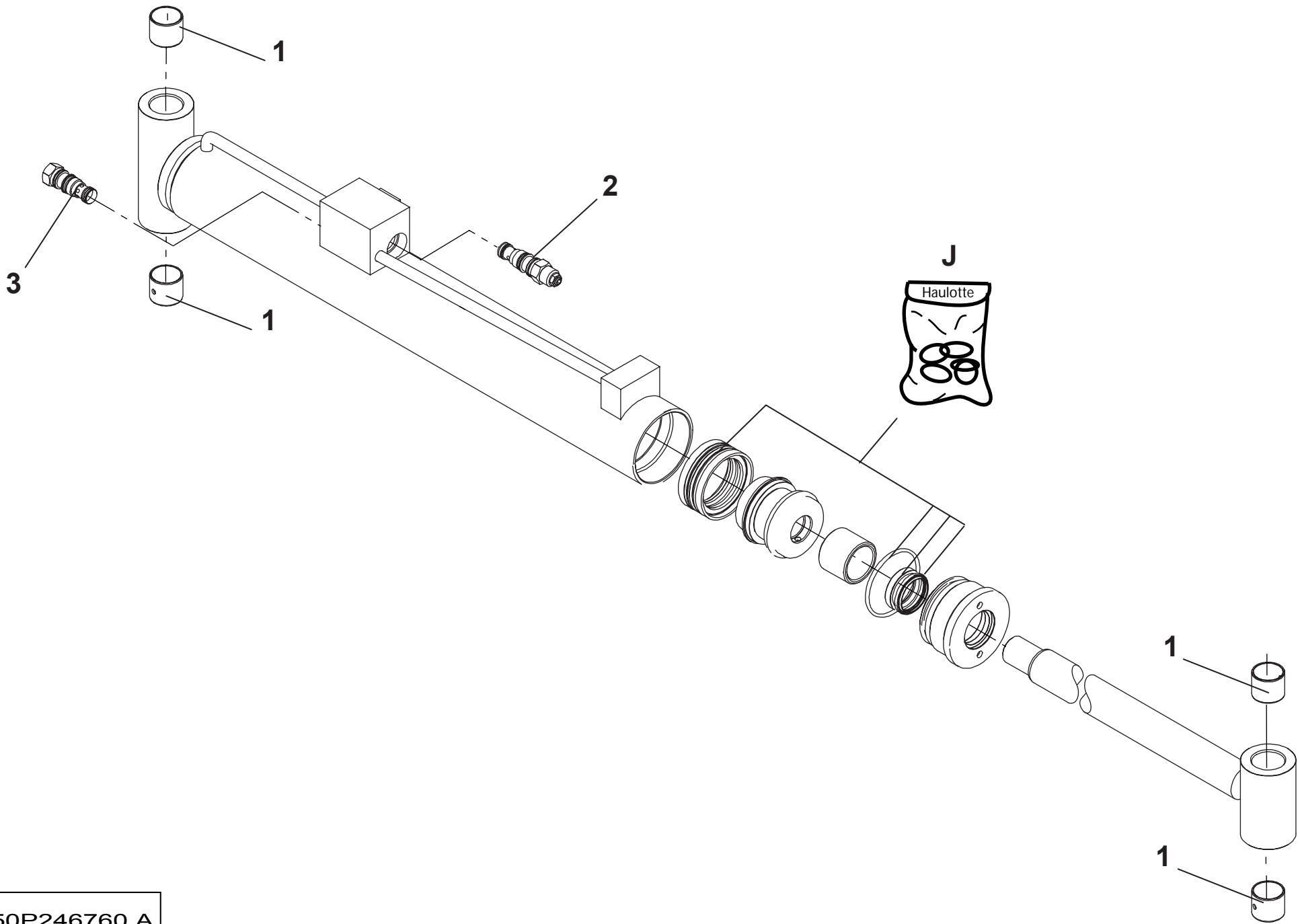


131P230141.B

▲ **VÉRIN RELEVAGE PENDULAIR**
PENDULAR RAISING CYLINDER

◀ **D1-14** ▶

| Rep. | Désignation | Designation | Specification | Qty | Code | Up to / jusqu'à |
|------|---------------------|-----------------|---------------|-----|------------|-----------------|
| 1 | BAGUE | RING | | 4 | 2390150540 | |
| 2 | VALVE D'ÉQUILIBRAGE | BALANCING VALVE | | 1 | 2422204860 | |
| 3 | CLAPET PILOTÉ | PILOTED VALVE | | 1 | 2426602110 | |
| J | POCHETTE DE JOINTS | BAG OF SEALS | | 1 | 2504000590 | |
| | | | | | | |
| | | | | | | |
| | | | | | | |
| | | | | | | |
| | | | | | | |
| | | | | | | |
| | | | | | | |
| | | | | | | |
| | | | | | | |
| | | | | | | |
| | | | | | | |
| | | | | | | |
| | | | | | | |
| | | | | | | |
| | | | | | | |
| | | | | | | |
| | | | | | | |
| | | | | | | |
| | | | | | | |
| | | | | | | |
| | | | | | | |

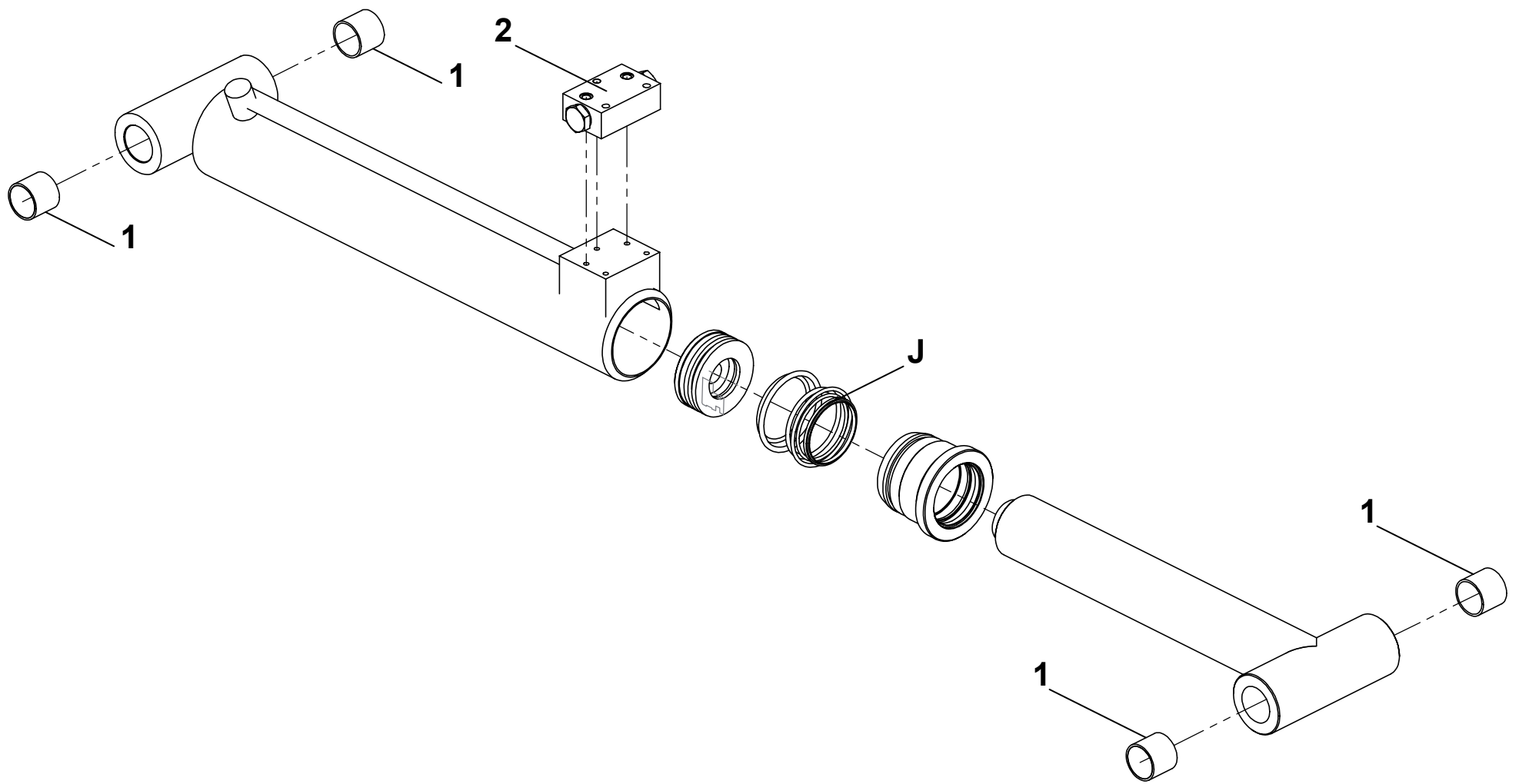


150P246760.A

**▲ VÉRIN RÉCEPTEUR COMPENS.
 COMPENSATION INPUT CYLINDER**

◀ D1-26 ▶

| Rep. | Désignation | Designation | Specification | Qty | Code | Up to / jusqu'à |
|------|--------------------|---------------|---------------|-----|------------|-----------------|
| 1 | BAGUE | RING | | 4 | 2390150540 | |
| 2 | CLAPET ANTI-RETOUR | ONE-WAY VALVE | | 1 | 2420212290 | |
| J | POCHETTE DE JOINTS | BAG OF SEALS | | 1 | 2504000660 | |
| | | | | | | |
| | | | | | | |
| | | | | | | |
| | | | | | | |
| | | | | | | |
| | | | | | | |
| | | | | | | |
| | | | | | | |
| | | | | | | |
| | | | | | | |
| | | | | | | |
| | | | | | | |
| | | | | | | |
| | | | | | | |
| | | | | | | |
| | | | | | | |
| | | | | | | |
| | | | | | | |
| | | | | | | |
| | | | | | | |
| | | | | | | |
| | | | | | | |
| | | | | | | |
| | | | | | | |
| | | | | | | |
| | | | | | | |
| | | | | | | |
| | | | | | | |
| | | | | | | |

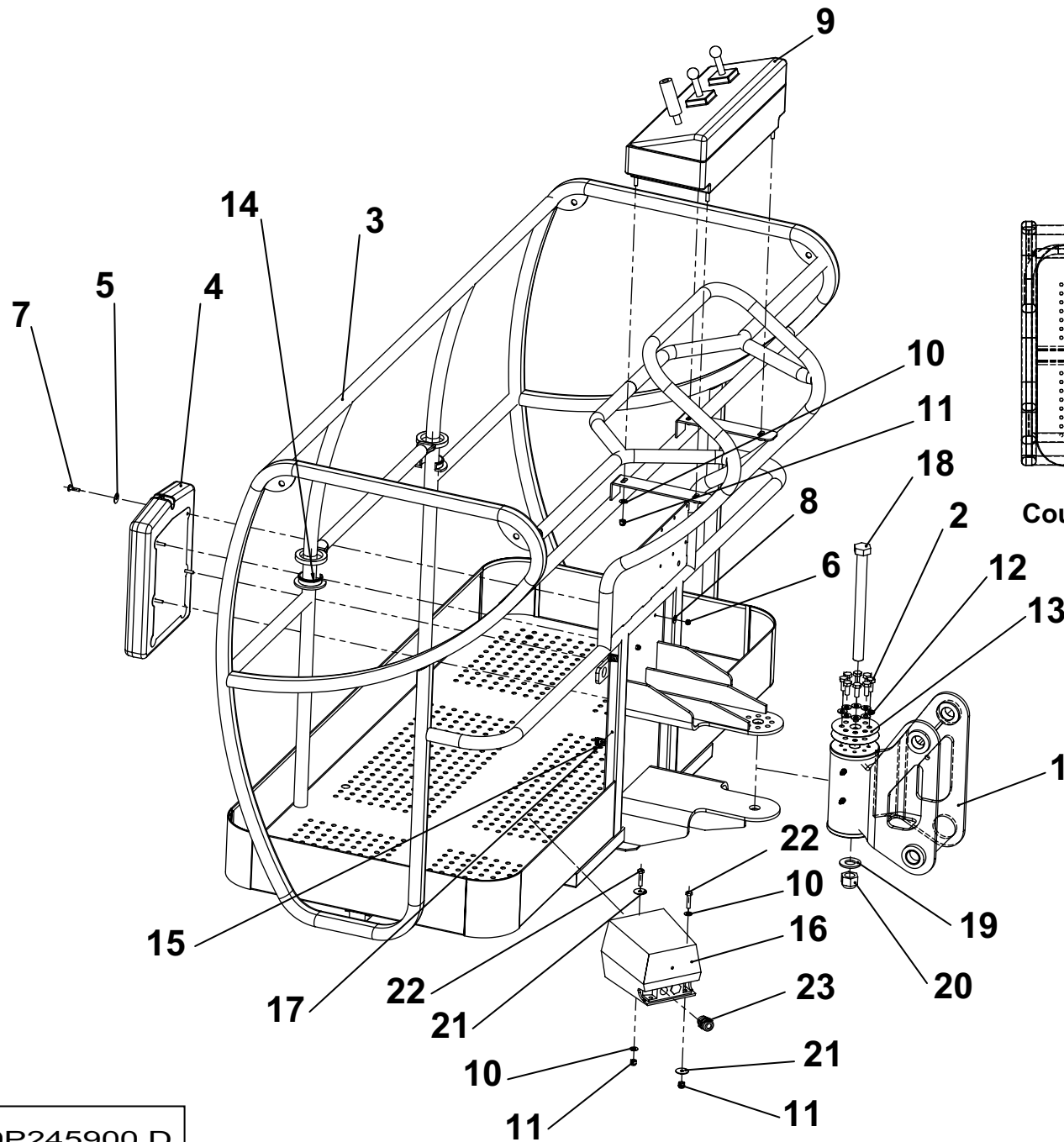


150B153510.D

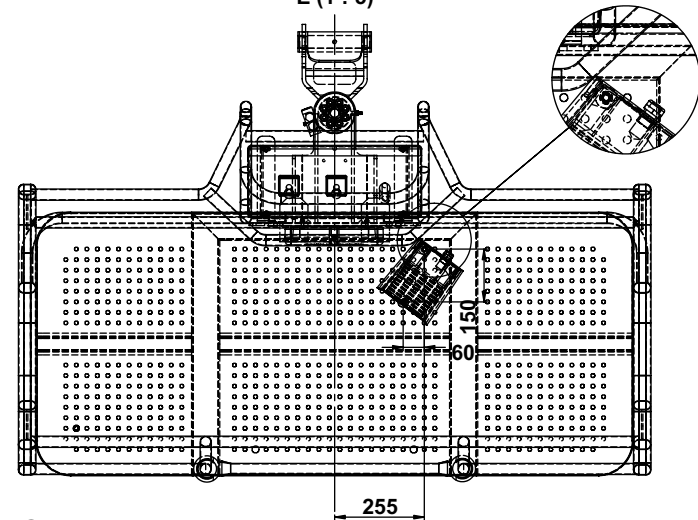
**▲ ENSEMBLE NACELLE
GANTRY ASSY.**

◀ **D2** ▶

| Rep. | Désignation | Designation | Specification | Qty | Code | Up to / jusqu'à |
|------|--------------------------|-------------------------|------------------------|-----|------------|-----------------|
| 1 | VÉRIN ROTATIF | ROTARY CYLINDER / JACK | | 1 | 158B166030 | |
| 2 | VIS | SCREW | H M10X25-25 CL.8.8 ZB | 8 | 2331231560 | |
| 3 | PANIER | BASKET | 1800 X 800 | 1 | 179P245770 | |
| 4 | BOÎTE À DOCUMENTS | DOCUMENT BOX | | 1 | 2420209920 | |
| 5 | RONDELLE PLATE | FLAT WASHER | LL 6 ZB | 4 | 2351124050 | |
| 6 | ECROU AUTOFREINÉ | SELF-LOCKED NUT | H FR M6 CL. 8 ZB | 4 | 2349221490 | |
| 7 | VIS POËLIER FENDUE | SLOTTED SCREW | RLS M6X25 CL.4.8 ZB | 4 | 2700100140 | |
| 8 | RONDELLE PLATE | FLAT WASHER | L 6 ZB | 4 | 2351123050 | |
| 9 | COFFRET NACELLE | PLATFORM CABINET | | 1 | 157P244650 | |
| 10 | RONDELLE PLATE | FLAT WASHER | M 8 ZB | 6 | 2351112070 | |
| 11 | ECROU AUTOFREINÉ | SELF-LOCKED NUT | H FR M8 CL. 8 ZB | 6 | 2349221500 | |
| 12 | RONDELLE PLATE | FLAT WASHER | M 10 ZB | 8 | 2351112090 | |
| 13 | CALE ÉPAISSEUR | SPACER | 0.5 MM | 2 | 131P248950 | |
| 14 | BAGUE DE RÉGLAGE | ADJUSTING RING | | 2 | 179P204250 | |
| 15 | RIVET AVEUGLE TÊTE BOMBÉ | BLIND RAISED-HEAD RIVET | TAPD 68 BS | 3 | 2421809250 | |
| 16 | PÉDALE AVEC CAPOT | PEDAL | | 1 | 2441608180 | |
| 17 | EMBASE | BASE | | 3 | 2901001660 | |
| 18 | VIS | SCREW | H M24X280-73 CL.8.8 ZB | 1 | 2301236060 | |
| 19 | RONDELLE PLATE | FLAT WASHER | M 24 ZB | 1 | 2351112170 | |
| 20 | ECROU AUTOFREINÉ | SELF-LOCKED NUT | H FR M24 CL. 8 ZB | 1 | 2349221570 | |
| 21 | RONDELLE PLATE | FLAT WASHER | LL 8 ZB | 2 | 2351124070 | |
| 22 | VIS | SCREW | H M8X35-22 CL.8.8 ZB | 2 | 2301231660 | |
| 23 | PRESSE-ÉTOUPE | PACKING BOX | S020240 | 1 | 2901002290 | |
| | | | | | | |
| | | | | | | |
| | | | | | | |



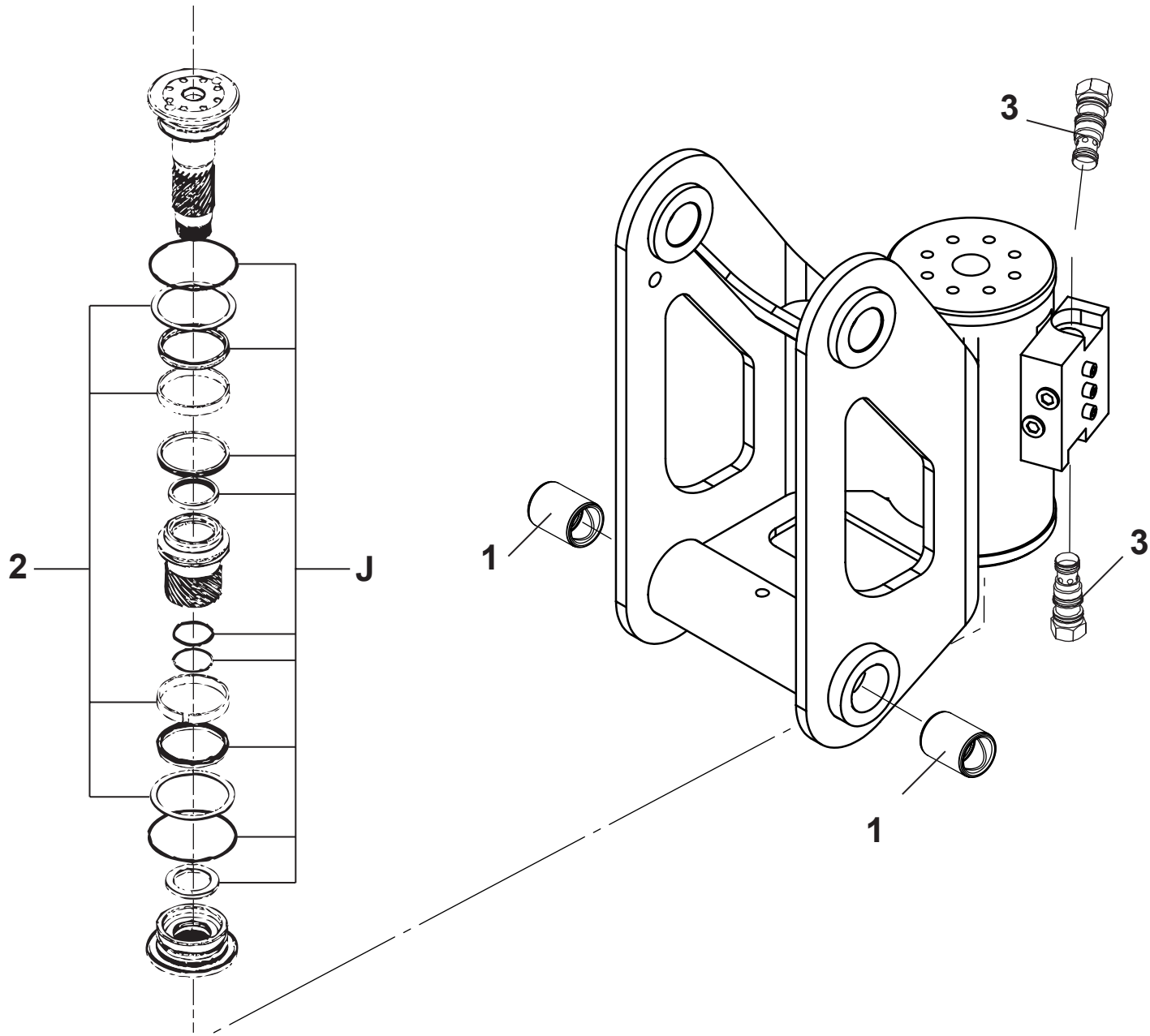
POSITION PEDALE
E (1 : 5)



Couple de serrage
4.77 daN.m

**▲ VÉRIN ROTATIF
 ROTARY CYLINDER / JACK**

| Rep. | Désignation | Designation | Specification | Qty | Code | Up to / jusqu'à |
|------|-------------------------|---------------------------|---------------|-----|------------|-----------------|
| 1 | BAGUE | RING | | 2 | 2390150770 | |
| 2 | KIT DE ROUEMENTS | BEARING KIT | | 1 | 2421102180 | |
| 3 | VALVE ÉQUILIBRAGE CART. | CARTRIDGE BALANCING VALVE | | 2 | 2505001420 | |
| J | POCHETTE DE JOINTS | BAG OF SEALS | | 1 | 2421694710 | |
| | | | | | | |
| | | | | | | |
| | | | | | | |
| | | | | | | |
| | | | | | | |
| | | | | | | |
| | | | | | | |
| | | | | | | |
| | | | | | | |
| | | | | | | |
| | | | | | | |
| | | | | | | |
| | | | | | | |
| | | | | | | |
| | | | | | | |
| | | | | | | |
| | | | | | | |
| | | | | | | |

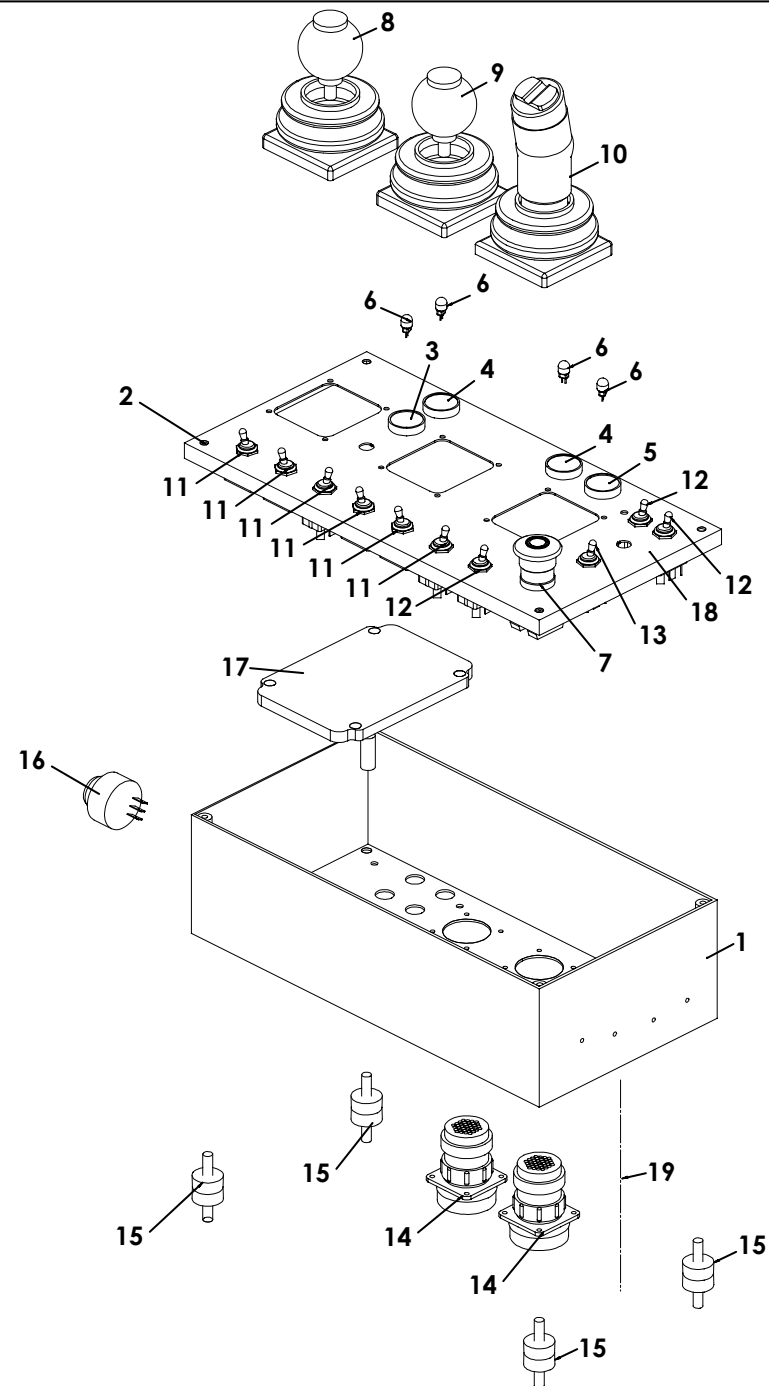


158B166030.B

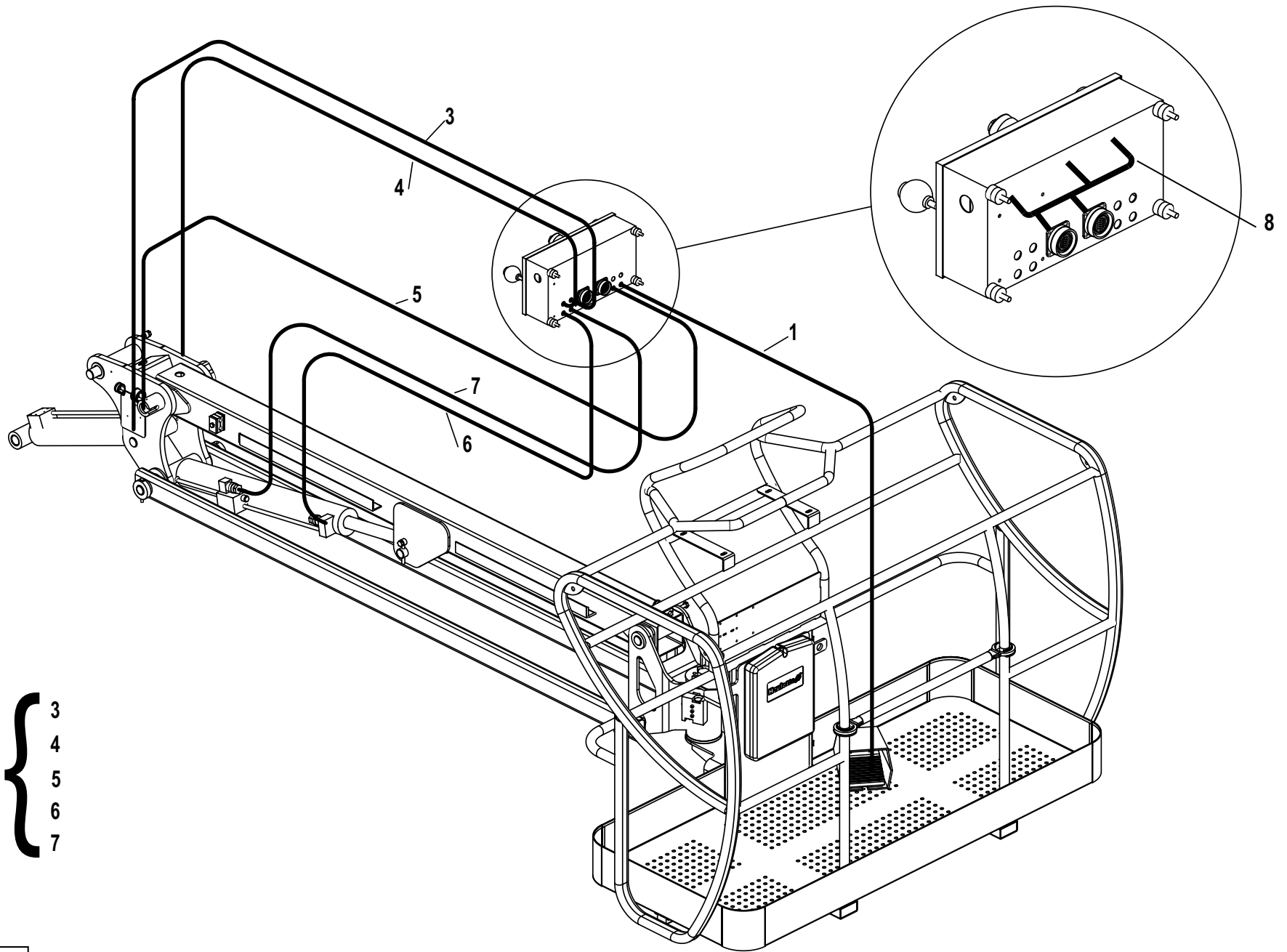
▲ **COFFRET NACELLE**
PLATFORM CABINET

◀ **D2-9** ▶

| Rep. | Désignation | Designation | Specification | Qty | Code | Up to / jusqu'à |
|------|--------------------------|---------------------------|---------------|-----|------------|-----------------|
| 1 | COFFRET | BOX | | 1 | 2901004120 | |
| 1 | COUVERCLE | COVER | | 1 | 2326007300 | |
| 3 | VOYANT | LIGHT | | 1 | 2442202060 | |
| 4 | VOYANT ROUGE | RED LIGHT INDICATOR | | 2 | 2442202050 | |
| 5 | VOYANT VERT | GREEN INDICATOR LIGHT | | 1 | 2442202070 | |
| 6 | AMPOULE | BULB | 12V 2W | 4 | 2441202230 | |
| 7 | BOUTON COUP DE POING | MUSHROOM-HEADED BUTTON | | 1 | 2901004010 | |
| 8 | MANIPULATEUR 2 AXES | DOUBLE-AXIS CONTROLLER | S5463 | 1 | 2441305350 | |
| 9 | MANIPULATEUR 1 AXE | SINGLE-AXIS CONTROLLER | S5462 | 1 | 2441305340 | |
| 10 | MANIPULATEUR 1 AXE | SINGLE-AXIS CONTROLLER | S5464 | 1 | 2441305360 | |
| 11 | INTER. UNIPOLAIRE LEVIER | SINGLE-POLE TOGGLE SWITCH | | 6 | 2440901620 | |
| 12 | INTER. UNIPOLAIRE LEVIER | SINGLE-POLE TOGGLE SWITCH | | 3 | 2440901640 | |
| 13 | INTER BIPOLAIRE À LEVIER | DOUBLE-POLE TOGGLE SWITCH | | 1 | 2440901630 | |
| 14 | EMBASE 37 VOIES | 37-WAY SOCKET/RECEPTACLE | 208 471-1 | 2 | 2440502980 | |
| 15 | SILENTBLOC | SILENTBLOC | | 4 | 2421902450 | |
| 16 | BUZZER | BUZZER | | 1 | 2440213070 | |
| 17 | CARTE PESAGE | WEIGHING CARD | S5814 | 1 | 2901000450 | |
| 18 | PUPITRE NACELLE | PLATFORM CONTROL PANEL | EUROPE | 1 | 307P215720 | |
| 19 | CHEMINEMENT FAISCEAUX | WIRING HARNESS TRACKING | | 1 | 2901004030 | |
| | | | | | | |
| | | | | | | |
| | | | | | | |
| | | | | | | |
| | | | | | | |
| | | | | | | |
| | | | | | | |
| | | | | | | |



157P244650 A

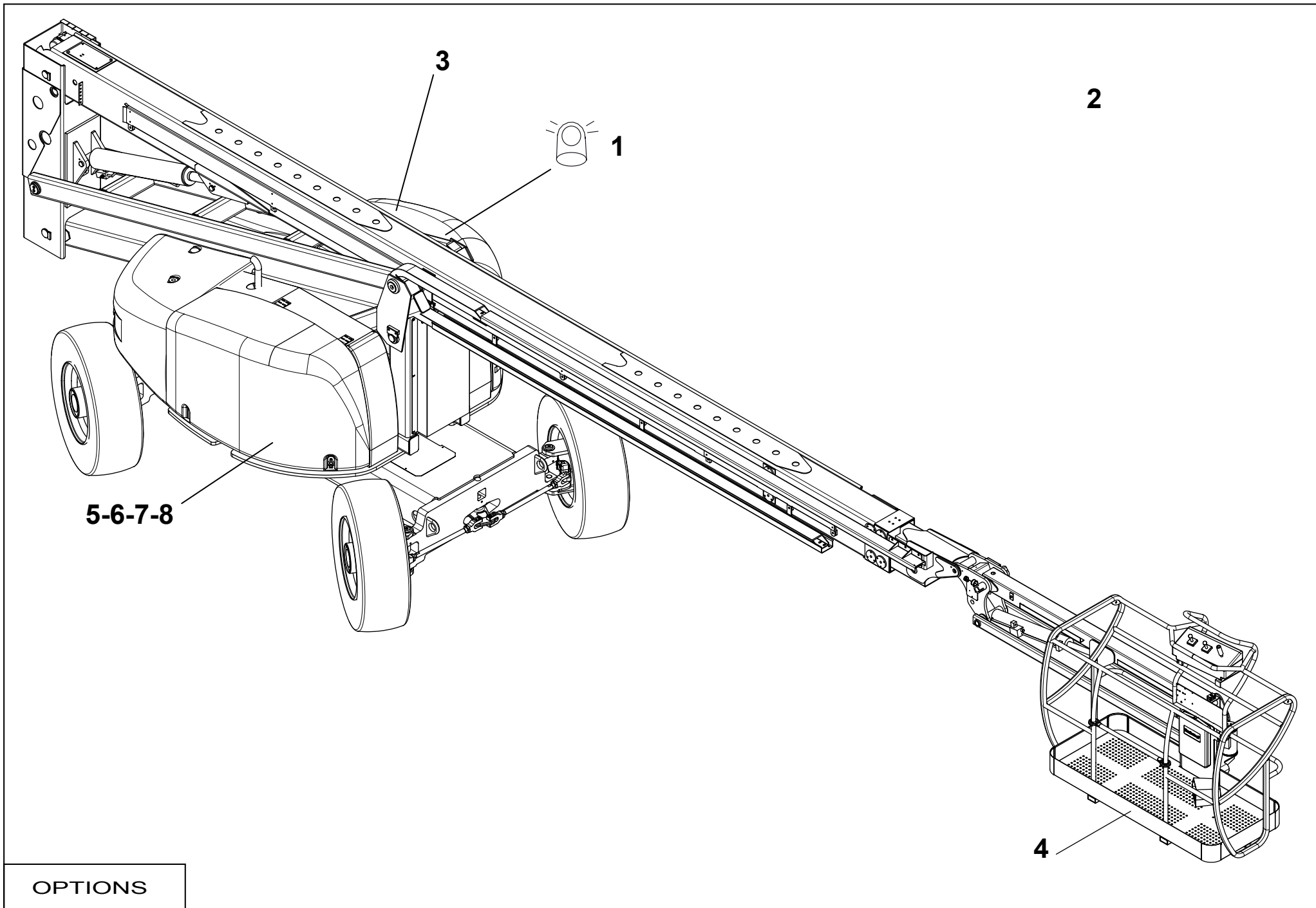


2 { 3
4
5
6
7

▲ OPTIONS OPTION



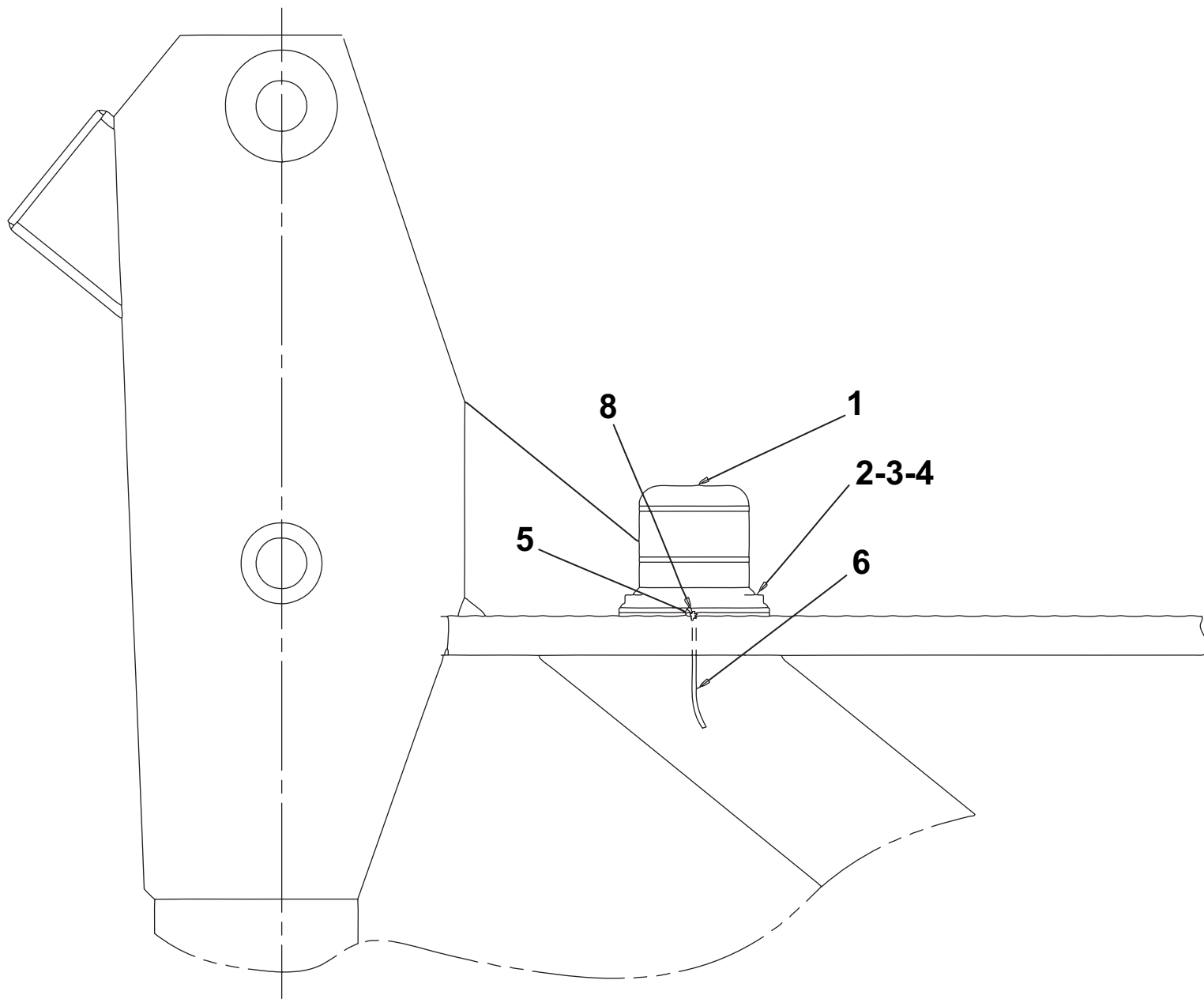
| Rep. | Désignation | Designation | Specification | Up to / jusqu'à |
|------|--------------------------|-------------------------------|---------------|-----------------|
| 1 | FEU À ÉCLAT | FLASHING LIGHT | | |
| 2 | REFROIDISSEUR HYDRAULIQU | HYDRAULIC COOLER | | |
| 3 | VIDANGE+REMPLISSAGE | EMPTYING AND FILLING | | |
| 4 | OPTION PANIER LARGE | WIDE BASKET OPTION | | |
| 5 | MONTAGE GÉNÉRATRICE | MOUNTING OF POWER SUPPLY UNIT | | |
| 6 | MONTAGE GÉNÉRATRICE | MOUNTING OF POWER SUPPLY UNIT | | |
| 7 | MONTAGE GÉNÉRATRICE | MOUNTING OF POWER SUPPLY UNIT | | |
| 8 | MONTAGE GÉNÉRATRICE | MOUNTING OF POWER SUPPLY UNIT | | |
| | | | | |
| | | | | |
| | | | | |
| | | | | |
| | | | | |
| | | | | |
| | | | | |
| | | | | |
| | | | | |
| | | | | |
| | | | | |
| | | | | |
| | | | | |
| | | | | |
| | | | | |
| | | | | |
| | | | | |
| | | | | |
| | | | | |
| | | | | |
| | | | | |



**▲ FEU À ÉCLAT
FLASHING LIGHT**

◀ **E1** ▶

| Rep. | Désignation | Designation | Specification | Qty | Code | Up to / jusqu'à |
|------|----------------------|------------------------------|----------------------|-----|------------|-----------------|
| 1 | FEU À ÉCLAT | FLASHING LIGHT | 15W | 1 | 2440601490 | |
| 2 | VIS | SCREW | H M6X25-25 CL.8.8 ZB | 3 | 2331231340 | |
| 3 | RONDELLE À DENTS | TOOTH LOCK WASHER | DD 6 ZB | 3 | 2351303070 | |
| 4 | ECROU | NUT | H M6 CL. 8 ZB | 3 | 2341221050 | |
| 6 | FAISCEAU FEU À ÉCLAT | CABLE BUNDLE FLASHING LIGHTS | | 1 | 150P257460 | |
| 8 | PASSE-FIL | GROMMET | | 1 | 2441607330 | |
| | | | | | | |
| | | | | | | |
| | | | | | | |
| | | | | | | |
| | | | | | | |
| | | | | | | |
| | | | | | | |
| | | | | | | |
| | | | | | | |
| | | | | | | |
| | | | | | | |
| | | | | | | |
| | | | | | | |
| | | | | | | |
| | | | | | | |
| | | | | | | |
| | | | | | | |
| | | | | | | |
| | | | | | | |
| | | | | | | |
| | | | | | | |
| | | | | | | |
| | | | | | | |
| | | | | | | |
| | | | | | | |
| | | | | | | |
| | | | | | | |
| | | | | | | |
| | | | | | | |
| | | | | | | |
| | | | | | | |
| | | | | | | |
| | | | | | | |
| | | | | | | |
| | | | | | | |
| | | | | | | |
| | | | | | | |
| | | | | | | |
| | | | | | | |
| | | | | | | |
| | | | | | | |
| | | | | | | |
| | | | | | | |



150P257450.A

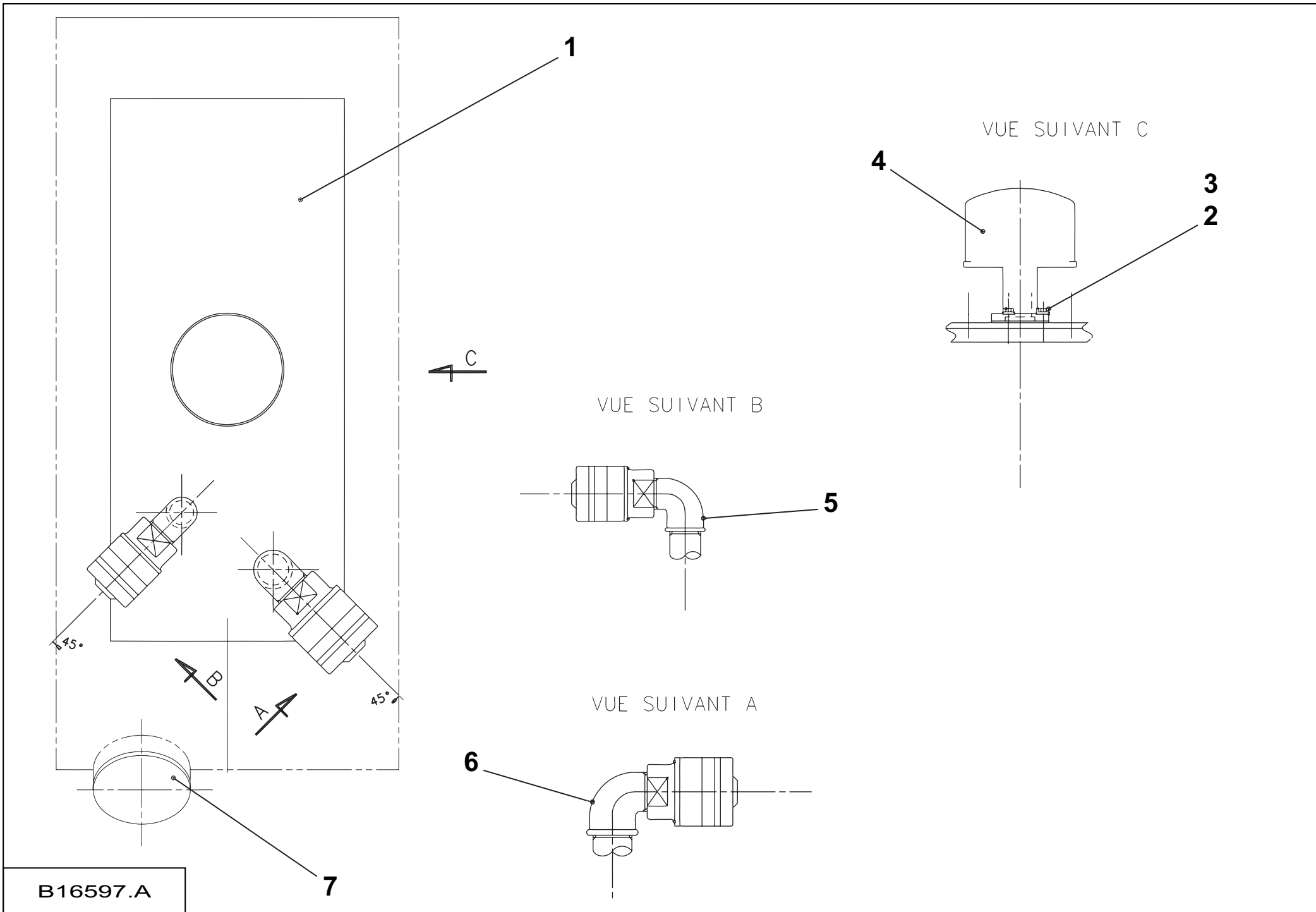
**▲ REFROIDISSEUR HYDRAULIQU
HYDRAULIC COOLER**

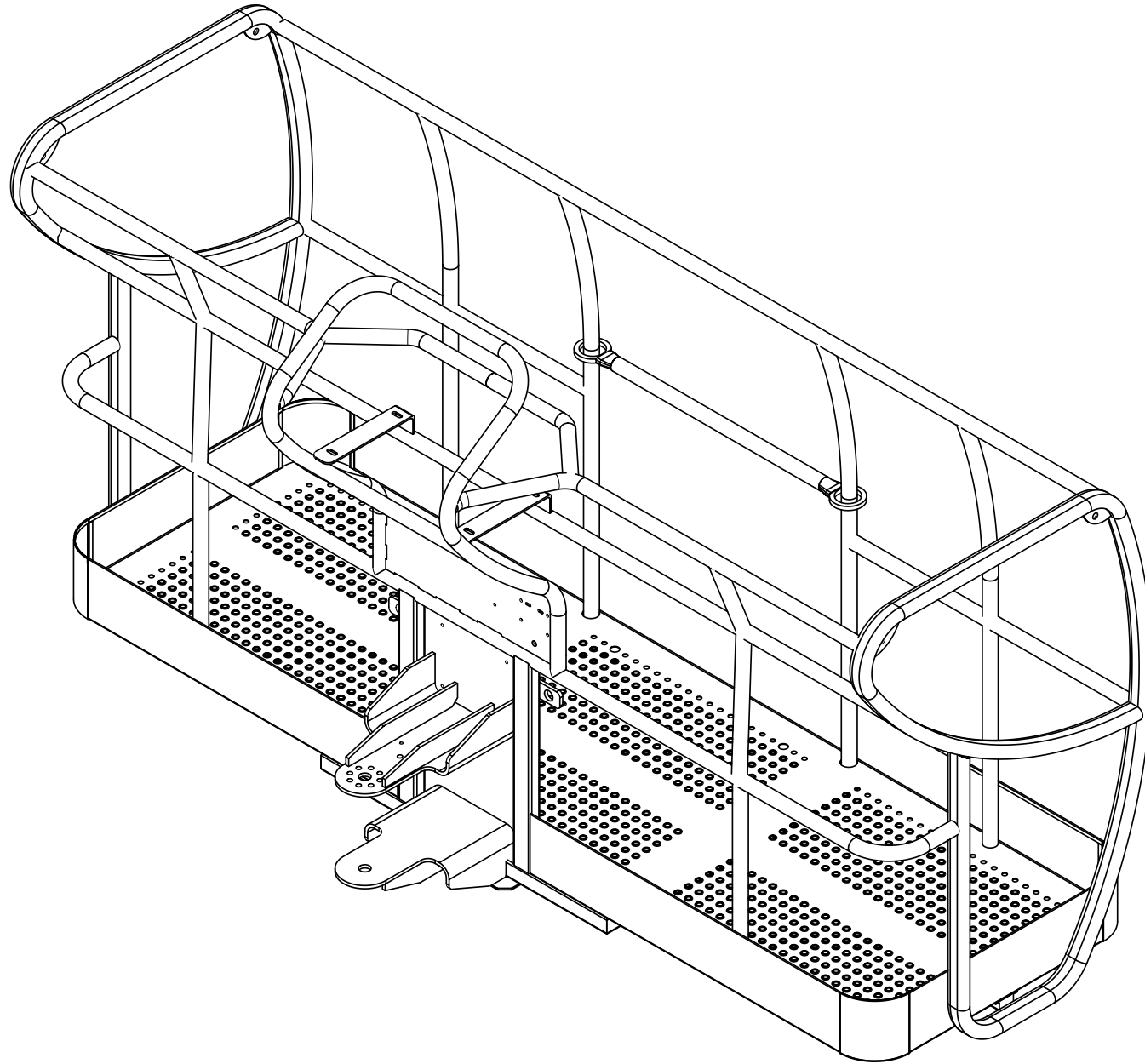
◀ **E2** ▶

| Rep. | Désignation | Designation | Specification | Qty | Code | Up to / jusqu'à |
|------|-------------------------|--------------------------|--------------------------|-----|------------|-----------------|
| 1 | REFRIGÉRANT HYDRAULIQUE | HYDRAULIC REFRIGERANT | | 1 | 2421809190 | |
| 2 | SUPPORT RADIATEUR | RADIATOR SUPPORT | | 1 | 157B171790 | |
| 4 | GRILLE DE PROTECTION | PROTECTIVE GRID | | 1 | 157C176540 | |
| 5 | COLLIER DE FIXATION | CABLE CLIP | Ø35 X 25 | 1 | 2389004080 | |
| 6 | VIS | SCREW | H M10X16-16 CL.8.8 ZB | 1 | 2331231510 | |
| 7 | RONDELLE ÉLASTIQUE | RUBBER WASHER | W 8 ZB | 4 | 2351201070 | |
| 8 | VIS | SCREW | H M8X35-35 CL.8.8 ZB | 8 | 2331235460 | |
| 9 | ECROU AUTOFREINÉ | SELF-LOCKED NUT | H FR M8 CL. 8 ZB | 4 | 2349221500 | |
| 10 | COUDE ORIENT. 135° JIC | ADJUSTABLE BEND 135° JIC | 1+1/16 - 12 | 1 | 2369136200 | |
| 11 | UNION MÂLE JIC | MALE UNION PIECE JIC | BSPP 1 - JIC 1+1/16 - 12 | 3 | 2369110240 | |
| 12 | COUDE ORIENT. 90° JIC | ADJUSTABLE BEND 90° JIC | 1+1/16 - 12 | 1 | 2369135180 | |
| 13 | FLEXIBLE | FLEXIBLE | 3/4" LG= 780 | 1 | 2369059300 | |
| 14 | FLEXIBLE | FLEXIBLE | 3/4" LG= 800 | 1 | 2369076000 | |
| 15 | TÉ ÉGAL JIC | EQUAL T-PIECE JIC | 1+1/16 - 12 | 1 | 2369141180 | |
| 16 | RONDELLE ÉLASTIQUE | RUBBER WASHER | W 10 ZB | 1 | 2351201090 | |
| 17 | RONDELLE PLATE | FLAT WASHER | M 8 ZB | 12 | 2351112070 | |
| Non | FAISCEAU ÉLECTRO VANNE | ELECTROVALVE BUNDLE | | 1 | 150C171060 | |
| | | | | | | |
| | | | | | | |
| | | | | | | |
| | | | | | | |
| | | | | | | |
| | | | | | | |
| | | | | | | |
| | | | | | | |
| | | | | | | |
| | | | | | | |

**▲ VIDANGE+REEMPLISSAGE
EMPTYING AND FILLING**

| Rep. | Désignation | Designation | Specification | Qty | Code | Up to / jusqu'à |
|------|------------------|-------------------|-------------------------|-----|------------|-----------------|
| | VIS | SCREW | H M5X10-10 CL.8.8 ZB | 6 | 2331231200 | |
| | RONDELLE À DENTS | TOOTH LOCK WASHER | DEC 5 ZB | 9 | 2351301060 | |
| 1 | COUVERCLE | COVER | | 1 | 152P225820 | |
| 2 | VIS | SCREW | H M5X20-16 CL.8.8 ZB | 3 | 2331231220 | |
| 4 | KIT COUPLEUR | COUPLING KIT | | 1 | 2421101460 | |
| 2a | 1/2 COUPLEUR | 1/2 COUPLING | 1" M | 1 | 2420315820 | |
| 2b | BOUCHON | PLUG | P/ 1" M | 1 | 2420210070 | |
| 2c | 1/2 COUPLEUR | 1/2 COUPLING | 3/4" M | 1 | 2420315830 | |
| 2d | BOUCHON | PLUG | P/ 3/4" M | 1 | 2420210060 | |
| 2e | RENIFLARD | SNIFFER | | 1 | 2420208900 | |
| 5 | COUDE | BEND | N 92 -130 - 20MM - 3/4" | 1 | 2372120200 | |
| 6 | COUDE | BEND | N 92 -130 - 26MM - 1" | 1 | 2372120260 | |
| 7 | OBTURATEUR | SEAL | | 1 | 150D154380 | |
| | | | | | | |
| | | | | | | |
| | | | | | | |
| | | | | | | |
| | | | | | | |
| | | | | | | |
| | | | | | | |
| | | | | | | |
| | | | | | | |
| | | | | | | |
| | | | | | | |
| | | | | | | |



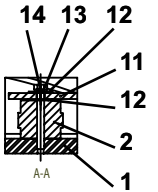
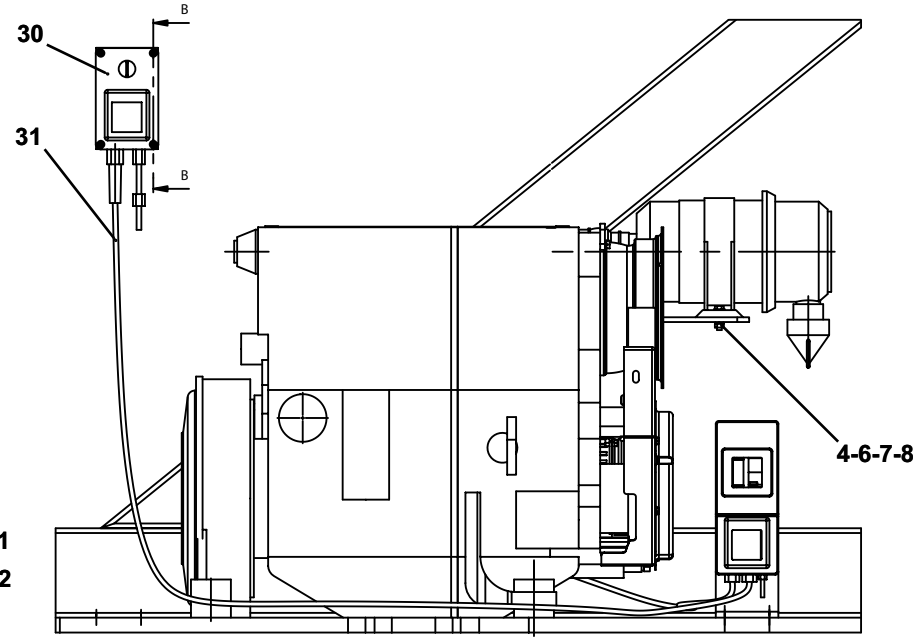
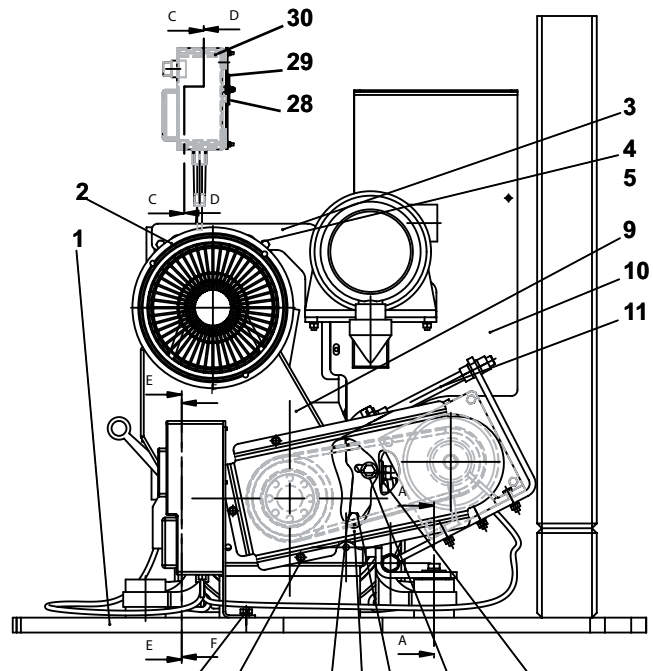


157P244300.B

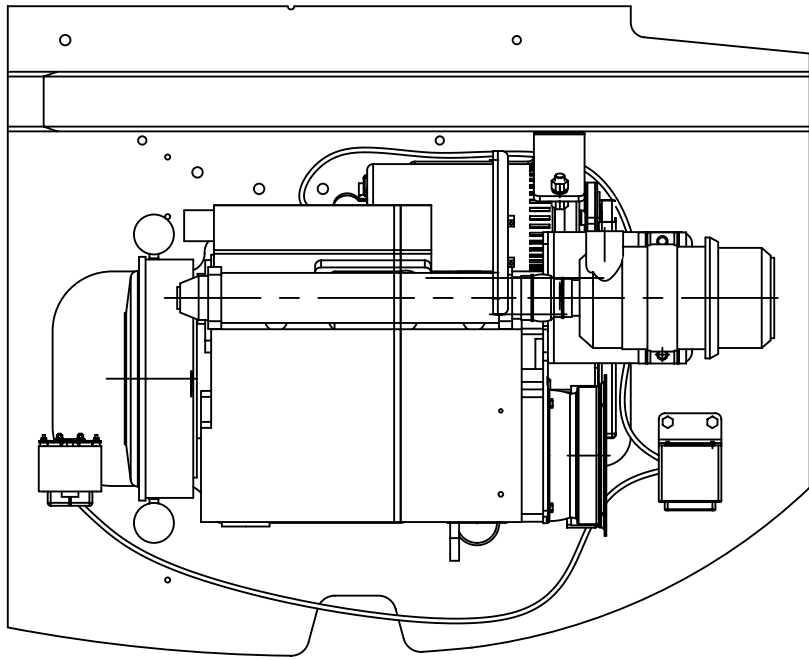
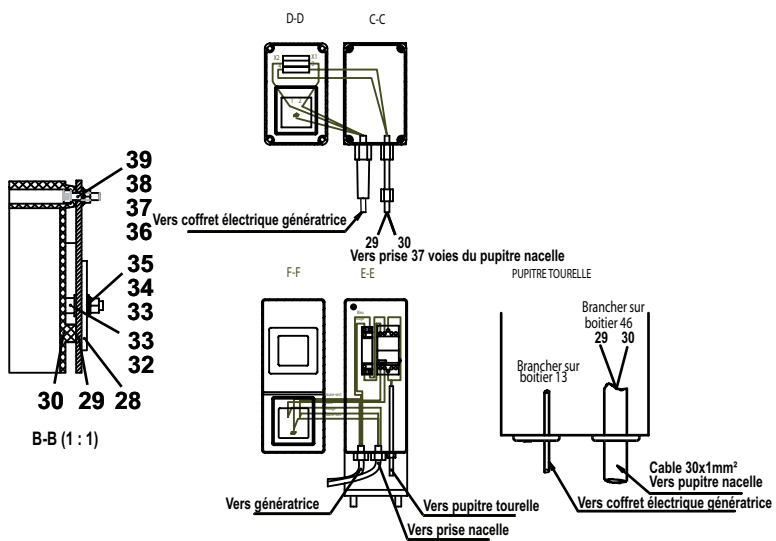
▲ MONTAGE GÉNÉRATRICE
MOUNTING OF POWER SUPPLY UNIT

E5
1/2

| Rep. | Désignation | Designation | Specification | Qty | Code | Up to / jusqu'à |
|------|-----------------------|------------------|------------------------|-----|------------|-----------------|
| 1 | TOURELLE | TURRET | | 1 | 157B172060 | |
| 2 | KIT MOTEUR | MOTOR KIT | S020025 | 1 | 2324000060 | |
| 3 | SUPPORT FILTRE | FILTER SUPPORT | | 1 | 157B172300 | |
| 4 | RONDELLE ÉLASTIQUE | RUBBER WASHER | W 8 ZB | 4 | 2351201070 | |
| 5 | VIS | SCREW | H M8X25-25 CL.8.8 ZB | 2 | 2331231430 | |
| 6 | RONDELLE PLATE | FLAT WASHER | M 8 ZB | 2 | 2351112070 | |
| 7 | VIS | SCREW | H M8X35-22 CL.8.8 ZB | 2 | 2301231660 | |
| 8 | ECROU | NUT | H M8 CL. 8 ZB | 2 | 2341221070 | |
| 9 | CAPOT DE PROTECTION | PROTECTIVE COVER | | 1 | 157P213890 | |
| 10 | TÔLE DE FERMETURE | CLOSING SHEET | | 1 | 157B171770 | |
| 11 | KIT GÉNÉRATRICE | POWER SUPPLY KIT | | 1 | 157P213930 | |
| 12 | RONDELLE PLATE | FLAT WASHER | LL 12 ZB | 2 | 2351124110 | |
| 13 | RONDELLE ÉLASTIQUE | RUBBER WASHER | W 12 ZB | 1 | 2351201100 | |
| 14 | VIS | SCREW | H M12X100-30 CL.8.8 ZB | 1 | 2301232050 | |
| 15 | RONDELLE PLATE | FLAT WASHER | L 14 ZB | 1 | 2351123120 | |
| 16 | RONDELLE ÉLASTIQUE | RUBBER WASHER | W 14 ZB | 1 | 2351201110 | |
| 17 | VIS | SCREW | H M14X35-35 CL.8.8 ZB | 2 | 2331232030 | |
| 18 | RONDELLE PLATE | FLAT WASHER | L 10 ZB | 1 | 2351113090 | |
| 19 | RONDELLE ÉLASTIQUE | RUBBER WASHER | W 10 ZB | 4 | 2351201090 | |
| 20 | VIS | SCREW | H M10X30-26 CL.8.8 ZB | 2 | 2301231760 | |
| 21 | VIS | SCREW | H M10X25-25 CL.8.8 ZB | 2 | 2331231560 | |
| 22 | COURROIE TRAPÉZOÏDALE | VEE BELT | SPA REF 13-10-950 | 1 | 2326000320 | |
| 23 | CARTER DE COURROIE | BELT COVER | | 1 | 157P213900 | |
| 24 | RONDELLE PLATE | FLAT WASHER | M 6 ZB | 3 | 2351112050 | |
| 25 | VIS | SCREW | H M6X20-20 CL.8.8 ZB | 3 | 2331231330 | |
| 26 | RONDELLE ÉLASTIQUE | RUBBER WASHER | W 6 ZB | 3 | 2351201050 | |



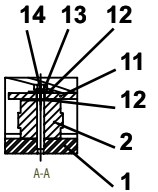
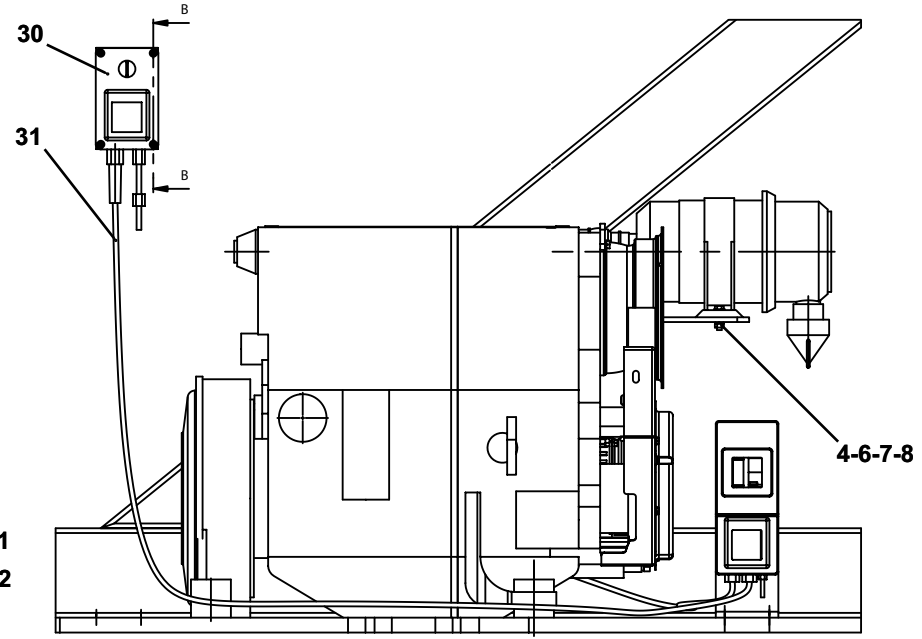
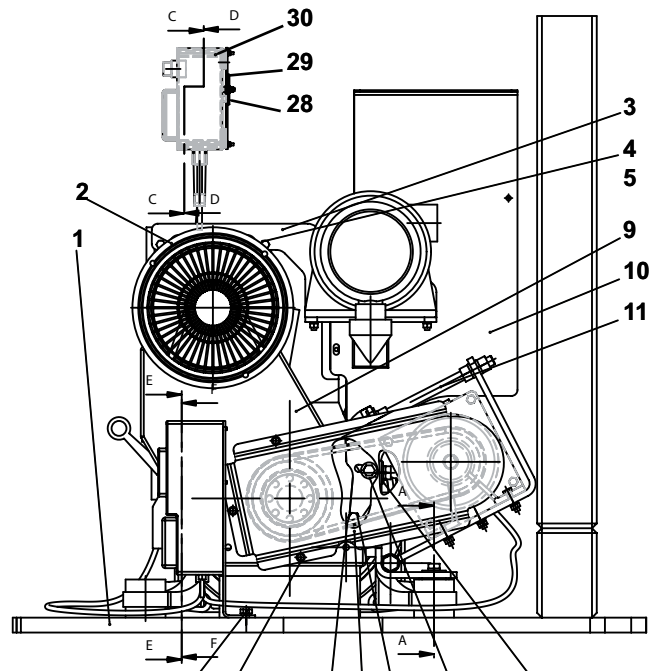
19-21 24-25-26-27 22 23 19-20 18-19-20 15-16-17



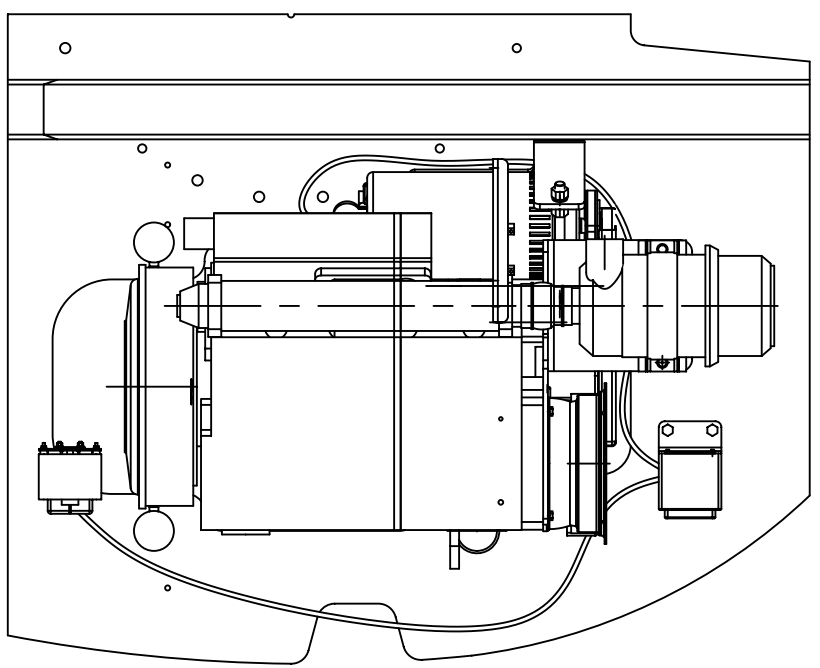
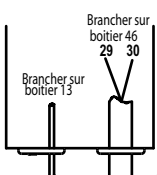
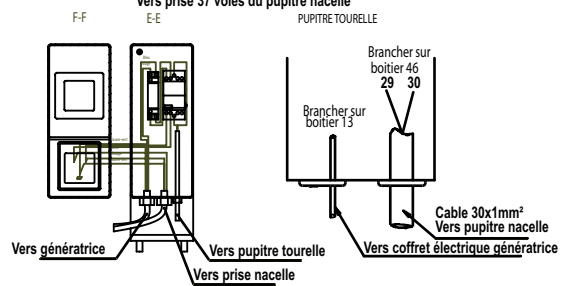
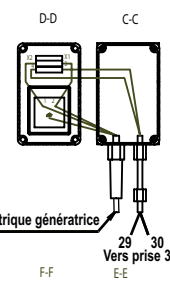
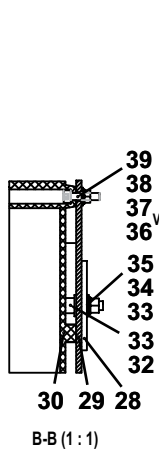
▲ **MONTAGE GÉNÉRATRICE**

MOUNTING OF POWER SUPPLY UNIT

| Rep. | Désignation | Designation | Specification | Qty | Code | Up to / jusqu'à |
|------|-------------------------|-------------------|------------------------|-----|------------|-----------------|
| 27 | ECROU | NUT | H M6 CL. 8 ZB | 3 | 2341221050 | |
| 29 | PLAQUE FIXATION BOITIER | BOX FIXING PLATE | | 1 | 152C167240 | |
| 30 | BOÎTIER | BOX | FR - GB - D - USA | 1 | 152B165570 | |
| 31 | PRISE | PLUG SOCKET | 2P+T-13A ANGLAISE | 1 | 2441605070 | |
| 32 | CÂBLE | CABLE | 2.5MM² | 1 | 2440315790 | |
| 33 | VIS | SCREW | CHC M5X16-16 CL.8,8 ZB | 2 | 2308231310 | |
| 34 | RONDELLE PLATE | FLAT WASHER | M 5 ZB | 4 | 2351112040 | |
| 35 | RONDELLE À DENTS | TOOTH LOCK WASHER | DEC 5 ZB | 2 | 2351301060 | |
| 36 | ECROU | NUT | H M5 CL. 8 ZB | 2 | 2341221040 | |
| 37 | VIS | SCREW | CHC M4X16-16 CL.8,8 ZB | 4 | 2308231180 | |
| 38 | RONDELLE PLATE | FLAT WASHER | M 4 ZB | 4 | 2351112030 | |
| 39 | RONDELLE À DENTS | TOOTH LOCK WASHER | DEC 4 ZB | 4 | 2351301050 | |
| 40 | ECROU | NUT | H M4 CL. 8 ZB | 4 | 2341221030 | |
| | | | | | | |
| | | | | | | |
| | | | | | | |
| | | | | | | |
| | | | | | | |
| | | | | | | |
| | | | | | | |
| | | | | | | |
| | | | | | | |
| | | | | | | |
| | | | | | | |
| | | | | | | |
| | | | | | | |
| | | | | | | |



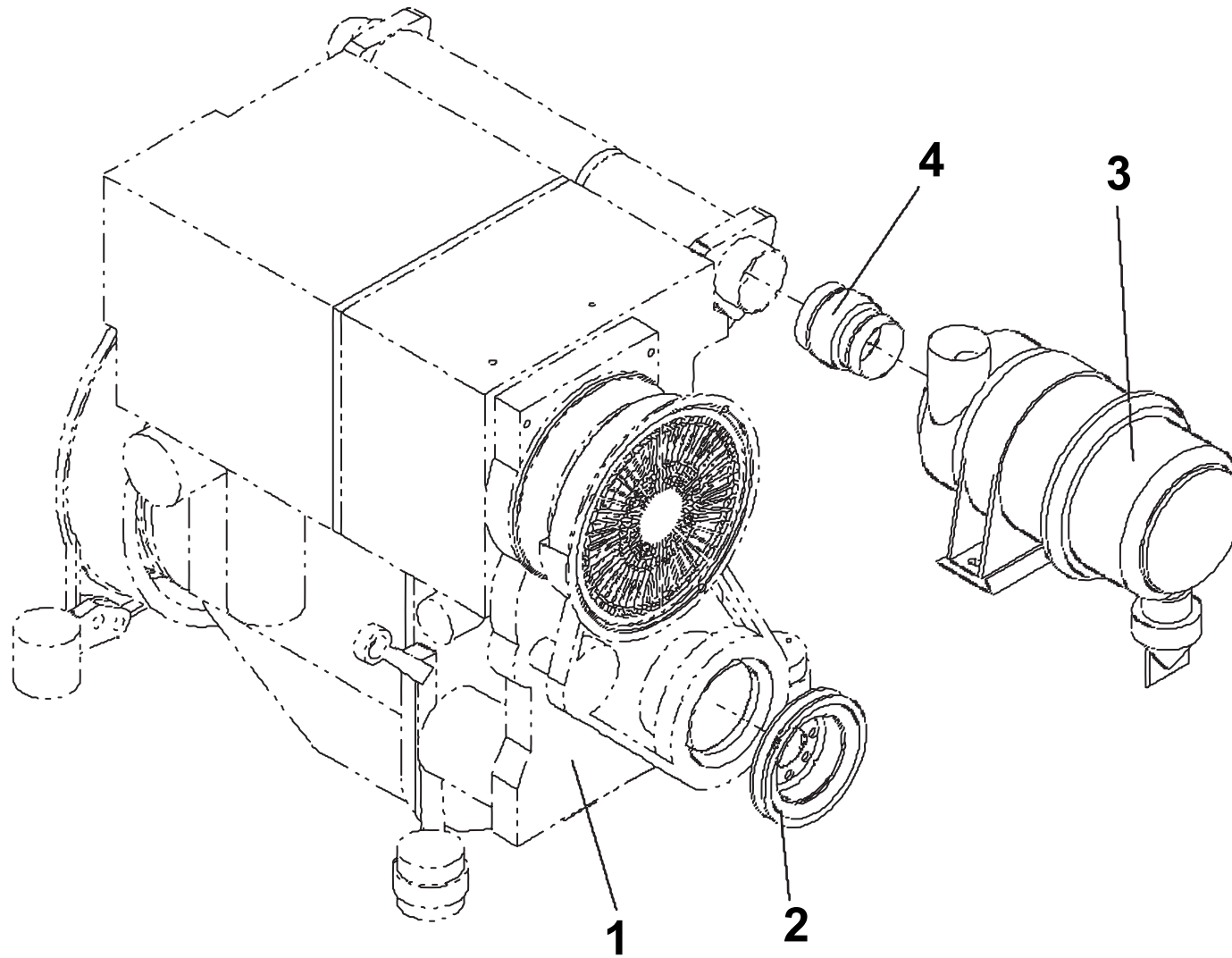
19-21 24-25-26-27 22 23 19-20 18-19-20 15-16-17



157A150700.B

▲ **KIT MOTEUR**
MOTOR KIT

| Rep. | Désignation | Designation | Specification | Qty | Code | Up to / jusqu'à |
|------|----------------|-----------------|----------------------|-----|------------|-----------------|
| 1 | MOTEUR DEUTZ | DEUTZ MOTOR | REF F04L2011 - S5627 | 1 | 2431141360 | |
| 2 | POULIE 1 GORGE | PULLEY 1 GROOVE | DEUTZ | 1 | 2324000040 | |
| 3 | FILTRE À AIR | AIR FILTER | DEUTZ | 1 | 2324000050 | |
| 4 | MANCHON | SLEEVE | DEUTZ | 1 | 2324000030 | |
| | | | | | | |
| | | | | | | |
| | | | | | | |
| | | | | | | |
| | | | | | | |
| | | | | | | |
| | | | | | | |
| | | | | | | |
| | | | | | | |
| | | | | | | |
| | | | | | | |
| | | | | | | |
| | | | | | | |
| | | | | | | |
| | | | | | | |
| | | | | | | |
| | | | | | | |
| | | | | | | |
| | | | | | | |
| | | | | | | |
| | | | | | | |
| | | | | | | |
| | | | | | | |
| | | | | | | |
| | | | | | | |
| | | | | | | |
| | | | | | | |
| | | | | | | |
| | | | | | | |
| | | | | | | |
| | | | | | | |
| | | | | | | |
| | | | | | | |
| | | | | | | |
| | | | | | | |
| | | | | | | |

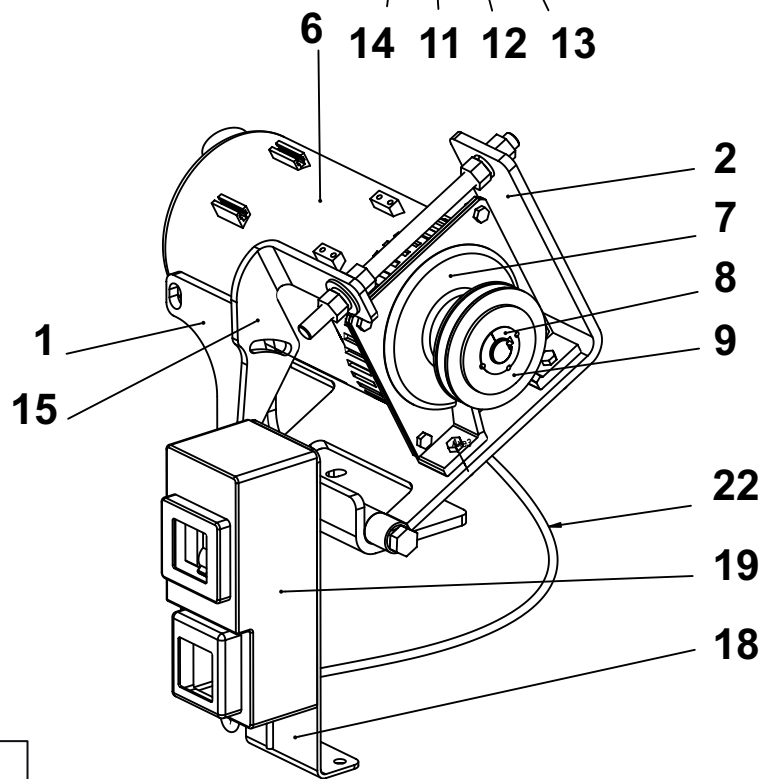
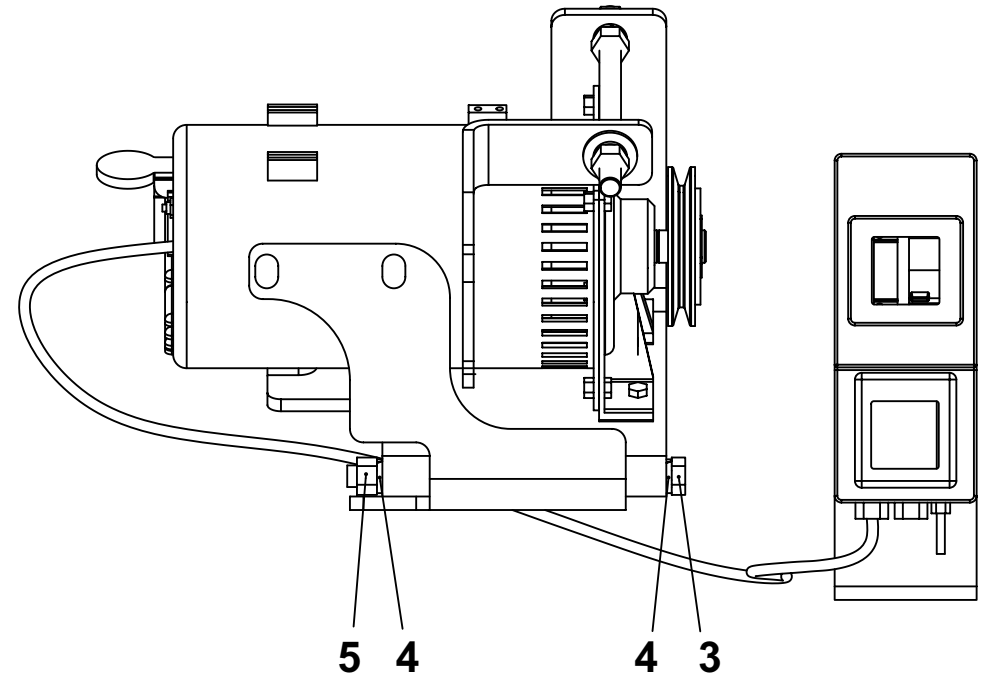
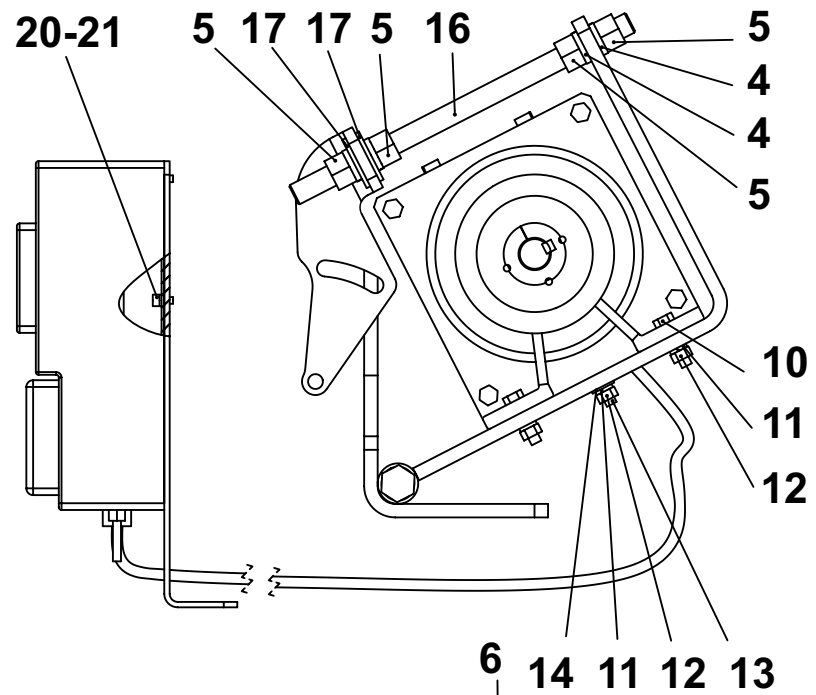


2324000060.D

**▲ KIT GÉNÉRATRICE
MOUNTING OF POWER SUPPLY UNIT**

◀ **E5-11** ▶

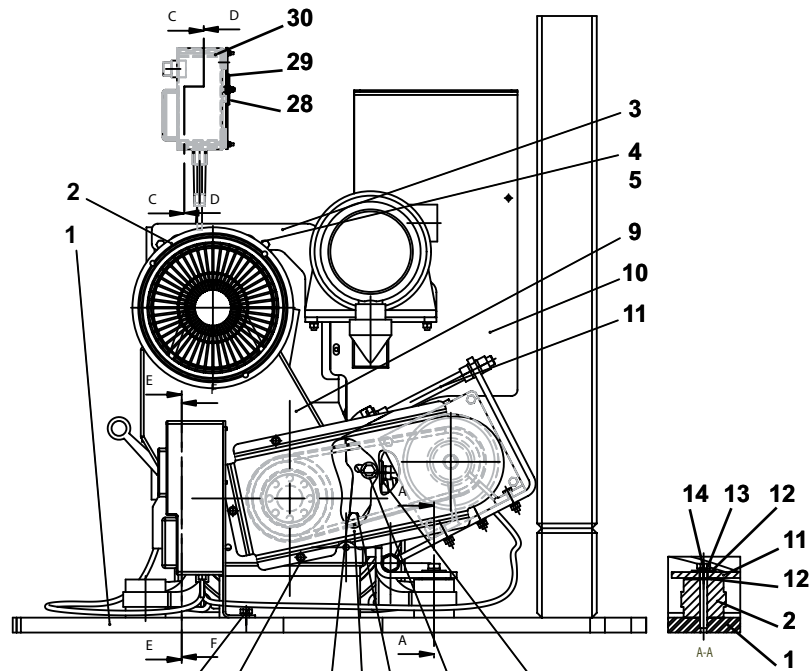
| Rep. | Désignation | Designation | Specification | Qty | Code | Up to / jusqu'à |
|------|--------------------------|------------------------------|------------------------|-----|------------|-----------------|
| 1 | SUPPORT GÉNÉRATRICE MÉCA | MECHANICAL GENERATOR SUPPORT | | 1 | 157P213610 | |
| 2 | SUPPORT GÉNÉRATRICE MÉCA | MECHANICAL GENERATOR SUPPORT | | 1 | 157P213600 | |
| 3 | VIS | SCREW | H M16X240-57 CL.8.8 ZB | 1 | 2700100220 | |
| 4 | RONDELLE ÉLASTIQUE | RUBBER WASHER | W 16 ZB | 6 | 2351201120 | |
| 5 | ECROU | NUT | H M16 CL. 8 ZB | 5 | 2341221110 | |
| 6 | GÉNÉRATRICE | GENERATOR | 220V-AR1-130 4.1KVA | 1 | 2440705230 | |
| 7 | GÉNÉRATRICE | GENERATOR | KIT B9/B14 | 1 | 2421101980 | |
| 8 | MOYEU CONIQUE AMOVIBLE | DETACHABLE CONICAL HUB | Ø24 | 1 | 2421303590 | |
| 9 | POULIE 1 GORGE | PULLEY 1 GROOVE | SPA Ø112 | 1 | 2421609530 | |
| 10 | VIS | SCREW | H M8X35-22 CL.8.8 ZB | 2 | 2301231660 | |
| 11 | RONDELLE ÉLASTIQUE | RUBBER WASHER | W 8 ZB | 3 | 2351201070 | |
| 12 | ECROU | NUT | H M8 CL. 8 ZB | 3 | 2341221070 | |
| 13 | VIS | SCREW | H M8X30-22 CL.8.8 ZB | 1 | 2301231650 | |
| 14 | RONDELLE PLATE | FLAT WASHER | M 8 ZB | 1 | 2351112070 | |
| 15 | TENDEUR DE COURROIE | BELT ADJUSTER | | 1 | 157P213620 | |
| 16 | TIGE FILETÉE | THREADED ROD | M16 LONGUEUR 280 | 1 | 157P213630 | |
| 17 | RONDELLE PLATE | FLAT WASHER | L 16 ZB | 2 | 2351123130 | |
| 18 | SUPPORT COFFRET ÉLECTRIQ | ELECTRICITY CUPBOARD SUPPORT | | 1 | 157P214390 | |
| 19 | COFFRET ÉLECTRIQUE | ELECTRIC BOX | | 1 | 157C176990 | |
| 20 | VIS | SCREW | CHC M5X10-10 CL.8,8 ZB | 2 | 2308231290 | |
| 21 | RONDELLE ÉLASTIQUE | RUBBER WASHER | W 5 ZB | 2 | 2351201040 | |
| 22 | CÂBLE | CABLE | 2.5MM ² | 1 | 2440315790 | |
| | | | | | | |
| | | | | | | |
| | | | | | | |
| | | | | | | |



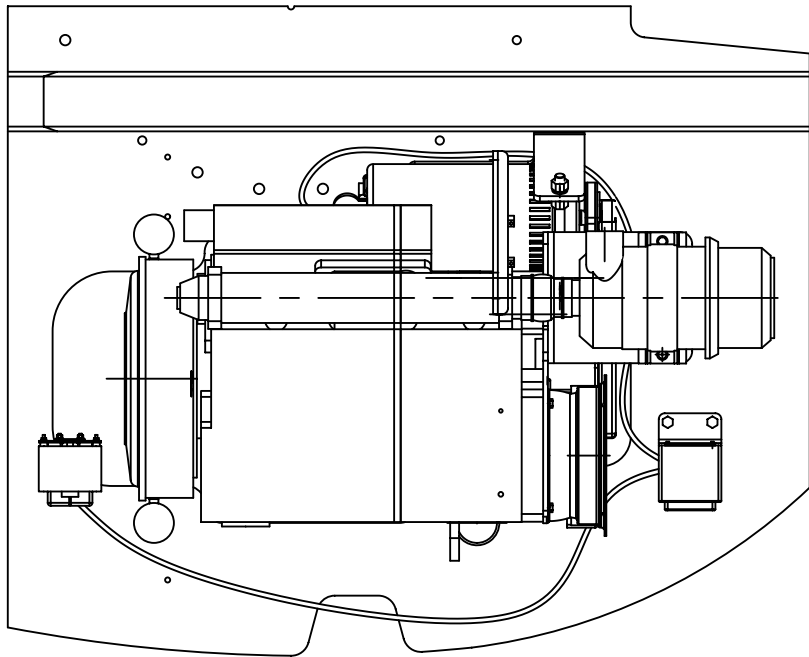
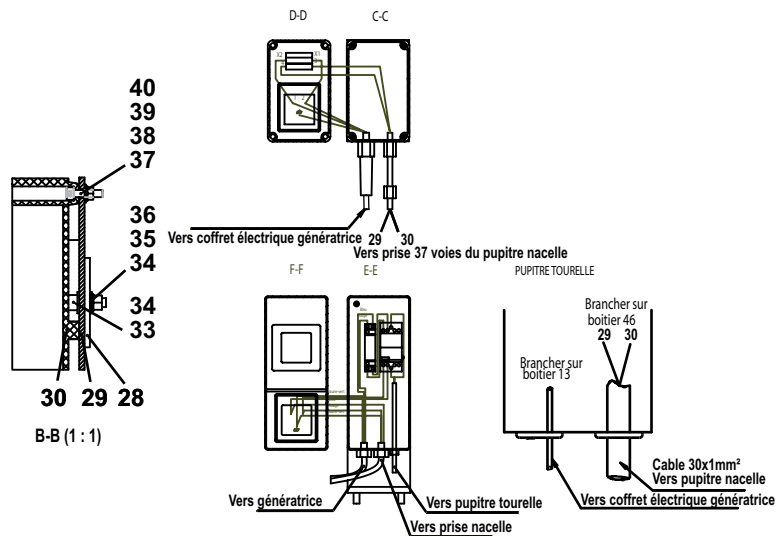
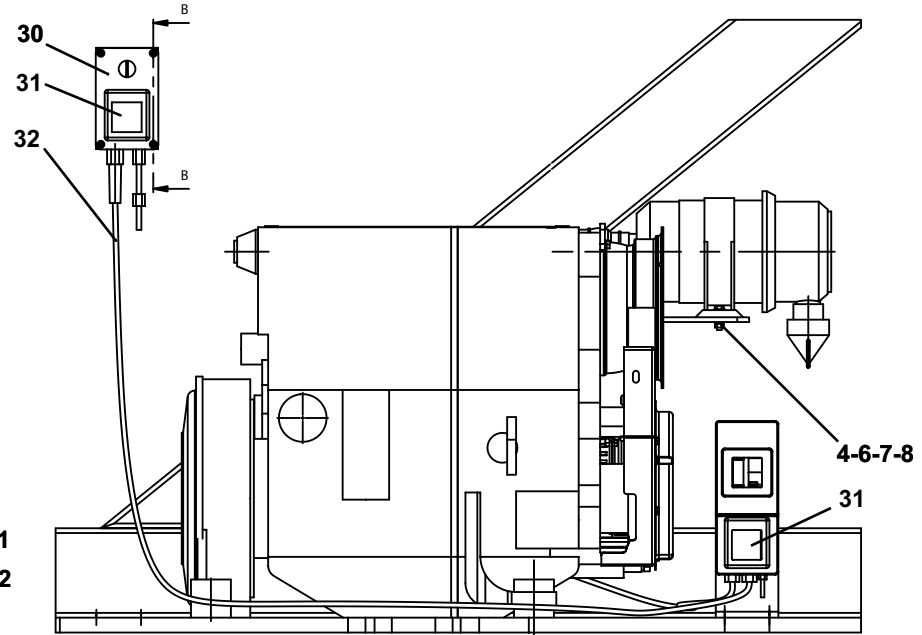
157P213930B

▲ MONTAGE GÉNÉRATRICE
MOUNTING OF POWER SUPPLY UNIT

| Rep. | Désignation | Designation | Specification | Qty | Code | Up to / jusqu'à |
|------|-----------------------|------------------|------------------------|-----|------------|-----------------|
| 1 | TOURELLE | TURRET | | 1 | 157B172060 | |
| 2 | KIT MOTEUR | MOTOR KIT | S020025 | 1 | 2324000060 | |
| 3 | SUPPORT FILTRE | FILTER SUPPORT | | 1 | 157B172300 | |
| 4 | RONDELLE ÉLASTIQUE | RUBBER WASHER | W 8 ZB | 4 | 2351201070 | |
| 5 | VIS | SCREW | H M8X25-25 CL.8.8 ZB | 2 | 2331231430 | |
| 6 | RONDELLE PLATE | FLAT WASHER | M 8 ZB | 2 | 2351112070 | |
| 7 | VIS | SCREW | H M8X35-22 CL.8.8 ZB | 2 | 2301231660 | |
| 8 | ECROU | NUT | H M8 CL. 8 ZB | 2 | 2341221070 | |
| 9 | CAPOT DE PROTECTION | PROTECTIVE COVER | | 1 | 157P213890 | |
| 10 | TÔLE DE FERMETURE | CLOSING SHEET | | 1 | 157B171770 | |
| 11 | KIT GÉNÉRATRICE | POWER SUPPLY KIT | | 1 | 157P213930 | |
| 12 | RONDELLE PLATE | FLAT WASHER | LL 12 ZB | 2 | 2351124110 | |
| 13 | RONDELLE ÉLASTIQUE | RUBBER WASHER | W 12 ZB | 1 | 2351201100 | |
| 14 | VIS | SCREW | H M12X100-30 CL.8.8 ZB | 1 | 2301232050 | |
| 15 | RONDELLE PLATE | FLAT WASHER | L 14 ZB | 1 | 2351123120 | |
| 16 | RONDELLE ÉLASTIQUE | RUBBER WASHER | W 14 ZB | 1 | 2351201110 | |
| 17 | VIS | SCREW | H M14X35-35 CL.8.8 ZB | 2 | 2331232030 | |
| 18 | RONDELLE PLATE | FLAT WASHER | L 10 ZB | 1 | 2351113090 | |
| 19 | RONDELLE ÉLASTIQUE | RUBBER WASHER | W 10 ZB | 4 | 2351201090 | |
| 20 | VIS | SCREW | H M10X30-26 CL.8.8 ZB | 2 | 2301231760 | |
| 21 | VIS | SCREW | H M10X25-25 CL.8.8 ZB | 2 | 2331231560 | |
| 22 | COURROIE TRAPÉZOÏDALE | VEE BELT | SPA REF 13-10-950 | 1 | 2326000320 | |
| 23 | CARTER DE COURROIE | BELT COVER | | 1 | 157P213900 | |
| 24 | RONDELLE PLATE | FLAT WASHER | M 6 ZB | 3 | 2351112050 | |
| 25 | VIS | SCREW | H M6X20-20 CL.8.8 ZB | 3 | 2331231330 | |
| 26 | RONDELLE ÉLASTIQUE | RUBBER WASHER | W 6 ZB | 3 | 2351201050 | |

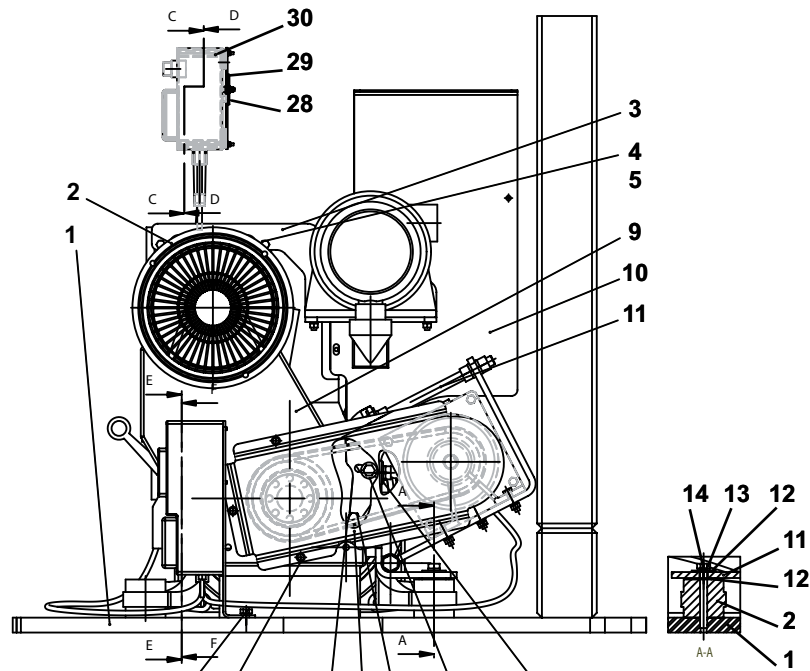


19-21 24-25-26-27 22 23 19-20 18-19-20 15-16-17

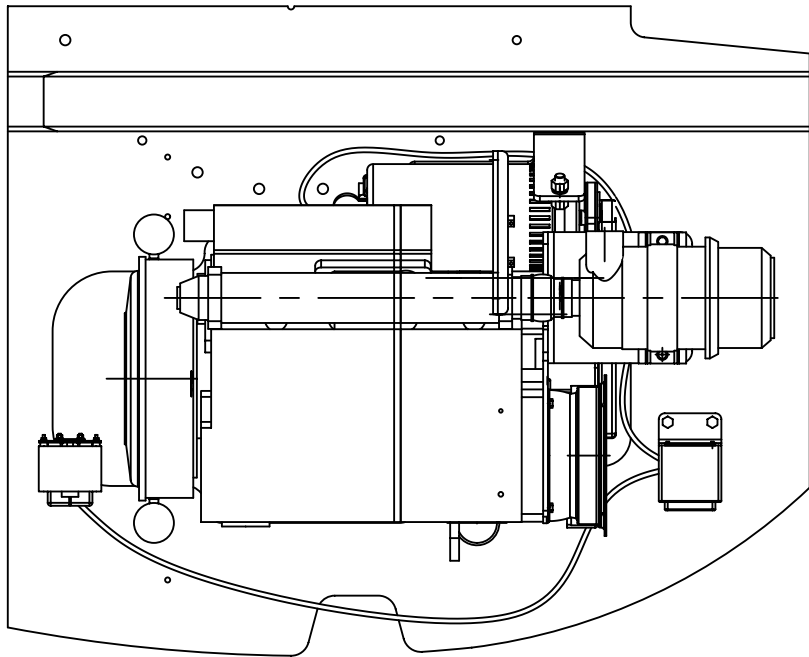
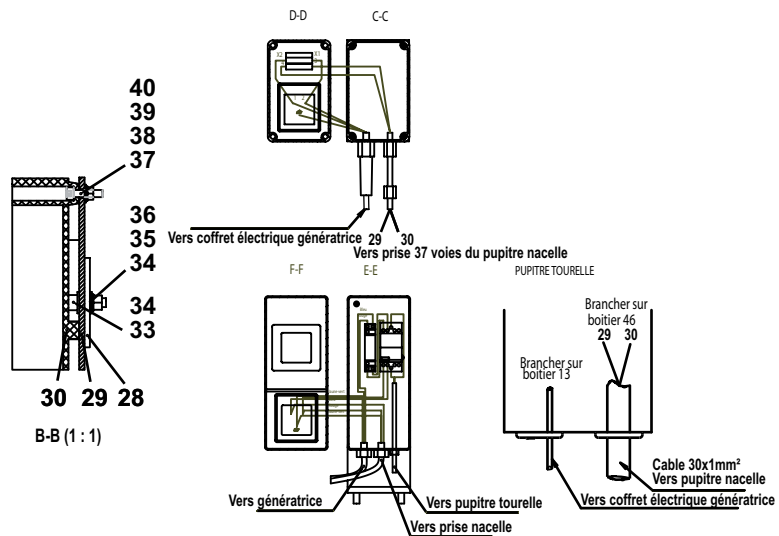
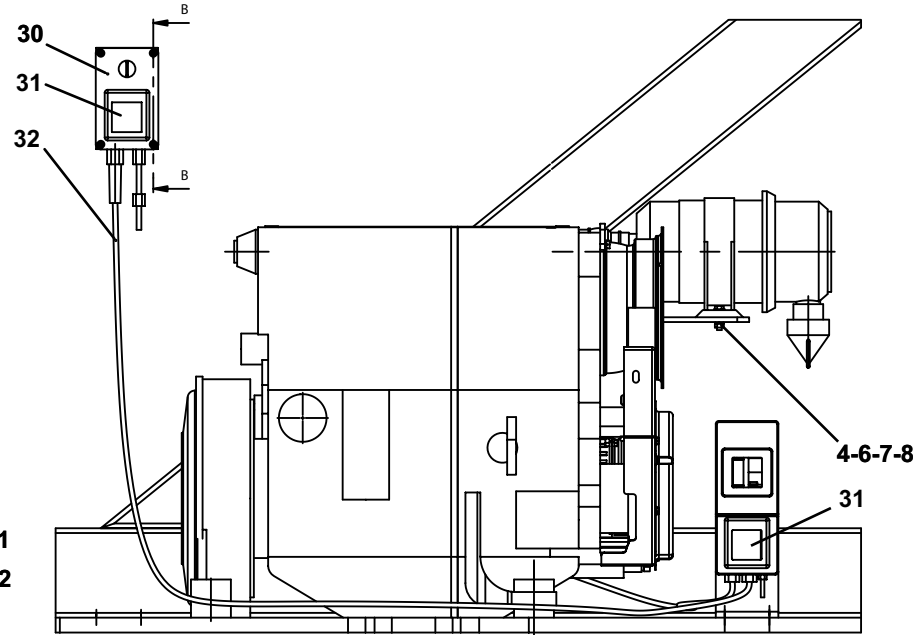


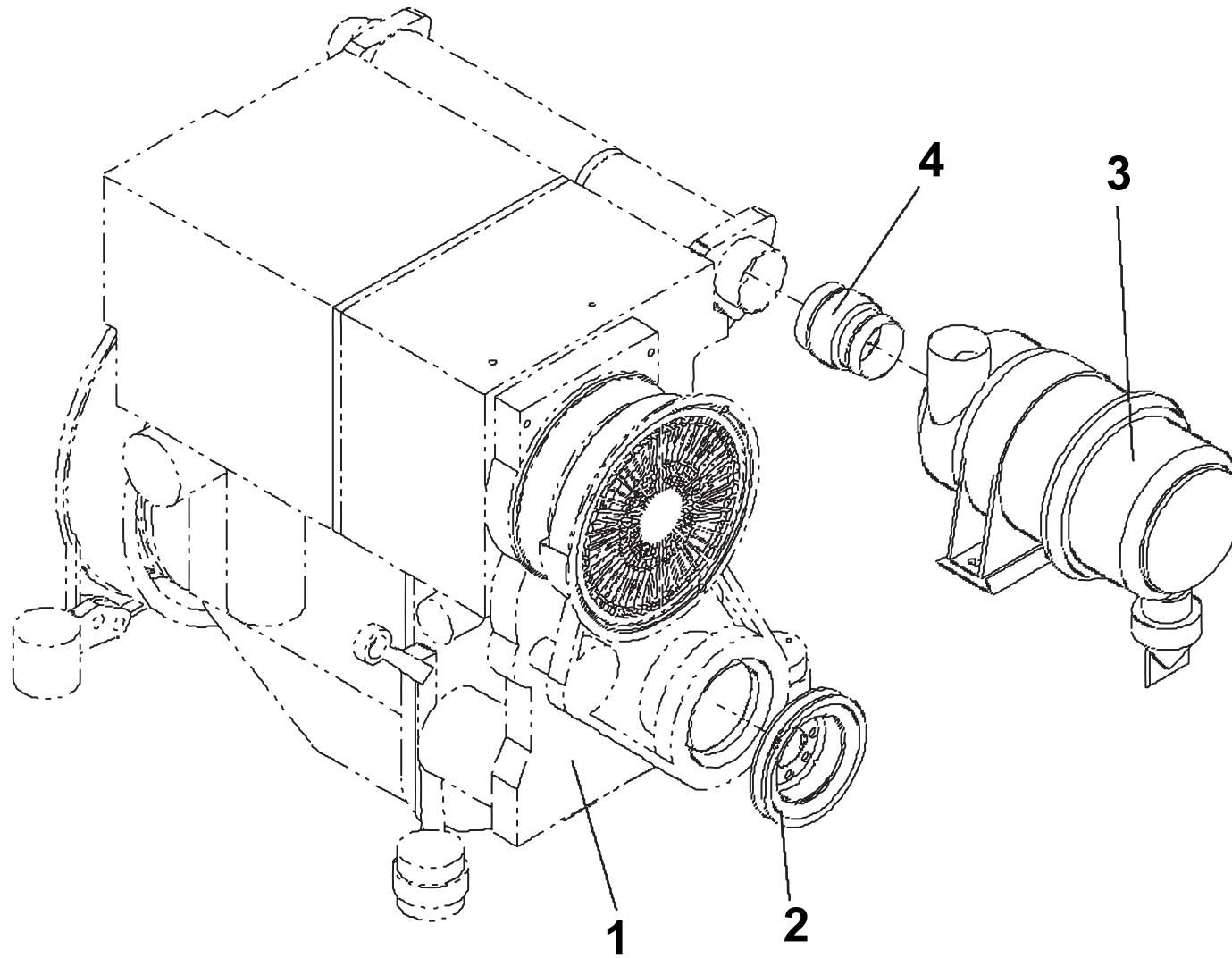
▲ MONTAGE GÉNÉRATRICE
MOUNTING OF POWER SUPPLY UNIT

| Rep. | Désignation | Designation | Specification | Qty | Code | Up to / jusqu'à |
|------|-------------------------|-------------------|------------------------|-----|------------|-----------------|
| 27 | ECROU | NUT | H M6 CL. 8 ZB | 3 | 2341221050 | |
| 29 | PLAQUE FIXATION BOITIER | BOX FIXING PLATE | | 1 | 152C167240 | |
| 30 | BOÎTIER | BOX | FR - GB - D - USA | 1 | 152B165570 | |
| 31 | PRISE | PLUG SOCKET | 2P+T-16A SHUKO | 1 | 2441605060 | |
| 32 | CÂBLE | CABLE | 2.5MM² | 1 | 2440315790 | |
| 33 | VIS | SCREW | CHC M5X16-16 CL.8,8 ZB | 2 | 2308231310 | |
| 34 | RONDELLE PLATE | FLAT WASHER | M 5 ZB | 4 | 2351112040 | |
| 35 | RONDELLE À DENTS | TOOTH LOCK WASHER | DEC 5 ZB | 2 | 2351301060 | |
| 36 | ECROU | NUT | H M5 CL. 8 ZB | 2 | 2341221040 | |
| 37 | VIS | SCREW | CHC M4X16-16 CL.8,8 ZB | 4 | 2308231180 | |
| 38 | RONDELLE PLATE | FLAT WASHER | M 4 ZB | 4 | 2351112030 | |
| 39 | RONDELLE À DENTS | TOOTH LOCK WASHER | DEC 4 ZB | 4 | 2351301050 | |
| 40 | ECROU | NUT | H M4 CL. 8 ZB | 4 | 2341221030 | |
| | | | | | | |
| | | | | | | |
| | | | | | | |
| | | | | | | |
| | | | | | | |
| | | | | | | |
| | | | | | | |
| | | | | | | |
| | | | | | | |
| | | | | | | |
| | | | | | | |
| | | | | | | |
| | | | | | | |



19-21 24-25-26-27 22 23 19-20 18-19-20 15-16-17



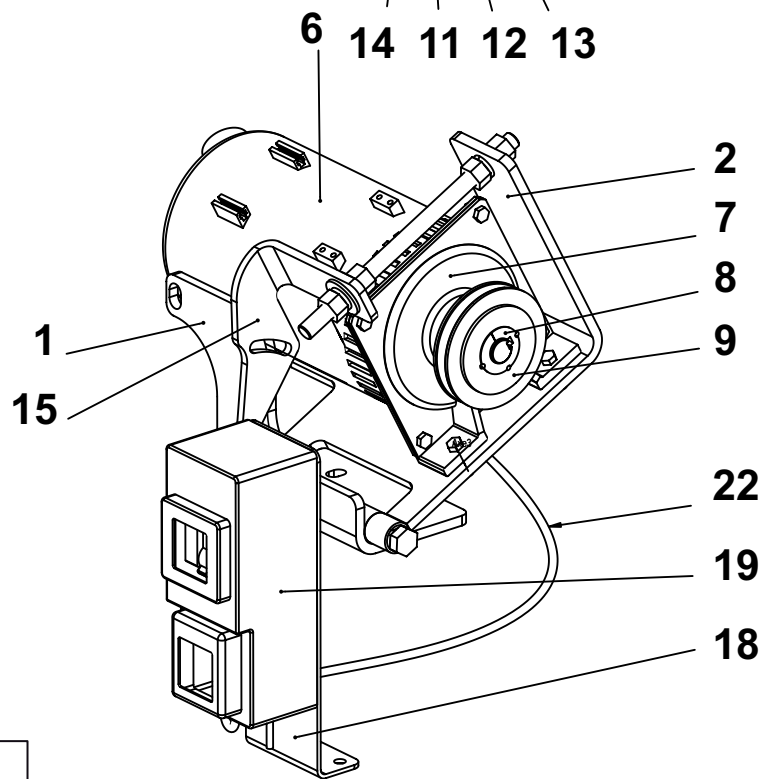
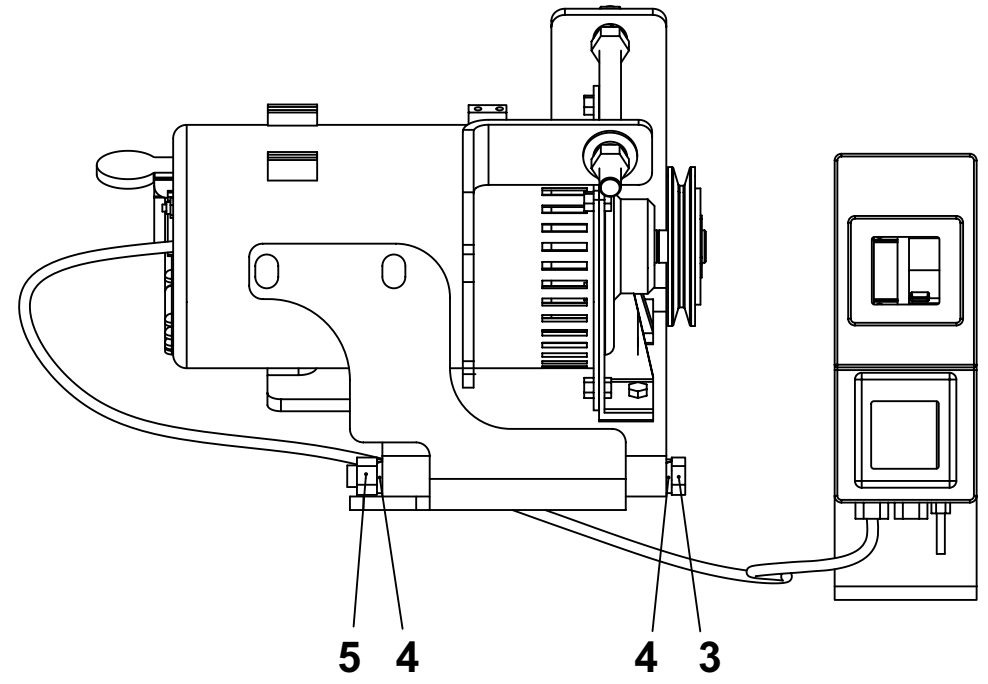
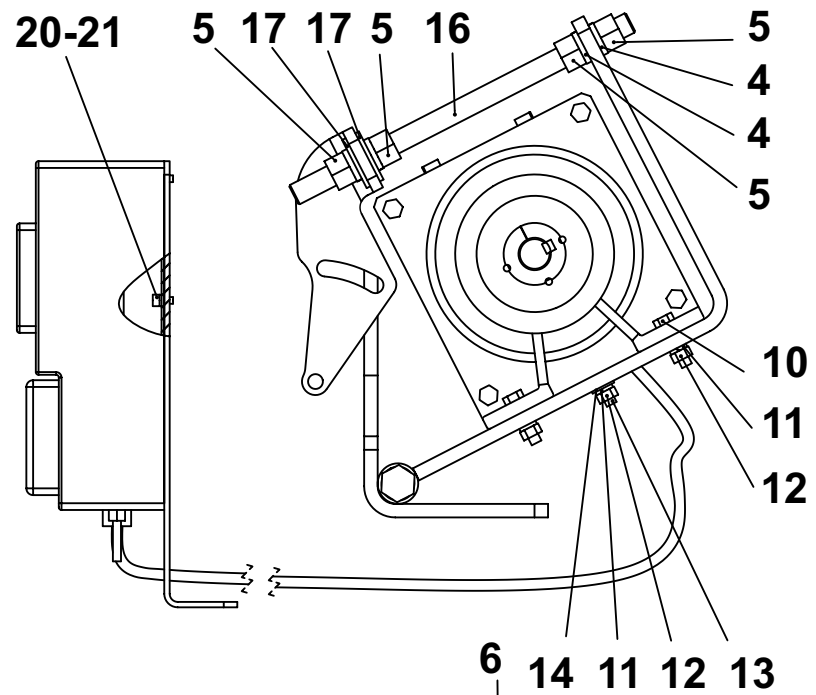


2324000060.D

**▲ KIT GÉNÉRATRICE
MOUNTING OF POWER SUPPLY UNIT**

◀ **E6-11** ▶

| Rep. | Désignation | Designation | Specification | Qty | Code | Up to / jusqu'à |
|------|--------------------------|------------------------------|------------------------|-----|------------|-----------------|
| 1 | SUPPORT GÉNÉRATRICE MÉCA | MECHANICAL GENERATOR SUPPORT | | 1 | 157P213610 | |
| 2 | SUPPORT GÉNÉRATRICE MÉCA | MECHANICAL GENERATOR SUPPORT | | 1 | 157P213600 | |
| 3 | VIS | SCREW | H M16X240-57 CL.8.8 ZB | 1 | 2700100220 | |
| 4 | RONDELLE ÉLASTIQUE | RUBBER WASHER | W 16 ZB | 6 | 2351201120 | |
| 5 | ECROU | NUT | H M16 CL. 8 ZB | 5 | 2341221110 | |
| 6 | GÉNÉRATRICE | GENERATOR | 220V-AR1-130 4.1KVA | 1 | 2440705230 | |
| 7 | GÉNÉRATRICE | GENERATOR | KIT B9/B14 | 1 | 2421101980 | |
| 8 | MOYEU CONIQUE AMOVIBLE | DETACHABLE CONICAL HUB | Ø24 | 1 | 2421303590 | |
| 9 | POULIE 1 GORGE | PULLEY 1 GROOVE | SPA Ø112 | 1 | 2421609530 | |
| 10 | VIS | SCREW | H M8X35-22 CL.8.8 ZB | 2 | 2301231660 | |
| 11 | RONDELLE ÉLASTIQUE | RUBBER WASHER | W 8 ZB | 3 | 2351201070 | |
| 12 | ECROU | NUT | H M8 CL. 8 ZB | 3 | 2341221070 | |
| 13 | VIS | SCREW | H M8X30-22 CL.8.8 ZB | 1 | 2301231650 | |
| 14 | RONDELLE PLATE | FLAT WASHER | M 8 ZB | 1 | 2351112070 | |
| 15 | TENDEUR DE COURROIE | BELT ADJUSTER | | 1 | 157P213620 | |
| 16 | TIGE FILETÉE | THREADED ROD | M16 LONGUEUR 280 | 1 | 157P213630 | |
| 17 | RONDELLE PLATE | FLAT WASHER | L 16 ZB | 2 | 2351123130 | |
| 18 | SUPPORT COFFRET ÉLECTRIQ | ELECTRICITY CUPBOARD SUPPORT | | 1 | 157P214390 | |
| 19 | COFFRET ÉLECTRIQUE | ELECTRIC BOX | | 1 | 157C176990 | |
| 20 | VIS | SCREW | CHC M5X10-10 CL.8,8 ZB | 2 | 2308231290 | |
| 21 | RONDELLE ÉLASTIQUE | RUBBER WASHER | W 5 ZB | 2 | 2351201040 | |
| 22 | CÂBLE | CABLE | 2.5MM ² | 1 | 2440315790 | |
| | | | | | | |
| | | | | | | |
| | | | | | | |
| | | | | | | |

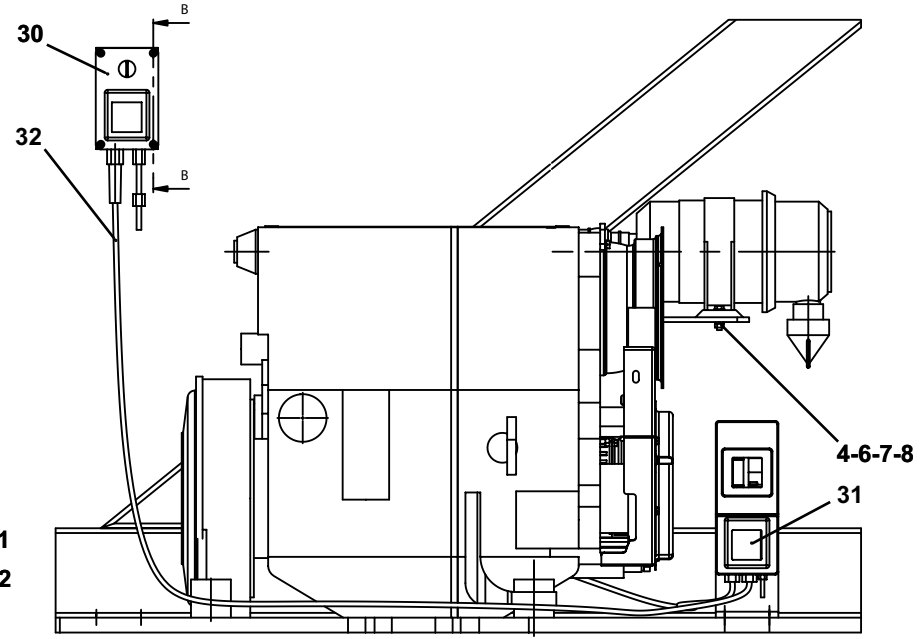
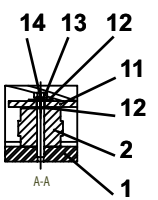
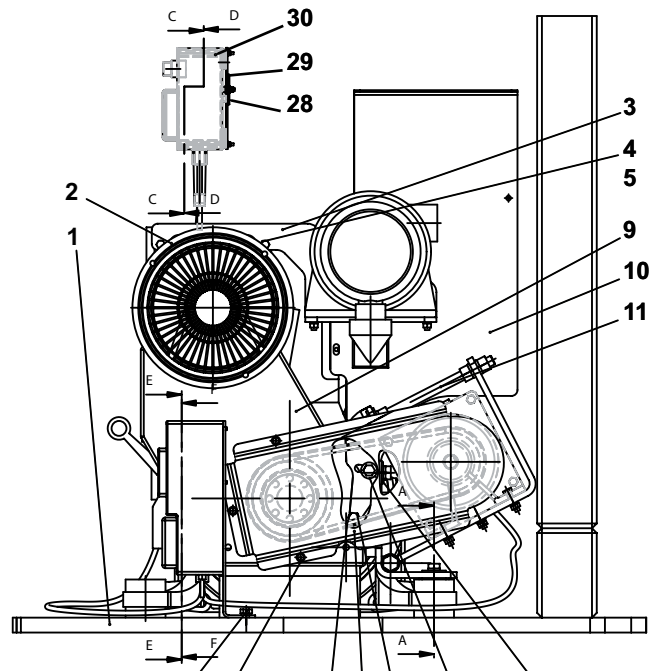


157P213930B

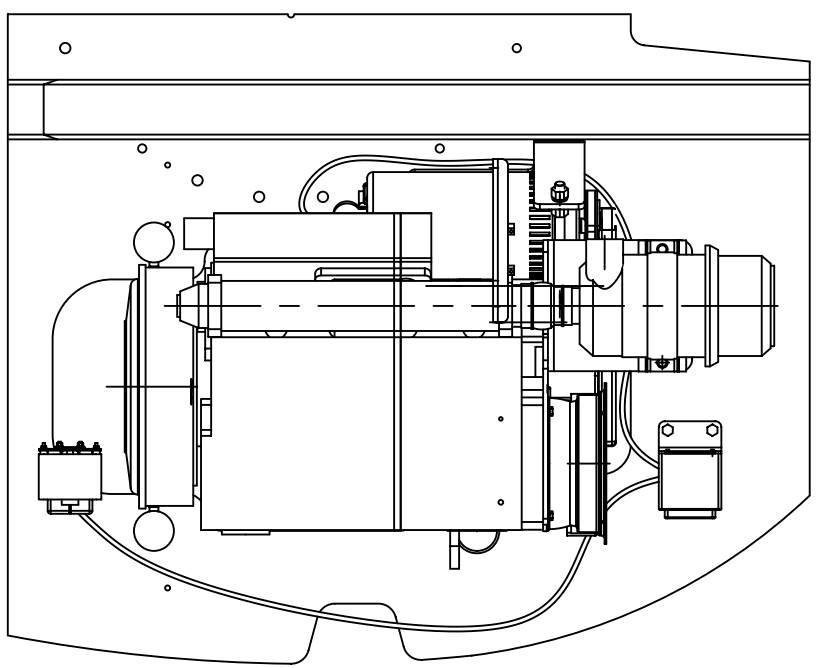
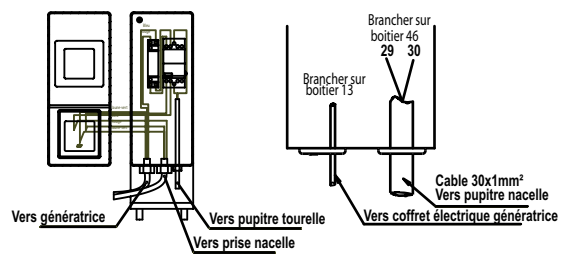
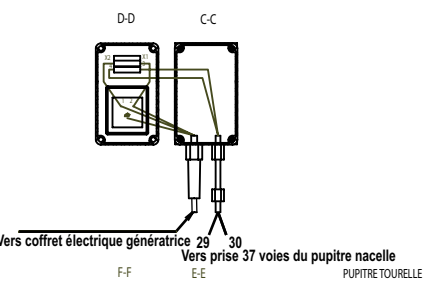
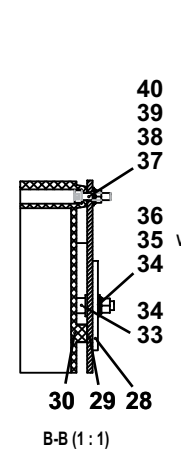
▲ MONTAGE GÉNÉRATRICE
MOUNTING OF POWER SUPPLY UNIT

◀ **E7** ▶
1/2

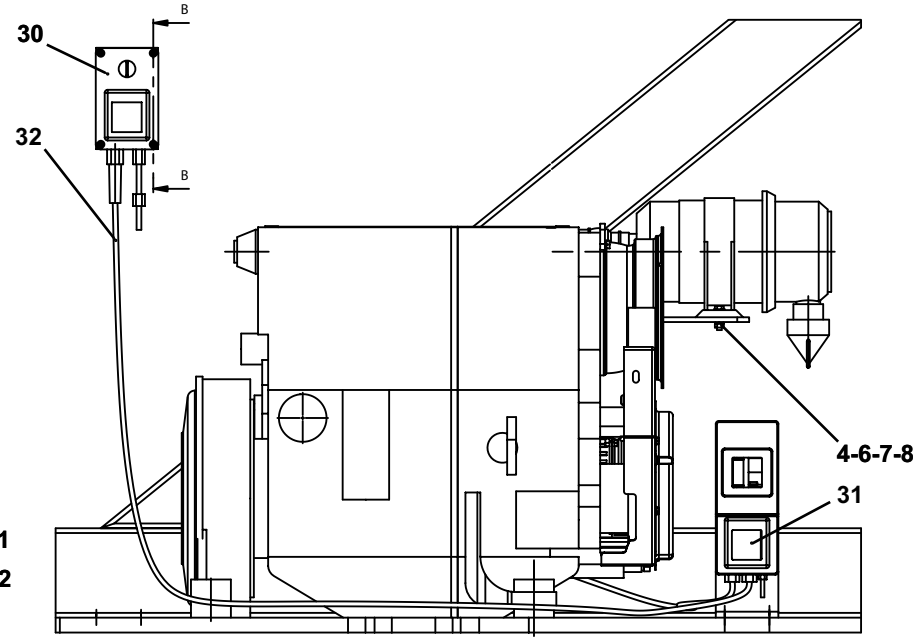
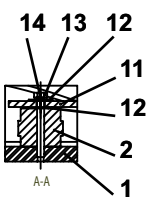
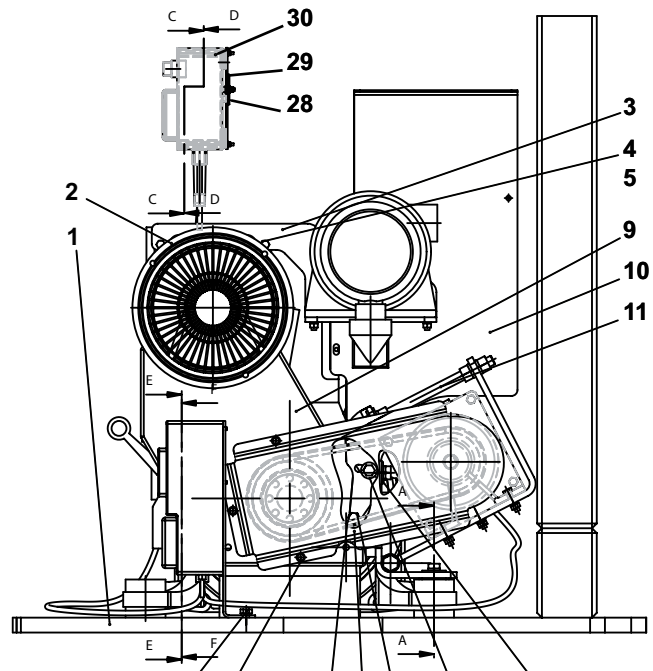
| Rep. | Désignation | Designation | Specification | Qty | Code | Up to / jusqu'à |
|------|-----------------------|------------------|------------------------|-----|------------|-----------------|
| 1 | TOURELLE | TURRET | | 1 | 157B172060 | |
| 2 | KIT MOTEUR | MOTOR KIT | S020025 | 1 | 2324000060 | |
| 3 | SUPPORT FILTRE | FILTER SUPPORT | | 1 | 157B172300 | |
| 4 | RONDELLE ÉLASTIQUE | RUBBER WASHER | W 8 ZB | 4 | 2351201070 | |
| 5 | VIS | SCREW | H M8X25-25 CL.8.8 ZB | 2 | 2331231430 | |
| 6 | RONDELLE PLATE | FLAT WASHER | M 8 ZB | 2 | 2351112070 | |
| 7 | VIS | SCREW | H M8X35-22 CL.8.8 ZB | 2 | 2301231660 | |
| 8 | ECROU | NUT | H M8 CL. 8 ZB | 2 | 2341221070 | |
| 9 | CAPOT DE PROTECTION | PROTECTIVE COVER | | 1 | 157P213890 | |
| 10 | TÔLE DE FERMETURE | CLOSING SHEET | | 1 | 157B171770 | |
| 11 | KIT GÉNÉRATRICE | POWER SUPPLY KIT | | 1 | 157P213930 | |
| 12 | RONDELLE PLATE | FLAT WASHER | LL 12 ZB | 2 | 2351124110 | |
| 13 | RONDELLE ÉLASTIQUE | RUBBER WASHER | W 12 ZB | 1 | 2351201100 | |
| 14 | VIS | SCREW | H M12X100-30 CL.8.8 ZB | 1 | 2301232050 | |
| 15 | RONDELLE PLATE | FLAT WASHER | L 14 ZB | 2 | 2351123120 | |
| 16 | RONDELLE ÉLASTIQUE | RUBBER WASHER | W 14 ZB | 2 | 2351201110 | |
| 17 | VIS | SCREW | H M14X35-35 CL.8.8 ZB | 2 | 2331232030 | |
| 18 | RONDELLE PLATE | FLAT WASHER | L 10 ZB | 1 | 2351113090 | |
| 19 | RONDELLE ÉLASTIQUE | RUBBER WASHER | W 10 ZB | 4 | 2351201090 | |
| 20 | VIS | SCREW | H M10X30-26 CL.8.8 ZB | 2 | 2301231760 | |
| 21 | VIS | SCREW | H M10X25-25 CL.8.8 ZB | 2 | 2331231560 | |
| 22 | COURROIE TRAPÉZOÏDALE | VEE-BELT | SPA REF 13-10-950 | 1 | 2326000320 | |
| 23 | CARTER DE COURROIE | BELT COVER | | 1 | 157P213900 | |
| 24 | RONDELLE PLATE | FLAT WASHER | M 6 ZB | 3 | 2351112050 | |
| 25 | VIS | SCREW | H M6X20-20 CL.8.8 ZB | 3 | 2331231330 | |
| 26 | RONDELLE ÉLASTIQUE | RUBBER WASHER | W 6 ZB | 3 | 2351201050 | |



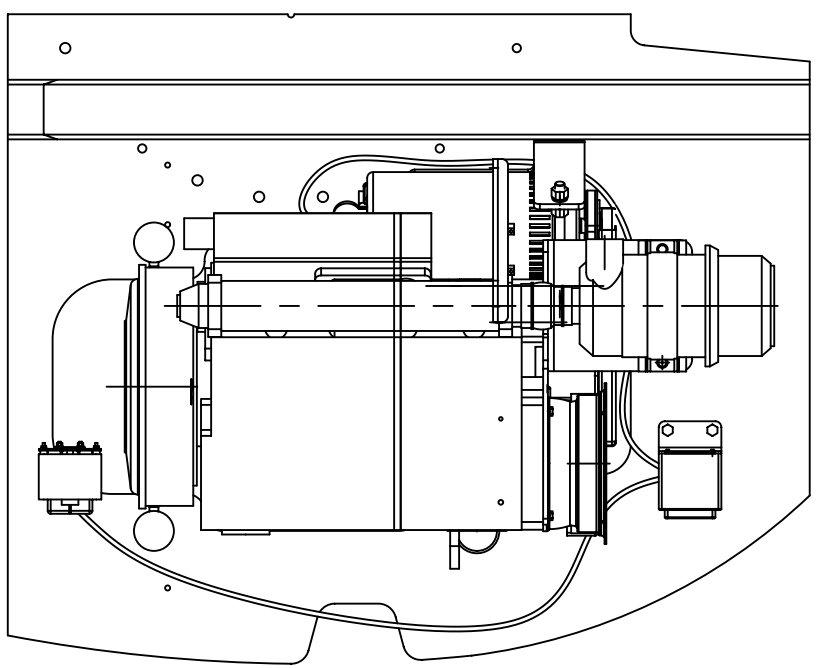
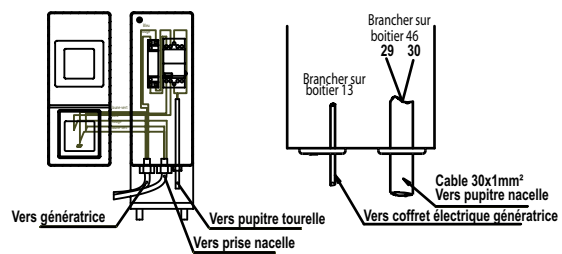
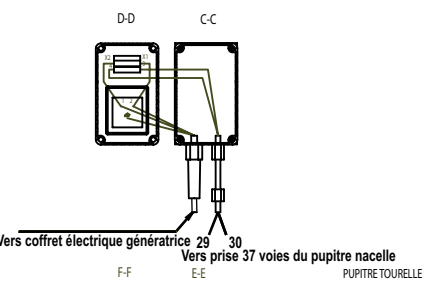
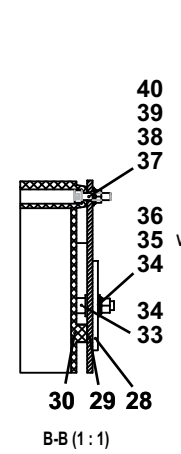
19-21 24-25-26-27 22 23 19-20 18-19-20 15-16-17



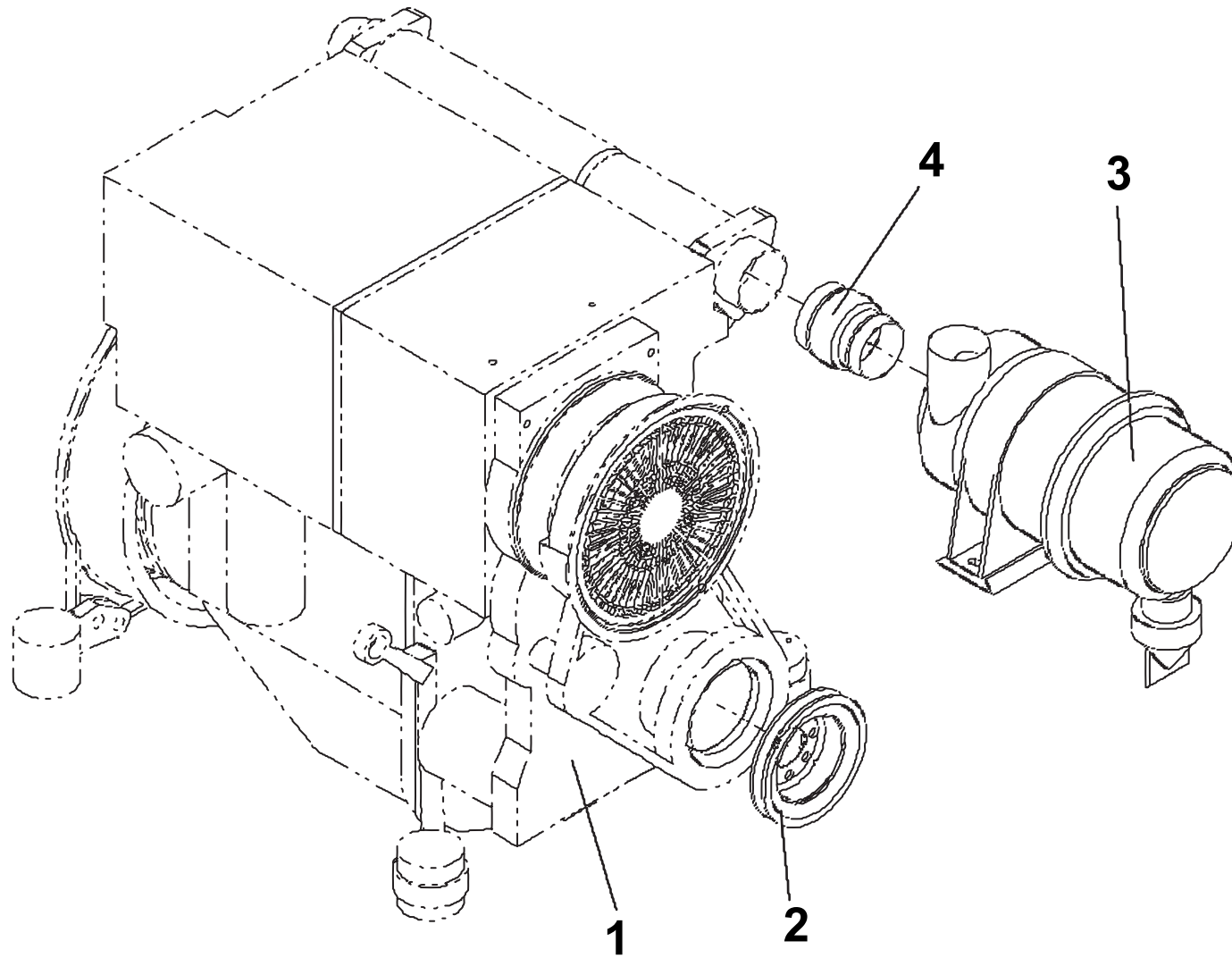
157A150720.B



19-21 24-25-26-27 22 23 19-20 18-19-20 15-16-17



157A150720.B

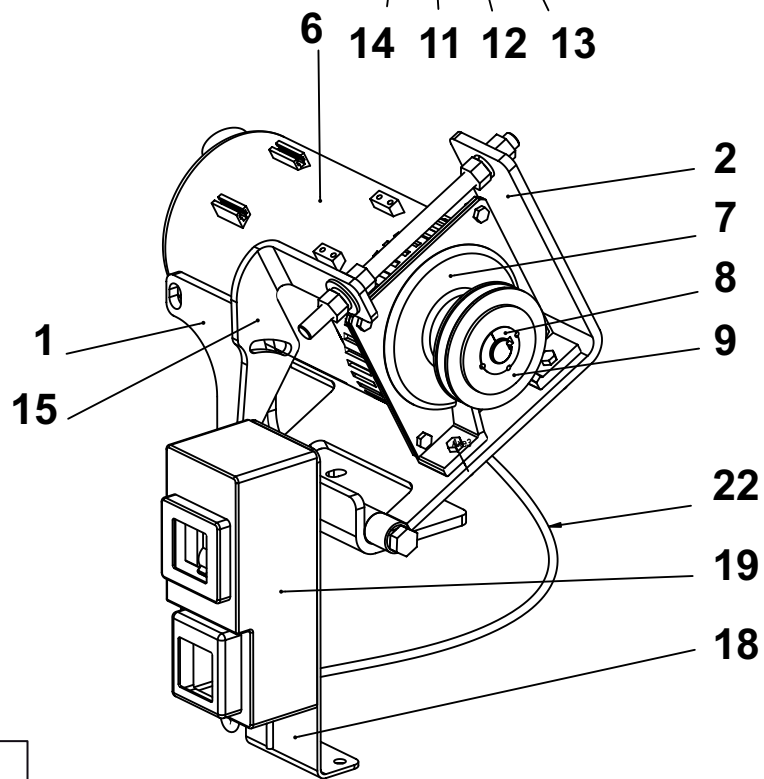
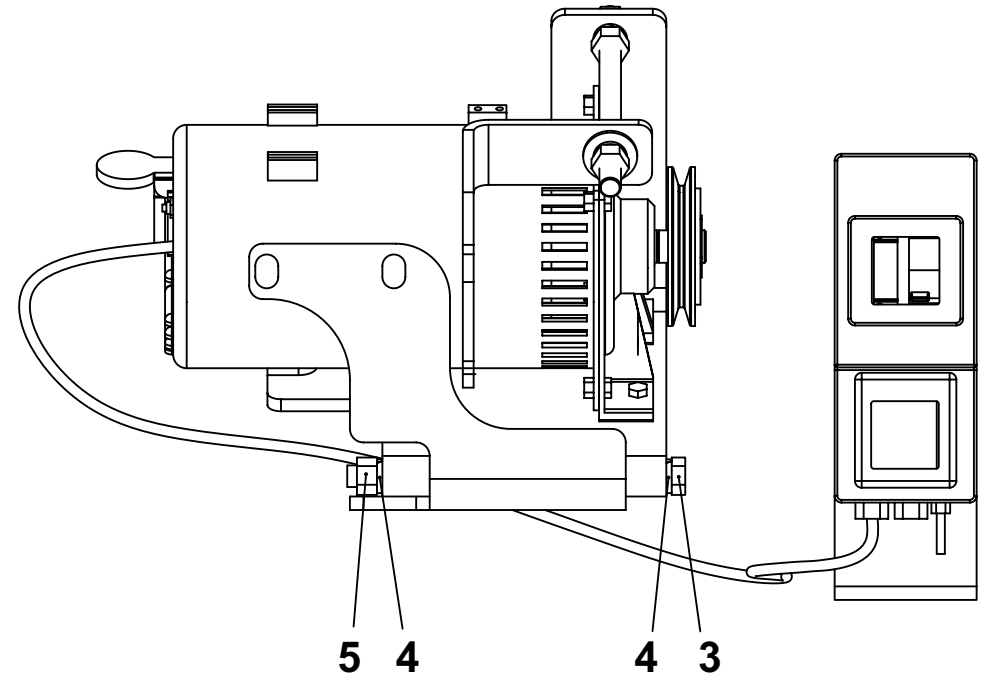
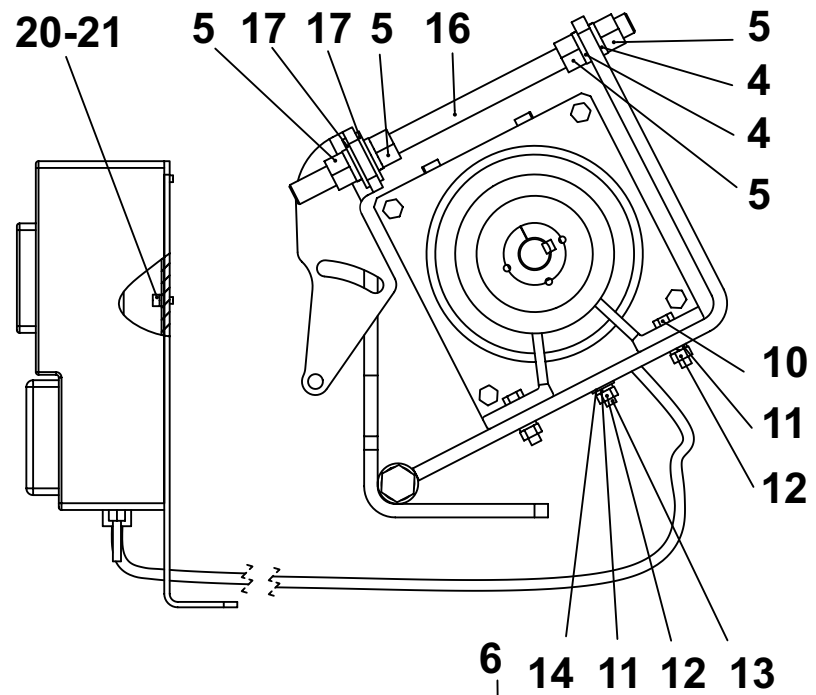


2324000060.D

**▲ KIT GÉNÉRATRICE
MOUNTING OF POWER SUPPLY UNIT**

◀ E7-11 ▶

| Rep. | Désignation | Designation | Specification | Qty | Code | Up to / jusqu'à |
|------|--------------------------|------------------------------|------------------------|-----|------------|-----------------|
| 1 | SUPPORT GÉNÉRATRICE MÉCA | MECHANICAL GENERATOR SUPPORT | | 1 | 157P213610 | |
| 2 | SUPPORT GÉNÉRATRICE MÉCA | MECHANICAL GENERATOR SUPPORT | | 1 | 157P213600 | |
| 3 | VIS | SCREW | H M16X240-57 CL.8.8 ZB | 1 | 2700100220 | |
| 4 | RONDELLE ÉLASTIQUE | RUBBER WASHER | W 16 ZB | 6 | 2351201120 | |
| 5 | ECROU | NUT | H M16 CL. 8 ZB | 5 | 2341221110 | |
| 6 | GÉNÉRATRICE | GENERATOR | 220V-AR1-130 4.1KVA | 1 | 2440705230 | |
| 7 | GÉNÉRATRICE | GENERATOR | KIT B9/B14 | 1 | 2421101980 | |
| 8 | MOYEU CONIQUE AMOVIBLE | DETACHABLE CONICAL HUB | Ø24 | 1 | 2421303590 | |
| 9 | POULIE 1 GORGE | PULLEY 1 GROOVE | SPA Ø112 | 1 | 2421609530 | |
| 10 | VIS | SCREW | H M8X35-22 CL.8.8 ZB | 2 | 2301231660 | |
| 11 | RONDELLE ÉLASTIQUE | RUBBER WASHER | W 8 ZB | 3 | 2351201070 | |
| 12 | ECROU | NUT | H M8 CL. 8 ZB | 3 | 2341221070 | |
| 13 | VIS | SCREW | H M8X30-22 CL.8.8 ZB | 1 | 2301231650 | |
| 14 | RONDELLE PLATE | FLAT WASHER | M 8 ZB | 1 | 2351112070 | |
| 15 | TENDEUR DE COURROIE | BELT ADJUSTER | | 1 | 157P213620 | |
| 16 | TIGE FILETÉE | THREADED ROD | M16 LONGUEUR 280 | 1 | 157P213630 | |
| 17 | RONDELLE PLATE | FLAT WASHER | L 16 ZB | 2 | 2351123130 | |
| 18 | SUPPORT COFFRET ÉLECTRIQ | ELECTRICITY CUPBOARD SUPPORT | | 1 | 157P214390 | |
| 19 | COFFRET ÉLECTRIQUE | ELECTRIC BOX | | 1 | 157C176990 | |
| 20 | VIS | SCREW | CHC M5X10-10 CL.8,8 ZB | 2 | 2308231290 | |
| 21 | RONDELLE ÉLASTIQUE | RUBBER WASHER | W 5 ZB | 2 | 2351201040 | |
| 22 | CÂBLE | CABLE | 2.5MM ² | 1 | 2440315790 | |
| | | | | | | |
| | | | | | | |
| | | | | | | |
| | | | | | | |

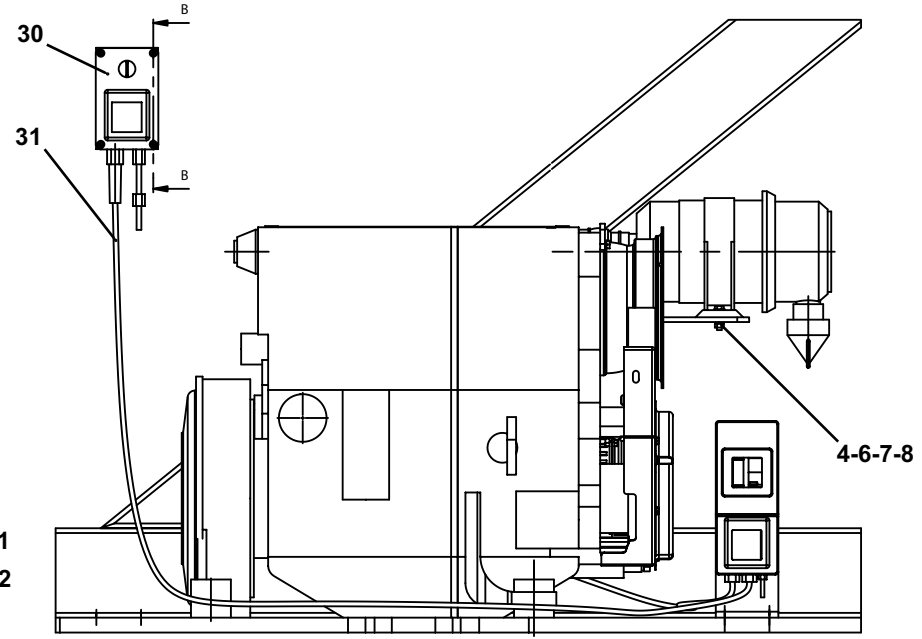
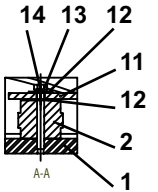
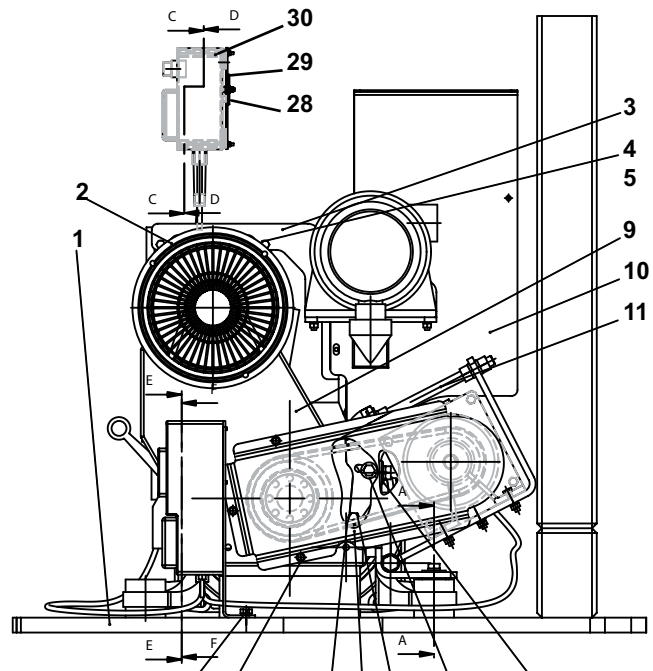


157P213930B

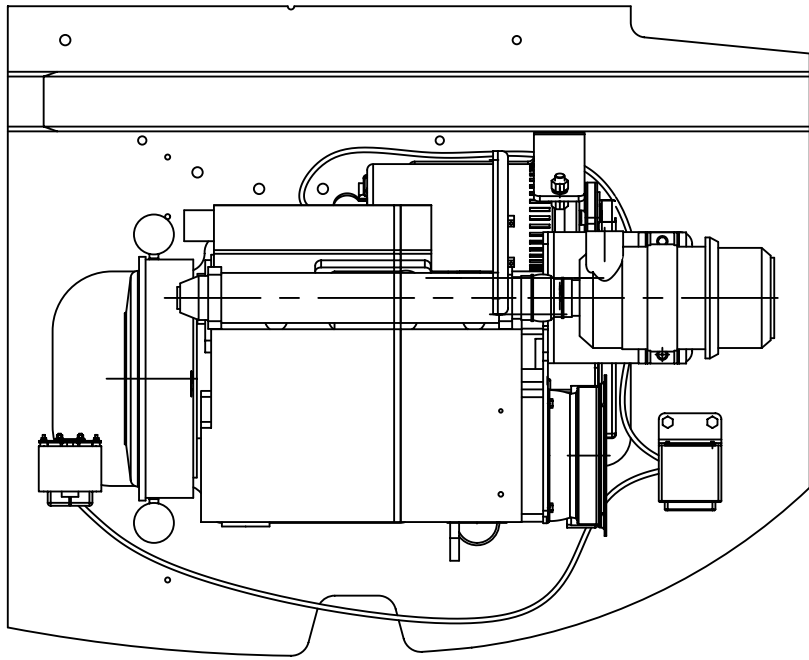
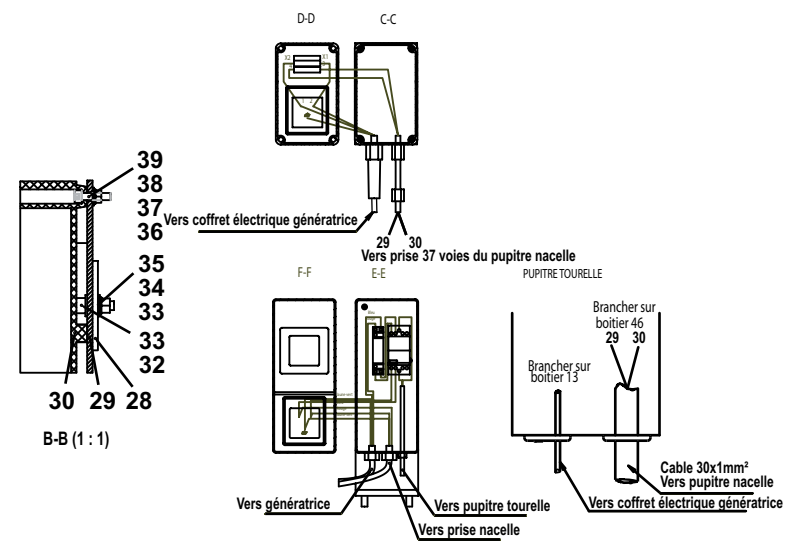
▲ MONTAGE GÉNÉRATRICE
MOUNTING OF POWER SUPPLY UNIT

E8
1/2

| Rep. | Désignation | Designation | Specification | Qty | Code | Up to / jusqu'à |
|------|-----------------------|------------------|------------------------|-----|------------|-----------------|
| 1 | TOURELLE | TURRET | | 1 | 157B172060 | |
| 2 | KIT MOTEUR | MOTOR KIT | S020025 | 1 | 2324000060 | |
| 3 | SUPPORT FILTRE | FILTER SUPPORT | | 1 | 157B172300 | |
| 4 | RONDELLE ÉLASTIQUE | RUBBER WASHER | W 8 ZB | 4 | 2351201070 | |
| 5 | VIS | SCREW | H M8X25-25 CL.8.8 ZB | 2 | 2331231430 | |
| 6 | RONDELLE PLATE | FLAT WASHER | M 8 ZB | 2 | 2351112070 | |
| 7 | VIS | SCREW | H M8X35-22 CL.8.8 ZB | 2 | 2301231660 | |
| 8 | ECROU | NUT | H M8 CL. 8 ZB | 2 | 2341221070 | |
| 9 | CAPOT DE PROTECTION | PROTECTIVE COVER | | 1 | 157P213890 | |
| 10 | TÔLE DE FERMETURE | CLOSING SHEET | | 1 | 157B171770 | |
| 11 | KIT GÉNÉRATRICE | POWER SUPPLY KIT | | 1 | 157P213930 | |
| 12 | RONDELLE PLATE | FLAT WASHER | LL 12 ZB | 2 | 2351124110 | |
| 13 | RONDELLE ÉLASTIQUE | RUBBER WASHER | W 12 ZB | 1 | 2351201100 | |
| 14 | VIS | SCREW | H M12X100-30 CL.8.8 ZB | 1 | 2301232050 | |
| 15 | RONDELLE PLATE | FLAT WASHER | L 14 ZB | 2 | 2351123120 | |
| 16 | RONDELLE ÉLASTIQUE | RUBBER WASHER | W 14 ZB | 2 | 2351201110 | |
| 17 | VIS | SCREW | H M14X35-35 CL.8.8 ZB | 2 | 2331232030 | |
| 18 | RONDELLE PLATE | FLAT WASHER | L 10 ZB | 1 | 2351113090 | |
| 19 | RONDELLE ÉLASTIQUE | RUBBER WASHER | W 10 ZB | 4 | 2351201090 | |
| 20 | VIS | SCREW | H M10X30-26 CL.8.8 ZB | 2 | 2301231760 | |
| 21 | VIS | SCREW | H M10X25-25 CL.8.8 ZB | 2 | 2331231560 | |
| 22 | COURROIE TRAPÉZOÏDALE | VEE BELT | SPA REF 13-10-950 | 1 | 2326000320 | |
| 23 | CARTER DE COURROIE | BELT COVER | | 1 | 157P213900 | |
| 24 | RONDELLE PLATE | FLAT WASHER | M 6 ZB | 3 | 2351112050 | |
| 25 | VIS | SCREW | H M6X20-20 CL.8.8 ZB | 3 | 2331231330 | |
| 26 | RONDELLE ÉLASTIQUE | RUBBER WASHER | W 6 ZB | 3 | 2351201050 | |



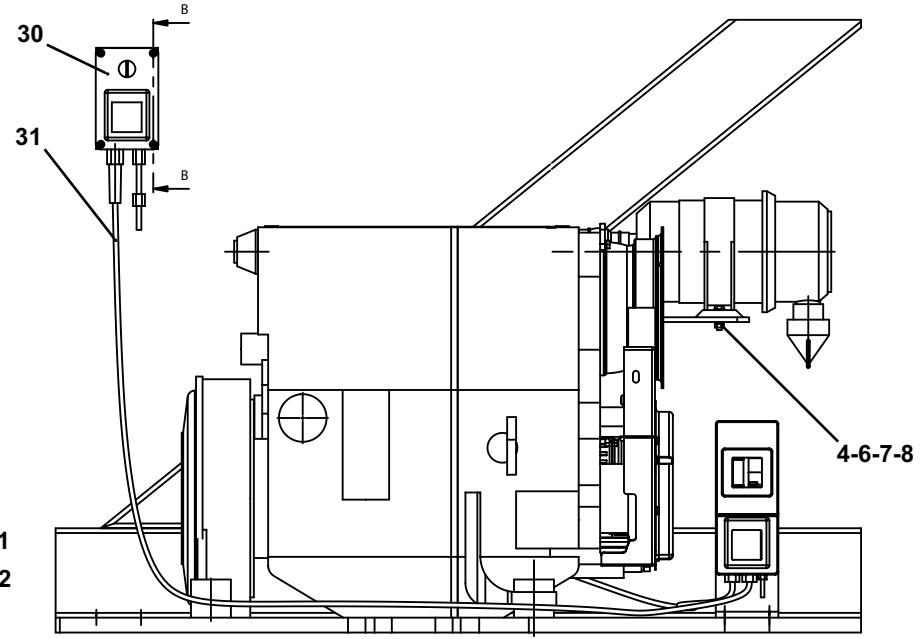
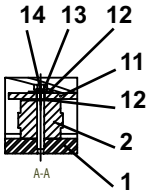
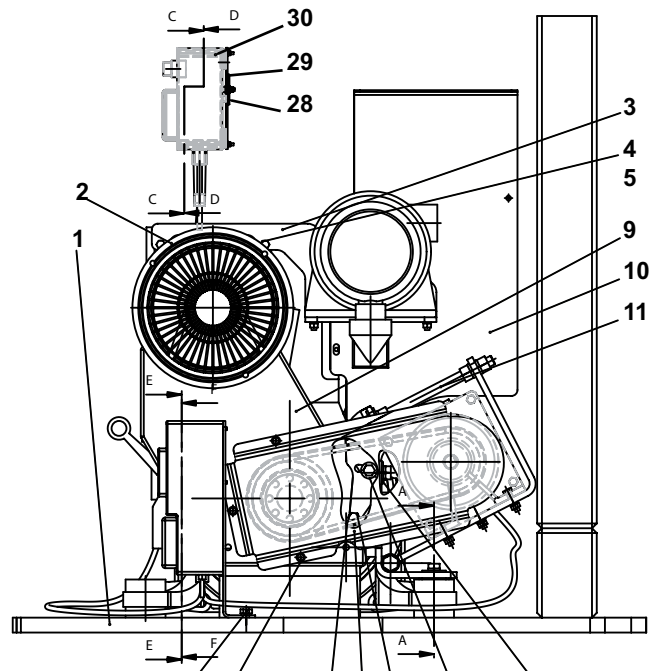
19-21 24-25-26-27 22 23 19-20 18-19-20 15-16-17



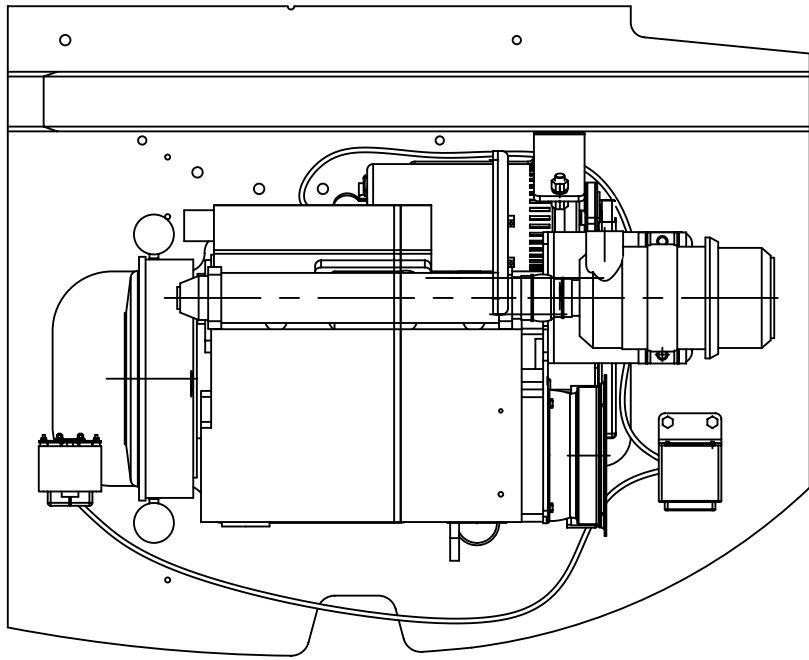
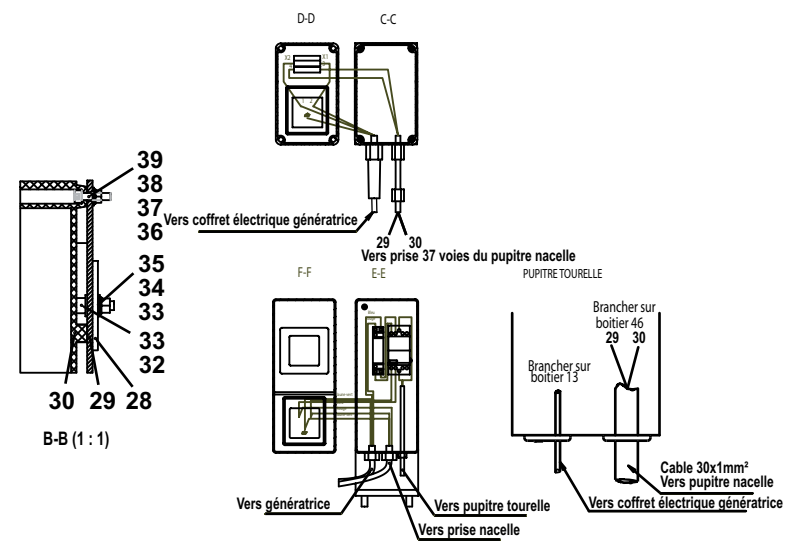
157P213590.B

▲ MONTAGE GÉNÉRATRICE MOUNTING OF POWER SUPPLY UNIT

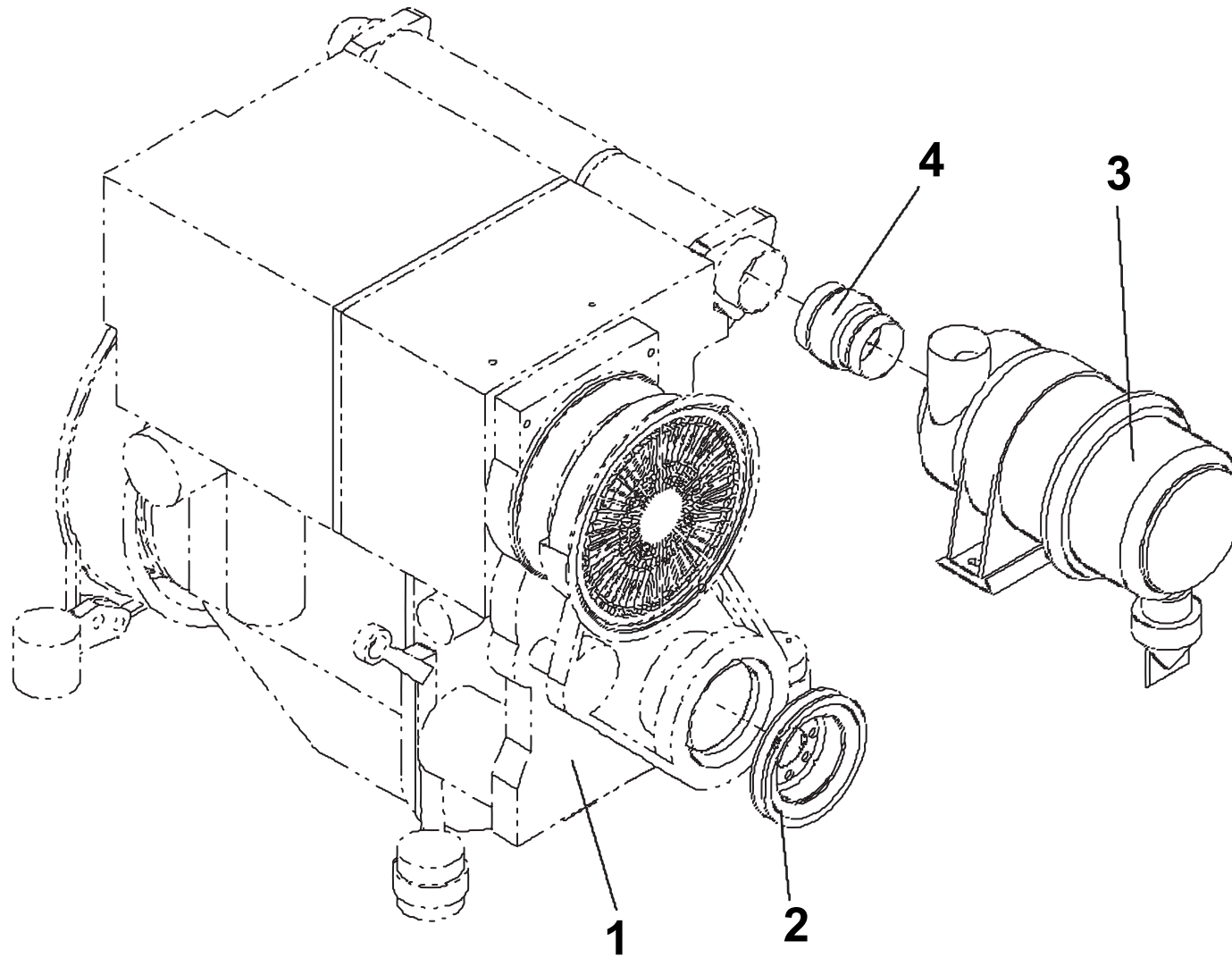
| Rep. | Désignation | Designation | Specification | Qty | Code | Up to / jusqu'à |
|------|-------------------------|-------------------|------------------------|-----|------------|-----------------|
| 27 | ECROU | NUT | H M6 CL. 8 ZB | 3 | 2341221050 | |
| 29 | PLAQUE FIXATION BOITIER | BOX FIXING PLATE | | 1 | 152C167240 | |
| 30 | BOÎTIER | BOX | FR - GB - D - USA | 1 | 152B165570 | |
| 31 | CÂBLE | CABLE | 2.5MM² | 1 | 2440315790 | |
| 32 | VIS | SCREW | CHC M5X16-16 CL.8.8 ZB | 2 | 2308231310 | |
| 33 | RONDELLE PLATE | FLAT WASHER | M 5 ZB | 4 | 2351112040 | |
| 34 | RONDELLE À DENTS | TOOTH LOCK WASHER | DEC 5 ZB | 2 | 2351301060 | |
| 35 | ECROU | NUT | H M5 CL. 8 ZB | 2 | 2341221040 | |
| 36 | VIS | SCREW | CHC M4X16-16 CL.8,8 ZB | 4 | 2308231180 | |
| 37 | RONDELLE PLATE | FLAT WASHER | M 4 ZB | 4 | 2351112030 | |
| 38 | RONDELLE À DENTS | TOOTH LOCK WASHER | DEC 4 ZB | 4 | 2351301050 | |
| 39 | ECROU | NUT | H M4 CL. 8 ZB | 4 | 2341221030 | |
| 40 | PRISE | PLUG SOCKET | | 1 | 2441605540 | |
| | | | | | | |
| | | | | | | |
| | | | | | | |
| | | | | | | |
| | | | | | | |
| | | | | | | |
| | | | | | | |
| | | | | | | |
| | | | | | | |
| | | | | | | |
| | | | | | | |
| | | | | | | |
| | | | | | | |
| | | | | | | |
| | | | | | | |
| | | | | | | |
| | | | | | | |
| | | | | | | |
| | | | | | | |
| | | | | | | |
| | | | | | | |



19-21 24-25-26-27 22 23 19-20 18-19-20 15-16-17



157P213590.B

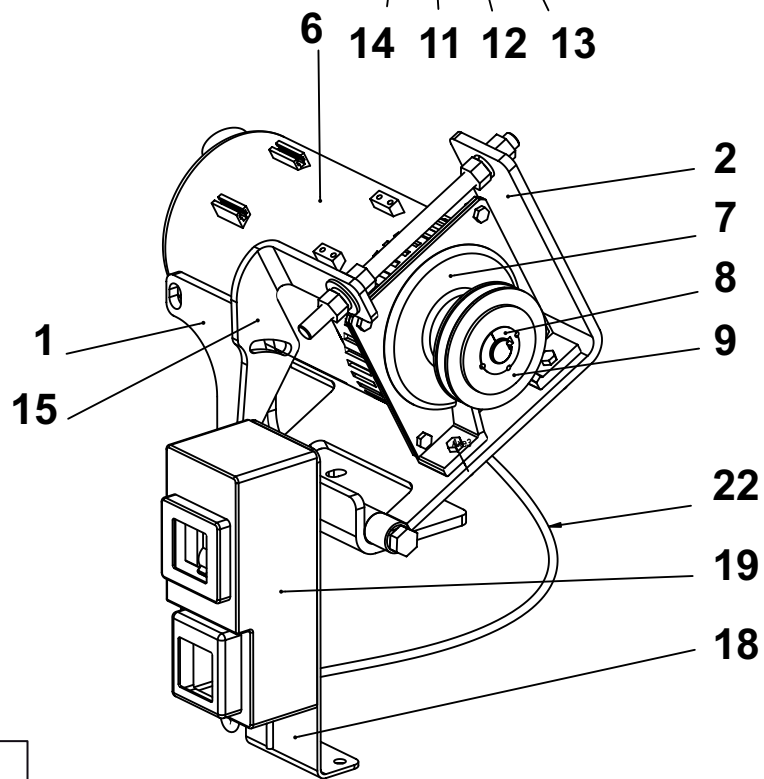
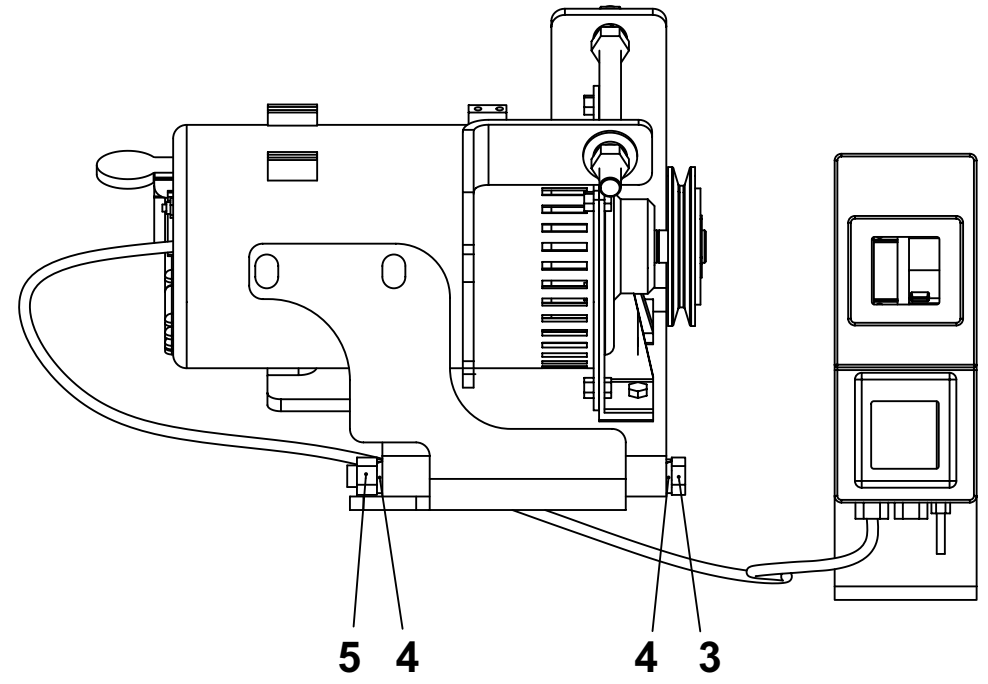
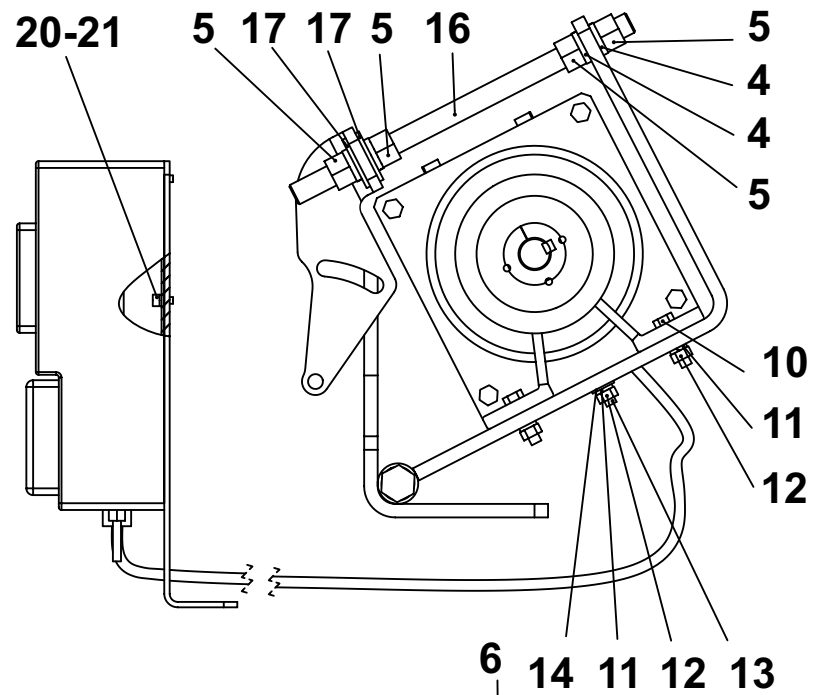


2324000060.D

**▲ KIT GÉNÉRATRICE
MOUNTING OF POWER SUPPLY UNIT**

◀ **E8-11** ▶

| Rep. | Désignation | Designation | Specification | Qty | Code | Up to / jusqu'à |
|------|--------------------------|------------------------------|------------------------|-----|------------|-----------------|
| 1 | SUPPORT GÉNÉRATRICE MÉCA | MECHANICAL GENERATOR SUPPORT | | 1 | 157P213610 | |
| 2 | SUPPORT GÉNÉRATRICE MÉCA | MECHANICAL GENERATOR SUPPORT | | 1 | 157P213600 | |
| 3 | VIS | SCREW | H M16X240-57 CL.8.8 ZB | 1 | 2700100220 | |
| 4 | RONDELLE ÉLASTIQUE | RUBBER WASHER | W 16 ZB | 6 | 2351201120 | |
| 5 | ECROU | NUT | H M16 CL. 8 ZB | 5 | 2341221110 | |
| 6 | GÉNÉRATRICE | GENERATOR | 220V-AR1-130 4.1KVA | 1 | 2440705230 | |
| 7 | GÉNÉRATRICE | GENERATOR | KIT B9/B14 | 1 | 2421101980 | |
| 8 | MOYEU CONIQUE AMOVIBLE | DETACHABLE CONICAL HUB | Ø24 | 1 | 2421303590 | |
| 9 | POULIE 1 GORGE | PULLEY 1 GROOVE | SPA Ø112 | 1 | 2421609530 | |
| 10 | VIS | SCREW | H M8X35-22 CL.8.8 ZB | 2 | 2301231660 | |
| 11 | RONDELLE ÉLASTIQUE | RUBBER WASHER | W 8 ZB | 3 | 2351201070 | |
| 12 | ECROU | NUT | H M8 CL. 8 ZB | 3 | 2341221070 | |
| 13 | VIS | SCREW | H M8X30-22 CL.8.8 ZB | 1 | 2301231650 | |
| 14 | RONDELLE PLATE | FLAT WASHER | M 8 ZB | 1 | 2351112070 | |
| 15 | TENDEUR DE COURROIE | BELT ADJUSTER | | 1 | 157P213620 | |
| 16 | TIGE FILETÉE | THREADED ROD | M16 LONGUEUR 280 | 1 | 157P213630 | |
| 17 | RONDELLE PLATE | FLAT WASHER | L 16 ZB | 2 | 2351123130 | |
| 18 | SUPPORT COFFRET ÉLECTRIQ | ELECTRICITY CUPBOARD SUPPORT | | 1 | 157P214390 | |
| 19 | COFFRET ÉLECTRIQUE | ELECTRIC BOX | | 1 | 157C176990 | |
| 20 | VIS | SCREW | CHC M5X10-10 CL.8,8 ZB | 2 | 2308231290 | |
| 21 | RONDELLE ÉLASTIQUE | RUBBER WASHER | W 5 ZB | 2 | 2351201040 | |
| 22 | CÂBLE | CABLE | 2.5MM ² | 1 | 2440315790 | |
| | | | | | | |
| | | | | | | |
| | | | | | | |
| | | | | | | |

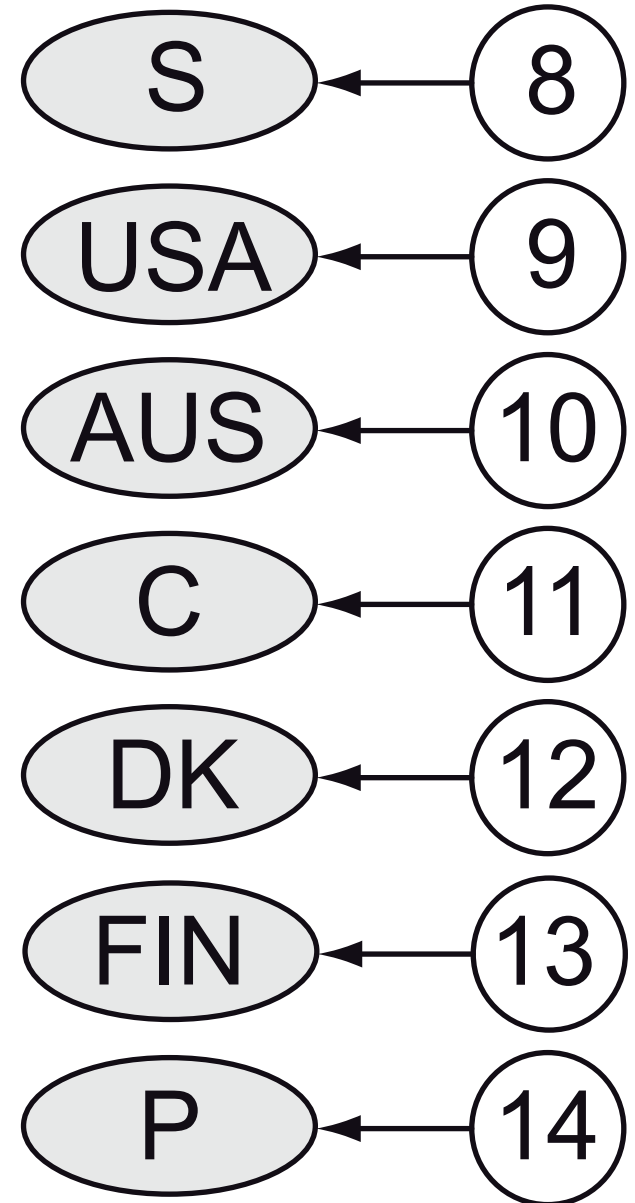
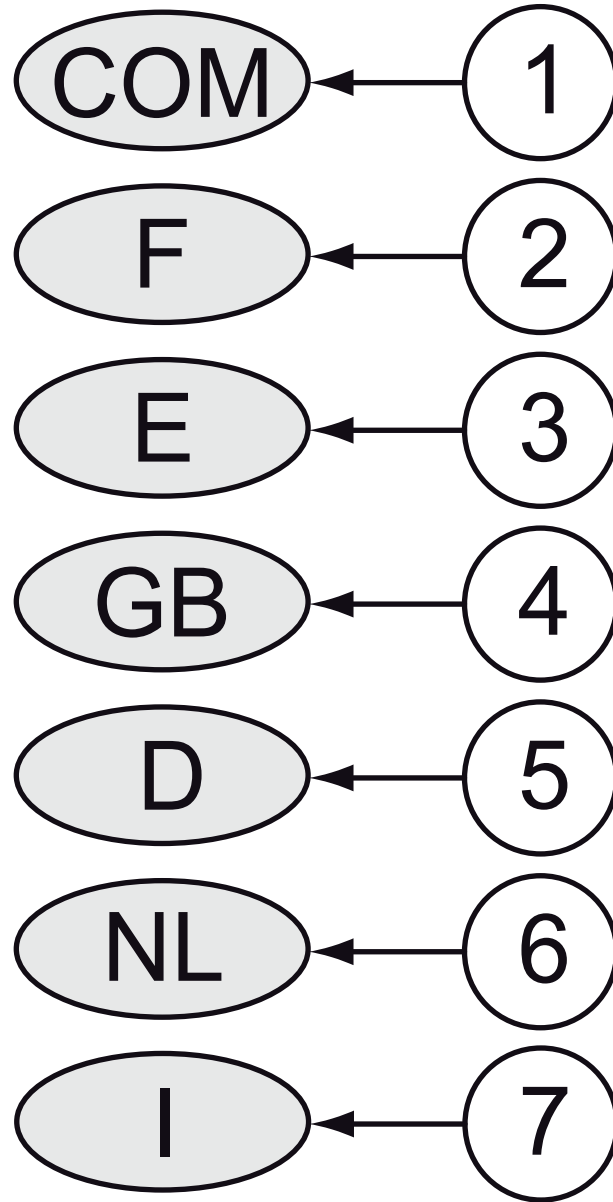
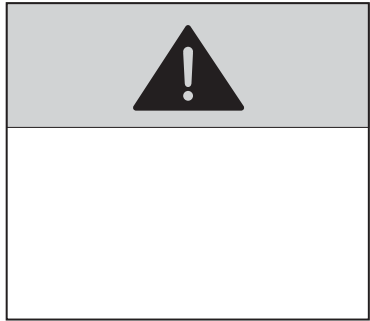


157P213930B

**▲ ETIQUETTES
LABELS**



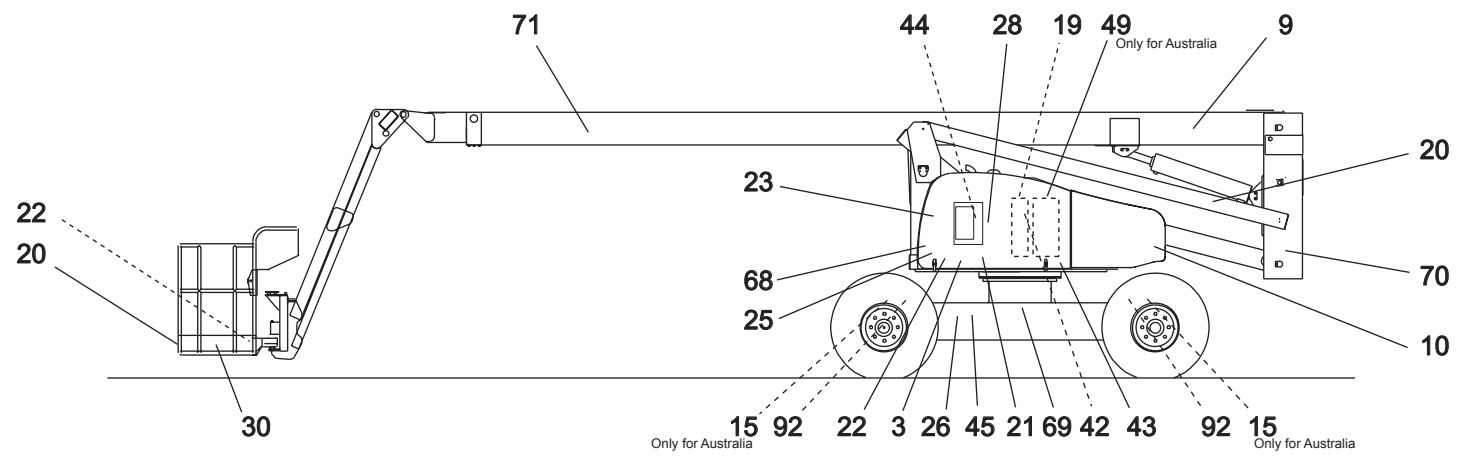
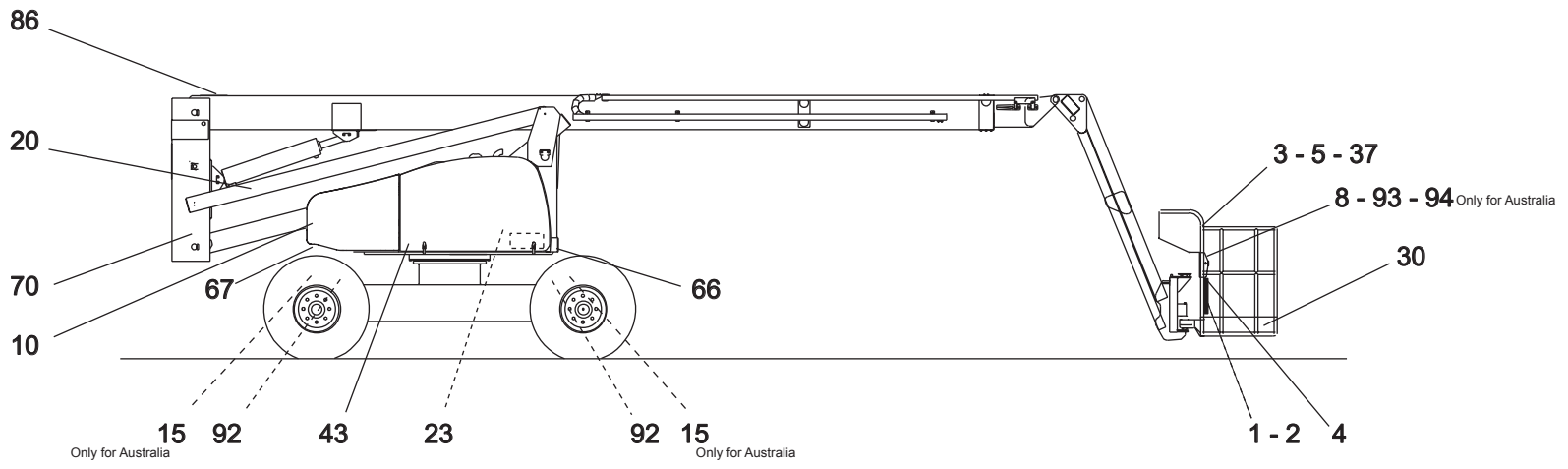
| Rep. | Désignation | Designation | Specification | Up to / jusqu'à |
|------|---------------------|-----------------|---------------|-----------------|
| 1 | ETIQUETTES COMMUNES | COMMON LABELS | | |
| 2 | FRANCE | FRANCE LABELS | | |
| 3 | ESPAGNE | SPAIN LABELS | | |
| 4 | ANGLETERRE | GB LABELS | | |
| 5 | ALLEMAGNE | RFA LABELS | | |
| 6 | HOLLANDE | HOLLAND LABELS | | |
| 7 | ITALIE | ITALY LABELS | | |
| 8 | SUÈDE | SWEDEN LABELS | | |
| 9 | USA | USA LABELS | | |
| 10 | AUSTRALIE | AUSTRALIA | | |
| 11 | CANADA | CANADA LABELS | | |
| 12 | DANEMARK | DENMARK LABELS | | |
| 13 | FINLANDE | FINLAND LABELS | | |
| 14 | PORTUGAL | PORTUGAL LABELS | | |
| | | | | |
| | | | | |
| | | | | |
| | | | | |
| | | | | |
| | | | | |
| | | | | |
| | | | | |
| | | | | |
| | | | | |
| | | | | |
| | | | | |
| | | | | |
| | | | | |
| | | | | |
| | | | | |
| | | | | |



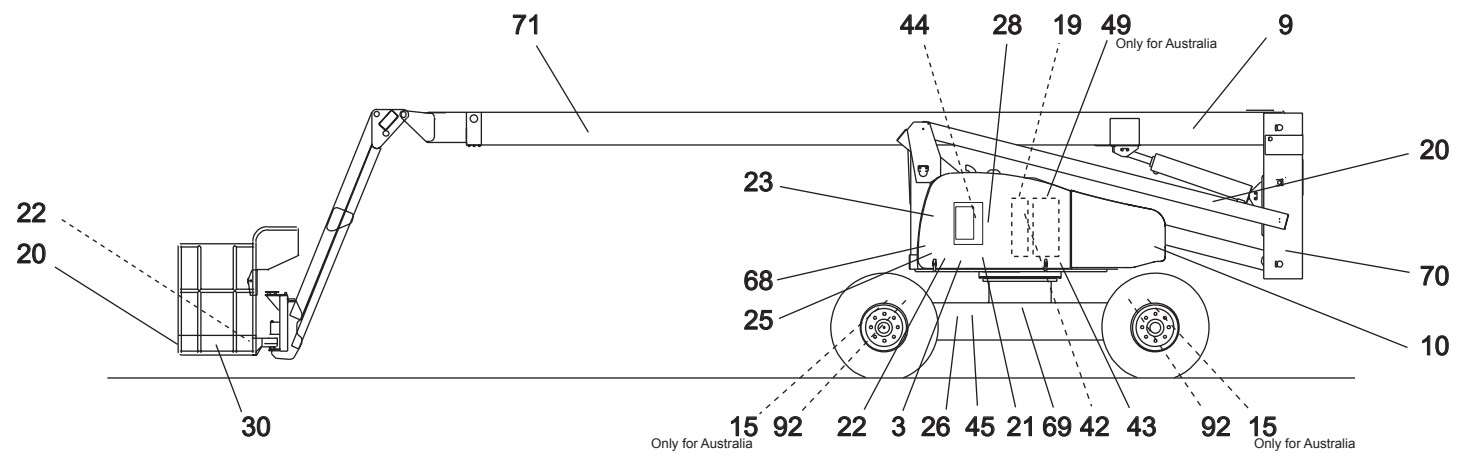
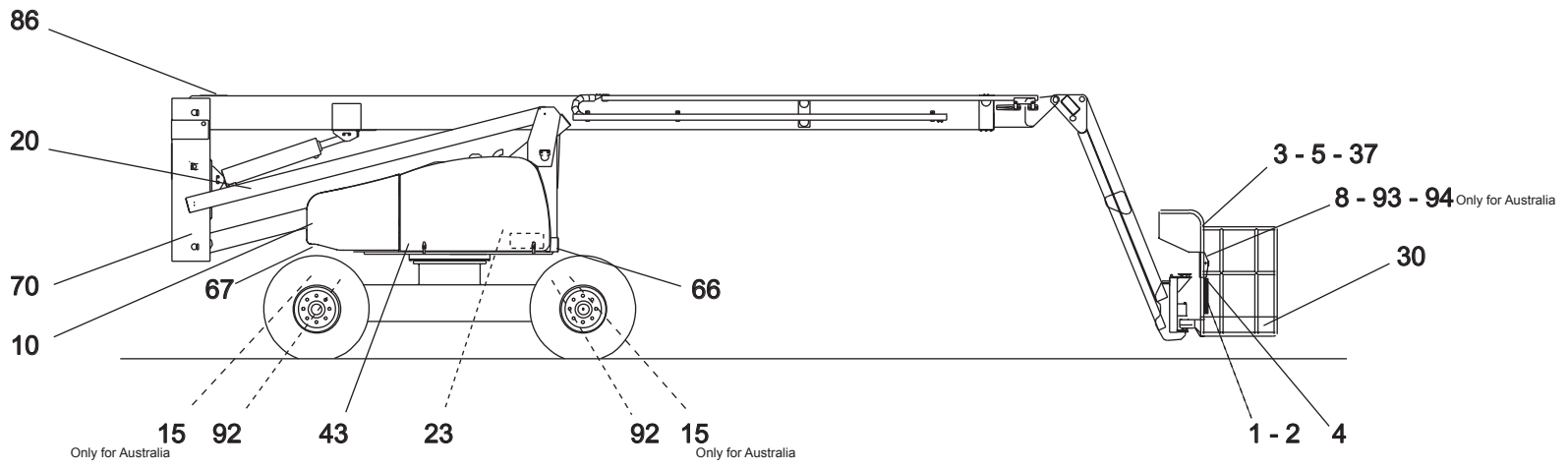
▲ ETIQUETTES COMMUNES COMMON LABELS

◀ F1 ▶

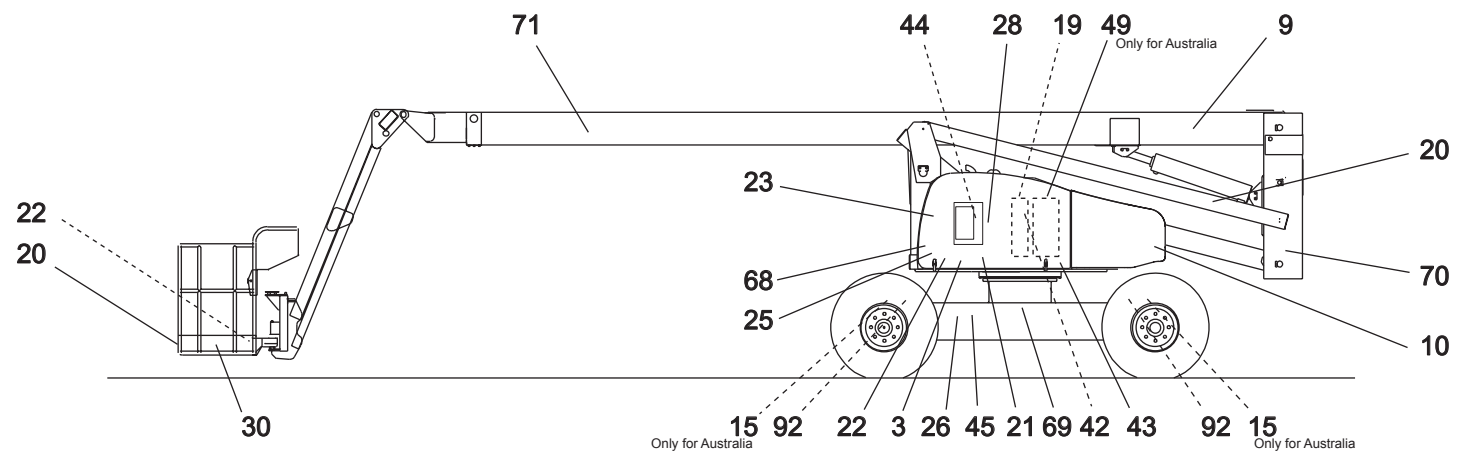
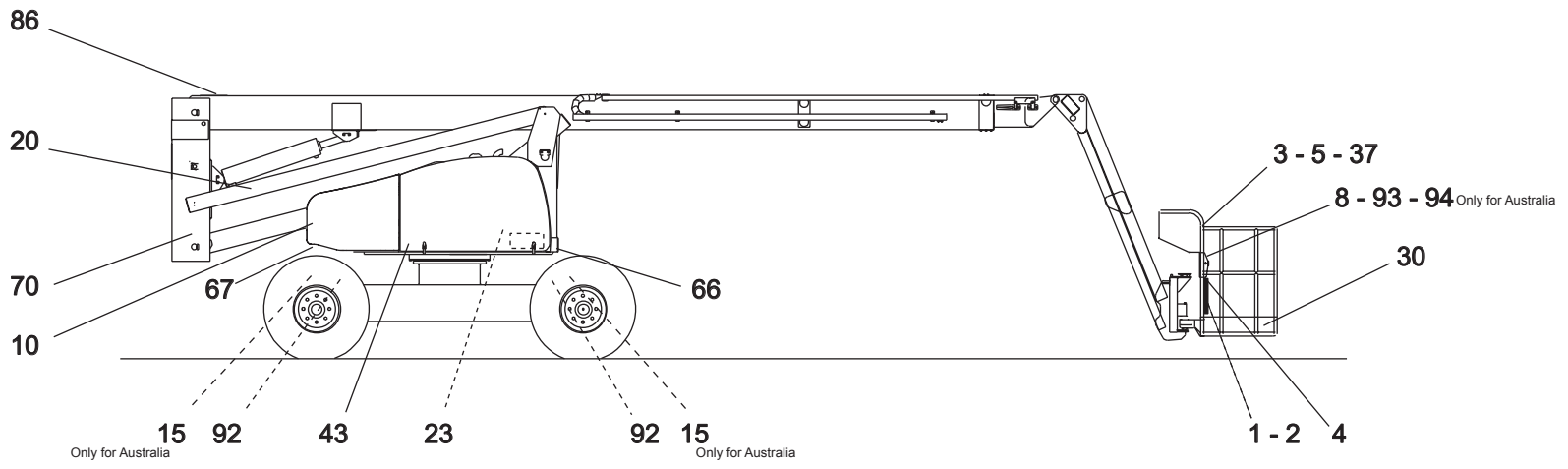
| Rep. | Désignation | Designation | Specification | Qty | Code | Up to / jusqu'à |
|------|--------------------------|-------------------------------|---------------|-----|------------|-----------------|
| 1 | CATALOGUE PR | SPARE PARTS CATALOGUE | | 1 | 2420329900 | |
| 3 | HAUTEUR PLANCHER+CHARGE | FLOOR HEIGHT + LOAD LABEL | HA26LP | 2 | 307P216870 | |
| 4 | LIRE MANUEL | « READ MANUAL » LABEL | | 1 | 3078143680 | |
| 5 | SENS TRANSLATION | « DIRECTION OF TRAVEL » LABEL | | 1 | 3078145070 | |
| 9 | GRAPHISME | LOGO | | 1 | 307P216920 | |
| 10 | ECRASEMENT MAIN | « HAND CRUSHING » LABEL | | 2 | 3078143620 | |
| 19 | HUILE HYDRAULIQUE | « HYDRAULIC OIL » LABEL | | 1 | 3078143520 | |
| 20 | HAULOTTE | « HAULOTTE » LABEL | 100 X 500 | 3 | 307P217080 | |
| 21 | NE PAS STATIONNER | « DO NOT PARK » PARK | | 1 | 3078143880 | |
| 22 | ELECTROCUTION | « ELECTROCUTION » LABEL | | 2 | 3078143490 | |
| 23 | MASSE SOUDURE | « WELDING EARTH » LABEL | | 2 | 3078143600 | |
| 25 | DÉVERS | TILT | | 1 | 3078144650 | |
| 30 | ADHÉSIF JAUNE ET NOIR | YELLOW AND BLACK ADHESIVE MAR | | 1 | 2421808660 | |
| 37 | BARRE COULISSANTE | SLIDING BAR | CE - ANSI | 1 | 3078153510 | |
| 42 | NIVEAU D'HUILE | OIL LEVEL | | 1 | 3078143590 | |
| 43 | NE PAS POSER | DO NOT STAND LABEL | | 2 | 3078143640 | |
| 44 | NE PAS INTERCHANGER | « DO NOT INTERCHANGE » LABEL | | 1 | 3078145180 | |
| 45 | PUISSANCE ACOUSTIQUE | ACOUSTIC POWER LABEL | | 1 | 3078148740 | |
| 66 | FLÈCHE VERTE | GREEN ARROW | AV | 1 | 3078143930 | |
| 67 | FLÈCHE ROUGE | RED ARROW | AR | 1 | 3078143940 | |
| 68 | ENLEVER BROCHE | « ... REMOVE PIN » LABEL | | 1 | 3078143530 | |
| 69 | GRAISSAGE | « LUBRICATION » LABEL | | 1 | 3078143570 | |
| 70 | ECRASEMENT CORPS | « BODY CRUSHING » LABEL | | 2 | 3078143630 | |
| 71 | HAULOTTE | « HAULOTTE » LABEL | 1910 X 300 | 1 | 307P217240 | |
| 86 | CALIBRATION SI DÉMONTAGE | CALIBRATION AFTER DISMOUNTING | | 1 | 307P216930 | |
| 92 | CHARGE SUR UNE ROUE | LOAD ON ONE WHEEL | HA26LP | 4 | 307P216880 | |



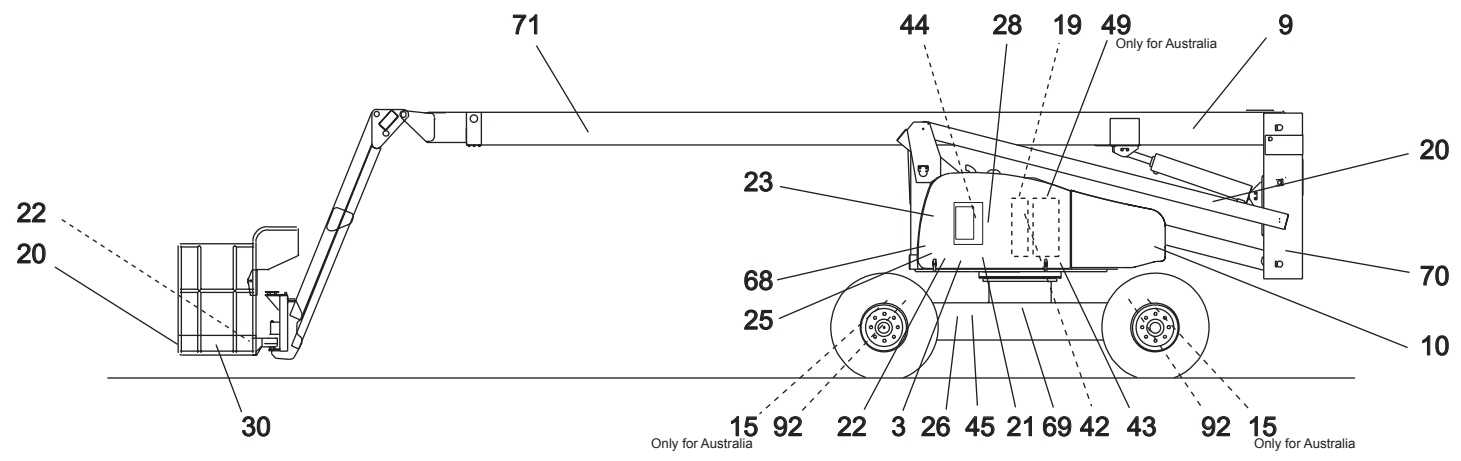
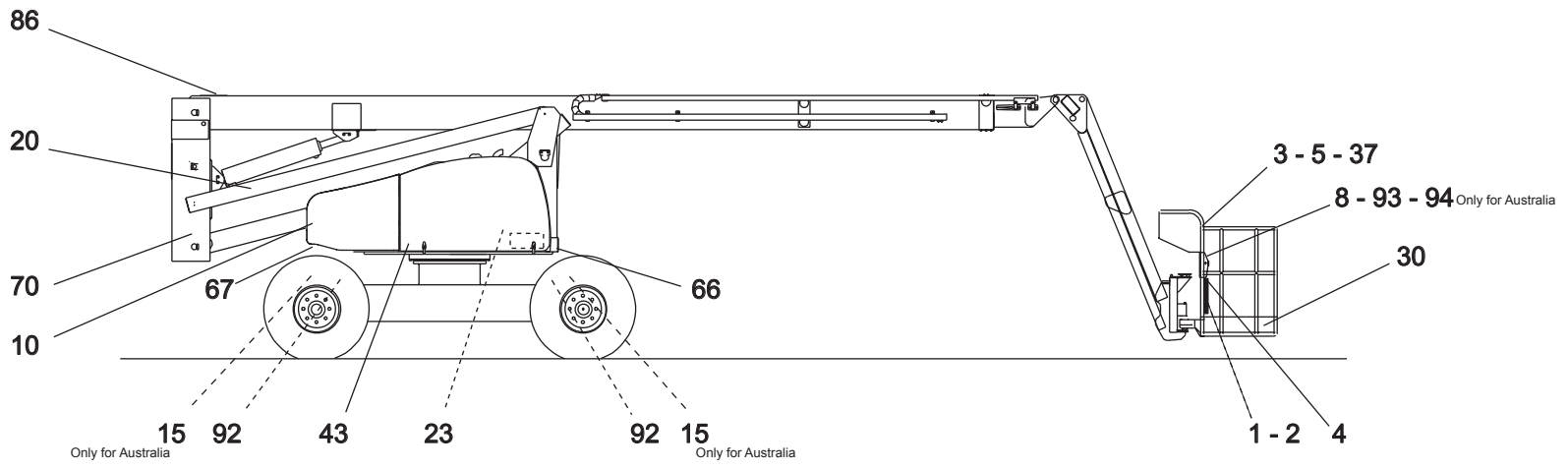
157P261370 a



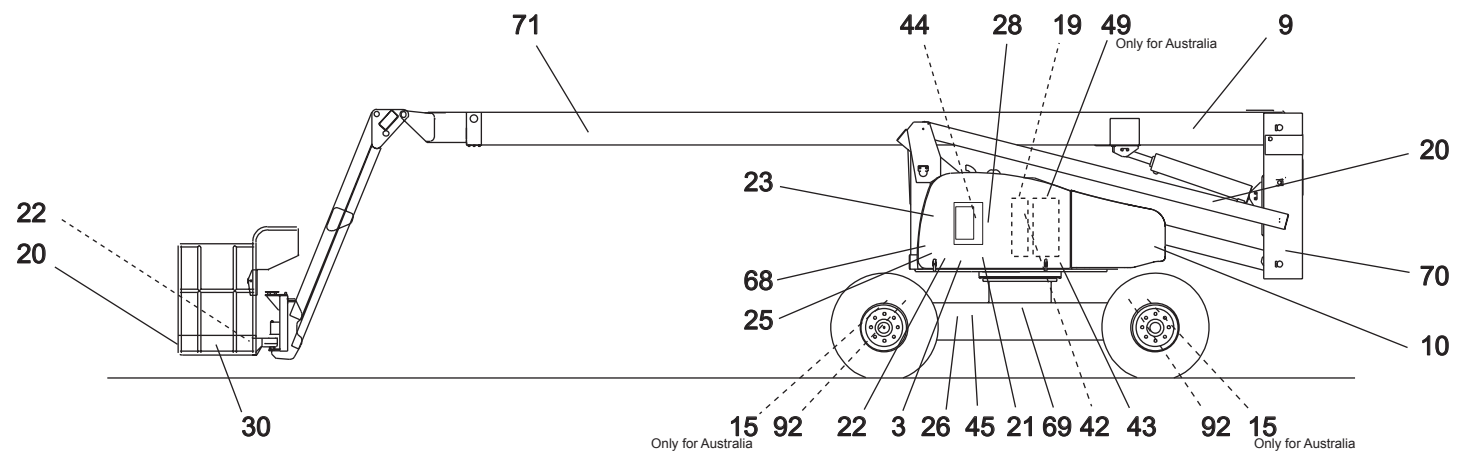
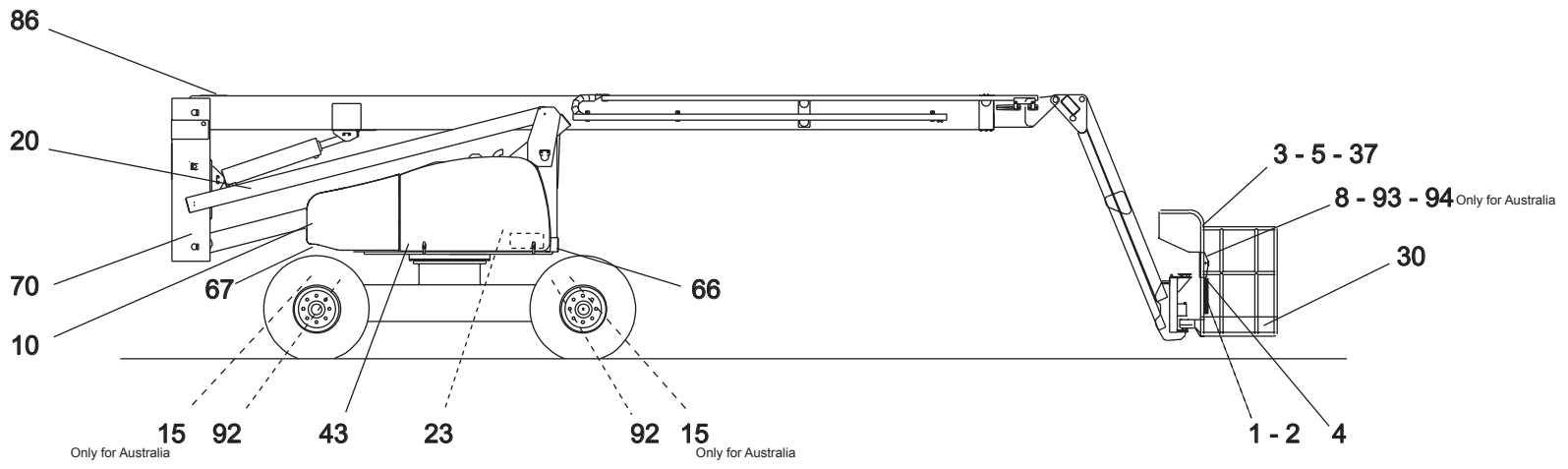
157P261370 a



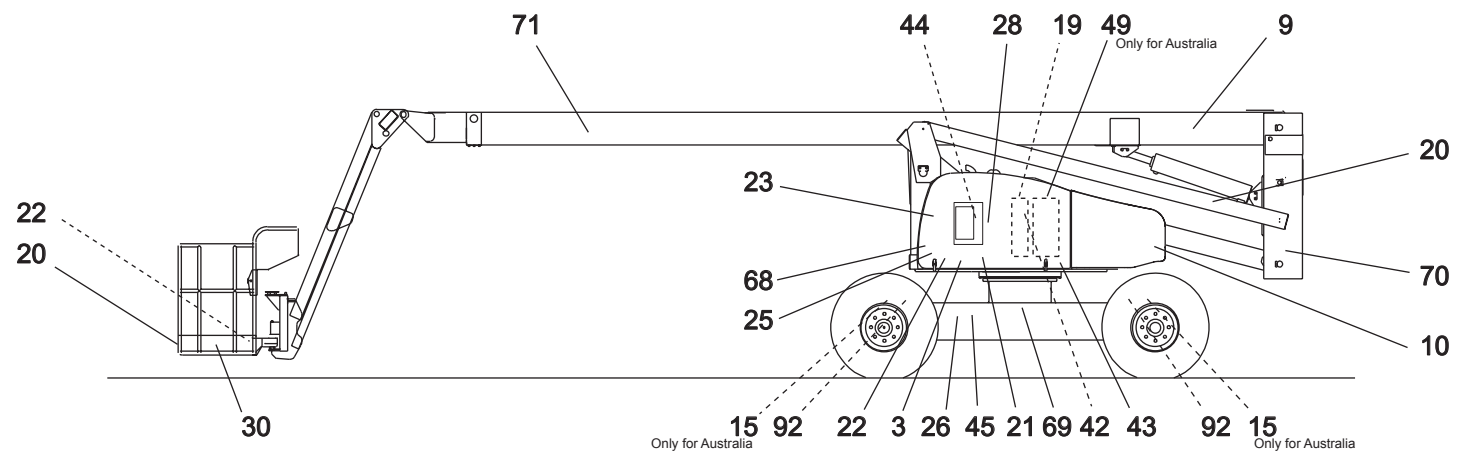
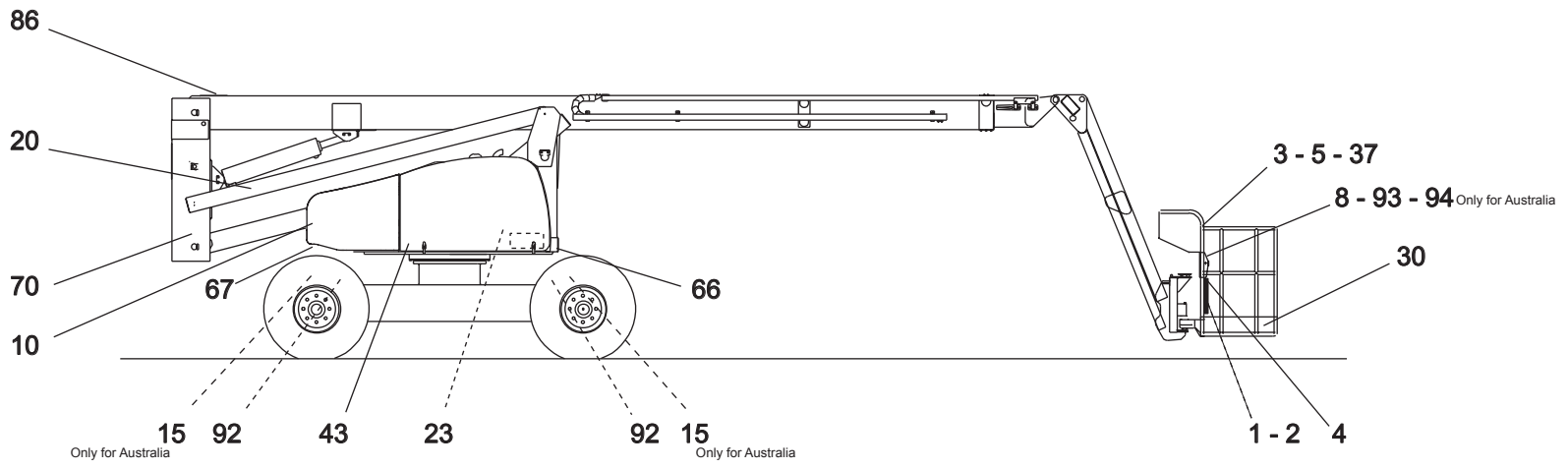
157P261370 a



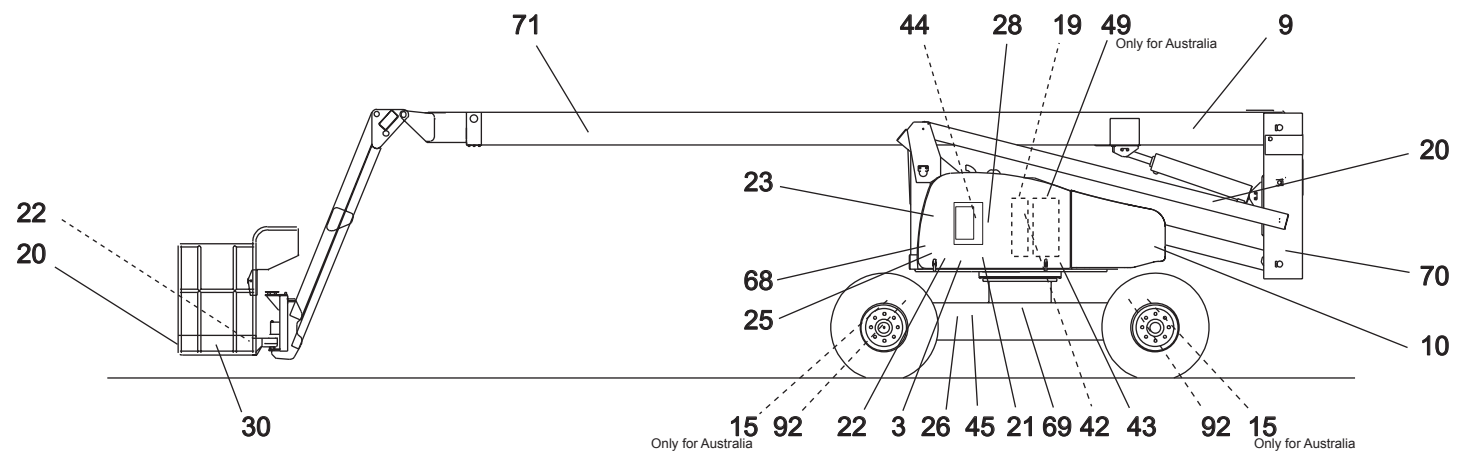
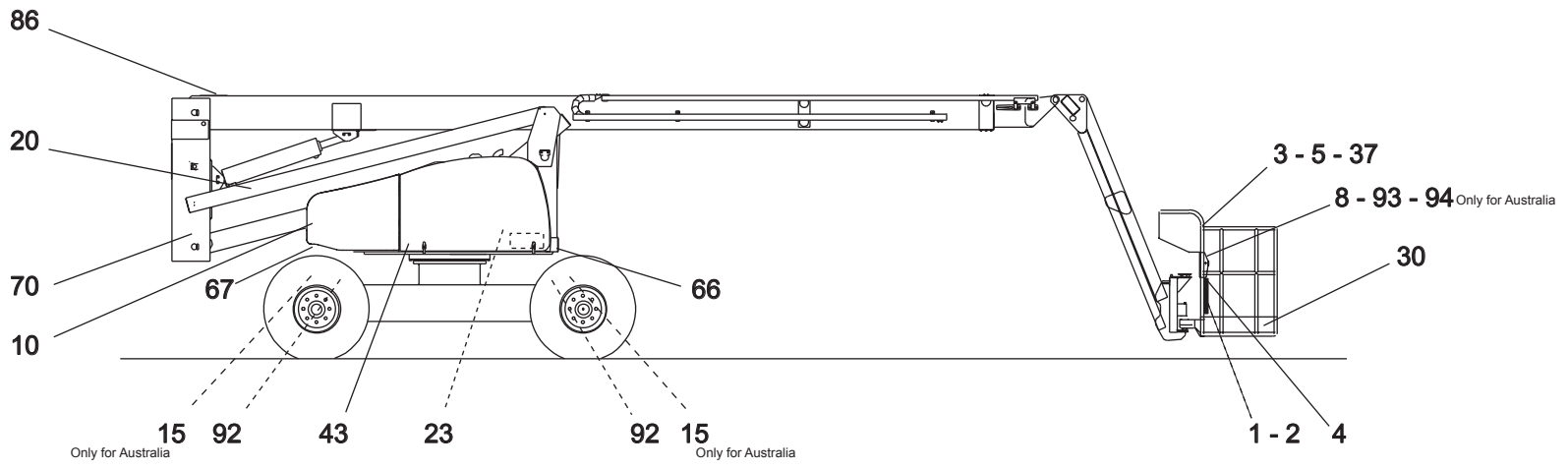
157P261370 a



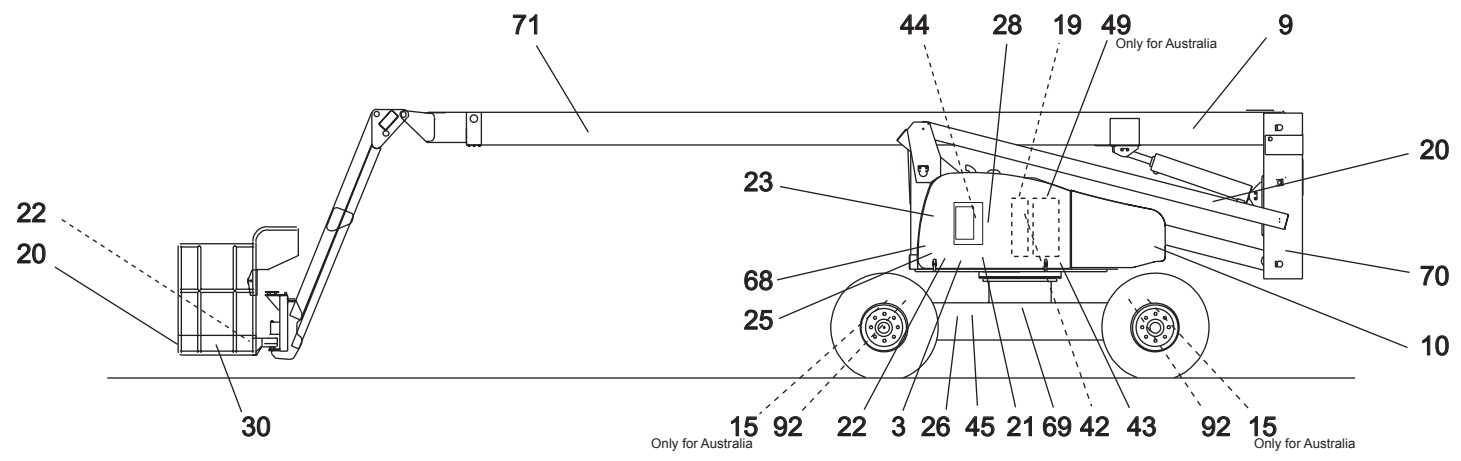
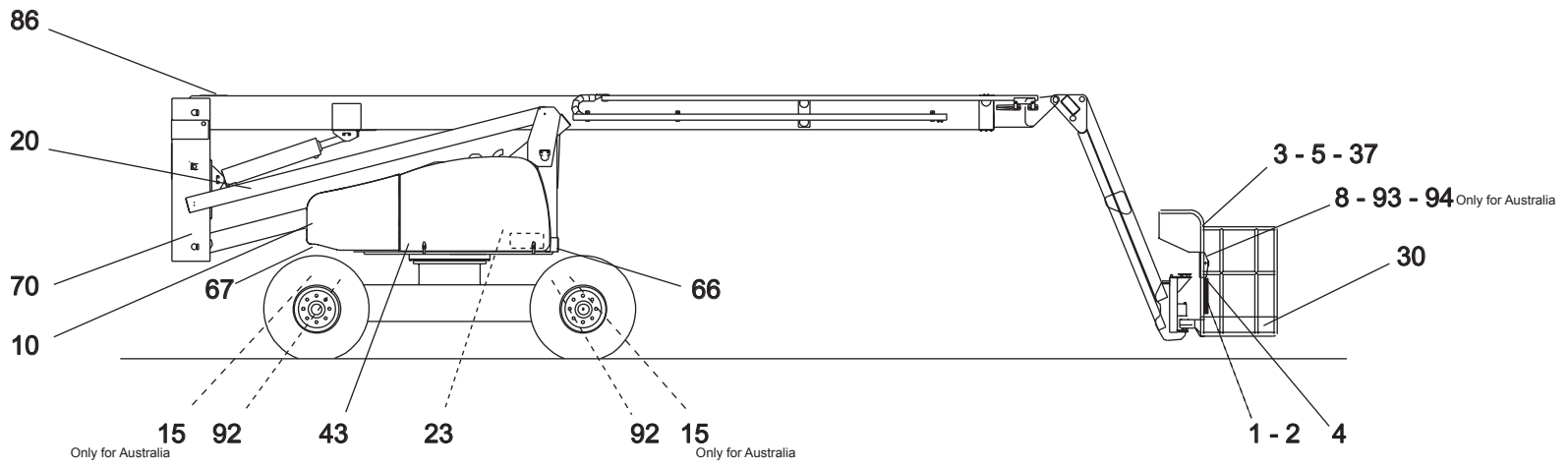
157P261370 a



157P261370 a



157P261370 a

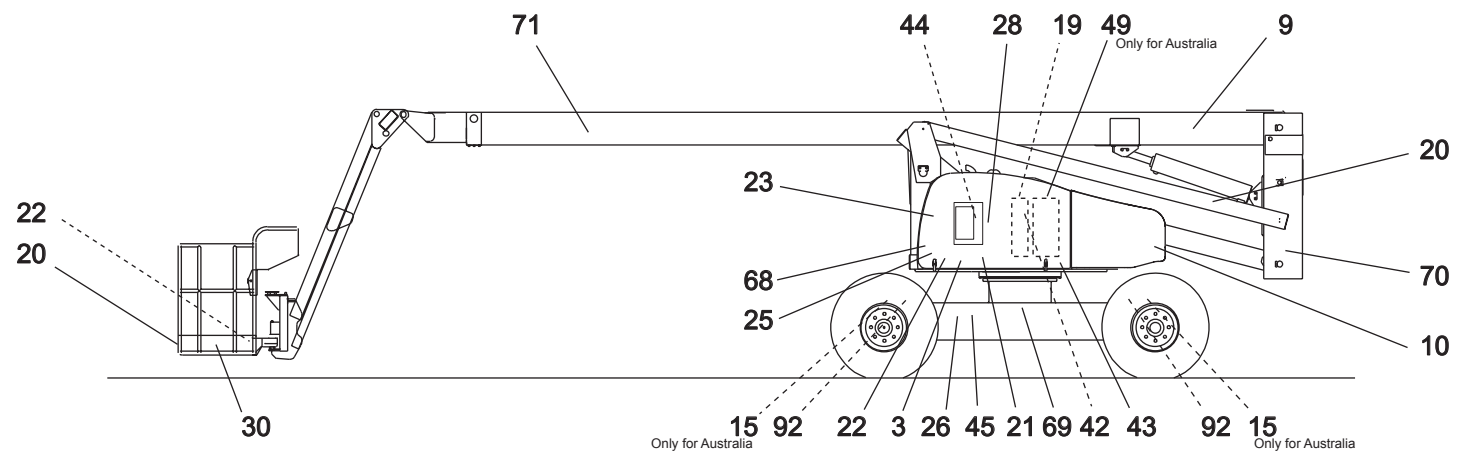
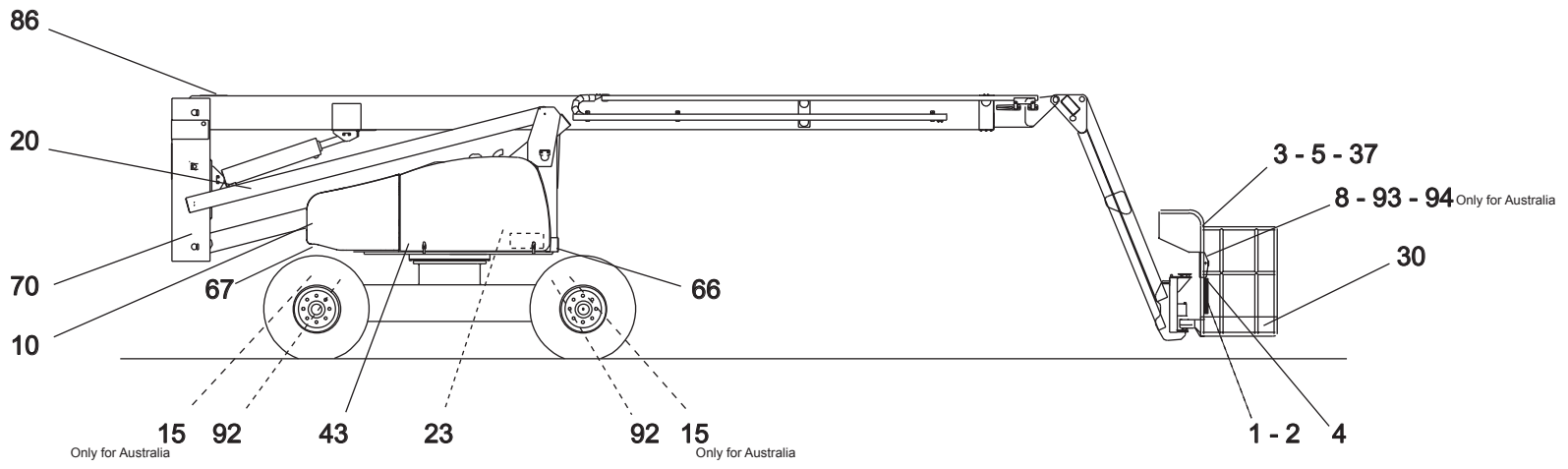


157P261370 a

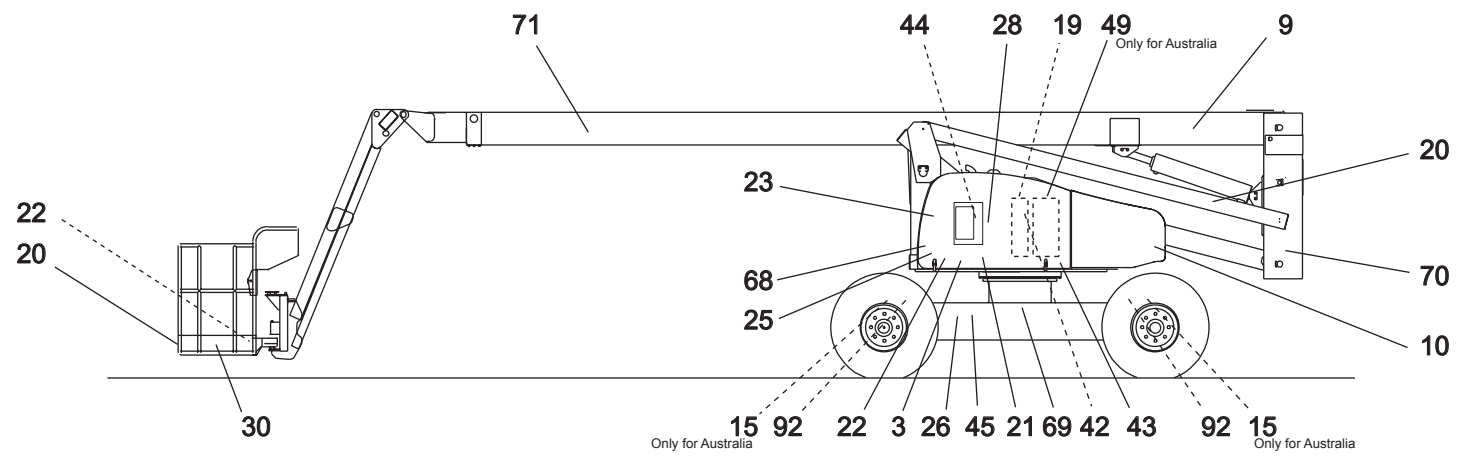
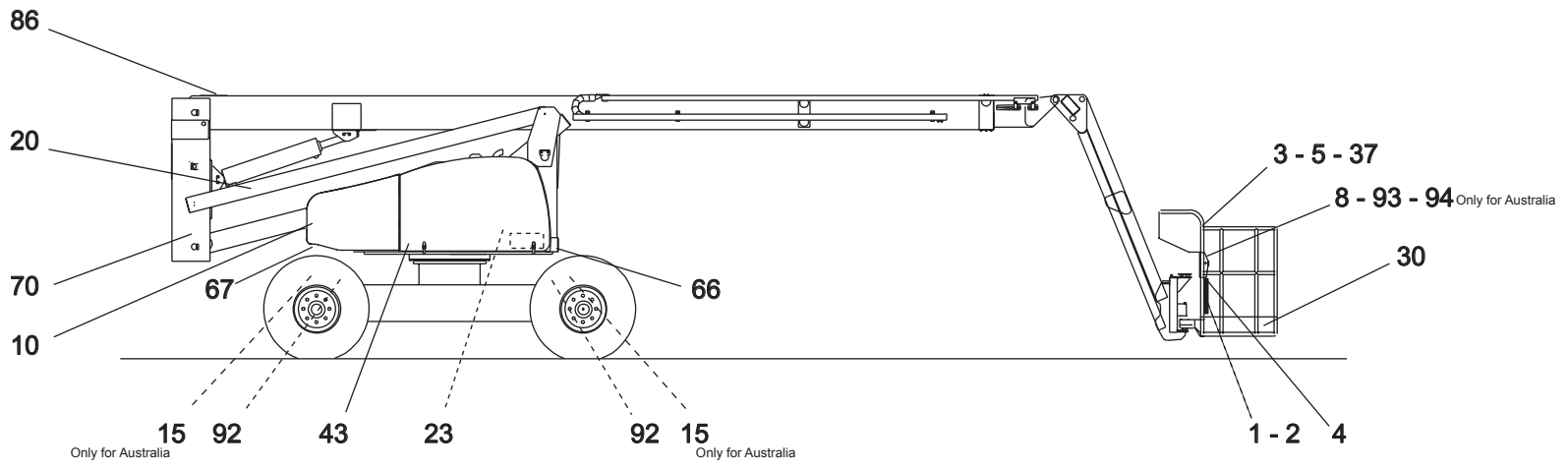
▲ **USA**
USA LABELS

◀ **F9**
1/2 ▶

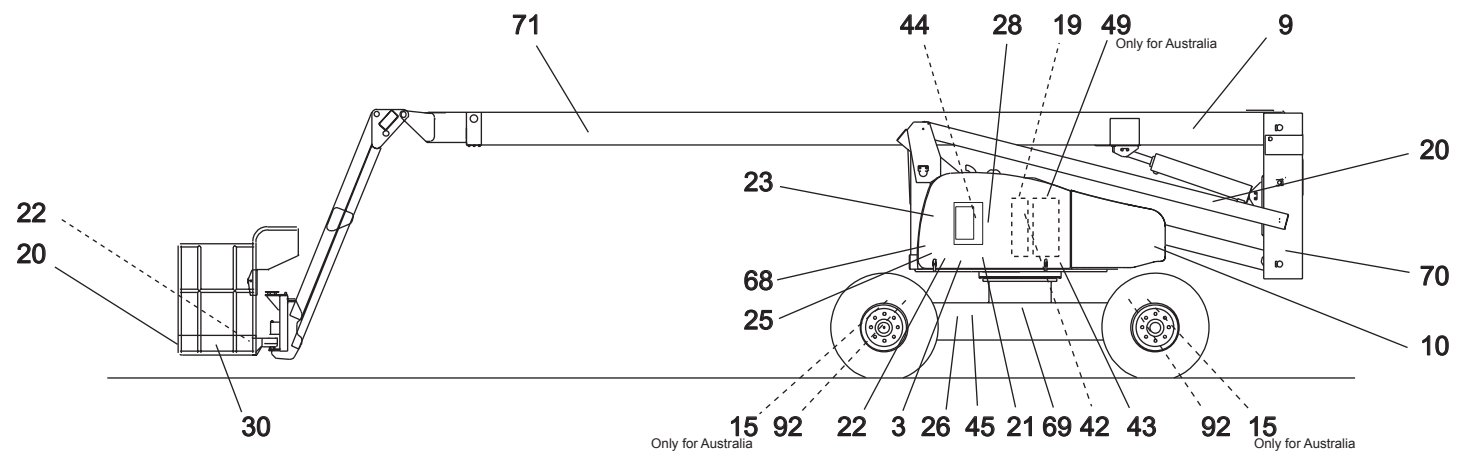
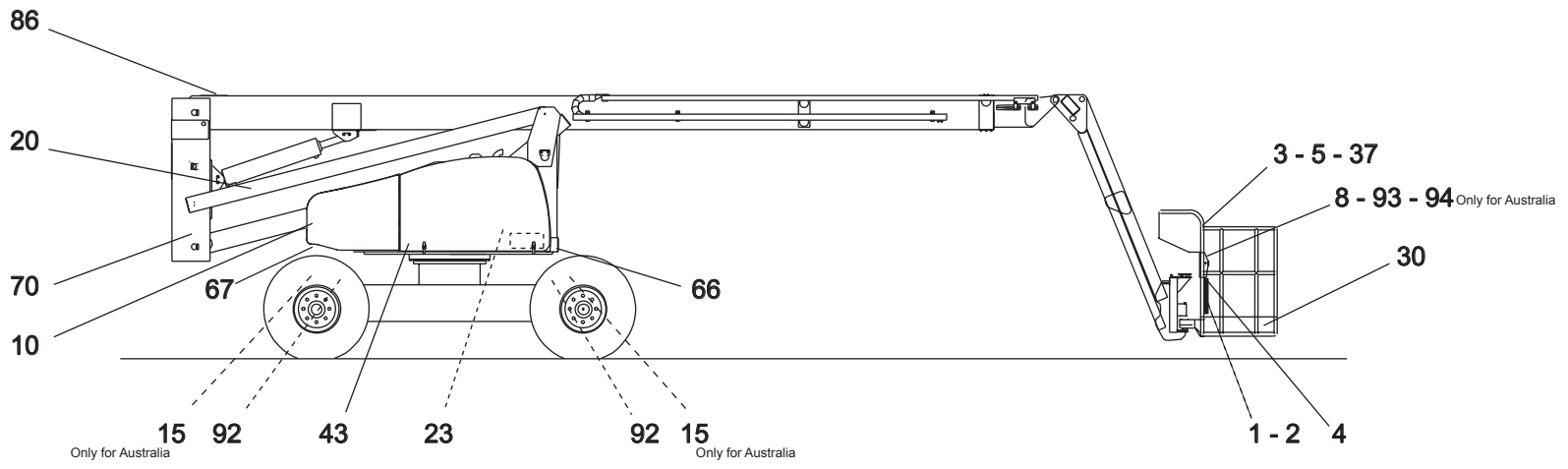
| Rep. | Désignation | Designation | Specification | Qty | Code | Up to / jusqu'à |
|------|--------------------------|-------------------------------|----------------|-----|------------|-----------------|
| 1 | GRAPHISME | LOGO | | 1 | 3078147110 | |
| 1 | CATALOGUE PR | SPARE PARTS CATALOGUE | | 1 | 2420329900 | |
| 2 | OPERATOR'S MANUAL | OPERATOR'S MANUAL | HA20-260PX USA | 1 | 2420328790 | |
| 3 | HAUTEUR PLANCHER + CHARG | FLOOR HEIGHT + LOAD LABEL | | 1 | 307P215750 | |
| 4 | LIRE MANUEL | « READ MANUAL » LABEL | | 1 | 3078147290 | |
| 5 | SENS TRANSLATION | « DIRECTION OF TRAVEL » LABEL | | 1 | 3078147300 | |
| 8 | PRISE 110V | « 110 V SOCKET » LABEL | | 1 | 3078147580 | |
| 10 | ECRASEMENT MAIN | « HAND CRUSHING » LABEL | | 2 | 3078147240 | |
| 15 | ATTACHE ÉLINGUES | SLING FASTENER | | 4 | 3078147930 | |
| 19 | HUILE HYDRAULIQUE | « HYDRAULIC OIL » LABEL | | 1 | 3078147140 | |
| 20 | HAULOTTE | « HAULOTTE » LABEL | 100 X 500 | 3 | 307P217080 | |
| 21 | NE PAS STATIONNER | « DO NOT PARK » PARK | | 1 | 3078146960 | |
| 22 | ELECTROCUTION | « ELECTROCUTION » LABEL | | 2 | 3078147100 | |
| 23 | MASSE SOUDURE | « WELDING EARTH » LABEL | | 2 | 3078147220 | |
| 25 | DÉVERS | TILT | | 1 | 3078147090 | |
| 26 | PLAQUE CONSTRUCTEUR | MANUFACTURER'S PLATE | | 1 | 307P218170 | |
| 28 | CONSIGNES UTILISATION | « OPERATING INSTRUCTIONS » | | 1 | 3078147050 | |
| 30 | ADHÉSIF JAUNE ET NOIR | YELLOW AND BLACK ADHESIVE MAR | | 1 | 2421808660 | |
| 35 | FIXATION DU HARNAIS | HARNESS FIXING PART | | 2 | 3078147950 | |
| 36 | RISQUE D'EXPLOSION | EXPLOSION RISK LABEL | | 1 | 3078148030 | |
| 37 | BARRE COULISSANTE | SLIDING BAR | | 1 | 3078153630 | |
| 39 | VOLTAGE | VOLTAGE LABEL | | 1 | 3078147890 | |
| 40 | RÉCAPITULATIF SYMBOLES | «SYMBOL SUMMARY» LABEL | | 1 | 3078147960 | |
| 42 | NIVEAU D'HUILE | OIL LEVEL | | 1 | 3078147210 | |
| 43 | NE PAS POSER | DO NOT STAND LABEL | | 2 | 3078147270 | |
| 44 | NE PAS INTERCHANGER | « DO NOT INTERCHANGE » LABEL | | 1 | 3078147320 | |



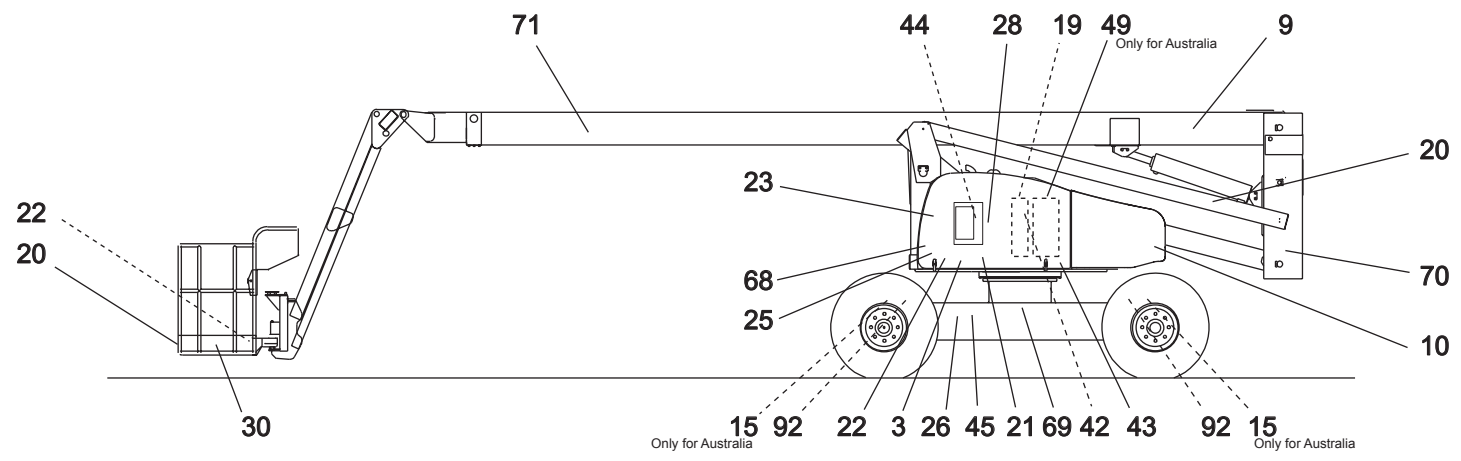
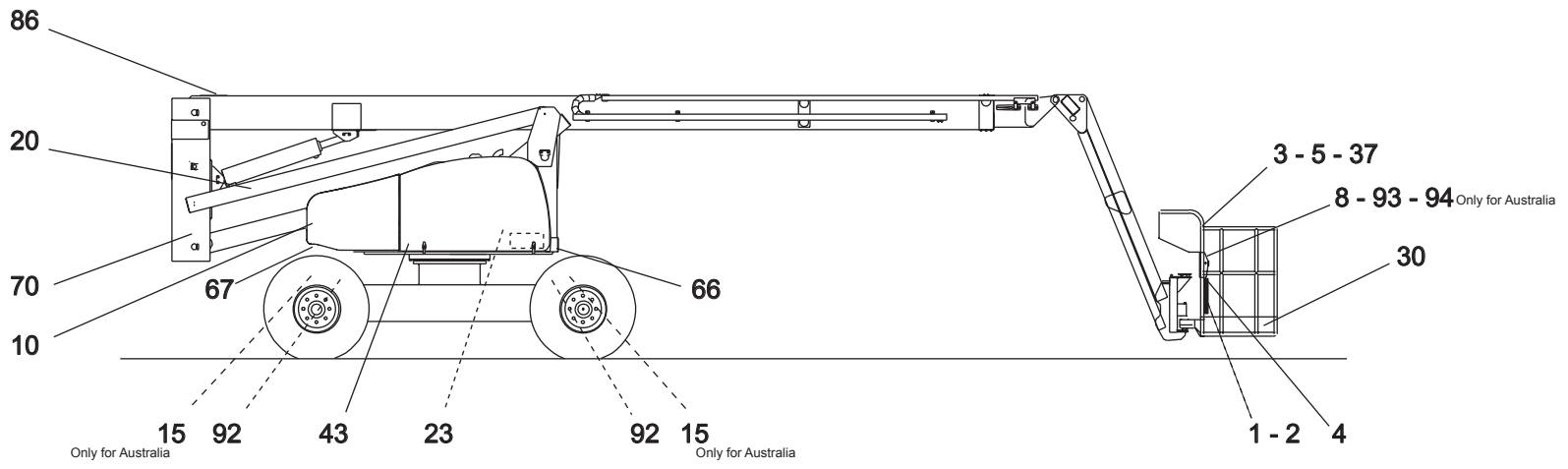
157P261370 a



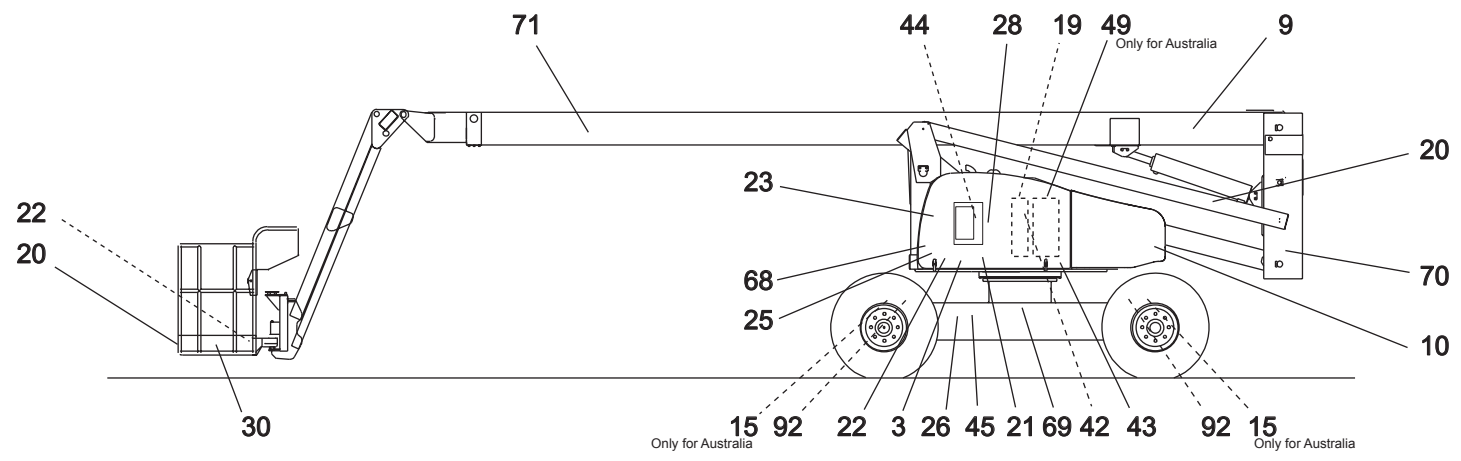
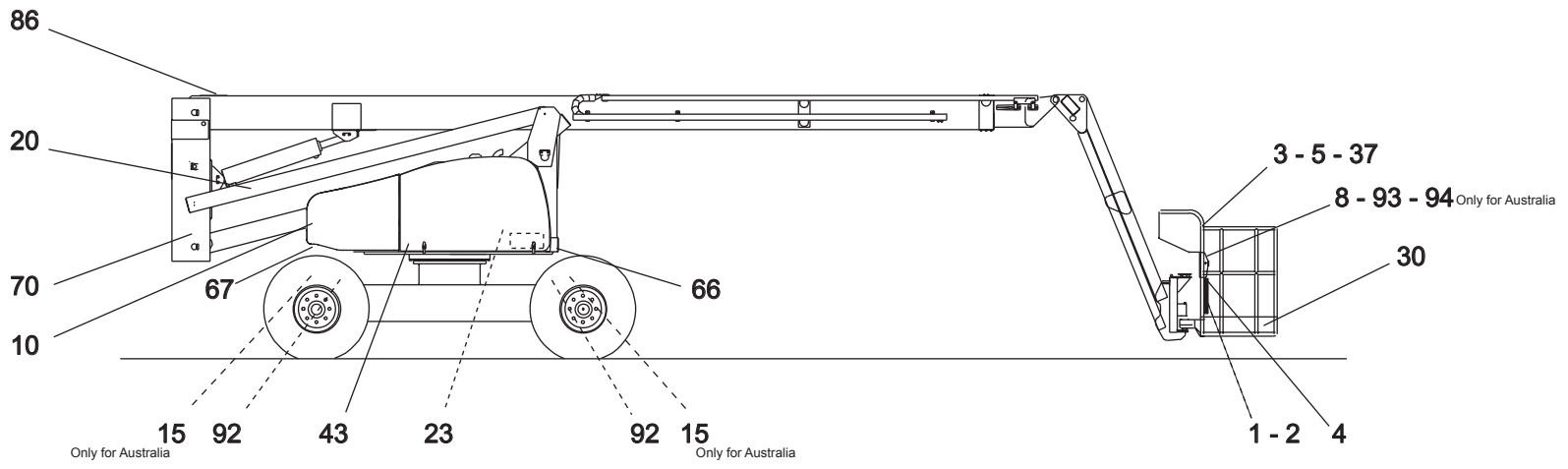
157P261370 a



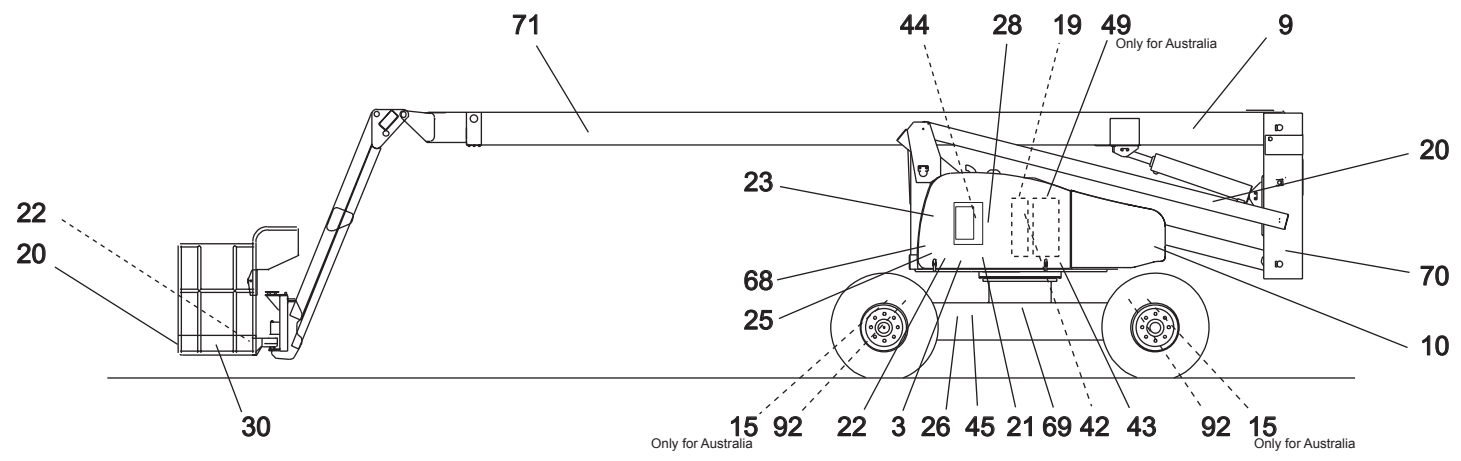
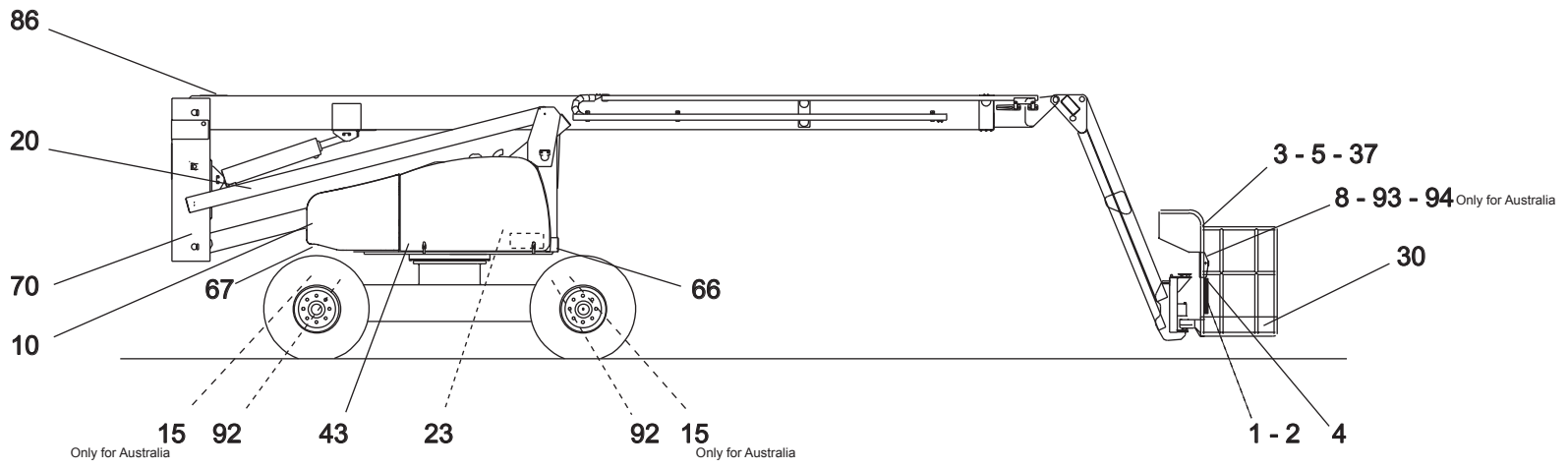
157P261370 a



157P261370 a



157P261370 a



157P261370 a

| English | Deutsch | Nederlands | Danska |
|--------------------------------------|------------------------------------|-------------------------------------|--|
| « HARNESS LOAD » LABEL | ETIKETT "LAST GESCHIRR" | ETIKET "BELASTING HARNAS" | ETIKET "LAST, SELE" |
| « ... REMOVE PIN » LABEL | ETIKETT "...SPINDEL ENTFERNEN" | ETIKET "...PEN VERWIJDEREN" | ETIKET "...FJERN TAP" |
| « 110 V SOCKET » LABEL | ETIKETT "110V-ANSCHLUß" | ETIKET "STEKKER 110V" | ETIKET "110 V-STIK" |
| « 240 V SOCKET » LABEL | ETIKETT "240V-ANSCHLUß" | ETIKET "STEKKER 240V" | ETIKET "240 V-STIK" |
| « BODY CRUSHING » LABEL | ETIKETT "QUETSCHUNGSGEFAHR KÖRPER" | ETIKET "VERPLETTINGSGEVAAR LICHAAM" | ETIKET "MASNING AF KROP" |
| « DIRECTION OF TRAVEL » LABEL | ETIKETT "FAHRTRICHTUNG" | ETIKET "TRANSLATIERICHTING" | ETIKET "KØRERETNING" |
| « DO NOT INTERCHANGE » LABEL | ETIKETT "NICHT AUSTAUSCHEN" | ETIKET "NIET VERWISSELEN" | ETIKET "MÅ IKKE OMBYTTES..." |
| « DO NOT PARK » PARK | ETIKETT "PARKVERBOT" | ETIKET "NIET PARKEREN" | ETIKET "PARKERING FORBUDT" |
| « ELECTROCUTION » LABEL | ETIKETT "BERÜHRUNGSGEFAHR" | ETIKET "ELEKTROCUTIE" | ETIKET "ELEKTRISK STØD" |
| « FILLING » LABEL | ETIKETT "FÜLLEN" | ETIKET "VULLEN" | ETIKET "PÅFYLDNING" |
| « HAND CRUSHING » LABEL | ETIKETT "QUETSCHUNGSGEFAHR HÄNDE" | ETIKET "VERPLETTINGSGEVAAR HANDEN" | ETIKET "MASNING AF HÅND" |
| « HAULOTTE » LABEL | ETIKETT "HAULOTTE" | ETIKET "HAULOTTE" | ETIKET "HAULOTTE" |
| « HYDRAULIC OIL » LABEL | ETIKETT "HYDRAULIKÖL" | ETIKET "HYDRAULISCHE OLIE" | ETIKET "HYDRAULIKOLIE" |
| « LUBRICATION » LABEL | ETIKETT "SCHMIERUNG" | ETIKET "SMERING" | ETIKET "SMØRING" |
| « MANUAL CONTROL » LABEL | ETIKETT "MANUELLE STEUERUNG..." | ETIKET "HANDBEDIENING..." | ETIKET "MANUEL STYRING" |
| « OPERATING INSTRUCTIONS » LABEL | ETIKETT "BEDIENUNGSHINWEISE" | ETIKET "GEBRUIKSINSTRUCTIES" | ETIKET "DRIFTSANVISNINGER" |
| « READ MANUAL » LABEL | ETIKETT "HANDBUCH LESEN" | ETIKET "HANDLEIDING LEZEN" | ETIKET "LÆS VEJLEDNING" |
| « WELDING EARTH » LABEL | ETIKETT "SCHWEIßMASSE" | ETIKET "LASSMASSA" | ETIKET "SVEJSEEMNE" |
| «SYMBOL SUMMARY» LABEL | ETIKETT "SYMBOLÜBERSICHT" | ETIKET "OVERZICHT SYMBOLEN" | ETIKET "OVERSIGT OVER SYMBOLER" |
| 1/2 PIVOTING AXIS | 1/2 SCHWENKACHSE | 1/2 DRAAIAS | HALVAKSELTAP |
| 37-WAY SOCKET/RECEPTACLE | 37-WEGE-ANSCHLUß | VOET 37 WEGEN | FODPLADE 37-POLET |
| 4WD HYDRAULIC BLOCK | HYDRAULIKBLOCK 4X4 | HYDRAULISCH BLOK 4X4 | HYDRAULIKBLOK 4X4 |
| ACOUSTIC POWER LABEL | ETIKETT „AKUSTIKLEISTUNG“ | LABEL “GELUIDSVERMOGEN” | MÆRKAT "LYDEEFFEKT" |
| ADDITIONAL SAFETY INSTRUCTIONS LABEL | ZUSÄTZLICHE SICHERHEITSHINWEISE | AANVULLING VEILIGHEIDSVORSCHRIFTEN | SUPPLERENDE SIKKERHEDSFORANSTALTNINGER |
| ADHESIVE BASE | HAFTSOCKEL | KLEEFSOKKEL | SELVKLÆBENDE SOKKEL |
| ADJUSTABLE BEND 135° JIC | AUSRICHTBARER KRÜMMER 135° JIC | RICHTBARE KNIE 135° JIC | DREJBAR BØJNING 135° JIC |
| ADJUSTABLE BEND 90° JIC | AUSRICHTBARER KRÜMMER 90° JIC | RICHTBARE KNIE 90° JIC | DREJBAR BØJNING 90° JIC |
| AIR FILTER | LUFTFILTER | LUCHTFILTER | LUFTFILTER |
| ANGLE SENSOR | ECKENSSENSOR | HOEKMETER | VINKELMÅLER |
| ASSEMBLING KIT | MONTAGEBAUSATZ | ASSEMBLAGEKIT | MONTERINGSSÆT |
| ATTACHMENT DEVICE | BEFESTIGUNG | BEVESTIGING | FASTGØRELSE |
| AUSTRALIA | AUSTRALIEN | AUSTRALISCHE | AUSTRALSKE |
| BACK PLATE COVER | Abdeckung hinteres Blech | PLAAT KAP ACHTER | Bagskærm |

| English | Deutsch | Nederlands | Danska |
|------------------------------|-------------------------------|-----------------------------|--------------------------------|
| BAG OF SEALS | SATZ DICHTUNGEN | PAKKINGSET | PAKNINGSSÆT |
| BALANCING VALVE | AUSGLEICHSVENTIL | BALANCEERKLEP | UDLIGNINGSVENTIL |
| BALL | KUGEL | BOL | CYLINDERHOVED |
| BASE | SOCKEL | SOKKEL | FUNDAMENT |
| BASE | ANSATZ | BASIS | FODPLADE |
| BASKET | KORB | KORF | KURV |
| BATTERY | BATTERIE | ACCU | BATTERI |
| BEARING | WÄLZLAGER | LAGER | KUGLELEJE |
| BEARING KIT | Satz Radlager | LAGERKIT | Sæt med rullelejer |
| BELT ADJUSTER | RIEMENSPANNER | RIEMSPANNER | REMSTRAMMER |
| BELT COVER | RIEMENKASTEN | DRIJFRIEMKAST | DRIVREMSDÆKSEL |
| BEND | KRÜMMER | KNIE | BØJNING |
| BLOCK | BLOCK | BLOK | BLOK |
| BLOCK MOVEMENTS | BEWEGUNGSBLOCK | BLOK BEWEGINGEN | BLOKBEVÆGELSE |
| BOOM POST | AUSLEGERSCHAFT | SCHACHT VAN DE BOOM | UDLIGGERSTANG |
| BOTTOM PAD | UNTERER GLEITSCHUH | ONDERSTE GLIJVOET | NEDERSTE BREMSEKLODS |
| BOTTOM PANEL | UNTERER STEUERSTAND | BEDIENINGSKAST LAAG | NEDERSTE STYREPANEL |
| BOTTOM PART | UNTERER BEREICH | ONDERSTE GEDEELTE | NEDERSTE DEL |
| BOX | SCHALTKASTEN | KAST | SKAB |
| BRACE | ZWISCHENSTÜCK | TUSSENSTUK | MELLEMSTYKKE |
| BRAKE SHAFT | BREMSWELLE | REM-AS | BREMSEAKSEL |
| BULB | GLÜHLAMPE | LAMP | PÆRE |
| BUNDLE | KABELSTRANG | BUNDEL | BUNDT |
| BUZZER | WARNSUMMER | GELUIDSSIGNAAL | BRUMMER |
| BUZZER | WARNHUPE | ALARMINRICHTING | ADVARSELSSIGNAL |
| CABLE | KABEL | KABEL | KABEL |
| CABLE BUNDLE FLASHING LIGHTS | KABELBÜNDEL BLINKLICHTER | BUNDEL SCHITTERLICHT | KABELNET, BLINKLYS |
| CABLE BUNDLE SENSOR | KABELBÜNDEL ANZEIGER | BUNDEL SENSOR | KABELNET, FØLER |
| CABLE CLIP | BEFESTIGUNGSSCHELLE | BEVESTIGINGSBEUGEL | FASTSPÆNDINGSKLEMME |
| CANADA LABELS | ETIKETTEN KANADA | LABELS CANADA | MÆRKATER CANADA |
| CARTRIDGE | KARTUSCHE | PATROON | INDSATS |
| CARTRIDGE BALANCING VALVE | AUSGLEICHSVENTIL IN KARTUSCHE | BALANCEERVENTIEL IN PATROON | UDLIGNINGSVENTIL I INDSATS |
| CASING | CARTER | KAST | BESKYTTELSESSKÆRM |
| CENTRE GEAR | ZENTRALGETRIEBE | CENTRAAL TANDWERK | MIDTERSTE TANDHJULSFORBINDELSE |
| CENTRING PAD | ZENTRIERKUFE | CENTREERBLOK | CENTRERINGSSKO |

| English | Deutsch | Nederlands | Danska |
|------------------------------|-----------------------------|---------------------------------|------------------------------------|
| CHAIN | KETTE | KETTING | KÆDE |
| CHAIN (DOUBLE SERIES) | SERIEN-DOPPELSHELLE | BEUGEL DUBBELE SERIE | KÆDE (DOBBELTMODEL) |
| CHAIN AND HOSES | KETTEN UND SCHLÄUCHE | KETTING EN FLEXIBELE ONDERDELEN | KÆDER OG SLANGER |
| CHASSIS BOX DRILLING | BOHRUNG GESTELLKASTEN | BORING SCHAKELKAST CHASSIS | GENNEBORING/ÅBNING AF CHASSISHUS |
| CHASSIS BOX UNIT | GESTELLKOFFER | GEHEEL CHASSIS SCHAKELKAST | CHASSISHUS SAMLET |
| CHASSIS ELECTRICITY | STROM GESTELL | ELEKTRICITEIT CHASSIS | ELEKTRICITET CHASSIS |
| CIRCUIT SELECTOR SWITCH | KREISSCHALTER | CIRCUITSELECTOR | KREDSLØBSVÆLGER |
| CLOSING SHEET | ABSCHLUSSBLECH | SLUITINGSPLAAT | AFLUKNINGSPLADE |
| COIL | DROSSEL | SPOEL | SPOLE |
| COLLAR | SCHELLE | BAND | KLEMME |
| COMMON LABELS | GEMEINSCHAFTSETIKETTEN | UNIVERSELE LABELS | FÆLLES MÆRKATER |
| COMPENSATION INPUT CYLINDER | EINFAHR AUSGLEICH SZYLINDER | ONTVANGENDE COMPENSATIECILINDER | KOMPENSATIONS MODTAGERCYLINDER |
| COMPENSATION OUTPUT CYLINDER | AUSFAHR AUSGLEICH SZYLINDER | UITGAANDE COMPENSATIECILINDER | KOMPENSATIONSSENDER CYLINDER |
| COMPRESSION SPRING | DRUCKFEDER | COMPRESSIEVEER | KOMPRESSIONS FJEDER |
| COMPUTER | RECHNER | COMPUTER | REGNEMASKINE |
| CONNECTING ROD | PLEUELSTANGE | DRIJFSTANG | PLEJLSTANG |
| CONNECTING ROD AXLE | PLEUELSTANGENACHSE | AS VAN VERBINDINGSSTANG | PLEJLSTANGSAKSEL |
| CONNECTING SOCKET | REDUZIERSTÜCK M-F JIC | REDUCTIE M-F JIC | REDUKTIONSRING M-F JIC |
| CONTACT BLOCK | SCHALTERKÖRPER | COMPLEET HUIS | KOMPLET KAPPE |
| CONTACT SWITCH SUPPORT | SCHÜTZHALTER | STEUN CONTACTSLUITER | KONTAKTUNDERLAG |
| CONTACTOR | SCHALTSCHÜTZ | CONTACTSLUITER | KONTAKT |
| CONTROL PIN | STEUERACHSE | AANDRIJFAS | DRIVAKSEL |
| COPPER SEAL | KUPFERVERBINDUNG | KOPERPAKKING | KOBBERSAMLING |
| COUNTERWEIGHT | GEGENGEWICHT | TEGENGEWICHT | KONTRAVÆGT |
| COVER | DECKEL | DEKSEL | DÆKSEL |
| COVER HINGE | ABDECKUNGSSCHARNIER | SCHARNIER KAP | HÆNGSEL TIL SKÆRM |
| DENMARK LABELS | ETIKETTEN DÄNEMARK | LABELS DENEMARKEN | MÆRKATER DANMARK |
| DETACHABLE CONICAL HUB | ABNEHMBARE KEGELNABE | CONISCHE VASTE NAAF | AFTAGELIGT KONISK LEJE |
| DEUTZ MOTOR | DEUTZ MOTOR | DEUTZ MOTOR | DEUTZ MOTOR |
| DIESEL MACHINE LABEL | ETIKETT "DIESELMASCHINE" | OPSCHRIFT "DIESEL MACHINE" | MÆRKAT "DIESELDREVEN MASKINE" |
| DIFFERENTIAL CIRCUIT BREAKER | LEISTUNGSSCHUTZSCHALTER | DIFFERENTIËLE STROOMONDERBREKER | DIFFERENTIALAFBRYDER |
| DIRECTION CENTRE PIN | ZENTRALE LENKACHSE | CENTRALE STUURAS | MIDTERAKSEL TIL RETNINGSREGULERING |
| DIRECTION LEVER | LENKHEBEL | STUURHENDEL | LØFTESTANG TIL RETNING |
| DIRECTION PIVOT | LENKZAPFEN | STUURPEN | STYRINGSAKSEL |
| DIRECTION REDUCER | DREHREGLER | VERTRAGER ORIËNTATIE | BEGRÆNSNING AF RETNINGSREGULERING |

| English | Deutsch | Nederlands | Danska |
|--------------------------------------|----------------------------------|---------------------------------------|----------------------------------|
| DISTRIBUTION MODULE | VERTEILERMODUL | DISTRIBUTIEMODULE | FORDELINGSMODUL |
| DO NOT STAND LABEL | ETIKETT "NICHT DRAUFSTELLEN" | ETIKET "NIET LEUNEN" | ETIKET "TRÆD IKKE" |
| DOUBLE-AXIS CONTROLLER | STEUERHEBEL 2 ACHSEN | SEINGEVER 2 ASSEN | MANIPULATOR 2 AKSEL |
| DOUBLE-POLE TOGGLE SWITCH | ZWEIPOLIGER SCHALTER MIT HEBEL | TWEEPOLIGE SCHAKELAAR MET HENDEL | TO-POLET VIPPEAFBRYDER |
| DRAINAGE PLUG | ABLABSTOPFEN | AFTAPPLUG | TØMNINGSSTUDS |
| ELECTICITY CUPBOARD SUPPORT | TRÄGER SCHALTSCHRANK | STEUN ELEK. KOFFER | HOLDER TIL ELSKAB |
| ELECTRIC PUMP CONTACT SWITCH FITTING | EINBAU SCHALTSCHÜTZ ELEKTROPUMPE | MONTAGE ELEKTROPOMP SCHAKELAAR | MONTERING ELEKTROPUMPEKONTAKT |
| ELECTRICAL CABINET | SCHALTKASTEN | ELEKTRISCHE KAST | KONTAKTSKAB |
| ELECTRICITY | ELEKTRIZITÄT | ELEKTRICITEIT | ELEKTRICITET |
| ELECTROPUMP UNIT | ELEKTROPUMPE | ELEKTROPOMPGROEP | ELEKTROPUMPE-AGREGATER |
| ELECTROVALVE BUNDLE | Ventilaggregat | BUNDEL ELEKTROKLEP | Kabelnet magnetventil |
| EMPTYING AND FILLING | ÖLWECHSEL (LEEREN UND FÜLLEN) | AFLATEN EN VULLEN | AFTAPNING OG PÅFYLDNING |
| ENGINE UNIT | MOTORANLAGE | MOTORGROEP | MOTORAGGREGAT |
| EQUAL T-PIECE JIC | GLEICHSEITIGES T-STÜCK JIC | GELIJKE T JIC | T-STYKKER JIC |
| EXHAUST | AUSPUFF | UITLAAT | UDSTØDNING |
| EXPLOSION RISK LABEL | ETIKETT "EXPLOSIONSGEFAHR" | OPSCHRIFT "ONTPLOFFINGSGEVAAR" | ETIKET "EKSPLOSIONSFARE" |
| FILLING PLUG | FÜLLSTOPFEN | VULDOP | OLIEPÅFYLDNINGSSTUDS |
| FILTER ELEMENT | FILTERELEMENT | FILTERELEMENT | FILTERELEMENT |
| FILTER SUPPORT | FILTERTRÄGER | STEUN FILTER | FILTERHOLDER |
| FINLAND LABELS | ETIKETTEN FINNLAND | FINSE OPSCHRIFTEN | ETIKETTER (FINSKE) |
| FIXING PLATE | BEFESTIGUNGSPLATTE | BEVESTIGINGSPLAAT | FASTSPÆNDINGSPLADE |
| FLAP ELECTROVALVE | ELEKTRISCHES KLAPPENVENTIL | ELEKTROVENTIEL MET AFSLUITER | ELEKTRISK STYRET VENTIL MED KLAP |
| FLASHING LIGHT | BLINKFEUER | SCHIJNLICHT | BLINKLYS |
| FLAT WASHER | FLACHE UNTERLEGSSCHEIBE | PLATTE RING | FLAD SKIVE |
| FLAT-END SCREW | SCHRAUBE MIT STUMPFER KUPPE | BOUT MET VLAKKE PUNT | SKRUE MED FLQDT HOVED |
| FLEXIBLE | SCHLAUCH | FLEXIBELE VERBINDING | SLANGE |
| FLEXIBLE PIN | FEDERSTIFT | SPLITPEN | FLEKSIBEL STIFT |
| FLOOR HEIGHT + LOAD LABEL | ETIKETT AUSLEGERHÖHE + LAST | OPSCHRIFT HOOGTE PLATFORM + BELASTING | ETIKET GULVHØJDE OG -BELASTNING |
| FLOOR HEIGHT + LOAD LABEL | ETIKETT AUSLEGERHÖHE + LAST | OPSCHRIFT HOOGTE PLATFORM + BELASTING | ETIKET GULVHØJDE OG -BELASTNING |
| FLOW DIVIDER | DURCHSATZTEILER | VERMOGENSDELER | FLOWFORDELER |
| FOAM FILLING | FÜLLSCHAUM | VULLEN SCHUIM | SKUMFYLD |
| FRAME COWLING | ABDECKUNG GESTELL | KAPPEN FRAME | SKÆRM TIL CHASSIS |
| FRANCE LABELS | ETIKETTEN FRANKREICH | LABELS FRANKRIJK | MÆRKATER FRANKRIG |
| FUEL TANK | KRAFTSTOFFTANK | BRANDSTOFREVERSOIR | BRÆNDSTOFSTANK |

| English | Deutsch | Nederlands | Danska |
|------------------------------------|-------------------------------------|---|-----------------------------------|
| FUSE | SICHERUNG | ZEKERING | SIKRING |
| FUSE HOLDER | SICHERUNGSHALTER | ZEKERINGHOUDER | SIKRINGSHOLDER |
| GAITER | GEBLÄSE | BALG | BLÆSER |
| GANTRY ASSY. | BÜHNE | TOTALE GONDEL | KURVEUDSTYR |
| GANTRY DRILLING | BOHRUNG SCHALTKASTEN | BORING KAST | GENNEBORING AF KASSE |
| GAS SPRING | GASFEDER | GASVEER | GASFJEDER |
| GB LABELS | ETIKETTEN GB | ENGELSE OPSCHRIFTEN | ETIKETTER (ENGELSKE) |
| GENERATOR | GENERATOR | WISSELSTROOMGENERATOR | GENERATOR |
| GREEN ARROW | GRÜNER PFEIL | GROENE PIJL | GRØN PIL |
| GREEN INDICATOR LIGHT | GRÜNE LED | GROENE VERKLIKKERLICHT | GRØN KONTROLLAMPE |
| GROMMET | DRAHTDURCHFÜHRUNG | DRAADGELEIDER | SADELMAGERNÅL |
| GUIDE PLATE | FÜHRUNGSBLECH | GELEIDINGSPLAAT | GLIDEPLADE |
| HANDLE | GRIF | GREEP | HÅNDTAG |
| HARNESS FIXING PART | BEFESTIGUNG DES GESCHIRRS | BEVESTIGING VAN HET HARNAS | FASTSPÆNDING AF SELE |
| HEAD | KOPF | KOP | HOVED |
| HEX CAP SCREW | SCHRAUBE MIT RINGSCHNEIDE | BOUT MET PUNT BAK | SKRUE MED SEKSKANTET HOVED |
| HOLDER | HALTERUNG | STEUN | KONSOL |
| HOLLAND LABELS | ETIKETTEN HOLLAND | NEDERLANDSE OPSCHRIFTEN | ETIKETTER (HOLLANDSKE) |
| HOSE PROTECTIVE PLATE | Schutzblech Schlauch | BESCHERMINGSPLAAT FLEXIBEL | Plade rørbeskyttelse |
| HOSE RECORDER | ZEITMESSER | URENTELLER | TIMETÆLLER |
| HUB | NABE | NAAF | NAV |
| HYDRAULIC + ELECTRIC ROTATING SEAL | DREHVERBINDUNG HYDRAULIK / ELEKTRIK | HYDRAULISCHE + ELEKTRIDSCHIE DRAAIENDE VERBINDING | ROTATIONSLED (HYDRAULIK+ELEKTRIK) |
| HYDRAULIC COOLER | HYDRAULISCHER KÜHLKÖRPER | HYDRAULISCH KOELSYSTEEM | HYDRAULIKKØLEANLÆG |
| HYDRAULIC PUMP | HYDRAULIKPUMPE | HYDRAULISCHE POMP | HYDRAULISK PUMPE |
| HYDRAULIC REFRIGERANT | HYDRAULISCHES KÜHLMITTEL | HYDRAULISCHE KOELVLOEISTOF | HYDRAULIKKØLER |
| HYDRAULIC RESERVOIR | WASSERTANK | HYDRAULISCH RESERVOIR | HYDRAULIKTANK |
| HYDRAULIC TUBE | HYDRAULIKROHR | HYDRAULISCHE BUIS | HYDRAULIKRØR |
| HYDRAULIC UNIT SUPPORT PLATE | Hydraulikblock-Trägerblech | STEUNPLAAT HYDR. BLOK | Støtteplade hydraulikblok |
| HYDRAULICS | HYDRAULIK | HYDRAULISCH | HYDRAULIK |
| INDICATOR | ANZEIGER | INDICATOR | INDIKATOR |
| INPUT PLATE | ZUGANGSPLATTE | INLAATPLAAT | INDGANGSPLADE |
| INTERMEDIARY COLLAR | Verbindungsbügel | MIDDELSTE BEUGEL | Mellemste krave |
| INTERNAL COMBUSTION ENGINE | THERMOMOTOR | THERMISCHE MOTOR | TERMISK MOTOR |
| ITALY LABELS | ETIKETTEN ITALIEN | LABELS ITALIË | MÆRKATER ITALIEN |
| JIB + PLATFORM | PENDELARM UND BÜHNE | SLINGER + KORF | PENDELAKSEL + KURV |

| English | Deutsch | Nederlands | Danska |
|-------------------------------|-------------------------------------|-----------------------------|---------------------------------------|
| JIB ASSEMBLY | PENDELARMEINHEIT | GEHEEL SLINGER | HEL FJERNUDLIGGER |
| JIB LINK PART | VERBINDUNGSSTÜCK PENDELARM | VERBINDINGSSTUK PENDEL | FORBINDELSSESSTYKKE TIL FJERNUDLIGGER |
| JIC NUT | MUTTER JIC | MOER JIC | JIC MØTRIK |
| KEY | Schlüssel | SLEUTEL | Nøgle |
| LABELS | ETIKETTEN | ETIKETTEN | ETIKETTER |
| LEFT TOP COVER | OBERE ABDECKUNG LINKS | BOVENSTE KAP LINKS | ØVERSTE VENSTRE SKÆRM |
| LEFT TUBULAR FRAME | ROHRRAHMEN LINKS | BUISKADER LINKS | VENSTRE RØRRAMME |
| LEFT WHEEL | LINKES RAD | LINKER WIEL | VENSTRE HJUL |
| LENGTH SENSOR | Längenmesser | LENGTESENSOR | Længdeføler |
| LEVEL | STAND | PEIL | STAND |
| LEVER-OPERATED SEALED LATCH | ABGEDICHTETE KLINKE MIT HEBEL | DICHTE PAL MET HENDEL | SIKKERHEDSLÅS MED VIPPEANORDNING |
| LIFT CYLINDER | HUBZYLINDER | HEFCILINDER | LØFTECYLINDER |
| LIFTING BEAM | TRAVERSE | HEFBALK | VIPPEARM |
| LIGHT | LED | LAMP | KONTROLLAMPE |
| LINK PIECE | VERBINDUNGSSTÜCK | VERBINDINGSSTUK | FORBINDELSSESSTYKKE |
| LOAD ON ONE WHEEL | LAST AUF EINEM RAD | BELASTING OP 1 WIEL | BELASTNING PÅ ET HJUL |
| LOCK NUT | GEGENMUTTER | CONTRAMOER | KONTRAMØTRIK |
| LOGO | GRAPHIK | OPSCHRIFT | SKRIFT |
| LOWER COLLAR | Unterer Bügel | ONDERSTE BEUGEL | Nederste krave |
| LUGGED COLLAR | ÖSENRING | BEUGEL MET OOR | VINGESKRUE |
| MALE BEND 90 JIC | 90° JIC KRÜMMER | BOCHT 90° JIC | UDVENDIGT KNÆK 90° JIC |
| MALE UNION PIECE JIC | ANSCHLUßSTÜCK MIT AUBENGEWINDE JIC | INTREDENDE VERBINDING JIC | SAMLING HAN JIC |
| MALE UNION PIECE ORFS | ANSCHLUßSTÜCK MIT AUBENGEWINDE ORFS | INTREDENDE VERBINDING ORFS | SAMLING HAN ORFS |
| MANUFACTURER'S PLATE | HERSTELLERSCHILD | CONSTRUCTIEPLAATJE | TYPESKILT |
| MECHANICAL GENERATOR SUPPORT | TRÄGER MECHANISCHER GENERATOR | STEUN MECHANISCHE GENERATOR | HOLDER TIL MEK. GENERATOR |
| MINIMESS TAP | MINIMESS-ANSCHLUß | MINIMESS AANSLUITING | STIK |
| MOTOR | MOTOR | MOTOR | MOTOR |
| MOTOR GUIDING AXLE | ANTRIEBSFÜHRUNGSACHSE | DRIJF/STUURAS | MOTORAKSEL |
| MOTOR KIT | MOTORKIT | KIT MOTOR | MOTORSÆT |
| MOUNTING OF POWER SUPPLY UNIT | MONTAGE GENERATOR | MONTAGE GENERATOR | MONTERING GENERATOR |
| MUSHROOM-HEADED BUTTON | FAUSTSCHLAGKNOPF | DRUKKNOP VUISSLAG | HÅNDPUMPE-KNAP |
| NOTCHED CONNECTION | RASTKUPPLUNG | GEKARTELDE VERBINDING | FORBINDELSSESLED MED INDSNIT |
| NUT | MUTTER | MOER | MØTRIK |
| OIL LEVEL | ÖLSTAND | OLIEPEIL | OLIESTAND |

| English | Deutsch | Nederlands | Danska |
|---------------------------|----------------------------------|---|-----------------------------|
| ONE-WAY VALVE | RÜCKSCHLAGKLAPPE | TERUGSLAGKLEP | KONTRAVENTIL |
| OPERATOR'S MANUAL | BEDIENUNGS- UND WARTUNGSHANDBUCH | BESTURINGS- EN ONDERHOUDSINSTRUKTIES | EU-BETJENINGSVEJLEDNING |
| OPERATOR'S MANUAL | BEDIENERHANDBUCH | OPERATOR'S MANUAL | BRUGER MANUAL |
| OPTION | OPTION | OPTIE | EKSTRAUDSTYR |
| O-RING | O-RINGDICHTUNG | AFDICHTRING | O-RING |
| PACKING BOX | STOPFBÜCHSE | PAKKINGBUS | PAKDÅSE |
| PAD | UNTERLAGE | GLIJDER | KLODS |
| PAD/CASE | KUFE/KASTEN | REMSCHOEN / ZINKSTUK | SLIDESKO/KASSE |
| PANEL BUNDLE | Bündel Konsole | BUNDEL BEDIENINGSPPOST | Kabelnet betjeningspult |
| PENDULAR RAISING CYLINDER | PENDELARMANHUBZYLINDER | HEFCILINDER SLINGER | PENDULHÆVNINGSCYLINDER |
| PERMITTED LOAD LABEL | ETIKETT HÖCHSTLAST | OPSCHRIFT "TOEGESTANE BELASTING" | MÆRKAT "TILLADT BELASTNING" |
| PILOTED VALVE | GESTEUERTE Klappe | AANGESTUURDE KLEP | STYRET VENTIL |
| PIN | ACHSE | AS | AKSEL |
| PIN COVER | ACHSKAPPE | ASKAP | HÆTTE TIL AKSEL |
| PISTON | KOLBEN | ZUIGER | STEMPEL |
| PLASTIC SPIRAL HOSE | ELASTISCHE KUNSTSTOFFSPIRALE | KUNSTSTOF SPIRAALSLANG | FLEKSIBEL PLASTSPIRAL |
| PLATE | PLATTE | PLAAT | PLADE |
| PLATE | PLATTE | PLAAT | PLADE |
| PLATFORM CABINET | SCHALTKASTEN BÜHNE | KAST GONDEL | EL-KASSE KURV |
| PLATFORM CONTROL PANEL | SCHALTPULT ARBEITSBÜHNE | BEDIENINGSKAST HOOGWERKER | BETJENINGSPULT I KURV |
| PLUG | STOPFEN | PLUG | STUDS |
| PLUG SOCKET | ANSCHLUß | AANSLUITING | STIK |
| PORTUGAL LABELS | ETIKETTEN PORTUGAL | PORTUGESE OPSCHRIFTEN | ETIKETTER (PORTUGISISKE) |
| POSITION SWITCH | POSITIONSSCHALTER | POSITIESCHAKELAAR | STILLINGSKOBLE |
| POSITION SWITCH | POSITIONSSCHALTER | POSITIESCHAKELAAR | STILLINGSKOBLE |
| POSITION VALVE | VERTEILER | VERDELER | FORDELER |
| POWER JIB | AUSLEGERSTROM | ELEKTRICITEIT MAST | ELSYSTEM, FJERNUDLIGGER |
| POWER SUPPLY KIT | GENERATORKIT | KIT GENERATOR | GENERATORSÆT |
| POWER SWITCH | STROMSCHALTER | VERMOGENSSCHAKELAAR | EFFEKTAFBRYDER |
| PRESSURE FILTER | DRUCKFILTER | DRUKFILTER | TRYKFILTER |
| PRESSURE LIMITER | DRUCKBEGRENZER | DRUKBEGRENZER | TRYKBEGRÆNSER |
| PRESSURE SENSOR | DRUCKSENSOR | DRUKMETER | TRYKFØLER |
| PROTECTIVE COVER | SCHUTZHAUBE | BESCHERMKAP | BESKYTTELSESSKÆRM |
| PROTECTIVE GRID | SCHUTZGITTER | BESCHERMINGSROOSTER | BESKYTTELSESGITTER |
| PROTECTIVE PLATE | SCHUTZPLATTE | BESCHERMINGSPLAAT | BESKYTTELSESPLADE |

| English | Deutsch | Nederlands | Danska |
|--------------------------------------|--|--------------------------------|-------------------------------|
| PULLEY 1 GROOVE | 1 DRAHTSEILROLLE | POELIE 1 GROEF | TRISSE 1 SPOR |
| PVG SUPPORT | PVG-TRÄGER | PVG STEUN | BÆRESTYKKE PVG |
| RADIATOR SUPPORT | Stütze Heizung | STEUN RADIATOR | Kølerholder |
| RAISING CYLINDER | ANHUBZYLINDER | OPRICHTCILINDER | LØFTECYLINDER |
| RANGE LIMITER CONTACT SWITCH | SCHÜTZ REICHWEITENBEGRENZUNG | CONTACTSLUITER BEREIKBEGRENZER | KONTAKT RÆKKEVIDDEBEGRÆNSNING |
| RED ARROW | ROTER PFEIL | RODE PIJL | RØD PIL |
| RED LIGHT INDICATOR | ROTE KONTROLLEUCHTE | ROOD VERKLIKKERLAMPJE | RØD INDIKATORLAMPE |
| REDUCER | GETRIEBE | VERTRAGER | REDUKTOR |
| REDUCER PACKING BOX | STOPFBÜCHSE GETRIEBE | PAKKINGSBUS REDUCTOR | PAKDÅSE REDUKTOR |
| REDUCTION | UNTERSETZUNG | VERTRAGING | REDUKTION |
| REGULAR ORIENT. TEE CONNECTION (JIC) | GLEICHSCHENKLIGES ORIENTIERTES T-STÜCK JIC | DRAAIBARE KLEM GELIJK JIC | RET. T-FORBINDELSE, ALM. JIC |
| RELAY | RELAIS | RELAIS | RELÆ |
| RESERVOIR | TANK | RESERVOIR | TANK |
| RETAINING BRACKET | BEFESTIGUNGSEISEN | BEVESTIGINGSPOOT | FASTGØRELSESTAP |
| REV. ORIENT. TEE CONNECTION (JIC) | ORIENTIERTER KREUZKOPF JIC | DRAAIBARE KLEM RENV. JIC | RET. T-FORBINDELSE, OMV. JIC |
| REVOLVING JOINT | DREHVERBINDUNG | DRAAIENDE VERBINDING | ROTATIONSLED |
| RFA LABELS | ETIKETTEN DEUTSCHLAND | DUITSE OPSCHRIFTEN | ETIKETTER (TYSKE) |
| RIGHT TOP COVER | OBERE ABDECKUNG RECHTS | BOVENSTE KAP RECHTS | ØVERSTE HØJRE SKÆRM |
| RIGHT WHEEL | RECHTES RAD | RECHTER WIEL | HØJRE HJUL |
| RIGHT-HAND STANDARD LUBRICATOR | RECHTE STANDARD-SCHMIERVORRICHTUNG | STANDAARD SMEERMIDDEL RECHTS | HØJRE STANDARDSMØRER |
| RIM | FELGE | VELG | FÆLG |
| RING | RING | RING | RING |
| ROLLING FRAME | ROLLGESTELL | RIJDEND CHASSIS | RULLENDE CHASSIS |
| ROTARY CYLINDER / JACK | DREHZYLINDER | DRAAIENDE VIJZEL | DREJECYLINDER |
| ROTATING JOINT CABLING | VERDRAHTUNG DREHVERBINDUNG | BEKABELING DRAAIPAKKING | KABELFØRING DREJESAMLING |
| RUBBER WASHER | FLEXIBLE UNTERLEGSCHIEBE | ELASTISCHE RING | SIKRINGSSKIVE |
| SAFETY ON PLUG | SICHERUNG AM STOPFEN | BEVEILIGING OP DOP | SIKRINGSANORDNING PÅ DÆKSEL |
| SCREW | SCHRAUBE | SCHROEF | SKRUE |
| SCREW COLLAR | SCHRAUBENSCHELLE | SCHROEFKLEM | SPÆNDEBÅND |
| SCREWED VALVE | SCHRAUBVENTIL | VASTGESCHROEFDE KLEP | VENTIL. SKRUE |
| SEAL | VERSCHLUß | AFSLUITER | PAKNINGSVENTIL |
| SEAL | DICHTUNG | PAKKING | SAMLING |
| SEALING RING | DICHTUNG | PAKKING | TÆTNING |
| SELF-LOCKED NUT | SELBSTGESICHERTE MUTTER | ZELFREMMEDE MOER | MØTRIK MED AUTOMATISK STOP |

| English | Deutsch | Nederlands | Danska |
|---------------------------|---------------------------------|-----------------------------------|-----------------------------------|
| SELF-STOPPING METAL NUT | SELBSTSTOPPENDE MUTTER METALL | ZELFREMRENDE METALEN MOER | SELVLÅSENDE MØTRIK |
| SEMI-FLANGE | HALBFLANSCH | HALVE FLENS | HALVFLANGE |
| SENSOR | SENSOR | SENSOR | FØLER |
| SENSOR MAGNET | SENSORMAGNET | MAGNEET VOOR SENSOR | MAGNET TIL FØLER |
| SENSOR SUPPORT | SENSORTRÄGER | STEUN SENSOR | FØLERHOLDER |
| SILENTBLOC | SILENTBLOC | SILENTBLOK | SILENTBLOC |
| SINGLE-AXIS CONTROLLER | STEUERHEBEL 1 ACHSE | SEINGEVER 1 ASSEN | MANIPULATOR 1 AKSEL |
| SINGLE-POLE TOGGLE SWITCH | EINPOLIGER SCHALTER MIT HEBEL | ENKELPOLIGE SCHAKELAAR MET HENDEL | ENPOLET VIPPEAFBRYDER TIL |
| SINTERED DISC | FRITTENSCHIEBE | FRITSCHIIF | SINTRET PLADE |
| SLEEVE | MUFFE | MOF | BØSNING |
| SLEW RING | DREHKRANZ | ORIËNTATIEKROON | RETNINGSREGULERINGSKRAVE |
| SLIDING BAR | SCHUTZGLEITSTANGE /-GELÄNDER | SCHUIFSTANG | GLIDESTANG |
| SLOTTED SCREW | SCHLITZSCHRAUBE | GESPLETEN SCHROEF | SKRUE MED KÆRV |
| SMOOTH MALE SLOT | GLATTER BÜGEL | GLADDE INTREDENDE BEUGEL | AFRETNING |
| SNIFFER | LÜFTUNGSVENTIL | ONTLUCHTER | LUFTVENTIL |
| SOCKET | ZEIGERBEFESTIGUNG | ENBUS | BØSNING |
| SOLENOID VALVE | ELEKTROVENTIL | ELEKTROVENTIEL | ELEKTROVENTIL |
| SPAIN LABELS | ETIKETTEN SPANIEN | SPAANSE OPSCHRIFTEN | ETIKETTER (SPANSKE) |
| SPARE FUSE HOLDER | Austauschsicherungs-Träger | VERVANGBARE BUISDRAGER | Ekstra sikringsholder |
| SPARE PARTS CATALOGUE | ERSATZTEILKATALOG | CATALOGUS VERVANGONDERDELEN | RESERVEDELSKATALOG |
| SPIRAL RING | SPIRALRING | SPIRAALRING | SPIRALRING |
| SPOOL | STEUERSCHIEBER | DISTRIBUTIESCHUIF | FORDELINGSGLIDER |
| SPRING | FEDER | VEER | FJEDER |
| STANDARD LUBRICATOR 45 | 45° STANDARD-SCHMIERVORRICHTUNG | STANDAARD SMEERMIDDEL 45° | STANDARD SMØRER 45° |
| STEEL DISC | STAHLPLATTE | STALEN SCHIIF | STÅLPLADE |
| STEERING BAR | LEITSTANGE | STUURSTANG | STYRESTANG |
| STEERING CYLINDER | FÜHRUNGSZYLINDER | STUURCILINDER | KØRSELSCYLINDER |
| STEERING PIN SLOT | ACHSE LENKBÜGEL | AS STUURBEUGEL | KAPPEAKSEL TIL RETNINGSREGULERING |
| STOP PLATE | SICHERUNGSPLATTE | STOPPLAAT | STOPPLADE |
| SUB-FRAME | GESTELL | CHASSIS | CHASSIS |
| SUPPORT LOWER ARM PIN | Achse unterer Arm Stütze | AS ONDERSTE ARM STEUN | Aksel nederste udligger holder |
| SUPPORT LUG | TRÄGERFUSS | HAAK STEUN | STØTTEUNDERSTEL |
| SUPPORT UPPER ARM PIN | Achse oberer Arm Stütze | AS BOVENSTE ARM STEUN | Aksel øverste udligger holder |
| SWEDEN LABELS | ETIKETT SCHWEDEN | LABELS ZWEDEN | MÆRKATER SVERIGE |
| TANK FIXTURE | Tankbefestigung | BEVESTIGING TANK | Fastspænding beholder |

| English | Deutsch | Nederlands | Danska |
|------------------------------------|--|--|---|
| TELESCOPE | TELESSKOP | TELESCOOP | TELESKOP |
| TELESCOPE RETRACTED CONTACT SWITCH | SCHÜTZ AUSLEGER EINFAHREN | CONTACTSLUITER INSCHUIVING TELESCOOPARM | KONTAKT FOR INDTRÆKNING AF TELESKOPARM |
| TELESCOPIC ACTION JACK | AUSFAHRZYLINDER | INSCHUIFCILINDER | TELESKOPCYLINDER |
| TELESCOPIC BOOM | TELESKOP AUSLEGER | UITSCHUIFBARE GIEK | TELESKOPUDLIGGER |
| THERMAL SWITCH | THERMOSCHALTER | THERMOCONTACTSLUITER | TERMOKONTAKT |
| THIN NUT | UNTERE MUTTER | ONDERMOER | MØTRIK LAV |
| THREADED ROD | GEWINDESTANGE | SLANG | GEVINDTAP |
| TILT | NEIGUNG | OVERHELLING | HÆLDNING |
| TIRE | REIFEN | BAND | DÆK |
| TOOTH LOCK WASHER | ZAHNSCHEIBE | GETANDE RING | SPÆNDETANDSKIVE |
| TRUNKING | RINNE | GOOTJE | SLISK |
| TURN KNOB HEAD | DREHSCHALTERKOPF | KOP VOOR DRAAIKNOP | DREJEKNAPHOVED |
| TURNTABLE BOX | AUFBAUKASTEN | KOFFER TOREN | SØJLESKAB |
| TURNTABLE ELECTRICITY | STROM AUFBAU | ELEKTRICITEIT TOREN | ELEKTRICITET TÅRN |
| TURNTABLE LOWER ARM PIN | Achse unterer Arm Werkzeugträger | AS ONDERSTE ARM TOREN | Aksel nederste udligger søjle |
| TURNTABLE UPPER ARM PIN | Achse oberer Arm Werkzeugträger | AS BOVENSTE ARM TOREN | Aksel øverste udligger søjle |
| TURRET | OBERWAGEN | TOREN | TÅRN |
| TURRET COWLING | ABDECKUNG AUFBAU | TORENKAPPEN | SKÆRM TIL TÅRN |
| TURRET CUT-OFF | ABSCHALTUNG BÜHNE | VERBREKING TOREN | ADSKILLELSE TÅRN |
| TURRET SUB-FRAME | AUFBAUGESTELL | CHASSIS TOREN | CHASSIS, SØJLE |
| TURRET UNIT | GRUPPE AUFBAU | GROEP TOREN | SØJLEGRUPPE |
| UNION PIECE | ANSCHLUß | VERBINDING | SAMLING |
| UNION PIECE JIC | GLEICHSEITIGES VERBINDUNGSSTÜCK JIC | GELIJKE VERBINDING JIC | LIGE SAMLING JIC |
| UNION PIECE T.C JIC | GLEICHSEITIGES VERBINDUNGSSTÜCK T.C JIC | GELIJKE VERBINDING T.C JIC | LIGE SAMLING T.C JIC |
| USA LABELS | ETIKETTEN USA | USA ETIKETTEN | ETIKETTER (USA) |
| VALVE | HAHN | AFSLUITER | HANE |
| VALVE | KLAPPE | KLEP | VENTILKLAP |
| VEE-BELT | KEILRIEMEN | V-RIEM | KILEREM |
| VOLTAGE LABEL | ETIKETT "STROMSTÄRKE" | OPSCHRIFT "VOLTAGE" | ETIKET "SPÆNDING" |
| WASHER | UNTERLEGSCHIEBE | RING | SKIVE |
| WEAR PAD | VERSCHLEIßUNTERLAGE | SLIJTAGELIJSCHOEN | SLIDSKO |
| WEARING (OF) SAFETY HARNESS | TRAGEN EINES GESCHIRRS | DRAAG TUIG | BRUG SIKKERHEDSSELE |
| WEIGHING CARD | KARTE WIEGEVORRICHTUNG | WEEGKAART | VEJEKORT |
| WHEEL REDUCER | RADGETRIEBE | WIELREDUCTOR | REDUKTOR TIJ HJUL |

| English | Español | Italiano | Português |
|--------------------------------------|---|---|---------------------------------------|
| « HARNESS LOAD » LABEL | "ETIQUETA "CARGA ATALAJE" -" | ETICHETTA "CARICA IMBRACATURA" | ETIQUETA "CARGA CINTO DE SEGURANÇA" |
| « ... REMOVE PIN » LABEL | "ETIQUETA "RETIRAR HUSILLO" | ETICHETTA "...TOGLIERE IL PUNZONE" | ETIQUETA "...RETIRAR PINO" |
| « 110 V SOCKET » LABEL | ETIQUETA "TOMA 110V" | ETICHETTA "PRESA 110 V" | ETIQUETA "TOMADA 110V" |
| « 240 V SOCKET » LABEL | ETIQUETA "TOMA 240V" | ETICHETTA "PRESA 240 V" | ETIQUETA "TOMADA 240V" |
| « BODY CRUSHING » LABEL | ETIQUETA "APLASTAMIENTO CUERPO" | ETICHETTA "SCHIACCIAMENTO CORPO" | ETIQUETA "ESMAGAMENTO CORPO" |
| « DIRECTION OF TRAVEL » LABEL | "ETIQUETA "SENTIDO TRANSLACIÓN" | ETICHETTA "SENSO TRASLAZIONE" | ETIQUETA "SENTIDO TRANSLAÇÃO" |
| « DO NOT INTERCHANGE » LABEL | "ETIQUETA "NO INTERCAMBIAR" | ETICHETTA "NON SCAMBIARE" | ETIQUETA "NÃO PERMUTAR" |
| « DO NOT PARK » PARK | "ETIQUETA "NO APARCAR" | ETICHETTA "NON SOSTARE" | ETIQUETA "NÃO ESTACIONAR" |
| « ELECTROCUTION » LABEL | ETIQUETA "ELECTROCUCIÓN" | ETICHETTA "ELETTRUCUZIONE" | ETIQUETA "ELECTROCUSSÃO" |
| « FILLING » LABEL | ETIQUETA "LLENADO" | ETICHETTA "RIEMPIMENTO" | ETIQUETA "ENCHIMENTO" |
| « HAND CRUSHING » LABEL | "ETIQUETA "APLASTAMIENTO MANO" | ETICHETTA "SCHIACCIAMENTO MANI" | ETIQUETA "ESMAGAMENTO MÃO" |
| « HAULOTTE » LABEL | ETIQUETA "HAULOTTE" | ETICHETTA "HAULOTTE" | ETIQUETA "HAULOTTE" |
| « HYDRAULIC OIL » LABEL | "ETIQUETA "ACEITE HIDRÁULICO" | ETICHETTA "OLIO IDRAULICO" | ETIQUETA "ÓLEO HIDRÁULICO" |
| « LUBRICATION » LABEL | ETIQUETA "LUBRIFICACIÓN" | ETICHETTA "LUBRIFICAZIONE" | ETIQUETA "LUBRIFICAÇÃO" |
| « MANUAL CONTROL » LABEL | "ETIQUETA "MANDO MANUAL" | ETICHETTA "COMANDO MANUA" | ETIQUETA "COMANDO MANUAL..." |
| « OPERATING INSTRUCTIONS » LABEL | "ETIQUETA "CONSIGNAS UTILIZACIÓN" | ETICHETTA "ISTRUZIONI PER L'UTILIZZO" | ETIQUETA "INSTRUÇÕES DE UTILIZAÇÃO" |
| « READ MANUAL » LABEL | ETIQUETA "LEER MANUAL" | ETICHETTA "LEGGERE IL MANUALE" | ETIQUETA "LER MANUAL" |
| « WELDING EARTH » LABEL | ETIQUETA "MASA SOLDADURA" | ETICHETTA "MASSA SALDATURA" | ETIQUETA "MASSA SOLDADURA" |
| «SYMBOL SUMMARY» LABEL | ETIQUETA "RECAPITULATIVO DE LOS SÍMBOLOS" | ETICHETTA "QUADRO (DI COMANDO) PIATTAFORMA" | ETIQUETA "RECAPITULAÇÃO DOS SÍMBOLOS" |
| 1/2 PIVOTING AXIS | 1/2 EJE DE PIVOTE | 1/2 ASSE DI PERNO | SEMI-EIXO DE PIVOT |
| 37-WAY SOCKET/RECEPTACLE | BASE 37 VÍAS | COLLARE A 37 VIE | FICHA 37 VIAS |
| 4WD HYDRAULIC BLOCK | BLOQUE HIDRÁULICO 4X4 | BLOCCO IDRAULICO 4X4 | BLOCO HIDRÁULICO 4X4 |
| ACOUSTIC POWER LABEL | ETIQUETA "POTENCIA ACÚSTICA" | ETICHETTA "POTENZA ACUSTICA" | ETIQUETA "POTÊNCIA ACÚSTICA" |
| ADDITIONAL SAFETY INSTRUCTIONS LABEL | COMPLEMENTO INSTRUCCIONES DE SEGURIDAD | COMPLEMENTO RACCOMANDAZIONI DI SICUREZZA | COMPLEMENTO REGRAS DE SEGURANÇA |
| ADHESIVE BASE | ZÓCALO ADHESIVO | ZOCOLO ADESIVO | BASE ADESIVA |
| ADJUSTABLE BEND 135° JIC | CODO ORIENTABLE 135° JIC | GOMITO ORIENTABILE 135° JIC | JOELHO ORIENTÁVEL 135° JIC |
| ADJUSTABLE BEND 90° JIC | CODO ORIENTABLE 90° JIC | GOMITO ORIENTABILE 90° JIC | JOELHO ORIENTÁVEL 90° JIC |
| AIR FILTER | FILTRO DE AIRE | FILTRO ARIA | FILTRO DE AR |
| ANGLE SENSOR | CAPTADOR DE ÁNGULO | SENSORE ANGOLARE | CAPTADOR DE ÂNGULO |
| ASSEMBLING KIT | KIT DE MONTAJE | KIT DA ASSEMBLAGGIO | KIT DE MONTAGEM |
| ATTACHMENT DEVICE | FIJACIÓN | FISSAGGIO | FIXAÇÃO |
| AUSTRALIA | AUSTRALIA | AUSTRALIA | AUSTRÁLIA |
| BACK PLATE COVER | TAPA CHAPA TR | COFANO LAMIERA POST | PLACA DE RESGUARDO TRASEIRA |

| English | Español | Italiano | Português |
|------------------------------|---------------------------------|------------------------------------|-----------------------------------|
| BAG OF SEALS | BOLSITA DE JUNTAS | BUSTINA DI GIUNTI | EMBALAGEM DE JUNTAS |
| BALANCING VALVE | VÁLVULA DE EQUILIBRIO | VALVOLA DI EQUILIBRATURA | VÁLVULA DE EQUILÍBRIO |
| BALL | BOLA | PALLA | ESFERA |
| BASE | ZÓCALO | ZOCCOLO | BASE |
| BASE | ASIENTO | COLLARE | COLAR |
| BASKET | CESTO | CESTA | CESTA |
| BATTERY | BATERÍA | BATTERIA | BATERIA |
| BEARING | RODAMIENTO | CUSCINETTO | ROLAMENTO |
| BEARING KIT | KIT DE RODAMIENTOS | KIT DI RULLI | CONJUNTO DE ROLAMENTOS |
| BELT ADJUSTER | TENSOR DE CORREA | TENDICINGHIA | TENSOR DE CORREIA |
| BELT COVER | CÁRTER DE CORREA | CARTER DELLA CINGHIA | CÁRTER DE CORREIA |
| BEND | CODO | GOMITO | JOELHO |
| BLOCK | BLOQUE | BLOCCO | BLOCO |
| BLOCK MOVEMENTS | BLOQUE MOVIMIENTOS | BLOCCO MOVIMENTI | BLOCO MOVIMENTOS |
| BOOM POST | CUERPO DE PLUMA | FUSTO DI FRECCIA | TAMBOR DE LANÇA |
| BOTTOM PAD | PATÍN INFERIOR | PATTINO INFERIORE | PATIM INFERIOR |
| BOTTOM PANEL | PUPITRE BAJO | CONSOLLE INFERIORE | MESA INFERIOR |
| BOTTOM PART | PARTE BAJA | PARTE BASSA | PARTE BAIXA |
| BOX | CAJA | SCATOLA | CAIXA |
| BRACE | DISTANCIADOR | DISTANZIATORE | ESPAÇADOR |
| BRAKE SHAFT | ARBOL DE FRENO | ALBERO DI FRENO | VEIO DE TRAVÃO |
| BULB | BOMBILLA | LAMPADA | LÂMPADA |
| BUNDLE | HAZ | FASCIO | FEIXE |
| BUZZER | ZUMBADOR | SEGNALE ACUSTICO | BUZZER |
| BUZZER | AVISADOR | AVVISATORE | BUZINA |
| CABLE | CABLE | CAVO | CABO |
| CABLE BUNDLE FLASHING LIGHTS | HAZ FARO DE DESTELLOS | FASCIO LAMPEGGIATORE | FEIXE LUZ INTERMITENTE |
| CABLE BUNDLE SENSOR | HAZ CAPTADOR | FASCIO SENSORE | FEIXE TENSOR |
| CABLE CLIP | ABRAZADERA DE FIJACIÓN | COLLARE DI FISSAGGIO | BRAÇADEIRA DE FIXAÇÃO |
| CANADA LABELS | ETIQUETAS CANADÁ | ETICHETTE CANADA | ETIQUETAS CANADÁ |
| CARTRIDGE | CARTUCO | CARTUCCIA | CARTUCHO |
| CARTRIDGE BALANCING VALVE | VÁLVULA EQUILIBRADO DE CARTUCHO | VALVOLA EQUILIBRATURA IN CARTUCCIA | VÁLVULA DE EQUILÍBRIO EM CARTUCHO |
| CASING | CÁRTER | CARTER | CÁRTER |
| CENTRE GEAR | ENGRANAJE CENTRAL | INGRANAGGIO CENTRALE | ENGRENAGEM CENTRAL |
| CENTRING PAD | PATÍN DE CENTRADO | PATTINO DI CENTRAGGIO | CHUMACEIRA DE CENTRAGEM |

| English | Español | Italiano | Português |
|------------------------------|-----------------------------|--|----------------------------------|
| CHAIN | CADENA | CATENA | CORRENTE |
| CHAIN (DOUBLE SERIES) | COLLAR SERIE DOBLE | COLLARE SERIE DOPPIA | ANEL SÉRIE DUPLA |
| CHAIN AND HOSES | CADENA Y FLEXIBLES | CATENA E FLESSIBILI | CORREIA E FLEXÍVEIS |
| CHASSIS BOX DRILLING | PERFORMACIÓN CAJA CHASIS | FORATURA SCATOLA TELAIO | PERFURAÇÃO CAIXA CHASSIS |
| CHASSIS BOX UNIT | CONJUNTO CAJA CHASIS | INSIEME MODULO TELAIO | CONJUNTO CAIXA CHASSIS |
| CHASSIS ELECTRICITY | ELECTRICIDAD CHASIS | ELETTRICITÀ TELAIO | ELECTRICIDADE CHASSIS |
| CIRCUIT SELECTOR SWITCH | SELECTOR DE CIRCUITO | SELETTORE CIRCUITO | SELECTOR DE CIRCUITO |
| CLOSING SHEET | CHAPA DE CIERRE | LAMIERA DI CHIUSURA | CHAPA DE FECHO |
| COIL | BOBINA | BOBINA | BOBINA |
| COLLAR | COLLAR | COLLARE | BRAÇADEIRA |
| COMMON LABELS | ETIQUETAS COMUNES | ETICHETTE COMUNI | ETIQUETAS COMUNS |
| COMPENSATION INPUT CYLINDER | GATO RECEPTOR COMPENSACIÓN | MARTINETTO RICEVITORE COMPENSAZIONE | CILINDRO RECEPTOR DE COMPENSAÇÃO |
| COMPENSATION OUTPUT CYLINDER | GATO EMISOR DE COMPENSACIÓN | MARTINETTO EMITTENTE DI COMPENSAZIONE | CILINDRO EMISSOR DE COMPENSAÇÃO |
| COMPRESSION SPRING | RESORTE DE COMPRESIÓN | MOLLA DI COMPRESIONE | MOLA DE COMPRESSÃO |
| COMPUTER | CALCULADOR | COMPUTER | CALCULADOR |
| CONNECTING ROD | BIELA | BIELLA | BIELA |
| CONNECTING ROD AXLE | EJE DE BIELETA | ASSE BIELLETTA | EIXO DE BIELA |
| CONNECTING SOCKET | REDUCCIÓN M-H JIC | RIDUTTORE M/F JIC | REDUÇÃO M-F JIC |
| CONTACT BLOCK | CUERPO COMPLETO | CORPO COMPLETO | CORPO COMPLETO |
| CONTACT SWITCH SUPPORT | SOPORTE CONTACTOR | SUPPORTO INTERRUPTORE | SUPORTE CONTADOR |
| CONTACTOR | CONTACTOR | CONTATTORE | CONTACTOR |
| CONTROL PIN | EJE DE MANDO | ASSE COMANDO | EIXO DE COMANDO |
| COPPER SEAL | JUNTA COBRE | GIUNTO RAME | JUNTA DE COBRE |
| COUNTERWEIGHT | CONTRAPESO | CONTRAPPESO | CONTRAPESO |
| COVER | TAPA | COPERCHIO | TAMPA |
| COVER HINGE | BISAGRA CAPÓ | CARDINE COFANO | CHARNEIRA DA CAPOT |
| DENMARK LABELS | ETIQUETAS DINAMARCA | ETICHETTA DANIMARCA | ETIQUETAS DINAMARCA |
| DETACHABLE CONICAL HUB | CUBO CÓNICO AMOVIBLE | MOZZO CONICO DISTACCABILE | EIXO CÔNICO MÓVEL |
| DEUTZ MOTOR | MOTOR DEUTZ | MOTORE DEUTZ | MOTOR DEUTZ |
| DIESEL MACHINE LABEL | "ETIQUETA "MÁQUINA GASOIL" | ETICHETTA "MACCHINA GASOLIO" | EIQUETA "MÁQUINA GASÓLEO" |
| DIFFERENTIAL CIRCUIT BREAKER | DISYUNTOR DIFERENCIAL | INTERRUPTORE DIFFERENZIALE | DISJUNTOR DIFERENCIAL |
| DIRECTION CENTRE PIN | EJE CENTRAL DE DIRECCIÓN | ASSE CENTRALE DI DIREZIONE | EIXO CENTRAL DE DIRECÇÃO |
| DIRECTION LEVER | PALANCA DE DIRECCIÓN | LEVA DI DIREZIONE | ALAVANCA DE DIRECÇÃO |
| DIRECTION PIVOT | PIVOTE DE DIRECCIÓN | PERNO DI DIREZIONE | CAVILHÃO DE DIRECÇÃO |

| English | Español | Italiano | Português |
|--------------------------------------|---|--|--|
| DIRECTION REDUCER | REDUCTOR DE ORIENTACIÓN | RIDUTTORE DI ORIENTAZIONE | REDUTOR DE ORIENTAÇÃO |
| DISTRIBUTION MODULE | MÓDULO DE DISTRIBUCIÓN | MODULO DI DISTRIBUZIONE | MÓDULO DE DISTRIBUIÇÃO |
| DO NOT STAND LABEL | ETIQUETA "NO PONER EL PIE SOBRE LA MÁQUINA" | ETICHETTA "NON POGGIARE IL PIEDE SULLA MACCHINA" | ETIQUETA «NÃO COLOCAR» |
| DOUBLE-AXIS CONTROLLER | MANIPULADOR 2 EJES | MANIPOLATORE 2 ASSI | MANIPULADOR 2 EIXOS |
| DOUBLE-POLE TOGGLE SWITCH | INTERRUPTOR BIPOLAR DE PALANCA | INTERRUPTORE BIPOLARE A LEVA | INTERRUPTOR BIPOLAR DE ALAVANCA |
| DRAINAGE PLUG | TAPÓN DE VACIADO | TAPPO DI SCARICO | BUJÃO DE Esvaziamento |
| ELECTICITY CUPBOARD SUPPORT | SOPORTE COFRE ELÉCTRICO | SUPPORTO SCATOLA ELETTRICA | SUPORTE CAIXA ELÉCTRICA |
| ELECTRIC PUMP CONTACT SWITCH FITTING | MONTAJE DE CONTACTOR ELECTROBOMBA | MONTAGGIO CONTATTORE ELETROPOMPA | MONTAGEM CONTACTOR ELECTRO-BOMBA |
| ELECTRICAL CABINET | CAJA ELÉCTRICA | ARMADIETTO ELETTRICO | CAIXA ELÉCTRICA |
| ELECTRICITY | ELECTRICIDAD | ELETTRICITA' | ELECTRICIDADE |
| ELECTROPUMP UNIT | GRUPO ELECTROBOMBA | GRUPPO ELETROPOMPA | GRUPO ELECTRO-BOMBA |
| ELECTROVALVE BUNDLE | GRUPO ELECTRO VÁLVULA | FASCIO ELETTOVALVOLA | FEIXE DA ELECTRO-VÁLVULA |
| EMPTYING AND FILLING | VACIADO Y LLENADO | SVUOTAMENTO E RIEMPIMENTO | ESVAZIAMENTO E ENCHIMENTO |
| ENGINE UNIT | GRUPO MOTOR | GRUPPO MOTORE | GRUPO MOTOR |
| EQUAL T-PIECE JIC | TE IGUAL JIC | TE UGUALE JIC | TÊ IGUAL JIC |
| EXHAUST | ESCAPE | SCAPPAMENTO | ESCAPE |
| EXPLOSION RISK LABEL | "ETIQUETA "PELIGRO DE EXPLOSIÓN" | ETICHETTA "RISCHIO DI ESPLOSIONE" | ETIQUETA "RISCO DE EXPLOÇÃO" |
| FILLING PLUG | TAPÓN DE LLENADO | TAPPO DI RIEMPIMENTO | BUJÃO DE ENCHIMENTO |
| FILTER ELEMENT | ELEMENTO FILTRANTE | ELEMENTO FILTRANTE | ELEMENTO FILTRANTE |
| FILTER SUPPORT | SOPORTE FILTRO | SUPPORTO FILTRO | SUPORTE DO FILTRO |
| FINLAND LABELS | ETIQUETAS FINLANDIA | ETICHETTE FINLANDIA | ETIQUETAS FINLÂNDIA |
| FIXING PLATE | PLACA DE FIJACIÓN | PIASTRA DI FISSAGGIO | PLACA DE FIXAÇÃO |
| FLAP ELECTROVALVE | ELECTROVÁLVULA DE MARIPOSA | ELETTOVALVOLA A CERNIERA | ELECTROVÁLVULA DE RETENÇÃO |
| FLASHING LIGHT | LUZ DE DESTELLOS | FANALE A BAGLIORE | LUZ INTERMITENTE |
| FLAT WASHER | ARANDELA PLANA | RONDELLA PIATTA | ANILHA PLANA |
| FLAT-END SCREW | TORNILLO DE EXTREMO PLANO | VITE A ESTREMITÀ PIATTA | PARAFUSO DE EXTREMIDADE CHATA |
| FLEXIBLE | FLEXIBLE | FLESSIBILE | TUBO FLEXÍVEL |
| FLEXIBLE PIN | PASADOR ELÁSTICO | COPPIGLIA ELASTICA | PERNO ELÁSTICO |
| FLOOR HEIGHT + LOAD LABEL | ETIQUETA ALTURA PISO + CARGA | ETICHETTA ALTEZZA PIANAL | ETIQUETA ALTURA PAVIMENTO + CARREGADOR |
| FLOOR HEIGHT + LOAD LABEL | ETIQUETA ALTURA PISO + CARGA | ETICHETTA ALTEZZA PIANALE + CARICO | ETIQUETA ALTURA PAVIMENTO + CARREGADOR |
| FLOW DIVIDER | DIVISOR DE CAUDAL | DIVISORE DI PORTATA | DIVISOR DE DÉBITO |
| FOAM FILLING | LLENADO ESPUMA | RIEMPIMENTO ESPANSO | ENCHIMENTO ESPUMA |
| FRAME COWLING | CAPOTAJE CHASIS | CAPOTTATURA TELAIO | INVÓLUCRO CHASSIS |

| English | Español | Italiano | Português |
|------------------------------------|---|--|--|
| FRANCE LABELS | ETIQUETAS FRANCIA | ETICHETTE FRANCIA | ETIQUETAS FRANÇA |
| FUEL TANK | DEPÓSITO DE CARBURANTE | SERBATOIO DI CARBURANTE | DEPÓSITO DE COMBUSTÍVEL |
| FUSE | FUSIBLE | FUSIBILE | FUSÍVEL |
| FUSE HOLDER | PORTAFUSIBLE | PORTAFUSIBILE | PORTA-FUSÍVEL |
| GAITER | FUELLE | SOFFIETTO | FOLE |
| GANTRY ASSY. | CONJUNTO PLATAFORMA | INSIEME PIATTAFORMA | CONJUNTO CESTA |
| GANTRY DRILLING | TALADRADO CAJA | FORATURA ARMADIETTO | PERFURAÇÃO CAIXA |
| GAS SPRING | RESORTE DE GAS | MOLLA A GAS | MOLA DE GÁS |
| GB LABELS | ETIQUETAS GB | ETICHETTE REGNO UNITO | ETIQUETAS GB |
| GENERATOR | GENERADORA | GENERATRICE | GERADORA |
| GREEN ARROW | FLECHA VERDE | FRECCIA VERDE | LANÇA VERDE |
| GREEN INDICATOR LIGHT | PILOTO VERDE | SPIA VERDE | LUZ AVISADORA VERDE |
| GROMMET | ARANDELA AISLANTE PASA-HILO | PASSAFILO | PASSA-FOIS |
| GUIDE PLATE | CHAPA DE GUIADO | LAMIERA GUIDA | CHAPA DE GUIA |
| HANDLE | EMPUÑADURA | MANOPOLA | PEGA |
| HARNES FIXING PART | FIJACIÓN ATALAJE | FISSAGGIO DELL'IMBRACATURA | FIXAÇÃO DO CINTO DE SEGURANÇA |
| HEAD | CABEZA | TESTA | CABEÇA |
| HEX CAP SCREW | TORNILLO DE EXTREMO CUBETA | VITE A ESTREMITÁ CONCAVA | |
| HOLDER | SOPORTE | SUPPORTO | SUPORTE |
| HOLLAND LABELS | ETIQUETAS HOLANDA | ETICHETTE OLANDA | ETIQUETAS HOLANDA |
| HOSE PROTECTIVE PLATE | CHAPA PROTECCIÓN FLEXIBLE | LAMIERA PROTEZIONE FLESSIBILE | PLACA DE PROTECÇÃO FLEXÍVEL |
| HOSE RECORDER | HORÁMETRO | ORAMETRO | CONTADOR DE HORAS |
| HUB | CUBO | MOZZO | CUBO |
| HYDRAULIC + ELECTRIC ROTATING SEAL | JUNTA GIRATORIA HIDRÁULICA+ELÉCTRICA | GIUNTO GIREVOLE IDRAULICO+ELETTRICO | ANILHA GIRATÓRIA HIDRÁULICO+ELÉCTRICO |
| HYDRAULIC COOLER | REFRIGERADOR HIDRÁULICO | RAFFREDDATORE IDRAULICO | RESFRIADOR HIDRÁULICO |
| HYDRAULIC PUMP | BOMBA HIDRÁULICA | POMPA IDRAULICA | BOMBA HIDRÁULICA |
| HYDRAULIC REFRIGERANT | REFRIGERANTE HIDRÁULICO | REFRIGERANTE IDRAULICO | REFRIGERANTE HIDRÁULICO |
| HYDRAULIC RESERVOIR | DEPOSITO HIDRAULICO | SERBATOIO IDRAULICO | DEPÓSITO HIDRÁULICO |
| HYDRAULIC TUBE | TUBO HIDRÁULICO | TUBO IDRAULICO | TUBO HIDRÁULICO |
| HYDRAULIC UNIT SUPPORT PLATE | CHAPA SOPORTE BLOQUE HIDRAU | LAMIERA SUPPORTO BLOCCO IDRAULICO | PLACA DE SUPORTE DO BLOCO HIDRÁULICO |
| HYDRAULICS | HIDRÁULICO | IDRAULICO | HIDRÁULICA |
| INDICATOR | INDICACOR | INDICATORE | INDICADOR |
| INPUT PLATE | PLACA DE ENTRADA | PIASTRA DI ENTRATA | PLACA DE ENTRADA |
| INTERMEDIARY COLLAR | ABRAZADERA INTERMEDIA | COLLARE INTERMEDIO | COLAR INTERMÉDIO |

| English | Español | Italiano | Português |
|-------------------------------|-----------------------------|--|-----------------------------|
| INTERNAL COMBUSTION ENGINE | MOTOR TÉRMICO | MOTORE TERMICO | MOTOR TÉRMICO |
| ITALY LABELS | ETIQUETAS ITALIA | ETICHETTE ITALIA | ETIQUETAS ITÁLIA |
| JIB + PLATFORM | PENDULAR + PLATAFORMA | BRACCIO OSCILLANTE + PIATTAFORMA | PENDULAR + PLATAFORMA |
| JIB ASSEMBLY | CONJUNTO PENDULAR | INSIEME BRACCIO OSCILLANTE | CONJUNTO PENDULAR |
| JIB LINK PART | PIEZA DE ENLACE PENDULAR | PEZZO DI COLLAGAMENTO BRACCIO OSCILLANTE | PEÇA DE LIGAÇÃO PENDULAR |
| JIC NUT | TUERCA JIC | DADO JIC | PORCA JIC |
| KEY | LLAVE | CHIAVE | CHAVE |
| LABELS | ETIQUETAS | ETICHETTAS | ETIQUETAS |
| LEFT TOP COVER | CAPÓ SUPERIOR IZQUIERDO | COFANO SUPERIORE SINISTR | CAPÔ SUPERIOR ESQUERDO |
| LEFT TUBULAR FRAME | CUADRO TUBULAR IZQUIERDO | TELAIO TUBOLARE SINISTRO | QUADRO TUBULAR ESQUERDA |
| LEFT WHEEL | RUEDA IZQUIERDA | RUOTA SINISTRA | RODA ESQUERDA |
| LENGTH SENSOR | CAPTADOR DE LONGITUD | SENSORE DI LUNGHEZZA | SENSOR DE COMPRIMENTO |
| LEVEL | NIVEL | LIVELLO | NÍVEL |
| LEVER-OPERATED SEALED LATCH | PESTILLO ESTANCO DE PALANCA | LEVETTA DI CHIUSURAERMETICA A LEVA | TRINCO ESTANQUE DE ALAVANCA |
| LIFT CYLINDER | GATO ELEVACIÓN | MARTINETTO SOLLE | CILINDRO DE ELEVAÇÃO |
| LIFTING BEAM | PALANCA COMPENSADORA | BILANCIERE | LEVANTADOR DE CARGAS |
| LIGHT | PILOTO | SPIA | LUZ AVISADORA |
| LINK PIECE | PIEZA DE ENLACE | PEZZO DI COLLEGAMENTO | PEÇA DE LIGAÇÃO |
| LOAD ON ONE WHEEL | CARGA EN 1 RUEDA | CARICO SU 1 RUOTA | CARGA NUMA RODA |
| LOCK NUT | CONTRATUERCA | CONTRODADO | CONTRA-PORCA |
| LOGO | GRAFISMO | GRAFICA | GRAFISMO |
| LOWER COLLAR | ABRAZADERA INFERIOR | COLLARE INFERIORE | COLAR INFERIOR |
| LUGGED COLLAR | COLLAR DE OREJA | COLLARE CON PATTE | ANEL DE ORELHA |
| MALE BEND 90 JIC | CODO MACHO 90° JIC | GOMITO MASCHIO 90° JIC | COTOVELO MACHO 90° JIC |
| MALE UNION PIECE JIC | UNIÓNMACHO JIC | UNIONE MASCHIO JIC | UNIÃO MACHO JIC |
| MALE UNION PIECE ORFS | UNIÓNMACHO ORFS | UNIONE MASCHIO ORFS | UNIÃO MACHO ORFS |
| MANUFACTURER'S PLATE | PLACA CONSTRUCTOR | TARGA COSTRUTTORE | PLACA DO CONSTRUTOR |
| MECHANICAL GENERATOR SUPPORT | SOPORTE GENERADOR MECA | SUPPORTO GENERATRICE MECC. | SUPORTE GERATRIZ MECÂNICA |
| MINIMESS TAP | TOMA MINIMESS | PRESA MINIMESS | TOMADA MINIMESS |
| MOTOR | MOTOR | MOTORE | MOTOR |
| MOTOR GUIDING AXLE | EJE MOTODIRECTOR | ASSE MOTORE-STERZANTE | EIXO MOTORIZADO DE DIRECÇÃO |
| MOTOR KIT | KIT MOTOR | KIT MOTORE | KIT MOTOR |
| MOUNTING OF POWER SUPPLY UNIT | MONTAJE GENERADOR | MONTAGGIO GENERATRICE | MONTAGEM GERATRIZ |
| MUSHROOM-HEADED BUTTON | BOTÓN INTERRUPTOR DE BOLA | PULSANTE A FUNGO | BOTÃO DE EMERGÊNCIA |
| NOTCHED CONNECTION | RACOR MUESCAS | RACCORDO A TACCHE | UNIÃO DENTADA |

| English | Español | Italiano | Português |
|---------------------------|---------------------------------------|---------------------------------|-------------------------------|
| NUT | TUERCA | DADO | PORCA |
| OIL LEVEL | NIVEL DE ACEITE | LIVELLO OLIO | NÍVEL DE ÓLEO |
| ONE-WAY VALVE | MARIPOSA ANTIRRETROCESO | VALVOLA ANTI-RITORNO | VÁLVULA ANTI-RETORNO |
| OPERATOR'S MANUAL | MANUAL DE OPERACIÓN Y MANTENIMIENTO | MANUALE DE GUIDA E MANUTENZIONE | MANUAL CE |
| OPERATOR'S MANUAL | MANUAL DEL OPERADOR | GUIDA DELL'OPERATORE | MANUAL DO OPERADOR |
| OPTION | OPCIÓN | OPZIONE | OPÇÃO |
| O-RING | JUNTA TÓRICA | GIUNTO TORICO | JUNTA TÓRICA |
| PACKING BOX | PRENSAESTOPAS | PREMISTOPPA | EMPANQUE |
| PAD | PATÍN | PATTINO | PATIM |
| PAD/CASE | PATÍN/CAJÓN | PATTINO/CASSONE | SAPATA/CAIXA |
| PANEL BUNDLE | GRUPO PUPITRE | FASCIO QUADRO | DETECTOR DA MESA |
| PENDULAR RAISING CYLINDER | GATO DE REPLEGADO MOVIMIENTO PENDULAR | MARTINETTO DI SOLLEVAMEN | CILINDRO DE ELEVAÇÃO PENDULAR |
| PERMITTED LOAD LABEL | "ETIQUETA "CARGA ADMISIBLE" | ETICHETTA "CARICO AUTORIZZATO" | ETIQUETA "CARGA PERMITIDA" |
| PILOTED VALVE | CHAPALETA COMANDADA | VALVOLA PILOTATA | VÁLVULA PILOTADA |
| PIN | EJE | ASSE | EIXO |
| PIN COVER | HORQUILLA DE EJE | CAPPELLO DI ASSE | CHAPÉU DE EIXO |
| PISTON | PISTÓN | PISTONE | PISTÃO |
| PLASTIC SPIRAL HOSE | ESPIRAL PLÁSTICO FLEXIBLE | SPIRALE PLASTICA FLESSIBILE | ESPIRAL PLÁSTICO FLEXÍVEL |
| PLATE | PLACA | LASTRA | PLACA |
| PLATE | PLAQUETA | PIASTRINA | PLACA |
| PLATFORM CABINET | CAJA PLATAFORMA | COFANETTO PIATTAFORMA | CAIXA CESTA |
| PLATFORM CONTROL PANEL | PUPITRE BARQUILLA | QUADRO PIATTAFORMA | MESA PLATAFORMA |
| PLUG | TAPÓN | TAPPO | BUJÃO |
| PLUG SOCKET | TOMA | PRESA | TOMADA |
| PORTUGAL LABELS | ETIQUETAS PORTUGAL | ETICHETTE PORTOGALLO | ETIQUETAS PORTUGAL |
| POSITION SWITCH | INTERRUPTOR DE POSICIÓN | INTERRUPTORE DI POSIZION | INTERRUPTOR DE POSIÇÃO |
| POSITION SWITCH | INTERRUPTOR DE POSICIÓN | INTERRUPTORE DI POSIZIONE | INTERRUPTOR DE POSIÇÃO |
| POSITION VALVE | DISTRIBUIDOR | DISTRIBUTORE | DISTRIBUIDOR |
| POWER JIB | ELECTRICIDAD PLUMA | ELETTRICITÀ FRECCIA | ELECTRICIDADE SETA |
| POWER SUPPLY KIT | KIT GENERADOR | KIT GENERATRICE | KIT GERATRIZ |
| POWER SWITCH | CONTACTOR DE POTENCIA | CONTATTORE DI POTENZA | CONTACTOR DE POTÊNCIA |
| PRESSURE FILTER | FILTRO PRESIÓN | FILTRO PRESSIONE | FILTRO PRESSÃO |
| PRESSURE LIMITER | LIMITADOR DE PRESIÓN | LIMITATORE DI PRESSIONE | LIMITADOR DE PRESSÃO |
| PRESSURE SENSOR | CAPTADOR DE PRESIÓN | SENSORE DI PRESSIONE | CAPTADOR DE PRESSÃO |

| English | Español | Italiano | Português |
|--------------------------------------|--------------------------------|------------------------------------|---------------------------------|
| PROTECTIVE COVER | TAPA DE PROTECCIÓN | COFANO DI PROTEZIONE | COBERTURA DE PROTECÇÃO |
| PROTECTIVE GRID | REJILLA DE PROTECCIÓN | GRIGLIA DI PROTEZIONE | GRELHA DE PROTECÇÃO |
| PROTECTIVE PLATE | PLACA DE PROTECCIÓN | PIASTRA DI PROTEZIONE | PLACA DE PROTECÇÃO |
| PULLEY 1 GROOVE | POLEA 1 GARGANTA | PULEGGIA GOLA SINGOLA | POLÉ 1 GARGANTA |
| PVG SUPPORT | SOPORTE PVG | SUPPORTO PVG | SUPORTE PVG |
| RADIATOR SUPPORT | SOPORTE RADIADOR | SUPPORTO RADIATORE | SUPORTE DO RADIADOR |
| RAISING CYLINDER | GATO DE REPLEGADO | MARTINETTO DI SOLLEVAMENTO | CILINDRO DE ELEVAÇÃO |
| RANGE LIMITER CONTACT SWITCH | CONTACTOR LIMITADOR DE ALCANCE | INTERRUTTORE LIMITATORE DI GITTATA | CONTADOR LIMITADOR DE DISTÂNCIA |
| RED ARROW | FLECHA ROJA | FRECCIA ROSSA | LANÇA VERMELHA |
| RED LIGHT INDICATOR | PILOTO ROJO | SPIA ROSSA | SINAL LUMINOSO VERMELHO |
| REDUCER | REDUCTOR | RIDUTTORE | REDUTOR |
| REDUCER PACKING BOX | PRENSAESTOPAS REDUCTOR | PREMISTOPPA RIDUTTORE | EMPANQUE REDUTOR |
| REDUCTION | REDUCCIÓN | RIDUZIONE | REDUÇÃO |
| REGULAR ORIENT. TEE CONNECTION (JIC) | T ORIENT. IGUAL JIC | RACCORDO A "T" ORIENT. UGUALE. JIC | TÉ ORIENT. IGUAL. JIC |
| RELAY | RELÉ | RELÈ | RELÉ |
| RESERVOIR | DEPÓSITO | SERBATOIO | DEPÓSITO |
| RETAINING BRACKET | PATE DE FIJACIÓN | BRACCIO DI FISSAGGIO | PATILHA DE FIXAÇÃO |
| REV. ORIENT. TEE CONNECTION (JIC) | T ORIENT. INV. JIC | RACCORDO A "T" ORIENT. ROV. JIC | TÉ ORIENT. RENV. JIC |
| REVOLVING JOINT | JUNTA GIRATORIA | GIUNTO ROTATIVO | JUNTA ROTATIVA |
| RFA LABELS | ETIQUETTES RFA | ETICHETTE GERMANIA | ETIQUETAS RFA |
| RIGHT TOP COVER | CAPÓ SUPERIOR DERECHO | COFANO SUPERIORE DESTRO | CAPÔ SUPERIOR DIREITO |
| RIGHT WHEEL | RUEDA DERECHA | RUOTA DESTRA | RODA DIREITA |
| RIGHT-HAND STANDARD LUBRICATOR | ENGRASADOR ESTÁNDAR DERECHO | INGRASSATORE STANDARD DIRITTO | LUBRIFICADOR PADRÃO DIREITO |
| RIM | LLANTA | CERCHIONE | JANTE |
| RING | ANILLO | ANELLO | CASQUILHO |
| ROLLING FRAME | CHASIS RODANTE | TELAIO SCORREVOLE | CHASSIS ROLANTE |
| ROTARY CYLINDER / JACK | CILINDRO ROTATIVO | MARTINETTO ROTATIVO | CILINDRO ROTATIVO |
| ROTATING JOINT CABLING | CABLEADO JUNTA GIRATORIA | CABLAGGIO GIUNTO GIREVOLE | CABLAGEM JUNTA ROTATIVA |
| RUBBER WASHER | ARANDELA ELÁSTICA | RONDELLA ELASTICA | ANILHA ELÁSTICA |
| SAFETY ON PLUG | SEGURIDAD EN TAPÓN | SICUREZZA SUL TAPPO | SEGURANÇA NO BUJÃO |
| SCREW | TORNILLO | VITE | PARAFUSO |
| SCREW COLLAR | COLLAR DE TORNILLO | COLLARE A VITE | BRAÇADEIRA DE PARAFUSO |
| SCREWED VALVE | VÁLVULA ENROSCADA | VALVOLA AVVITATA | VÁLVULA ROSCADA |
| SEAL | OBTURADOR | OTTURATORE | OBTURADOR |
| SEAL | JUNTA | GIUNTO | JUNTA |

| English | Español | Italiano | Português |
|---------------------------|---------------------------------|-------------------------------|-----------------------------------|
| SEALING RING | JUNA DE ESTANQUEIDAD | GUARNIZIONE DI TENUTA | JUNTA DE VEDAÇÃO |
| SELF-LOCKED NUT | TUERCA DE AUTOFRENADO | DADO AUTOFRENATO | PORCA DE SEGURANÇA |
| SELF-STOPPING METAL NUT | TUERCA AUTOFRENADA METAL | DADO AUTOBLOCCATO METALLO | PORCA AUTOTRAVADA METAL |
| SEMI-FLANGE | MEDIA BRIDA | MEZZA FLANGIA | MEIA PRESILHA |
| SENSOR | SENSOR | SENSORE | CAPTADOR |
| SENSOR MAGNET | IMÁN PARA CAPTADOR | CALAMITA PER SENSORE | ÍMÃ PARA TENSOR |
| SENSOR SUPPORT | SOPORTE CAPTADOR | SUPPORTO SENSORE | SUPORTE CAPTADOR |
| SILENTBLOC | SILENTBLOC | SILENTBLOC | SILENTBLOC |
| SINGLE-AXIS CONTROLLER | MANIPULADOR 1 EJE | MANIPOLATORE 1 ASSE | MANIPULADOR 1 EIXO |
| SINGLE-POLE TOGGLE SWITCH | INTERRUPTOR UNIPOLAR DE PALANCA | INTERRUPTORE UNIPOLARE A LEVA | INTERRUPTOR UNIPOLAR DE ALAVANCA |
| SINTERED DISC | DISCO FRITA | DISCO SINTETIZZATO | DISCO SINTERIZADO |
| SLEEVE | MANGUITO | MANICOTTO | MANGA |
| SLEW RING | CORONA DE ORIENTACIÓN | CORONA DI ORIENTAZIONE | COROA DE ORIENTAÇÃO |
| SLIDING BAR | BARRA DESLIZANTE | SBARRA SCORREVOLE | BARRA ESCORREGADIÇA |
| SLOTTED SCREW | TORNILLO CABEZA REDONDA HENDIDA | VITE FUMISTA A INTAGLIO | |
| SMOOTH MALE SLOT | HORQUILLA MACHO LISA | FORCELLA MASCHIO LISCIA | FORQUILHA MACHO LISA |
| SNIFFER | RESPIRADERO | VALVOLA DI SPURGO | RESPIRADOURO |
| SOCKET | CASQUILLO | MANICOTTI | CASQUILHO |
| SOLENOID VALVE | ELECTROVÁLVULA | ELETTRIVALVOLA | ELECTROVÁLVULA |
| SPAIN LABELS | ETIQUETAS ESPAÑA | ETICHETTE SPAGNA | ETIQUETAS ESPANHA |
| SPARE FUSE HOLDER | PORTA FUSIBLE RECAMBIO | PORTAFUSIBILE RICAMBIO | PORTA FUSÍVEIS SUPLENTE |
| SPARE PARTS CATALOGUE | CATÁLOGO PR | CATALOGO PR | CATÁLOGO PEÇAS SOBRESSELENTES |
| SPIRAL RING | ANILLO ESPIRAL | ANELLO SPIRALE | ANEL ESPIRAL |
| SPOOL | DISTRIBUIDOR | CASSETTO DI DISTRIBUZIONE | VÁLVULA DE GAVETA DE DISTRIBUIÇÃO |
| SPRING | RESORTE | MOLLA | MOLA |
| STANDARD LUBRICATOR 45 | ENGRASADOR ESTÁNDAR | INGRASSATORE STANDARD | LUBRIFICADOR PADRÃO 45° |
| STEEL DISC | DISCO ACERO | DISCO ACCIAIO | DISCO DE AÇO |
| STEERING BAR | BARRA DE DIRECCIÓN | BARRA DI DIREZIONE | BARRA DE DIRECÇÃO |
| STEERING CYLINDER | GATO DE DIRECCIÓN | MARTINETTO DI DIREZIONE | CILINDRO DE DIRECÇÃO |
| STEERING PIN SLOT | EJE HORQUILLA DIRECCIÓN | ASSE FORCELLA DIREZIONE | EIXO FORQUILHA DE DIRECÇÃO |
| STOP PLATE | PLAQUETA DE RETÉN | PASTIGLIA DI ARRESTO | PLACA DE RETENÇÃO |
| SUB-FRAME | CHASIS | TELAIO | CHASSIS |
| SUPPORT LOWER ARM PIN | EJE BRAZO INF. SOPORTE | ASSE BRACCIO INF. SUPPORTO | EIXO DO BRAÇO INFERIOR DO SUPORTE |
| SUPPORT LUG | PATA SOPORTE | FLANGIA SUPPORTO | GANCHO DE SUPORTE |
| SUPPORT UPPER ARM PIN | EJE BRAZO SUP. SOPORTE | ASSE BRACCIO SOP. SUPPORTO | EIXO DO BRAÇO SUPERIOR DO SUPORTE |

| English | Español | Italiano | Português |
|------------------------------------|--------------------------------|--|---------------------------------|
| SWEDEN LABELS | ETIQUETAS SUECIA | ETICHETTA SVEZIA | ETIQUETAS SUÉCIA |
| TANK FIXTURE | FIJACIÓN DEPÓSITO | FISSAGGIO SERBATOIO | FIXAÇÃO DO RESERVATÓRIO |
| TELESCOPE | TELESCOPIO | BRACCIO TELESCOPICO | TELESCÓPIO |
| TELESCOPE RETRACTED CONTACT SWITCH | CONTACTOR ENTRADA TELESCOPIO | INTERRUPTORE RIENTRO BRACCIO TELESCOPICO | CONTADOR ENTRADA TELESCÓPIO |
| TELESCOPIC ACTION JACK | GATO DE MOVIMIENTO TELESCÓPICO | MARTINETTO DI TAMPONAMENTO | CILINDRO DE TELESCOPAGEM |
| TELESCOPIC BOOM | PLUMA TELESCÓPICA | FRECCIA TELESCOPICA | LANÇA TELESCÓPICA |
| THERMAL SWITCH | TERMOCONTACTOR | TERMOCONTATTORE | TERMO-INTERRUPTOR |
| THIN NUT | TUERCA INFERIOR | DADO BASSO | PORCA BAIXA |
| THREADED ROD | VARILLA ROSCADA | ASTA FILETTATA | HASTE ROSCADA |
| TILT | INCLINACIÓN | INCLINAZIONE | INCLINAÇÃO TRANSVERSAL |
| TIRE | NEUMÁTICO | PNEUMATICO | PNEU |
| TOOTH LOCK WASHER | ARANDELA DE DIENTES | RONDELLA A DENTE | ANILHA DE DENTES |
| TRUNKING | CONDUCTO | BOCCHETTO | CALHA |
| TURN KNOB HEAD | CABEZA DE BOTÓN GIRATORIO | TESTA DI MANOPOLA GIREVOLE | CABEÇA DE BOTÃO ROTATIVO |
| TURNTABLE BOX | CAJA TORRETA | SCATOLA TORRETTA | CAIXA TORRE |
| TURNTABLE ELECTRICITY | ELECTRICIDAD TORRETA | ELETTRICITÀ TORRETTA | ELECTRICIDADE TORRE |
| TURNTABLE LOWER ARM PIN | EJE BRAZO INF. TORRE | ASSE BRACCIO INF. TORRETTA | EIXO DO BRAÇO INFERIOR DA TORRE |
| TURNTABLE UPPER ARM PIN | EJE BRAZO SUP. TORRE | ASSE BRACCIO SOP. TORRETTA | EIXO DO BRAÇO SUPERIOR DA TORRE |
| TURRET | TORRETA | TORRETTA | TORRE |
| TURRET COWLING | CAPOTAJE TORRETA | TETTuccio TORRETTA | INVÓLUCRO TORRE |
| TURRET CUT-OFF | CORTE TORRETA | INTERRUZIONE TORRETTA | CORTE TORRE |
| TURRET SUB-FRAME | CHASIS TORRETA | TELAIO TORRETTA | CHASSIS TORRE |
| TURRET UNIT | GRUPO TORRETA | GRUPPO TORRETTA | GRUPO TORRE |
| UNION PIECE | UNIÓN | UNIONE | UNIÃO |
| UNION PIECE JIC | UNIÓN IGUAL JIC | UNIONE UGUALE JIC | UNIÃO EM TÊ JIC |
| UNION PIECE T.C JIC | UNIÓN IGUAL T.C JIC | UNIONE UGUALE T.C JIC | UNIÃO EM TÊ T.C JIC |
| USA LABELS | ETIQUETAS EE.UU | ETICHETTAS USA | ETIQUETAS USA |
| VALVE | GRIFO | RUBINETTO | TORNEIRA |
| VALVE | CHAPAleta | VALVOLA | VÁLVULA |
| VEE-BELT | CORREA TRAPEZOIDAL | CINGHIA TRAPEZOIDALE | CORREIA TRAPEZOIDAL |
| VOLTAGE LABEL | ETIQUETA "TENSION" | ETICHETTA "VOLTAGGIO" | ETIQUETA "VOLTAGEM" |
| WASHER | ARANDELA | RONDELLA | ANILHA |
| WEAR PAD | PATÍN DE DESGASTE | PATTINO DI USURA | PATIM DE DESGASTE |
| WEARING (OF) SAFETY HARNESS | USO DE ARNÉS | INDOSSARE IMBRACATURE | PORTE DE ARNÊS |
| WEIGHING CARD | TARJETA PESAJE | SCHEMA PESATURA | CARTÃO DE PESO |

| English | Svenska | Suomi | Română |
|----------------------------------|--|---|---|
| « HARNESS LOAD » LABEL | ETIKETT "BELASTNING PÅ SELE" | ETIKETTI "VALJAIDEN ASETUS" | ETICHETA "INCARCARE TRANSMISIE CU ROTI DINTATE" |
| « ... REMOVE PIN » LABEL | ETIKETT "TA BORT SPINDEL" | ETIKETTI "...KARAN POISTO" | ETICHETA "...A SCOATE BROSA" |
| « 110 V SOCKET » LABEL | ETIKETT "110V UTTAG" | ETIKETTI "PISTOKE 110V" | ETICHETA "PRIZA 110V" |
| « 240 V SOCKET » LABEL | ETIKETT "240V UTTAG" | ETIKETTI "PISTOKE 240V" | ETICHETA "PRIZA 240V" |
| « BODY CRUSHING » LABEL | ETIKETT "SÖNDERKLÄMNING AV KROPPEN" | ETIKETTI "VARTALO VOI JÄÄDA PURISTUKSIIN" | ETICHETA "PERICOL DE RANIRE CORP" |
| « DIRECTION OF TRAVEL » LABEL | ETIKETT "KÖRRIKTNING" | ETIKETTI "KULJETUKSEN SUUNTA" | ETICHETA "SENS TRANSLATIE" |
| « DO NOT INTERCHANGE » LABEL | ETIKETT "BYT INTE UT" | ETIKETTI "ÄLÄ VAIHDA KESKENÄÄN" | ETICHETA "A NU SE INTERSCHIMBA" |
| « DO NOT PARK » PARK | ETIKETT "PARKERING FÖRBJUDEN" | ETIKETTI "ÄLÄ PYSÄKÖI" | ETICHETA "A NU STATIONA" |
| « ELECTROCUTION » LABEL | ETIKETT "ELSTÖT" | ETIKETTI "SÄHKÖISKUVAARA" | ETICHETA "PERICOL DE ELECTROCUTARE" |
| « FILLING » LABEL | ETIKETT "PÄFYLLNING" | ETIKETTI "TÄYTTÖ" | ETICHETA "UMPLERE" |
| « HAND CRUSHING » LABEL | ETIKETT "SÖNDERKLÄMNING AV HAND" | ETIKETTI "KÄSI VOI JÄÄDÄ PURISTUKSIIN" | ETICHETA "PERICOL DE RANIRE LA MANA" |
| « HAULOTTE » LABEL | ETIKETT "HAULOTTE" | ETIKETTI "HAULOTTE" | ETICHETA "HAULOTTE" |
| « HYDRAULIC OIL » LABEL | ETIKETT "HYDRAULOLJA" | ETIKETTI "HYDRAULIIKKAÖLJY" | ETICHETA "ULEI HIDRAULIC" |
| « LUBRICATION » LABEL | ETIKETT "SMÖRJNING" | ETIKETTI "VOITELU" | ETICHETA "GRESAJ" |
| « MANUAL CONTROL » LABEL | ETIKETT "MANUELLT REGLAGE" | ETIKETTI "KÄSIOHJAUS..." | ETICHETA "COMANDA MANUALA" |
| « OPERATING INSTRUCTIONS » LABEL | ETIKETT "INSTRUKTIONER FÖR ANVÄNDNING" | ETIKETTI "KÄYTTÖOHJEET" | ETICHETA "DISPOZITII DE FOLOSIRE" |
| « READ MANUAL » LABEL | ETIKETT "LÄS HANDBOKEN" | ETIKETTI "LUE OHJEKIRJA" | ETICHETA "A CITI MANUALUL" |
| « WELDING EARTH » LABEL | ETIKETT "SVETSNINGSJORD" | ETIKETTI "MAADOITUS (HITSAUS)" | ETICHETA "MASA SUDURA" |
| «SYMBOL SUMMARY» LABEL | ETIKETT "SAMMANSTÄLLNING AV SYMBOLER" | ETIKETTI "SYMBOLIEN YHTEENVETO" | |
| 1/2 PIVOTING AXIS | HALV SPINDELBULT | AKSELITAPIN PUOLIAKSELI | SEMI-AX DE PIVOT |
| 37-WAY SOCKET/RECEPTACLE | SOCKET 37 STIFT | KEHYS 37 URAA | PLACA DE BAZA 37 CAI |
| 4WD HYDRAULIC BLOCK | HYDRAULBLOCK 4X4 | HYDRAULIIKKALOHKO 4X4 | BLOC HIDRAULIC 4X4 |

| English | Svenska | Suomi | Română |
|---|--|-----------------------------------|---|
| ACOUSTIC POWER LABEL | DEKAL "LJUDEFFEKT" | ETIKETTI " PAINAVA AKUSTINEN " | |
| ADDITIONAL SAFETY INSTRUCTIONS LABEL | KOMPLETTERANDE SÄKERHETSANVISNINGAR | "TURVAOHJETÄYDENNYS" TARRA | CONSEMNE COMPLEMENTARE DE SECURITATE |
| ADHESIVE BASE | VIDHAFTANDE SOCKEL | TARRAPISTORASIA | SOCLU ADEZIV |
| ADJUSTABLE BEND 135° JIC | INSTÄLLBART KNÄRÖR 135° JIC | KÄÄNTYVÄ TAIVE 135° JIC | |
| ADJUSTABLE BEND 90° JIC | INSTÄLLBART KNÄRÖR 90° JIC | KÄÄNTYVÄ TAIVE 90° JIC | |
| AIR FILTER | LUFTFILTER | ILMANSUODATIN | FILTRU DE AER |
| ANGLE SENSOR | VINKELFÄNGARE | KULMA-ANTURI | |
| ASSEMBLING KIT | MONTERINGSSATS | ASENNUSSARJA | KIT DEASAMBLARE |
| ATTACHMENT DEVICE | FASTSÄTTNING | KIINNITYS | FIXARE |
| AUSTRALIA | AUSTRALIEN | AUSTRALIA | AUSTRALIA |
| BACK PLATE COVER | PLÄTSKYDD BAK | Takalevyn konepelti | |
| BAG OF SEALS | PÅSE MED PACKNINGAR | TIIVISTEKOTELO | LOCAS DE GARNITURI |
| BALANCING VALVE | BALANSVENTIL | TASAPAINOTUSVENTTIILI | VALVA DE ECHILIBRARE |
| BALL | KULA | PALLO | BILA BULA |
| BASE | SOCKEL | PISTORASIA | SOCLU |
| BASE | SOCKEL | KEHYS | PLACA DE BAZA |
| BASKET | KORG | KORI | LADA, COS |
| BATTERY | BATTERI | SUOJUKSEN KIINNITYSRIPA | BATERIE |
| BEARING | LAGER | LAAKERI | RULMENT |
| BEARING KIT | UPPSÄTTNING RULLAGER | Laakeripakkaus | |
| BELT ADJUSTER | REMSTRÄCKARE | VETOHIHNAN JANNITIN | |
| BELT COVER | REMHUS | HIHNAKOTELO | CARTER CUREA |
| BEND | KNÄRÖR | TAIVE | COT |
| BLOCK | BLOCK | LOHKO | BLOC |
| BLOCK MOVEMENTS | BLOCKRÖRELSER | LIKEOSA | |
| BOOM POST | TORN PÅ KRANARM | NOSTURIN PUOMIN TUKIRUNKO | BUTOI, RECIPIENT DE BRAT |
| BOTTOM PAD | UNDRE GLIDYTA | ALALUISTIN | PATINA INFERIOARA |
| BOTTOM PANEL | NEDRE PANEL | ALAOHJAUSPÖYTÄ | PUPITRU MIC |
| BOTTOM PART | NEDRE DEL | ALAOA | PARTEA DE JOS |
| BOX | DOSA | KOTELO | CUTIE |
| BRACE | MELLANLÄGG | VÄLITUKI | ANTRETUAZA |
| BRAKE SHAFT | BROMSAXEL | JARRUAKSELI | ARBORE DE FRANA |
| BULB | GLÖDLAMPA | LAMPPU | BEC |
| BUNDLE | KABELHÄRVA | KEILA | FASCICUL |

| English | Svenska | Suomi | Română |
|------------------------------|----------------------------------|-------------------------------------|--------------------------------|
| BUZZER | SUMMER | SUMMERI | BUZER |
| BUZZER | SIGNALHORN | MERKINANTOLAITE | AVERTIZOR SEMNALIZATOR |
| CABLE | KABEL | VAIJERI | CABLU |
| CABLE BUNDLE FLASHING LIGHTS | KABELHÄRVA, BLINKLJUS | VILKKUVALOJEN JOHDIN | |
| CABLE BUNDLE SENSOR | KABELHÄRVA, TRYCKGIVARE | ANTURIJOHDIN | |
| CABLE CLIP | FASTSÄTTNINGSKLÄMMA | LETKUNKIINNITIN | COLIER DE FIXARE |
| CANADA LABELS | DEKALER CANADA | ETIKETTI KANADA | |
| CARTRIDGE | INSATS | KASETTI | CARTUS |
| CARTRIDGE BALANCING VALVE | BALANSVENTIL I KASSETT | KASETTIMAINEN TASAPAINOTUSVENTTIILI | VALVA DE ECHILIBRARE IN CARTUS |
| CASING | HUS | KOTELO | CARTER |
| CENTRE GEAR | MITTDREV | KESKIHAMMASPYÖRÄ | ANGRENAJ CENTRAL |
| CENTRING PAD | CENTRERINGSFOT | KESKITYSJALAS | PATINA DE CENTRARE |
| CHAIN | KEDJA | KETJU | LANT |
| CHAIN (DOUBLE SERIES) | DUBBEL KLINGFLÄNS | KAKSOISARJAKAULUS | |
| CHAIN AND HOSES | KEDJA OCH SLANGAR | KAHLEHTIA JA JOUSTAVA | |
| CHASSIS BOX DRILLING | HÅL I CHASSISKÅP | ALUSTAN KAAPIN PORAUS | |
| CHASSIS BOX UNIT | CHASSISKÅPSENHET | ALUSTAN ARKKUKOKONAISUUS | |
| CHASSIS ELECTRICITY | ELEKTRICITET CHASSI | ALUSTAN SÄHKÖ | ELECTRICITATE SASIU |
| CIRCUIT SELECTOR SWITCH | KRETSVÄLJARE | VIRTAPIIRIVALITSIN | SELECTOR DE CIRCUIT |
| CLOSING SHEET | TÄCKPLÅT | SULKUPELTI | |
| COIL | SPOLE | KELA | BOBINA |
| COLLAR | KLAMMA | KIINNITIN | BANDA BRATARA COLIER |
| COMMON LABELS | GEMENSAMMA DEKALER | ETIKETTI ALHAINEN | |
| COMPENSATION INPUT CYLINDER | DOMKRAFT FÖR UTJÄMNINGSMOTTAGARE | KOMPENSOIVA VASTAANOTTOSYLINTERI | CRIC RECEPTOR DE COMPENSARE |
| COMPENSATION OUTPUT CYLINDER | DOMKRAFT FÖR UTJÄMNINGSSÄNDARE | KOMPENSOIVA LÄHETINSYLINTERI | CRIC EMITATOR DE COMPENSARE |
| COMPRESSION SPRING | TRYCKFJÄDER | PURISTUSJOUSI | ARC DE COMPRESIE |
| COMPUTER | STYRBOX | LASKIN | |
| CONNECTING ROD | LÄNK | KIERTOKANKI | |
| CONNECTING ROD AXLE | AXEL TILL LÄNKARM | TANGON AKSELI | |
| CONNECTING SOCKET | REDUCERING M-F JIC | M-J JIC-ALENNUS | |
| CONTACT BLOCK | HEL HUVUDEL | KOKO RUNKO | CORP COMPLET |

| English | Svenska | Suomi | Română |
|---|-------------------------------------|--------------------------------------|--|
| CONTACT SWITCH SUPPORT | KONTAKTFASTE | KYTKIMEN TUKI | SUPORT CONTACTOR |
| CONTACTOR | KONTAKTOR | KYTKIN | CONTACTOR |
| CONTROL PIN | STYRAXEL | OHJAUSAKSELI | AX DE COMANDA |
| COPPER SEAL | KOPPARPACKNING | KUPARITIIVISTE | GARNITURA CUPRU |
| COUNTERWEIGHT | MOTVIKT | VASTAPAINO | CONTRA-GREUTATE |
| COVER | LOCK | KANSI | CAPAC |
| COVER HINGE | GÄNGJÄRN TILL KÄPA | KANNEN SARANA | |
| DENMARK LABELS | DEKALER DANMARK | ETIKETTI TANSKA | |
| DETACHABLE CONICAL HUB | AVTAGBART KONISKT NAV | IRROTETTAVISSA OLEVA KARTIOKESKIÖ | |
| DEUTZ MOTOR | DEUTZ-MOTOR | AIHE DEUTZ | MOTOR |
| DIESEL MACHINE LABEL | ETIKETT "DIESELDRIVEN MASKIN" | DIESELÖLJYKONE TARRA | ETICHETA VEHICUL CU MOTORINA |
| DIFFERENTIAL CIRCUIT BREAKER | JORDFELSBRYTARE | DIFFERENTIAALIKATKAISIN | DISJUNCTOR (INTRERUPATOR) DIFERENTIAL |
| DIRECTION CENTRE PIN | MITTAXEL FÖR STYRNING | OHJAUKSEN KESKIAKSELI | AX CENTRAL DE DIRECTIE |
| DIRECTION LEVER | PITMANARM | OHJAUSVIPU | LEVIER DE DIRECTIE |
| DIRECTION PIVOT | STYRBULT | OHJAUSTAPPI | PIVOT DE DIRECTIE |
| DIRECTION REDUCER | REDUCERVÄXEL FÖR VAL AV RIKTNING | SUUNTAUKSEN HIDASTIN | REDUCTOR DE ORIENTARE |
| DISTRIBUTION MODULE | FÖRDELNINGSMODUL | JAKELUMODUULI | MODUL DE DISTRIBUTIE |
| DO NOT STAND LABEL | DEKAL "STÅ INTE PÅ MASKINEN" | TARRA "EI SAA ASETTAA" | ETICHETA "A NU DEPOZITA" |
| DOUBLE-AXIS CONTROLLER | MANIPULATOR 2 AXLAR | KYTKIN 2 AKSELIA | MANIPULATOR 2 AXE |
| DOUBLE-POLE TOGGLE SWITCH | TVÄPOLIG STRÖMBRYTARE MED SPAK | KAKSINAPAINEN VIPUKYTKIN | INTRERUPATOR BIPOLAR LA LEVIER |
| DRAINAGE PLUG | AVTAPPNINGSPLUGG | TYHJENNYSTULPPA | BUSON DE SCURGERE |
| ELECTICITY CUPBOARD SUPPORT | FÄSTE ELDOOSA | SÄHKÖKAAPIN TUKI | |
| ELECTRIC PUMP CONTACT SWITCH FITTING | MONTERING ELPUMPSKONTAKT | BERG ASETTUA YHTEYTEEN | |
| ELECTRICAL CABINET | KOPPLINGSDOOSA | SÄHKÖKOTELO | CUTIE ELCTRICA |
| ELECTRICITY | ELEKTRICITET | SÄHKÖ | ELECTRICITATE |
| ELECTROPUMP UNIT | ELPUMPSAGGREGAT | SÄHKÖPUMPPUKONEISTO | GRUP ELECTRO-POMPA |
| ELECTROVALVE BUNDLE | KABELHÄRVA MAGNETVENTIL | Sähköventtiilijohdin | |
| EMPTYING AND FILLING | TÖMNING OCH PÅFYLLNING | TYHJENNYYS JA TÄYTTÖ | GOLIRE SI UMLERE |

| English | Svenska | Suomi | Română |
|---------------------------|------------------------|-------------------------------------|----------------------------|
| ENGINE UNIT | MOTORAGGREGAT | MOOTTORIKONEISTO | GRUP MOTOR |
| EQUAL T-PIECE JIC | JÄMN T-KOPPLING JIC | SAMANARVOINEN T-KAPPALE JIC | |
| EXHAUST | AVGAS | POISTO | ESAPAMENT |
| EXPLOSION RISK LABEL | | | |
| FILLING PLUG | PÄFYLLNINGSLOCK | TÄYTTÖTULPPA | BUSON DOP GURA DE UEMPLERE |
| FILTER ELEMENT | FILTERINSATS | SUODATTAVA ELEMENTTI | ELEMENT FILTRANT |
| FILTER SUPPORT | FILTERSTÖD | SUODATINTUKI | |
| FINLAND LABELS | FINLÄNDSKA DEKALER | ETIKETIT SUOMI | ETICHETE FINLANDA |
| FIXING PLATE | FÄSTPLATTA | KIINNITYSLAATTA | PLACA DE FIXARE |
| FLAP ELECTROVALVE | MAGNETVENTIL | SAHKOOHJATTU VENTTIILI LÄPÄLLÄ | |
| FLASHING LIGHT | BLINKLJUS | VILKKUVALO | SEMNAL LUMINOS |
| FLAT WASHER | FLAT BRICKA | LITTEÄ LAATTA | SAIBA PLATA |
| FLAT-END SCREW | SKRUV MED PLATT YTA | MATALAPÄÄRUUVI | |
| FLEXIBLE | SLANG | LETKU | FLEXIBIL |
| FLEXIBLE PIN | ELASTISK PINNE | ELASTINEN KOURU | |
| FLOOR HEIGHT + LOAD LABEL | DEKAL, GOLVHÖJD + LAST | ETIKETTI POHJAN KORKEUS + KUORMA | |
| FLOOR HEIGHT + LOAD LABEL | DEKAL, GOLVHÖJD + LAST | ETIKETTI POHJAN KORKEUS + KUORMA | |
| FLOW DIVIDER | FLÖDESEDELARE | VIRTAUKSEN JAKAJA | DIVIZOR DE DEBIT |
| FOAM FILLING | PÄFYLLNING AV SKUM | VAAHTOTÄYTTÖ | |
| FRAME COWLING | HUV FÖR CHASSI | RUNGON SUOJAKOTELO | RASTURNARE SASIURI |
| FRANCE LABELS | DEKALER FRANKRIKE | ETIKETTI RANSKA | |
| FUEL TANK | BRÄNSLETANK | POLTTOAINESÄILIÖ | REZERVOR DE CARBURANT |
| FUSE | SÄKRING | SULAKE | FUZIBIL |
| FUSE HOLDER | SÄKRINGSHÄLLARE | SULAKKEEN PIDIKE | PORT-FUZIBIL |
| GAITER | DAMASK | PALJE | BURDUF |
| GANTRY ASSY. | PLATTFORMSENHET | MOOTTORIKEHILÖT | ANSAMBLU NACELA |
| GANTRY DRILLING | GENÖMBORRNING AV LÅDA | KOTELON PORAUS | GAURIRE COFRET |
| GAS SPRING | GASFJÄDER | KAASUJOUSI | ARC PENTRU GAZ |
| GB LABELS | BRITTIKA DEKALER | ETIKETIT GB | ETICHETE GB |
| GENERATOR | GENERATOR | GENERAATTORI | GENERATOR |
| GREEN ARROW | GRÖN PIL | VIHREÄ NUOLI | SAGEATA VERDE |
| GREEN INDICATOR LIGHT | GRÖN KONTROLLAMPA | VIHREÄ MERKKIVALO | BEC DE SEMNALIZARE VERDE |

| English | Svenska | Suomi | Română |
|------------------------------------|-------------------------------|--------------------------------------|---------------------------------------|
| GROMMET | KABELGENOMFORING | LANKAPUTKI | ORIFICIU PENTRU FIR |
| GUIDE PLATE | STYRPLÅT | OHJAUSPELTI | TABLA DE GHIDAJ |
| HANDLE | HANDTAG | KAHVA | ARTICULATIE |
| HARNESS FIXING PART | FASTSÄTTNING AV SELEN | VALJAIDEN KIINNITYS | FIXARE A TRANSMISIEI CU ROTI DINTATE |
| HEAD | HUVUD | PÄÄ | CAP |
| HEX CAP SCREW | SKRUV MED GROPIG YTA | RUUVI MALJAPÄÄ | |
| HOLDER | FÄSTE | TUKI | SUPPORT |
| HOLLAND LABELS | NEDERLÄNDSKA DEKALER | ETIKETIT HOLLANTI | ETICHETE OLANDA |
| HOSE PROTECTIVE PLATE | SKYDDSPÅT SLANG | Letkusuojalevy | |
| HOUR RECORDER | TIMMÄTÄRE | KELLOMITTA | VITEZOMETRU |
| HUB | NAV | NAPA | BUTUC |
| HYDRAULIC + ELECTRIC ROTATING SEAL | HYDRAULISK+ELEKTRISK SVÄNGFOG | KÄÄNTYVÄ HYDRAULI+SÄHKÖTIIVISTE | ÎNCHIDERE HIDRAULICA + ELECTRICA |
| HYDRAULIC COOLER | HYDRAULISK AVKYLNINGSAPPARAT | HÄVYTÖN KOHOTA KORKEALLE HYDRAULINEN | |
| HYDRAULIC PUMP | HYDRAULPUMP | HYDRAULINEN PUMPPU | POMPA HIDRAULICA |
| HYDRAULIC REFRIGERANT | HYDRAULISK KYLANLÄGGNING | | |
| HYDRAULIC RESERVOIR | HYDRAULBEHÅLLARE | HYDRAULINEN SÄILIÖ | REZERVOR PENTRU INSTALATIA HIDRAULICA |
| HYDRAULIC TUBE | HYDRAULRÖR | HYDRAULIIKKAPUTKI | TUB(CONDUCTA) HIDRAULICA |
| HYDRAULIC UNIT SUPPORT PLATE | FÄSTPLÅT HYDRAULSYSTEM | Hydraulielementin tukilevy | |
| HYDRAULICS | HYDRAULISK | HYDRAULIIKKA | HIDRAULIC |
| INDICATOR | INDIKATOR | OSOITIN | INDICATOR |
| INPUT PLATE | INGÅNGSPÅTTA | SISÄÄNTULOLAATTA | PLACA DE INTRARE |
| INTERMEDIARY COLLAR | MELLANRING | Välikiinnitin | |
| INTERNAL COMBUSTION ENGINE | FÖRBRÄNNINGSMOTOR | LÄMPÖMOOTTORI | MOTOR TERMIC |
| ITALY LABELS | DEKALER ITALIEN | ETIKETTI ITALIA | |
| JIB + PLATFORM | PENDELAXEL + KORG | HEILURIVARSI + KORI | PENDULAR + NACELA |
| JIB ASSEMBLY | JIBBENHET | RIIPPUJÄRJESTELMÄ | ANSAMBLU PENDULAR |
| JIB LINK PART | PENDELARMENS KOPPLINGSSTYCKE | HEILURIMAINEN LIITOSKAPPALE | PIESA DE LEGATURA OSCILANTA |
| JIC NUT | | JIC -MUTTERI | |
| KEY | NYCKEL | Avain | |
| LABELS | ETIKETTER | | ETICHETE |

| English | Svenska | Suomi | Română |
|-------------------------------|----------------------------|-------------------------------|---------------------------------|
| LEFT TOP COVER | OVRE VANSTER HUV | VASEN YLASUOJUS | CARCASA SUPERIOARA STANGA |
| LEFT TUBULAR FRAME | VANSTER RÖRRAM | VASEN PUTKIKEHYS | CADRU TUBULAR STANGA |
| LEFT WHEEL | VANSTER HJUL | VASEN PYÖRÄ | ROATA STINGA |
| LENGTH SENSOR | LÄNGDGIVARE | Pituusanturi | |
| LEVEL | NIVÅ | KORKEUS | NIVEL |
| LEVER-OPERATED SEALED LATCH | TÄT SPÄRRHAKE MED SPAK | VIVUN TIIVISTYSSALPA | ZAVOR ETANSARE LA LEVIER |
| LIFT CYLINDER | DOMKRAFT FÖR LYFTNING | NOSTOSYLINTERI | CRIC DE RIDICARE |
| LIFTING BEAM | LYFTBOM | RIPUSTUSPALKKI | PALONIER |
| LIGHT | KONTROLLAMPA | MERKKIVALO | VAZATOR |
| LINK PIECE | FÖRBINDELSEDEL | LIITOSOSA | PIESA DE LEGATURA |
| LOAD ON ONE WHEEL | BELASTNING PÅ 1 HJUL | KUORMA YHDELLÄ PYÖRÄLLÄ | ÎNCARCATURA PE O ROATA |
| LOCK NUT | LÄSMUTTER | LUKITUSMUTTERI | CONTRA-PIULITA |
| LOGO | GRAFISK FRAMSTÄLLNING | GRAAFINEN | GRAFIC |
| LOWER COLLAR | NEDRE RING | Sisäkiinnitin | |
| LUGGED COLLAR | VINGKLÄMMA | KAULAIN KORVAKKEELLA | COLIER CU URECHE |
| MALE BEND 90 JIC | ARMBÄGE HANNE 90° JIC | UROSKULMA 90° JIC | |
| MALE UNION PIECE JIC | ANSLUTNING AV HANTYP JIC | UROSLIITOS JIC | |
| MALE UNION PIECE ORFS | ANSLUTNING AV HANTYP ORFS | UROSLIITOS ORFS | |
| MANUFACTURER'S PLATE | TILLVERKARSKYLTT | RAKENNUSLEVY | PLACA DE BAZA/ CONSTRUCTOARE |
| MECHANICAL GENERATOR SUPPORT | FÄSTE MEK GENERATOR | MEKAANISEN GENERAATTORIN TUKI | |
| MINIMESS TAP | MINIMESS-UTTAG | MINIMESS-OTTO | PRIZA MINIMESS |
| MOTOR | MOTOR | MOOTTORI | MOTOR |
| MOTOR GUIDING AXLE | DRIV- OCH STYRAXEL | VETOAKSELI | OSIE MOTO-CONDUCATOARE |
| MOTOR KIT | MOTORSATS | MOOTTORIPAKKAUS | |
| MOUNTING OF POWER SUPPLY UNIT | MONTERING AV GENERATOR | GENERAATTORIN ASENNUS | |
| MUSHROOM-HEADED BUTTON | HANDTRYCKKNAPP | HÄTÄPAINIKE | BUTON DE PORNIRE |
| NOTCHED CONNECTION | TANDADE ANSLUTNINGSSTYCKEN | LOVETTU LIITOSKAPPALE | RACORD CU COLIER DE STRANGERE |
| NUT | MUTTER | MUTTERI | PIULITA |
| OIL LEVEL | ÖLJENIVÅ | ÖLJYNPINNAN KORKEUS | NIVEL DE ULEI |
| ONE-WAY VALVE | BAKSLAGSVENTIL | PALAUTUKSENESTOLÄPPÄ | CLAPETA ANTI - RETUR |
| OPERATOR'S MANUAL | EG-MANUAL | KÄSIKIRJA CE | MANUAL CE |

| English | Svenska | Suomi | Română |
|---------------------------|--------------------------------------|--|--------------------------------|
| OPERATOR'S MANUAL | ANVÄNDARHANDBOK | KAYTTAJAN OHJEKIRJA (OPERATOR'S MANUAL) | |
| OPTION | TILLVAL | VAIHTOEHTO | OPTIUNE |
| O-RING | O-RING | O-RENGASTIIVISTE | MANSETA DE ROTATIE |
| PACKING BOX | PACKBOX | HIDASTIN | PRESARE GARNITURA |
| PAD | GLIDYTA | LUISTIN | PATINA |
| PAD/CASE | FOT/CHASSI | | |
| PANEL BUNDLE | KABELHÄRVA KONTROLLPANEL | Ohjauspöytäjohdin | |
| PENDULAR RAISING CYLINDER | DOMKRAFT FÖR LYFTNING AV SVÄNGARM | VÄRÄHTELEVÄ NOSTOSYLINTERI | CRIC DE RIDICARE PENDULAR |
| PERMITTED LOAD LABEL | ETIKETT ”TILLÅTEN LAST” | KUORMA SALLITTU TARRA | ETICHETA SARCINA ADMISIBILA |
| PILOTED VALVE | STYRD VENTIL | OHJATTU LAPPÄ | SUPAPA PILOTATA |
| PIN | AXEL | AKSELI | AX |
| PIN COVER | BULTHUV | AKSELIN SUOJAKUPU | CAP DE AXA |
| PISTON | KOLV | MÄNTÄ | PISTON |
| PLASTIC SPIRAL HOSE | FLEXIBEL PLASTSPIRAL | JOUSTAVA MUOVISPIRAALI | SPIRALA PLASTIC SUBTIRE |
| PLATE | PLATTA | LAATTA | PLACA |
| PLATE | BRICKA | LEVY | PLACHETA |
| PLATFORM CABINET | KOPPLINGSDOSA FÖR PLATTFORM | KEHILÖKOTELO | CUTIE NACELA |
| PLATFORM CONTROL PANEL | MANÖVERPANEL KORG | MOOTTORIVAUNUKORIN OHJAUSPÖYTÄ | PUPITRU NACELA |
| PLUG | PLUGG | TULPPA | DOP, CAPAC INSURUBAT, BUSON |
| PLUG SOCKET | UTTAG | OTTO | PRIZA |
| PORTUGAL LABELS | PORTUGISISKA DEKALER | ETIKETIT PORTUGAL | ETICHETE PORTUGALIA |
| POSITION SWITCH | LÄGESBRYTARE | ASEMOINTIKYTKIN | INTRERUPATOR DE POZITIE |
| POSITION SWITCH | LÄGESBRYTARE | ASEMOINTIKYTKIN | INTRERUPATOR DE POZITIE |
| POSITION VALVE | ÅTERFÖRSÄLJARE | VIRRANJAKAJA | DISTRIBUITOR |
| POWER JIB | ELSYSTEM, UTLIGGARE | PUOMIN SÄHKÖ | |
| POWER SUPPLY KIT | GENERATORSATS | GENERAATTORIPAKKAUS | |
| POWER SWITCH | EFFEKTKONTAKT | TEHOKOSKETIN | |
| PRESSURE FILTER | TRYCKFILTER | PAINESUODATIN | FILTRE DE PRESIUNE |
| PRESSURE LIMITER | TRYCKBEGRÄNSARE | PAINEEN RAJOITIN | LIMITATOR DE PRESIUNE |

| English | Svenska | Suomi | Română |
|--------------------------------------|------------------------------------|---|-------------------------------------|
| PRESSURE SENSOR | TRYCKFÄNGARE | PAINĒANTURI | |
| PROTECTIVE COVER | SKYDDSKÅPA | NAISEN LAKKI JOKSEENKIN LUONNONSUOJELU | |
| PROTECTIVE GRID | SKYDDSGALLER | SUOJARISTIKKO | |
| PROTECTIVE PLATE | SKYDDSPLÅT | SUOJALAATTA | PLACA DE PROTECTIE |
| PULLEY 1 GROOVE | REMSKIVA 1 SPÅR | VÄKIPYÖRÄ 1 KOURU | |
| PVG SUPPORT | SUPPORT PVG | PVG-TELINE | |
| RADIATOR SUPPORT | KYLARFASTE | Patterialusta | |
| RAISING CYLINDER | DOMKRAFT FÖR LYFTNING | NOSTOSYLINTERI | CRIC DE RIDICARE |
| RANGE LIMITER CONTACT SWITCH | KONTAKTOR FÖR RÄCKVIDDSBEGRÄNSNING | ULOTTUMAN RAJOITINKYTKIN | CONTACTOR LIMITATOR RAZA DE ACTIUNE |
| RED ARROW | RÖD PIL | PUNAINEN NUOLI | SAGEATA ROSIE |
| RED LIGHT INDICATOR | RÖD KONTROLLAMPA | MERKKIVALO PUNAINEN | BEC DE SEMNALIZARE ROSU |
| REDUCER | REDUCERVÄXEL | HIDASTIN | REDUCTOR |
| REDUCER PACKING BOX | REDUCERANDE PACKBOX | HOLKKITIIVISTEEN HIDASTIN | PRESARE GARNITURA REDUCTOR |
| REDUCTION | REDUCERING | HIDASTIN | REDUCTIE |
| REGULAR ORIENT. TEE CONNECTION (JIC) | RIKT. T-STYCKE, JÄMNT JIC | SUUNTAHAROITUS JIC-TASAUS | |
| RELAY | RELÄ | RELE | RELEU |
| RESERVOIR | TANK | SÄILIÖ | REZERVOR |
| RETAINING BRACKET | FÄSTKRAMPA | KIINNITYSHAKA | SUPORT DE FIXARE |
| REV. ORIENT. TEE CONNECTION (JIC) | RIKT. T-STYCKE, OMV. JIC | SUUNTAHAAROITUS JIC-KIEPPAUS | |
| REVOLVING JOINT | BÖJD FOG | KIERTÄVÄ NIVEL | |
| RFA LABELS | DEKALER RFA | ETIKETIT RFA | ETICHETE RFA |
| RIGHT TOP COVER | ÖVRE HÖGER HUV | OIKEA YLÄSUOJUS | CARCASA SUPERIOARA DREAPTA |
| RIGHT WHEEL | HÖGER HJUL | OIKEA PYÖRÄ | ROATA DREAPTA |
| RIGHT-HAND STANDARD LUBRICATOR | SMÖRJARE STANDARD RAK | OIKEA VAKIORASVAIN | |
| RIM | FÄLG | VANNE | JANTA |
| RING | RING | RENGAS | BUCSA |
| ROLLING FRAME | RULLCHASSI | PYÖRIVÄ RUNKO | SASIU RULANT |
| ROTARY CYLINDER / JACK | ROTANDE CYLINDER | KIERTONOSTIN | |
| ROTATING JOINT CABLING | KABLAGE VRIDFOG | KYTKENTÄ - PYÖRÖTIIVISTE | |

| English | Svenska | Suomi | Română |
|---------------------------|---------------------------------------|---|-------------------------------------|
| RUBBER WASHER | FJADERBRICKA | JOUSTOLAATTA | SAIBA ELASTICA |
| SAFETY ON PLUG | SÄKERHETSANORDNING PÅ LOCK | TULPAN TURVAMEKANISMI | SIGURANTA PE BUSON |
| SCREW | SKRUV | RUUVI | SURUB |
| SCREW COLLAR | SKRUVKRAGE | RUUVIKAULAIN | COLIER CU SURUB |
| SCREWED VALVE | SKRUVAD VENTIL | RUUVIVENTTIILLI | VENTIL INSURUBAT |
| SEAL | TÄCKPLÅT | SULJIN | OBTURATOR |
| SEAL | PACKNING | TIIVISTE | GARNITURA |
| SEALING RING | TÄTNINGSLIST | TIIVIS LIITOS | MANSETA DE ETANSARE |
| SELF-LOCKED NUT | SJÄLVVLÅSANDE MUTTER | ITSEJARRUTTAVA MUTTERI | PIULITA CU AUTOFRINARE |
| SELF-STOPPING METAL NUT | SJÄLVVLÅSANDE METALLMUTTER | METALLINEN ITSEJARRUTUSMUTTERI | |
| SEMI-FLANGE | HALVBRO | PUOLILAIPPA | |
| SENSOR | GIVARE | ANTURI | CAPTATOR |
| SENSOR MAGNET | MAGNET FÖR SENSOR | ANTURIMAGNEETTI | |
| SENSOR SUPPORT | STÖDFÄNGARE | ANTURITUKI | |
| SILENTBLOC | SILENTBLOCK | KUMINIVEL | AMORTIZOR DE ZGOMOT |
| SINGLE-AXIS CONTROLLER | MANIPULATOR 1 AXEL | KYTKIN 1 AKSELI | MANIPULATOR 1 AXA |
| SINGLE-POLE TOGGLE SWITCH | INTERRUPTEUR UNIPOLAIRE À MED SPAK | VIVULLA VARUSTETTU YKSINAPAINEN KYTKIN | INTRERUPATOR UNIPOLAR LA LEVIER |
| SINTERED DISC | SINTRAD SKIVA | SINTRATTU LEVY | DISC FRETAT |
| SLEEVE | SKARVMUFF | HOLKKI | MANSON |
| SLEW RING | RIKTNINGSKRANS | SUUNTAUKSEN HAMMASKEHÄ | COROANA DE ORIENTARE |
| SLIDING BAR | SKJUTBAR STÄNG | LUISTINTANKO | |
| SLOTTED SCREW | KLUVEN SKRUV | HALKAISTU RUUVI | |
| SMOOTH MALE SLOT | SLÅT YTTERKÄPA | SILEÄ UROSSUOJUS | PLACA NETED |
| SNIFFER | SNYFTVENTIL | HUOHOTIN | RECIPIENT (BUTELIE) PENTRU AER |
| SOCKET | HYLSA | HOLKKI | DULIE, SOCLU |
| SOLENOID VALVE | MAGNETVENTIL | SÄHKÖVENTTIILI | ELECTRO-VALVA |
| SPAIN LABELS | SPANSKA DEKALER | ETIKETIT ESPANJA | ETICHETE SPANIA |
| SPARE FUSE HOLDER | SÄKRINGSHÅLLARE, RESERV | Sulakesuojan vaihto | |
| SPARE PARTS CATALOGUE | RESERVDELSKATALOG | LUETTELO PR | CATALOG |
| SPIRAL RING | SPIRALFORMAD RING | KIERRERENGAS | INEL SPIRALA |
| SPOOL | FÖRDELNINGSSLID | JAKELULAATIKKO | SERTAR DE DISTRIBUTIE |
| SPRING | FJÄDER | UJOUSI | RESORT-ARC |

| English | Svenska | Suomi | Română |
|------------------------------------|-----------------------------|--------------------------------------|------------------------------------|
| STANDARD LUBRICATOR 45 | SMORJARE STANDARD 45° | VAKIORASVAIN 45° | |
| STEEL DISC | STÅLSKIVA | TERÄSLEVY | PLACA DE OTEL |
| STEERING BAR | LÄNKSTÄNG | OHJAUSTANKO | BARA DE DIRECTIE |
| STEERING CYLINDER | STYRNINGSDOMKRAFT | OHJAUSSYLINTERI | CRIC DE DIRECTIE |
| STEERING PIN SLOT | AXEL FÖR STYRKÅPA | OHJAUKSEN SUOJUSAKSELI | AX CAP DE DIRECTIE |
| STOP PLATE | LÄSVERKTYG | PIDÄTYSLEVY | PLACHETA OPRITOR |
| SUB-FRAME | CHASSI | RUNKO | |
| SUPPORT LOWER ARM PIN | AXEL, FÄSTE UNDRE ARM | Alustan sisäpuomiakseli | |
| SUPPORT LUG | FÄSTSTAG | KIINNITYSLEVY | MASA SUPORT COMANDA DE PRIM AJUTOR |
| SUPPORT UPPER ARM PIN | AXEL, FÄSTE ÖVRE ARM | Alustan yläpuomiakseli | |
| SWEDEN LABELS | DEKALER SVERIGE | ETIKETTI RUOTSI | |
| TANK FIXTURE | TANKFÄSTE | Säiliön kiinnitys | |
| TELESCOPE | TELESKOP | TELESKOOPPI | |
| TELESCOPE RETRACTED CONTACT SWITCH | KONTAKT FÖR TELESKOPRETUR | TELESKOOPPIVARREN SISÄÄNVEDON KYTKIN | CONTACTOR RETUR TELESCOP |
| TELESCOPIC ACTION JACK | DOMKRAFT FÖR SAMMANDRAGNING | TELESKOOPISYLINTERI | CRIC DE LEGATURA TELESCOPICA |
| TELESCOPIC BOOM | TELESKOPIK KRANARM | TELESKOOPPIPUOMI | SAGEATA (BRAT) TELESCOPIC |
| THERMAL SWITCH | TERMOKONTAKTOR | LÄMPÖKOSKETIN | TERMO CONTACTOR |
| THIN NUT | NEDRE MUTTER | ALAMUTTERI | PIULITA JOS |
| THREADED ROD | GÄNGAD STÄNG | KIERREVARSI | TIJA FILETATA |
| TILT | LUTNING | KALTEVUUS | INCLINARE |
| TIRE | DÄCK | RENGAS | PNEU |
| TOOTH LOCK WASHER | TANDAD LÄSBRICKA | HAMMASLAATTA | INEL DINTAT |
| TRUNKING | RÖR | KOURU | PALNIE |
| TURN KNOB HEAD | HUVUD PÅ VRIDKNAPP | PYÖRÖNAPIN PÄÄ | CAP DE BUTON ROTATIV |
| TURNTABLE BOX | CHASSISKÅP | KÄÄNTÖTORNIKAAPPI | LACAS TURELA |
| TURNTABLE ELECTRICITY | ELEKTRICITET CHASSI | ALAVAUNUN SÄHKÖ | ELECTRICITATE TURELA |
| TURNTABLE LOWER ARM PIN | AXEL, UNDRE ARM TORN | Tornin sisäpuomiakseli | |
| TURNTABLE UPPER ARM PIN | AXEL, ÖVRE ARM TORN | Tornin yläpuomiakseli | |
| TURRET | SVÄNGSKIVA | TORNI | TURELA |
| TURRET COWLING | HUV FÖR SVÄNGSKIVA | TORNIN SUOJAKOTELO | RASTURNARE TURELA |
| TURRET CUT-OFF | AVSTÄNGNING AV SVÄNGSKIVA | TORNIN VIRRANKATKAISU | TAIETURA-DECUPARE TURELA |
| TURRET SUB-FRAME | CHASSI, SVÄNGSKIVA | TORNIRUNKO | |

| English | Español | Italiano | Português |
|---------|---------|----------|-----------|
| | | | |